

PHILIPS

**DATA
HANDBOOK**



**ELECTRONIC COMPONENTS
AND MATERIALS**

ELECTRON TUBES

PART 2 MARCH 1971

**Tubes for Microwave
equipment**

ELECTRON TUBES

Part 2

March 1971

General section

Communication magnetrons

Magnetrons for micro-wave heating

Klystrons, high power

Klystrons, medium and low power

Travelling-wave tubes

Diodes

Triodes

T-R Switches

Appendix

DATA HANDBOOK SYSTEM

To provide you with a comprehensive source of information on electronic components, subassemblies and materials, our Data Handbook System is made up of three series of handbooks, each comprising several parts.

The three series, identified by the colours noted, are:

ELECTRON TUBES (9 parts)	BLUE
SEMICONDUCTORS AND INTEGRATED CIRCUITS (5 parts)	RED
COMPONENTS AND MATERIALS (5 parts)	GREEN

The several parts contain all pertinent data available at the time of publication, and each is revised and reissued annually; the contents of each series are summarized on the following pages.

We have made every effort to ensure that each series is as accurate, comprehensive and up-to-date as possible, and we hope you will find it to be a valuable source of reference. You will understand that we can not guarantee that all products listed in any one edition of the handbook will remain available, or that their specifications will not be changed, before the next edition is published. If you need confirmation that the published data about any of our products are the latest available, may we ask that you contact our representative. He is at your service and will be glad to answer your inquiries.

ELECTRON TUBES (BLUE SERIES)

This series consists of the following parts, issued on the dates indicated.

Part 1 Transmitting tubes (Tetrodes, Pentodes)	Associated accessories	January 1971
Part 2 Tubes for microwave equipment		March 1971
Part 3 Special Quality tubes	Miscellaneous devices	March 1970
Part 4 Receiving tubes		April 1971
Part 5 Cathode-ray tubes Photo tubes Camera tubes	Photoconductive devices Associated accessories	May 1970
Part 6 Photomultiplier tubes Scintillators Photoscintillators	Radiation counter tubes Semiconductor radiation detectors Neutron generator tubes Associated accessories	June 1970
Part 7 Voltage stabilizing and reference tubes Counter, selector, and indicator tubes Trigger tubes Switching diodes	Thyratrons Ignitrons Industrial rectifying tubes High-voltage rectifying tubes	July 1970
Part 8 T. V. Picture tubes		August 1970
Part 9 Transmitting tubes (Triodes) Tubes for R. F. heating (Triodes)	Associated accessories	January 1971

January 1971

SEMICONDUCTORS AND INTEGRATED CIRCUITS (RED SERIES)

This series consists of the following parts, issued on the dates indicated.

Part 1 Diodes and Thyristors

September 1970

General
Signal diodes
Tunnel diodes
Variable capacitance diodes
Voltage regulator diodes

Rectifier diodes
Thyristors, diacs, triacs
Rectifier stacks
Accessories
Heatsinks

Part 2 Low frequency; Deflection

October 1970

General
Low frequency transistors (low power)
Low frequency power transistors

Deflection transistors
Accessories

Part 3 High frequency; Switching

November 1970

General
High frequency transistors

Switching transistors
Accessories

Part 4 Special types

December 1970

General
Transmitting transistors
Microwave devices
Field effect transistors
Dual transistors
Microminiature devices for
thick- and thin-film circuits

Beam lead devices for
thick- and thin-film circuits
Photo devices
Accessories

Part 5 Integrated Circuits

March 1971

General
Digital integrated circuits
DTL (FC family)
TTL (FJ family)
MOS (FD family)

Linear integrated circuits

COMPONENTS AND MATERIALS (GREEN SERIES)

This series consists of the following parts, issued on the dates indicated.

Part 1 Circuit Blocks, Input/Output Devices

September 1970

Circuit blocks 100 kHz Series
Circuit blocks 1-Series
Circuit blocks 10-Series
Circuit blocks 20-Series
Circuit blocks 40-Series
Counter modules 50-Series
Norbits 60-Series, 61-Series

Circuit blocks 90-Series
Circuit blocks for ferrite core
memory drive
Input/output devices

Part 2 Resistors, Capacitors

December 1970

Fixed resistors
Variable resistors
Non-linear resistors
Ceramic capacitors

Polyester, polycarbonate, polystyrene,
paper capacitors
Electrolytic capacitors
Variable capacitors

Part 3 Radio, Audio, Television

February 1971

FM tuners
Coils
Piezoelectric ceramic resonators
and filters
Loudspeakers
Audio and mains transformers

Television tuners
Components for black and white television
Components for colour television
Deflection assemblies for camera tubes

Part 4 Magnetic Materials, White Ceramics

April 1971

Ferrites for radio, audio and television
Ferrocube potcores and square cores
Small coils, assemblies
and assembling parts

Ferrocube transformer cores
Piezoxide
Permanent magnet materials

Part 5 Memory Products, Magnetic Heads, Quartz Crystals, Microwave Devices, Variable Transformers, Electro-mechanical Components

June 1970

Ferrite memory cores
Matrix planes, matrix stacks
Complete memories
Magnetic heads

Quartz crystal units, crystal filters
Isolators, circulators
Variable mains transformers
Electro-mechanical components

April 1971

Technology relating to the products described in this publication is shared by the following companies.

Argentina

FAPESA I.y.C.
Melincué 2594
Tel. 50-9941/8155
BUENOS AIRES

Australia

Philips Industries Ltd.
Miniwatt Electronics Division
20, Herbert St.
Tel 43-2171
ARTARMON, N.S.W.

Austria

WIVEG
Zieglergasse 6
Tel. 93 26 22
1072 WIEN

Belgium

M.B.L.E.
80, rue des Deux Gares
Tel. 23 00 00
1070 BRUSSELS

Brazil

IBRAPE S.A.
Av. Paulista, 2073-S/Loja
Tel. 93-5141
SAO PAULO

Canada

Philips Electron Devices
116, Vanderhoof Ave.
Tel. 425-5161
TORONTO 17, Ontario

Chile

Philips Chilena S.A.
Av. Santa Maria 0760
Tel. 39 40 01
SANTIAGO

Colombia

SADAPE S.A.
Calle 19, No.5-51
Tel. 422-175
BOGOTA D.E. 1

Denmark

Miniwatt A/S
Emdrupvej 115A
Tel. (01) 69 16 22
DK-2400 KØBENHAVN NV

Finland

Oy Philips A.B.
Elcoma Division
Kaivokatu 8
Tel. 10 915
HELSINKI 10

France

R.T.C.
La Radiotechnique-Compelec
Avenue Ledru Rollin 130
Tel. 797-99-30
PARIS 11

Germany

VALVO G.m.b.H.
Valvo Haus
Burchardstrasse 19
Tel. (0411) 33 91 31
2 HAMBURG 1

Greece

Philips S.A. Hellénique
Elcoma Division
52, Av. Syngrou
Tel. 915.311
ATHENS

Hong Kong

Philips Hong Kong Ltd.
Components Dept.
St. George's Building 21st F1.
Tel. K-42 82 05
HONG KONG

India

INBELEC Div. of
Philips India Ltd.
Band Box Building
254-D, Dr. Annie Besant Road
Tel. 45 33 86, 45 64 20, 45 29 86
Worli, BOMBAY 18 (WB)

Indonesia

P.T. Philips-Ralin Electronics
Elcoma Division
Djalan Gadjah Mada 18
Tel. 44 163
DJAKARTA

Ireland

Philips Electrical (Ireland) Pty.
Newstead, Clonskeagh
Tel. 69 33 55
DUBLIN 6

Italy

Philips S.p.A.
Sezione Elcoma
Piazza IV Novembre 3
Tel. 69 94
MILANO

Japan

NIHON PHILIPS
32nd Fl., World Trade Center Bldg.
5, 3-chome, Shiba Hamamatsu-cho
Minato-ku,
Tel. (435)5204-5
TOKYO

Mexico

Electrónica S.A. de C.V.
Varsovia No.36
Tel. 5-33-11-80
MEXICO 6, D.F.

Netherlands

Philips Nederland N.V.
Afd. Elonco
Boschdijk, VB
Tel (040) 43 33 33
EINDHOVEN

New Zealand

EDAC Ltd.
70-72 Kingsford Smith Street
Tel. 873 159
WELLINGTON

Norway

Electronica A/S
Middelthunggate 27
Tel. 46 39 70
OSLO 3

Peru

CADESA
Av. Abancay 1176
Ofs. 606-607
Tel. 7 73 17
LIMA

Portugal

Philips Portuguesa S.A.R.L.
Rua Joaquim Antonio de Aguiar 66
Tel. 68 31 21/9
LISBOA

South Africa

EDAC (Pty) Ltd.
P.O. Box 23131
Tel. 24/6701
JOHANNESBURG

Spain

COPRESA S.A.
Balmes 22
Tel. 2 32 03 00
BARCELONA 7

Sweden

ELCOMA A.B.
Lidingövägen 50
Tel. 08/67 97 80
10250 STOCKHOLM 27

Switzerland

Philips A.G.
Edenstrasse 20
Tel. 051/44 22 11
CH-8027 ZUERICH

Taiwan

Philips Taiwan Ltd.
Elcoma Div.
Plastic Building, 10th Fl.
No. 1, section 2, Nanking East Rd.
Tel. 55 97 42
TAIPEI

Turkey

Turk Philips Ticaret A.S.
EMET Department
Gümüşsuyu Cad. 78-80
Tel. 45.32.50
Beyoğlu, ISTANBUL

United Kingdom

Mullard Ltd.
Mullard House
Torrington Place
Tel. 01-580 6633
LONDON WC1E 7HD

United States

Amperex Electronic Corp.
Electron Tubes Div.
Tel. 516 WE 1-6200
HICKSVILLE N.Y.
Sem. and Microcircuits Div.
Tel. 401-762-9000
SLATERSVILLE R.I. 02876
Electronic Components Div.
Tel. 516-234-7000
HAUPPAGE N.Y.

Uruguay

Luzilectron S.A.
Rondeau 1567, piso 5
Tel. 9 43 21
MONTEVIDEO

Venezuela

C.A. Philips Venezolana
Elcoma Department
Colinas de Bello Monte
Tel. 72.01.51
CARACAS

General Section

List of symbols

Definitions

Waveguides

Rating system

TUBES FOR MICROWAVE EQUIPMENT

LIST OF SYMBOLS

1. Symbols denoting electrodes and electrode connections

Anode	a
Accelerator electrode	acc
Collector electrode	coll
Anode of a detection diode	d
Filament or heater	f
Filament or heater tap	f_c
Grid	g
Tube pin which must not be connected externally	i. c.
Cathode	k
Reflector electrode	refl
Resonator	res
Helical electrode	x

2. Symbols denoting voltages

Remarks

- a. In the case of indirectly heated tubes the voltages on the various electrodes are with respect to the cathode, in the case of directly heated, d. c. fed tubes with respect to the negative side of the filament, and in the case of directly heated, a. c. fed tubes with respect to the electrical centre of the filament, unless otherwise stated.
- b. The symbols quoted below represent the average values of the concerning voltages, unless otherwise stated.

Anode voltage	V_a
Anode voltage in cut-off or in cold condition	V_{a0}
Accelerator voltage	V_{acc}
Supply voltage of tube electrodes	V_b
Collector voltage	V_{coll}
Anode voltage of a detection diode	V_d

2. Symbols denoting voltages (continued)

Filament or heater voltage	V_f
Filament or heater starting voltage	V_{fo}
Grid voltage	V_g
A.C. input voltage	V_i
Ignition voltage (voltage necessary for breakdown to the concerning electrode)	V_{ign}
Inverse voltage	V_{inv}
Voltage between cathode and heater	V_{kf}
A.C. output voltage	V_o
Peak value of a voltage	V_p
Reflector voltage	V_{refl}
Resonator voltage	V_{res}
Voltage on helical electrode	V_x

3. Symbols denoting currentsRemarks

- The positive electrical current is directed opposite to the direction of the electron current.
- The symbols quoted below represent the average values of the concerning currents, unless otherwise stated.

Anode current	I_a
Accelerator current	I_{acc}
Collector current	I_{coll}
Current of a detection diode	I_d
Filament or heater current	I_f
Filament or heater starting current	I_{fo}
Peak filament or heater starting current	I_{fsurge}
Grid current	I_g
Cathode current	I_k
Peak value of a current	I_p
Resonator current	I_{res}
Current to helical electrode	I_x

4. Symbols denoting powers

Anode dissipation	W_a
Collector dissipation	W_{coll}
A. C. driving power	W_{dr}
Grid dissipation	W_g
Input power	W_i
D. C. anode supply power	W_{i_a}
Peak input power	W_{i_p}
Output power	W_o
Peak output power	W_{o_p}
Resonator dissipation	W_{res}

5. Symbols denoting capacitances

Measured on the cold tubes.

Capacitance between the anode and all other elements except the control grid	C_a
Capacitance between anode and grid (all other elements being earthed)	C_{ag}
Capacitance between anode and cathode (all other elements being earthed)	C_{ak}
Capacitance between the anode of a detection diode and all other elements of the diode	C_d
Capacitance between a grid and all other elements except anode	C_g
Capacitance between a grid and cathode (all other elements being earthed)	C_{gk}

6. Symbols denoting resistances

External a. c. resistance in anode lead or matching resistance	R_a
Filament or heater resistance in cold condition	R_{f_0}
External resistance in a grid lead	R_g
Internal resistance of a tube	R_i
External resistance in a cathode lead	R_k
External resistance between cathode and heater	R_{kf}

7. Symbols denoting various quantities

Bandwidth	B
Noise factor	F
Frequency	f
Pushing figure of a magnetron	$\frac{\Delta f}{\Delta I_a}$
Frequency temperature coefficient	$\frac{\Delta f}{\Delta t}$
Pulse repetition rate	f_{imp}
Pulling figure of a magnetron	Δf_p
Power gain	G
Height above sea level	h
Magnetic field strength	H
Pressure drop of cooling air or cooling water	P_i
Required air flow or water flow for cooling	q
Mutual conductance	S
Temperature of anode or anode block	t_a
Ambient temperature	t_{amb}
Averaging time of current or voltage	T_{av}
Inlet temperature of cooling air or cooling water	t_i
Pulse duration	T_{imp}
Time of rise of voltage	T_{rv}
Outlet temperature of cooling air or cooling water	t_o
Waiting time (= time which has to pass between switching on of the filament or heater voltage and switching on of the other voltages)	T_w
Rated of rise of voltage	$\frac{dV_a}{dT}, \frac{\Delta V}{\Delta T_{rv}}$
Voltage standing wave ratio	V.S.W.R.
Reflection coefficient	α
Duty factor	δ
Efficiency	η
Wavelength	λ
Amplification factor	μ

TUBES FOR MICROWAVE EQUIPMENT

DEFINITIONS

- B** Bandwidth
- $\Delta f/\Delta t$ The temperature coefficient $\Delta f/\Delta t$ is the change of frequency with temperature.
- f_{imp} Pulse repetition rate.
- Δf_p The pulling figure Δf_p is the difference between the maximum and minimum frequencies, reached when the phase angle of the load with a VSWR of 1.5 is varied from $0^\circ - 360^\circ$.
- H** Magnetic field strength.
- T_{imp} The pulse duration T_{imp} is defined as the time interval between the two points on the current pulse at which the current is 50% of the smooth peak current (see fig. 1).

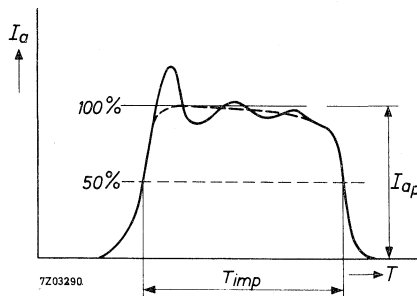


Fig. 1.
current pulse

The smooth peak is the max. value of a smooth curve through the average of the fluctuation over the top portion of the pulse.

- T_{rv} The time of rise of voltage T_{rv} is defined as the time interval between points of 20 and 85 percent of the smooth peak value measured on the leading edge of the voltage pulse.
- t_a Temperature of anode or anode block.
- V.S.W.R. The voltage standing-wave ratio in a waveguide is the ratio of the amplitude of the electrical field at a voltage maximum to that at an adjacent minimum.

DEFINITIONS

dV_a/dT
or
 $\Delta V_a/\Delta T_{rv}$ Unless otherwise stated the rate of rise of voltage dV_a/dT is defined by the steepest tangent to the leading edge of the voltage pulse above 80% of the smooth peak value (see Fig. 2)

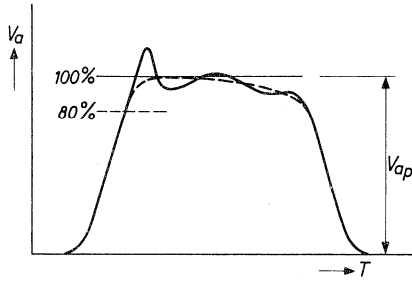


Fig. 2.
voltage pulse

V_{fo} Heater voltage before switching on of anode voltage. When the magnetron oscillates, not all electrons reach the anode. These off-phase electrons are driven back to the cathode. This back bombardment contributes to the heating power of the cathode. In order to maintain the total power to the cathode at the rated value, it is therefore in some cases necessary to reduce or even to switch off the heater voltage after application of high voltage.

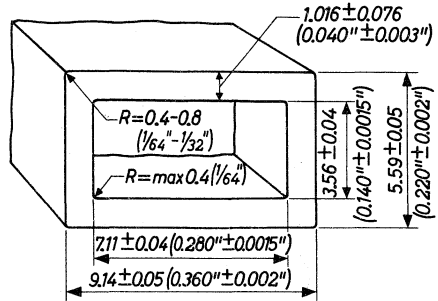
δ The duty factor δ is the ratio of the pulse duration to the time between corresponding points of two successive pulses.

$$\delta = T_{imp}(\text{sec}) \times f_{imp}(\text{Hz}).$$

WAVEGUIDES

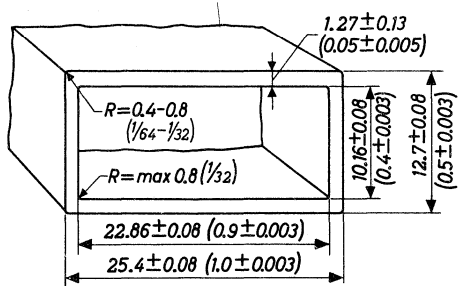
WAVEGUIDE RG-96/U

EIA designation WR 28
British designation WG 22



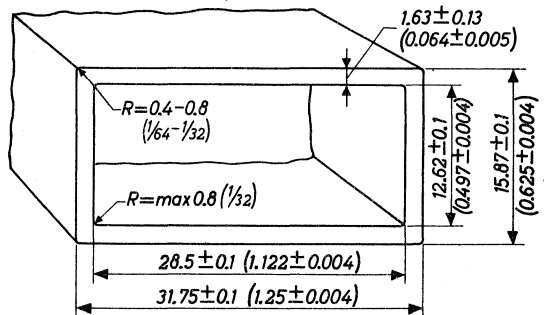
WAVEGUIDE RG-52/U

EIA designation WR 90
British designation WG 16



WAVEGUIDE RG-51/U

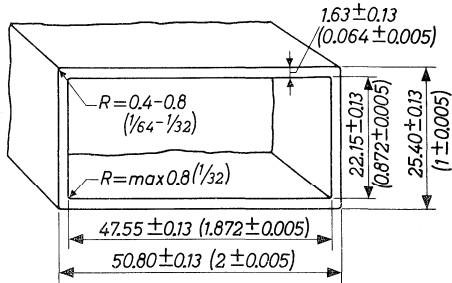
EIA designation WR 112
British designation WG 15



Dimensions in mm and in inches (between brackets)
The dimensions in inches are holding

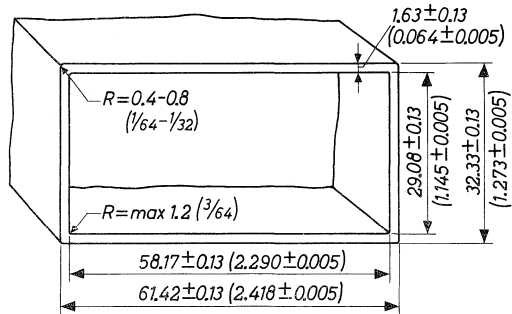
WAVEGUIDE RG-49/U

EIA designation WR 187
British designation WG12



WAVEGUIDE WR 229

(EIA designation)



Dimensions in mm and in inches (between brackets)
The dimensions in inches are holding

RATING SYSTEM

(in accordance with I.E.C. publication 134)

Absolute maximum rating system

Absolute maximum ratings are limiting values of operating and environmental conditions applicable to any electronic device of a specified type as defined by its published data, which should not be exceeded under the worst probable conditions.

These values are chosen by the device manufacturer to provide acceptable serviceability of the device, taking no responsibility for equipment variations, environmental variations, and the effects of changes in operating conditions due to variations in the characteristics of the device under consideration and of all other electronic devices in the equipment.

The equipment manufacturer should design so that, initially and throughout life, no absolute-maximum value for the intended service is exceeded with any device under the worst probable operating conditions with respect to supply voltage variation, equipment component variation, equipment control adjustment, load variations, signal variation, environmental conditions, and variations in characteristics of the device under consideration and of all other electronic devices in the equipment.

Communication Magnetrons

PULSED MAGNETRONS FOR COMMUNICATION

ABRIDGED SURVEY

Frequency range (MHz)	Output power, peak (kW)	Class	Type
1220 - 1350	450	Tunable	5J26
2700 - 2900	800	Tunable	5586
5400 - 5900	0.16	Tunable	YJ1030
8500 - 9600	60	Tunable	2J51A
8500 - 9600	225	Tunable	YJ1010
8500 - 9600	225	Tunable	YJ1011
9003 - 9085	250	Fixed freq.	55032/01
9085 - 9168	250	Fixed freq.	55032/02
9168 - 9260	250	Fixed freq.	55031/01
9190 - 9320	3	Fixed freq.	YJ1000
9210 - 9270	7.5	Fixed freq.	JP9-7A
9260 - 9345	250	Fixed freq.	55031/02
9345 - 9475	3	Fixed freq.	7028
9345 - 9405	7.5	Fixed freq.	2J42
9345 - 9405	10	Fixed freq.	JP9-7D
9345 - 9405	20	Fixed freq.	YJ1110
9345 - 9405	20	Fixed freq.	YJ1060
9345 - 9405	21	Fixed freq.	JP9-15
9345 - 9405	50	Fixed freq.	2J55
9345 - 9405	50	Fixed freq.	725A
9345 - 9405	50	Fixed freq.	YJ1200
9345 - 9405	80	Fixed freq.	6972
9345 - 9405	225	Fixed freq.	4J50
9345 - 9405	250	Fixed freq.	55030
9345 - 9405	80	Fixed freq.	4J52A
9380 - 9440	7	Fixed freq.	YJ1300
9380 - 9440	10	Fixed freq.	YJ1071
9380 - 9440	21	Fixed freq.	JP9-18
9380 - 9440	25	Fixed freq.	YJ1120
9405 - 9505	250	Fixed freq.	55029
9415 - 9475	4	Fixed freq.	JP9-2.5D
9415 - 9475	4	Fixed freq.	JP9-2.5E
9415 - 9475	20	Fixed freq.	YJ1111
9415 - 9475	21	Fixed freq.	JP9-15B
9415 - 9475	26	Fixed freq.	YJ1121

Frequency range (MHz)	Output power, peak (kW)	Class	Type
9415 - 9475	65	Fixed freq.	YJ1290
16350 - 16650	45	Fixed freq.	YJ1140
32700 - 33400	25	Fixed freq.	YJ1020
32700 - 33400	30	Fixed freq.	YJ1021
34512 - 35208	40	Fixed freq.	7093

C.W. MAGNETRON FOR COMMUNICATION

Frequency range (MHz)	Output power (kW)	Class	Type
9150 - 9600	0.01	Tunable	JPT9-01

GENERAL OPERATIONAL RECOMMENDATIONS MAGNETRONS

1. GENERAL

- 1.1 The following "Application Directions" apply in general to all types of magnetrons. Any deviations for a particular type will be indicated in the published data of the concerning type.
- 1.2 A magnetron is a cylindrical high-vacuum diode with a cavity resonator system embedded in the anode. In the presence of suitable crossed electric and magnetic fields the magnetron can be used for the generation of continuous-wave as well as pulsed signals in the higher frequency bands.
- 1.3 In practice the communication magnetrons comprise the pulsed type of magnetrons used as radar transmitter either at a fixed frequency or tunable over a frequency range.
- 1.4 The magnetron in a radar transmitter should not be looked upon as an independent unit. Owing to the interdependence of the characteristics of the magnetron and the associated circuitry the magnetron should rather be considered as an integral part of the whole system whose proper functioning depends on the degree the various sections are matched to each other.

2. LIMITING VALUES

2.1 General

Limiting values should be used in accordance with the absolute-maximum rating system. Each limiting value should be regarded independently of other values, so that under no circumstances it is permitted to exceed a limiting value whichever.

2.2 Absolute-maximum rating system

Absolute-maximum ratings are limiting values of operating and environmental conditions applicable to any electronic device of a specified type as defined by its published data, and should not be exceeded under the worst probable conditions.

These values are chosen by the device manufacturer to provide acceptable serviceability of the device, taking no responsibility for equipment variations, environmental variations, and the effects of changes in operating conditions due to variations in the characteristics of the device under consideration and of all other electronic devices in the equipment.

The equipment manufacturer should design so that, initially and throughout life, no absolute-maximum value for the intended service is exceeded with any de-

vice under the worst probable operating conditions with respect to supply voltage variation, equipment component variation, equipment control adjustment, load variation, signal variation, environmental conditions, and variations in characteristics of the device under consideration and of all other electronic devices in the equipment.

3. HEATER

3.1 General

A cathode temperature either too high or too low may lead to unsatisfactory operation such as moding and arcing, involving short life and loss of efficiency. During operation the heater voltage should, therefore, be set as near as possible at the prescribed value. Temporary fluctuations should not exceed the tolerances mentioned in the published data sheets of the individual types. The heater voltage should be measured directly on the terminals of the tube.

3.2 Heater starting voltage and heater running voltage

During operation the cathode temperature is increased by electron back bombardment (back heating). Before the application of the h.t. supply the heater voltage should, therefore, be adjusted to the published value of the heater starting voltage, but immediately after the application of the h.t. supply the heater voltage should be reduced to the heater running voltage. The individual data sheets contain information relating the heater running voltage to the average anode input power or to the average anode current.

3.3 Warming-up time (waiting time)

Before the application of the h.t. supply the heater starting voltage should be applied for a time not less than the warming-up time (waiting time) stated in the individual data sheets. This ensures adequate electron density to start oscillation in the required mode.

3.4 Heater surge current

With some tubes it may be required to limit the peak value of the heater when switching on the heater supply. Individual data sheets give information on this, together with the cold heater resistance to assist in the design of a suitable surge current limiting circuit.

3.5 Heater supply frequency

When not mentioned specifically the heater supply should be D.C. or 50 to 60 Hz A.C.

4. OPERATING CHARACTERISTICS

The values published for these characteristics must be considered as the outcome of measurements on an average magnetron. Individual magnetrons may show a certain spread around the published values, whereas during life the values may be

subject to variation. In the published data the spread and variation during life have in many cases be accounted for by mentioning maximum and/or minimum values of the characteristics.

The performance of a magnetron being greatly influenced by the load of the magnetron and by the characteristics of the input pulse, it is strongly recommended that the magnetron be operated at the published operating conditions only. Whenever it is considered to operate the magnetron at conditions substantially different from those indicated, the tube manufacturer should be consulted.

5. TYPICAL CHARACTERISTICS

The characteristics tabulated under this heading give general information on the magnetron independent of any specific kind of operation. The data should be regarded as pertaining to an average magnetron representative of the particular type. When necessary maximum and/or minimum values of the characteristics have been given to include the spread shown by individual samples and the variation which may occur during life.

6. H.T. SUPPLY AND MODULATORS

6.1 General

The dynamic impedance of magnetrons is in general low; thus small variations in the applied voltage can cause appreciable changes in operating current. In the equipment design it is necessary to ensure that such variations in operating current do not lead to operation outside the published limits.

Current changes result in variation of power, frequency and frequency spectrum quality and consequent deterioration of equipment performance. This factor should determine the maximum current change inherent in the equipment design under the worst operating conditions.

6.2 C.W. type magnetrons

For c.w. types the amount of smoothing required in the h.t. supply depends on the amount of modulation, resulting from operating current variation, which can be tolerated.

Under certain operational conditions a c.w. magnetron can develop a negative resistance characteristic and a minimum value of series resistance which should be adjacent to the magnetron is given in individual data sheets.

6.3 Pulse type magnetrons

To ensure a constant operating condition with a pulsed magnetron the modulator design must provide a pulse, the amplitude of which does not vary to any significant extent from pulse to pulse. Moreover, the energy per pulse delivered to the magnetron, if arcing occurs, should not considerably exceed the normal energy per pulse. Further design precautions depend on the type of modulator employed, and can not be generalised.

The performance of a magnetron is often a sensitive function of the shape of the voltage pulse that it receives and it is necessary to control four distinct aspects: rate of rise, spike, flatness and rate of fall. In this connection it is important that any observation of the shape of the pulse, either of voltage or of current, supplied by the modulator should be made with a magnetron load and not with a dummy load, because a magnetron acts as a non-linear impedance. Furthermore, a magnetron is likely to be sensitive to a mismatched load.

6.3.1 Rate of rise of voltage

Both maximum and minimum rate of rise of voltage (and sometimes of current) may be specified. The most critical value is that just before and during the initiation of oscillation. Too high or low a rate of rise may accentuate the tendency to moding.

Too high a rate of rise may cause operation in the wrong mode or even failure to oscillate, and either of these conditions may lead to arcing resulting in overheating or to excessive voltages.

Operation at too low a rate of rise of voltage may also cause oscillation in the wrong mode or oscillation in the normal mode at less than full current for an appreciable period and this will cause frequency pushing leading to a broad frequency spectrum.

Generally the rate of rise of voltage between the 20 and 80% points of the peak voltage is nearly linear and provides a good impression of the rate of rise at the onset of oscillation. In other cases, however, it may be necessary to measure the rate of rise above the 80% point.

For accuracy it is advisable to measure the rate of rise by means of a differentiating circuit or an oscilloscope. The total capacitance of the removable measuring device should be small with respect to the total stray capacitance of the modulator output circuit and in most cases not exceed 6pF.

6.3.2 Spike

It is important that the voltage pulse should not have a high spike on the leading edge. Such a spike may cause the magnetron to start in an undesired mode. Although this operation may not be sustained, the transient condition may lead to destructive arcing. Measures taken to reduce the spike must not also reduce the rate of rise below the specified minimum.

6.3.3 Flat

The top of the voltage pulse should be free from ripple or droop since small changes in voltage cause large current variations resulting in frequency pushing. This leads to frequency modulation of the r.f. pulse and consequent broadening of the spectrum or instability.

6.3.4 Rate of fall

The fall of voltage must be rapid at least to the point where oscillation ceases,

to avoid appreciable periods of operation below full current, with the attendant frequency pushing. This point is normally reached when the voltage has fallen to about 80% of the peak value.

Beyond this point a lower rate of fall is generally permissible, but a significant amount of noise will be generated, which may be detrimental to radar systems with a very short minimum range. To prevent noise being generated especially in short wave radars the voltage tail must decay to zero before the radar receiver recovers.

A fast rate of fall is also important where a magnetron is operated at a high pulse recurrence frequency since any diode current which occurs after oscillations have ceased will add appreciably to the mean current and dissipation of the tube.

In certain applications it is desirable to return the cathode to a positive d.c. bias in order to speed up the rate of fall and to prevent diode current being passed during the inter-pulse period.

7. LOADING

The anode current range shown in the individual data sheets is related to a voltage standing wave ratio seen by the magnetron of maximum 1.5 to 1. Operation of the magnetron with a voltage standing wave ratio in excess of 1.5 is not recommended as this may reduce the current range for stable operation and can cause arcing and moding. A ratio near unity will benefit tube life and reliability.

When the length of the transmission line between the magnetron and the load is large compared with the wavelength the maximum permissible value of the voltage standing wave ratio may be reduced due to the occurrence of so-called long line effects. When a long transmission line can not be avoided a load isolator must be inserted between the magnetron and the line.

8. LOAD DIAGRAM

In general the published data include a load diagram, a circle diagram in which for fixed input conditions the output power and the frequency change of the concerning magnetron are plotted against the magnitude and the phase (varied over 180 electrical degrees) of the voltage standing wave ratio representing the load as seen by the magnetron.

In some cases the magnitude of the voltage standing wave ratio (VSWR) has been replaced by the magnitude of the reflection coefficient (γ) these magnitudes being related by the formulae:

$$\text{VSWR} = \frac{1 + \gamma}{1 - \gamma} \qquad \gamma = \frac{\text{VSWR} - 1}{\text{VSWR} + 1}$$

The load diagram provides information on the behaviour of the magnetron to load conditions. The pulling figure for instance may be readily determined.

With a load of bad mismatch and at a particular phase there is a region on the load diagram which is characterised by high power output and convergence of the frequency contours. This region is known as "the sink" and the phase of the load at which the magnetron behaves in this manner is known as "the phase of sink". Operation of the magnetron under this load condition will lead to instability and may cause failure of the magnetron. By matching the r.f. system such that the maximum permitted voltage standing wave ratio is not exceeded, the sink will be avoided.

9. OPERATION IN DUPLEXER SYSTEMS

9.1 Position of t.r. cell

Where the r.f. system incorporates a t.r. cell a bad load mismatch, which is unavoidable, is seen by the magnetron momentarily until the cell has been ionised. If the phase of this mismatch is such that it is in the phase of sink the build up of oscillation of the magnetron may be prevented. It is therefore essential that the t.r. cell is so positioned that its phase of mismatch as seen by the magnetron is remote from the sink region.

9.2 Position of minimum

In the non-oscillating condition the magnetron presents at its frequency of oscillation a bad mismatch of considerable magnitude to the r.f. system. This property is utilised in certain duplexer systems. In the design of such a system it is necessary to know the phase of the above load mismatch and this is designated as the position of the first minimum of the voltage standing wave in relation to a reference plane on the magnetron output system.

10. CONDITIONING

In new magnetrons and in magnetrons which have not been in use for sometime a slight amount of gas may be present, which may give rise to excessive arcing and instability when the magnetron is put into operation at normal operating power. It is therefore recommended that after a period of idleness operation should be started at reduced voltage. The voltage is then increased gradually until arcing occurs. By this arcing gas in the tube is cleaned up so that after some time the magnetron will operate stably. The voltage is then increased again until arcing starts again. This procedure is repeated until normal operating conditions have been reached.

11. COOLING

The limiting values on temperatures mentioned in the individual data sheets should on no account be exceeded. It may be necessary in practical equipment to provide additional coolant on account of high environmental temperatures due to restrictions imposed by the cabinet and the associated components within the cabinet, and to high ambient temperatures at the equipment location.

For tubes with natural cooling mounting on a heat-conducting non-magnetic plate

(heatsink) is recommended. To obtain an effective cooling a vertical position of the heatsink may be advantageous in most cases.

Where air or water cooling is necessary, interlock switches should be provided to prevent operation in the event of failure or reduction of cooling medium.

Cooling air should not contain dust, moisture or grease. Cooling water should be as free as possible from all solid matter and the dissolved oxygen content should be low. Whenever possible a closed water system using distilled or demineralised water should be employed.

12. PRESSURISATION

The limiting values and operating characteristics quoted in the published data are given for a pressure down to 650 mm of mercury unless otherwise stated. In the case of high power magnetrons it may be necessary to pressurise the output waveguide in order to prevent electrical breakdown. Advice is given in the individual data sheets. Precautionary steps should be taken to prevent operation in the event of failure of the pressurisation. In order to avoid dielectric breakdown, clean and dry air or suitable gas must be used.

13. INPUT AND OUTPUT CONNECTIONS

13.1 Input connection

The negative h.t. voltage line must be connected to the common heater-cathode terminal. When this connection is made to the other end of the heater the anode current will pass through the heater, which may result in heater burn-out.

In order to prevent high transient voltages between heater and cathode a capacitor should be connected directly across the heater terminals. Generally a 1000 V rated capacitor of 4000 pF will do for this purpose.

The connections to the input terminals should make good electrical contact, but they should not be rigid and allow for some expansion to meet the rather high temperature differences which may occur in practice.

13.2 Output connection

The connection to the output must be designed to be sufficiently tight to avoid arcing and other poor contact effects. However, undue stress of the output section should be avoided as this may lead to deformation of the metal parts or to breakage of the glass or ceramic vacuum seals. Special attention should be paid in this connection to stress which may occur due to temperature differences.

It is important that the type of output coupling be as specified in the data sheets. Use of flat coupling instead of choke coupling, for instance, may upset the matching and possibly cause breakdown of the output system.

14. HANDLING AND MOUNTING

When handling and mounting a magnetron a distance of at least 5 cm should be maintained between the magnet and any piece of magnetic material to avoid mechanical shocks to the magnet or to the glass or ceramic seals. For this reason it is required to use non-magnetic tools during installation, such as non-magnetic stainless steel, brass, beryllium copper and aluminium. Furthermore, the user should be aware of the detrimental influence of the strong magnetic field around the magnet on watches and other precision instruments.

In general a magnetron is mounted by means of its mounting flange. The input assembly and the output system are usually not suited for supporting the magnetron. The mounting surface should be sufficiently flat to avoid deformation of the mounting flange and the mounting should be sufficiently flexible and adjustable so that no strain is exerted on the output system when the mounting nuts are tightened and the output system is coupled to the waveguide in the equipment.

When a dust cover is placed on the output flange it should be kept in place until the magnetron is mounted into the equipment. Before putting the magnetron into operation the user should make sure that the input and output are entirely clean and free from dust, moisture and grease.

15. STORAGE

Packaged magnetrons must be stored in such a way as to prevent a decrease of the field strength of the magnetron magnets due to interaction with adjacent magnets. When not otherwise mentioned in the individual data sheets it is advisable to maintain a minimum distance of 15 cm between the magnetrons.

The best protection for the tube is its original packing because this ensures an adequate spacing between the magnetrons and other magnets or ferrous objects and, moreover, protects the magnetron against reasonable vibrations and shocks. Despite this controlled spacing, magnetically - sensitive instruments such as compasses, electrical meters and watches should not be brought close to a bank of packaged magnetrons.

When a magnetron is protected by a moisture-proof container this fact is clearly stated on the outside. Unnecessary opening of the seal should be avoided so that the desiccant is not exhausted rapidly.

When a magnetron is temporarily taken out of the equipment it should be replaced immediately in its proper container. This is a good practice which obviates the risk of damage to the magnet or the glass or ceramic parts and prevents the entry of foreign matter into the output aperture.

Unpacked permanent-magnet tubes should never be placed on steel benches or shelves.

When storing the magnetrons normal conditions with regard to humidity and temperature should be maintained.

16. RADIATION HAZARDS

In general the shorter the wavelength of an r.f. radiation the greater the absorption by body tissues and hence for comparable power, the greater the hazard. With magnetrons the power may be sufficient to cause danger, particularly to the eyes.

If it is necessary to look directly into a magnetron output, this should be performed through an attenuating tube or through a small hole set in the wall of the waveguide at a bend. Alternatively r.f. screening such as copper gauze of mesh small compared with the wavelength must be provided.

With high power magnetrons precautions may also be necessary to reduce the stray r.f. radiation emitted through the cathode stem and other apertures, especially when the magnetron is functioning incorrectly.

High voltage magnetrons (as well as the high voltage rectifier and pulse modulator tubes) can emit a significant intensity of X-rays and protection of the operator may be necessary. When magnetron behaviour is viewed through an aperture X-rays may be present. Protection of the eye is afforded by viewing through lead glass.

PULSED MAGNETRON

Packaged magnetron for pulsed service at a fixed frequency.

QUICK REFERENCE DATA			
Frequency, fixed within the band	f	9.415 to 9.475	GHz
Peak output power	W_{op}	4	kW
Construction	packaged, flying leads		

HEATING: indirect

Heater voltage	V_f	6.3	V 1)
Heater current	I_f	0.5	A
Waiting time at t_{amb} above 0°C	T_w	min. 2	min
Waiting time at t_{amb} between 0 °C and -55 °C	T_w	min. 3	min

LIMITING VALUES (Absolute max. rating system)

Pulse duration	T_{imp}	min. 0.02	μs 2)
		max. 1.0	μs 2)
Duty factor	δ	max. 0.001	
Peak anode current	I_{ap}	min. 2.5	A
		max. 3.5	A
Mean input power	W_i	max. 13.5	W
Peak input power	W_{ip}	max. 13.5	kW
Rate of rise of anode voltage	$\frac{dV_a}{dT}$	max. 70	kV/ μs 3)
Voltage standing wave ratio	VSWR	max. 1.5	
Anode temperature	t_a	max. 120	°C
		min. 5.7	V
Heater voltage	V_f	max. 6.9	V

COOLING: natural

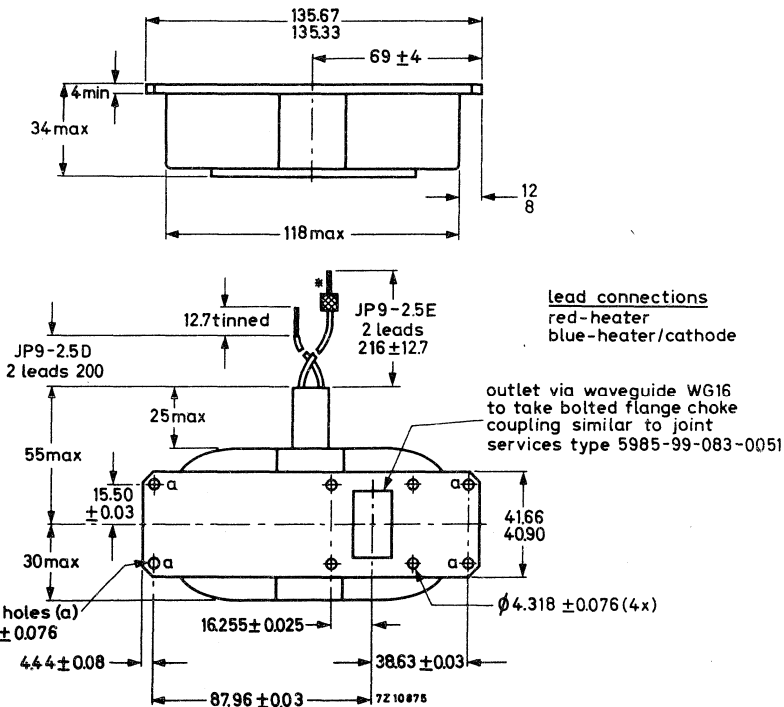
- 1) The magnetron is normally tested with a heater supply of 50 Hz and is suitable for operation at 1 kHz and 1.1 kHz. The manufacturer should be consulted if the magnetron is to be operated with a heater supply of any other frequency.
- 2) The tolerance of current pulse duration (T_{imp}) measured at 50% amplitude is $\pm 10\%$.
- 3) Defined as the steepest tangent to the leading edge of the voltage pulse above 80% amplitude.

JP9-2.5D
JP9-2.5E

MECHANICAL DATA

Dimensions in mm

Net weight: 1.02 kg
 Mounting position: any 8)



*JP9-2.5E wander plugs:-

Belling Lee 4 mm single pin 378/4/Red -Red lead
 3 mm single pin 378A/3/Black-Blue lead

8) See page 4

TEST CONDITIONS AND LIMITS

Test conditions

Heater voltage	V_f	6.3	V
Mean anode current	I_a	3.0	mA
Duty factor	δ	0.001	
Pulse duration	T_{imp}	1.0	μs 2)
Voltage standing wave ratio	VSWR	max.	1.05
Rate of rise of anode voltage	$\frac{dV_a}{dT}$	70	kV/ μs 3)

Limits and characteristics

		min.	max.
Peak anode voltage	V_{ap}	3.2	3.8 kV
Mean output power	W_o	3.0	W
Frequency	f	9.415	9.475 GHz
R. F. bandwidth at $\frac{1}{4}$ power	B		$\frac{2.5}{T_{imp}}$ MHz 2)
Pulling figure (VSWR = 1.5)	Δf_p		18 MHz
Minor lobe level (VSWR = 1.5)		6.0	dB
Stability			0.25 % 4)
Pushing figure	$\frac{\Delta f}{\Delta I_a}$		2.5 MHz/A
Cold impedance		see note 5	
Frequency temperature coefficient	$\frac{\Delta f}{\Delta t_a}$		0.25 MHz/degC 6) ←
Input capacitance	C_{ak}		9 pF 7)
Heater current at $V_f = 6.3 V, V_a = 0 V$	I_f	0.5	0.6 A

OPERATING CHARACTERISTICS

Heater voltage	V_f	6.3	6.3 V
Pulse duration	T_{imp}	0.1	0.5 μs
Pulse repetition rate	f_{imp}	2000	1000 p.p.s.
Duty factor	δ	0.0002	0.0005
Peak anode current	I_{ap}	3.0	3.0 A
Rate of rise of anode voltage	$\frac{dV_a}{dT}$	60	60 kV/ μs 3)
Peak anode voltage	V_{ap}	3.6	3.6 kV
Mean output power	W_o	0.8	2.0 W
Peak output power	W_{op}	4.0	4.0 kW

2), 3) See page 1

4), 5), 6), 7) See page 4

END OF LIFE PERFORMANCE

The quality of all production is monitored by the random selection of magnetrons which are then life tested under the stated test conditions. If the magnetron is to be operated under different conditions from those specified above, the manufacturer should be consulted to verify that the life will not be affected.

The magnetron is considered to have reached the end of life when it fails to meet the following limits when operated as specified under "Test conditions and limits".

Mean output power	W_o	min.	2.5	W
Peak anode voltage	V_{ap}	3.2 to	3.8	kV
Frequency	f	9.415 to	9.475	GHz
R.F. bandwidth at $\frac{1}{4}$ power	B	max.	$\frac{3.5}{T_{imp}}$	MHz
Stability		max.	0.5	%

VIBRATION

The magnetron is vibration tested to ensure that it will withstand normal conditions of service.

- 4) With the magnetron operating into a VSWR of 1.5 varied through all phases over an anode current range of 2.5 mA to 3.5 mA mean. Pulses are defined as missing when the R.F. energy level is less than 70% of the normal level in the frequency range 9.415 to 9.475 GHz. Missing pulses are expressed as a percentage of the number of input pulses applied during the period of observation after a period of ten minutes operation.
- 5) The cold impedance of the magnetron is measured at the operating frequency and will give a VSWR of > 6. The position of voltage minimum from the face of the output flange into the magnetron is 3 mm to 9 mm for the JP9-2.5D and 0 mm to 6 mm for the JP9-2.5E.
- 6) Design test only. Maximum frequency change with anode temperature change after warming.
- 7) Design test only.
- 8) It is necessary to keep all magnetic material as far as possible, at least 50 mm, from the magnet and mounting plate. The inner polystyrene pack of the magnetron carton provides adequate separation between magnetrons, and it recommended that magnetrons not in use be kept in these packs.

PULSED MAGNETRON

Packaged magnetron for pulsed service at a fixed frequency.

QUICK REFERENCE DATA			
Frequency, fixed within the band	f	9210 to 9270	MHz
Peak power output	W_{op}	7.5	kW
Construction		packaged	

HEATING: indirect

Heater voltage	V_f	=	6.3	V
Heater current	I_f	=	600	mA
Waiting time	$t_{amb} > 0\text{ }^\circ\text{C}$	T_w	=	min. 2 min.
	$t_{amb} < 0\text{ }^\circ\text{C}$	T_w	=	min. 3 min.

At input powers greater than 25 W the heater voltage should be reduced immediately after the application of high tension. See page 4

COOLING

In normal circumstances radiation and convection cooling is adequate, but where the ambient temperature is abnormally high a flow of cooling air between the radiator fins may be necessary.

LIMITING VALUES (Absolute limits)

Pulse duration	T_{imp}	=	max.	2.5	μs
Duty factor	δ	=	max.	0.0025	
Peak anode current	I_{ap}	=	max.	5.5	A
		=	min.	3.5	A
Peak anode voltage	V_{ap}	=	max.	6	kV
		=	min.	5	kV
Input power	W_{ia}	=	max.	82.5	W
Rate of rise of anode voltage	$\frac{\Delta V_a}{\Delta T_{rv}}$	=	max.	60	kV/ μs
Voltage standing wave ratio	V.S.W.R.	=	max.	1.5	
Temperature of anode block	t_a	=	max.	120	$^\circ\text{C}$

TYPICAL CHARACTERISTICS

Frequency; fixed within the band (at anode block temperature of 45°C)	f	=	9210	to	9270	MHz
Peak anode voltage	V_{ap}	>	5 kV	<	6	kV
Peak anode voltage at $I_{ap} = 4.5$ A	V_{ap}	>	5.3 kV	<	5.7	kV
Peak output power at $I_{ap} = 4.5$ A	W_{op}	>	7	kW		
Pulling figure at V.S.W.R. = 1.5	Δf_p			<	15	MHz
Negative temperature coefficient	$-\frac{\Delta f}{\Delta t}$			<	0.25	MHz per °C
Distance of voltage standing wave minimum from face of mounting plate inwards	d	>	16.5 mm	<	22.5	mm
Input capacitance	C_{ak}			<	8	pF

OPERATING CHARACTERISTICS

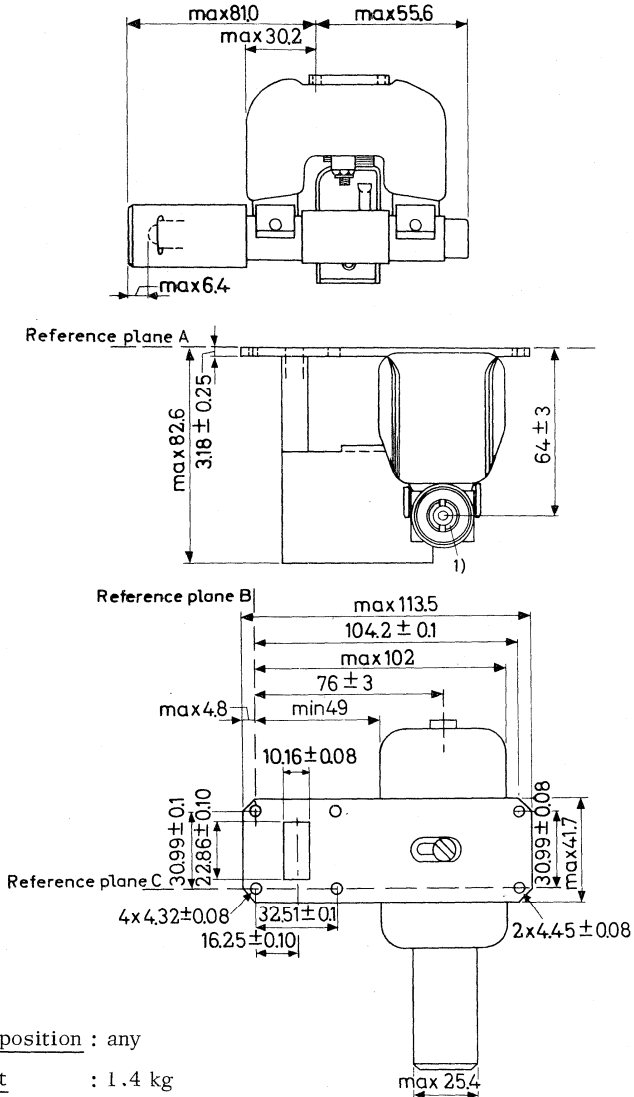
Heater voltage	V_f	=	6.3	V
Pulse duration	T_{imp}	=	1.0	μs
Pulse repetition frequency	f_{imp}	=	1000	Hz
Duty factor	δ	=	0.001	
Peak anode current	I_{ap}	=	4.5	A
Peak anode voltage	V_{ap}	=	5.5	kV
Rate of rise of voltage	$\frac{\Delta V_a}{\Delta T_{rv}}$	=	50	kV/ μs
Average anode current	I_a	=	4.5	mA
Average input power	W_{ia}	=	24.7	W
Peak output power	W_{op}	=	7.5	kW
Pulling figure (V.S.W.R. = 1.5)	Δf_p	=	14	MHz

MAGNETRON OUTPUT

To fasten the magnetron base plate to the RG-52/U waveguide the bolted flange choke coupling joint-services type 5985-99-0830051 should be used.

MECHANICAL DATA

Dimensions in mm

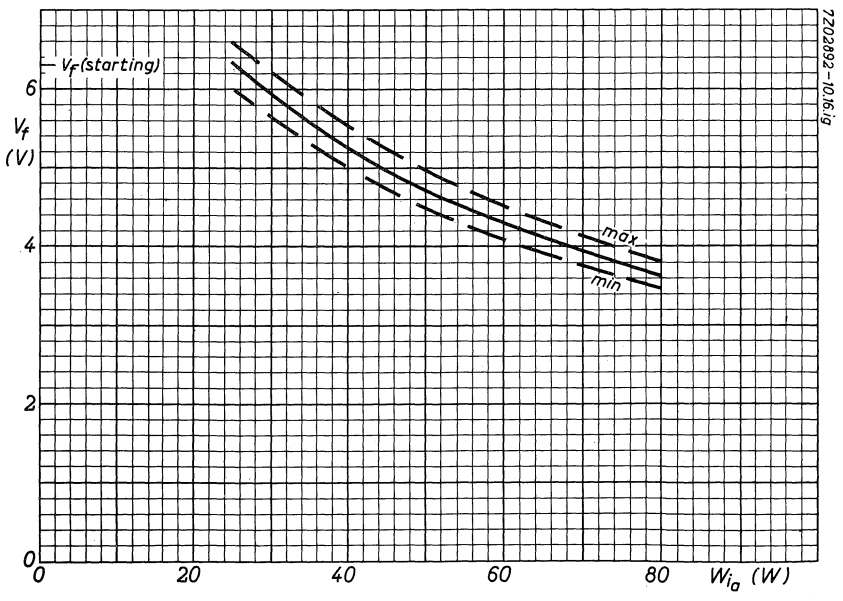
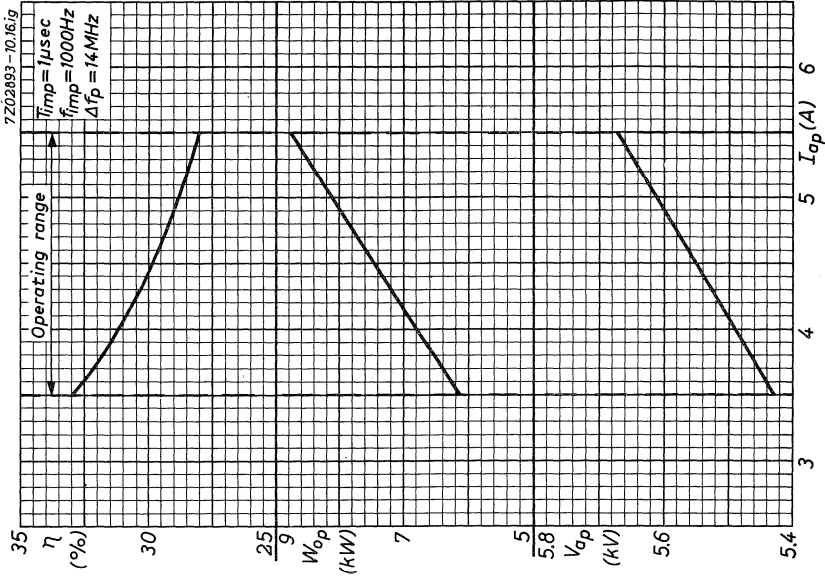


Mounting position : any

Net weight : 1.4 kg

1) Miniature bayonet cap

|||||



PULSED MAGNETRON

Packaged magnetron for pulsed service at a fixed frequency.

QUICK REFERENCE DATA			
Frequency, fixed within the band	f	9345 to 9405	MHz
Peak power output	W_{Op}	10	kW
Construction		packaged	

HEATING: indirect

Heater voltage	$V_f =$	6.3	V \pm 5%	
Heater current	$I_f =$	550	mA	←
Waiting time $t_{amb} > 0\text{ }^\circ\text{C}$	$T_w =$ min.	2	min	
$t_{amb} < 0\text{ }^\circ\text{C}$	$T_w =$ min.	3	min	

At input powers greater than 25 W the heater voltage should be reduced immediately after the application of high tension. See page 4.

COOLING

In normal circumstances radiation and convection cooling is adequate, but where the ambient temperature is abnormally high a flow of cooling air between the radiator fins may be necessary to keep the block temperature below the permitted maximum.

LIMITING VALUES (Absolute limits)

Pulse duration	$T_{imp} =$ max.	1.0	μs
	$T_{imp} =$ min.	0.05	μs
Duty factor	$\delta =$ max.	0.002	
Peak anode current at $T_{imp} = 0.1$ to $1.0\text{ }\mu\text{s}$	$I_{ap} =$ max.	6.0	A
	$I_{ap} =$ min.	4.5	A
Peak anode current at $T_{imp} < 0.1\text{ }\mu\text{s}$	$I_{ap} =$ max.	7.0	A
	$I_{ap} =$ min.	4.5	A
Peak anode voltage	$V_{ap} =$ max.	6.2	kV
	$V_{ap} =$ min.	5.2	kV

LIMITING VALUES (continued)

Input power	W_{i_a}	= max.	83	W
Rate of rise of anode voltage	$\frac{\Delta V_a}{\Delta T_{rv}}$	= max.	120	kV/ μ s
Voltage standing wave ratio	V.S.W.R.	= max.	1.5	
Temperature of anode block	t_a	= max.	100	$^{\circ}$ C

TYPICAL CHARACTERISTICS

Frequency; fixed within the band (at anode block temperature of 45 $^{\circ}$ C)	f	=	9345 to 9405	MHz
Peak anode voltage at $I_{a_p} = 5.5$ A	V_{a_p}	> 5.4 kV < 5.9 kV		
Peak output power at $I_{a_p} = 5.5$ A	W_{o_p}	>	8	kW
Pulling figure at V.S.W.R. = 1.5	Δf_p	<	15	MHz
Distance of voltage standing wave minimum from face of mounting plate inwards	d	> 16.5 mm < 22.5 mm		
Input capacitance	C_{a_k}	<	8	pF

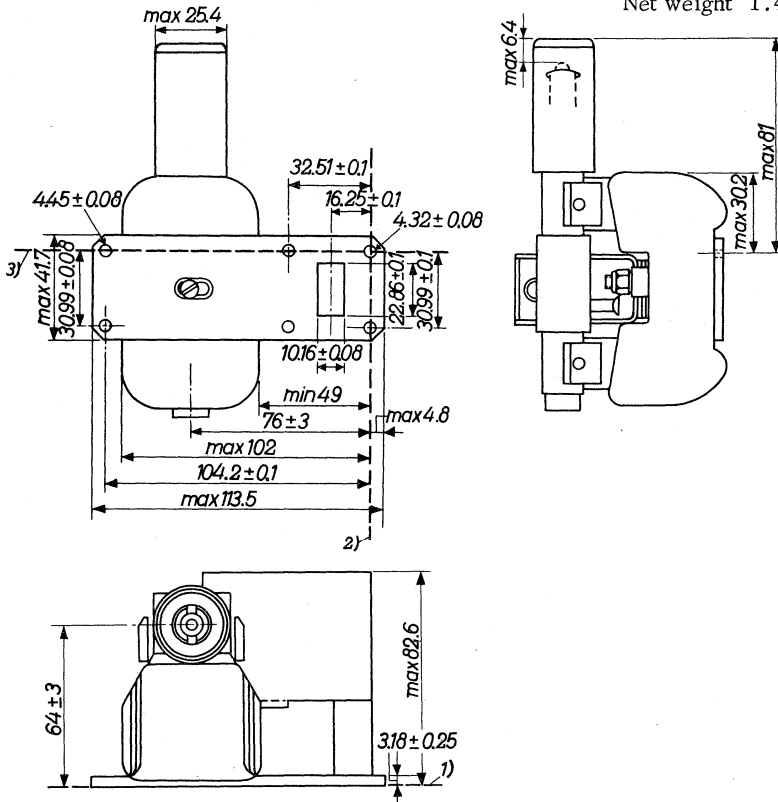
OPERATING CHARACTERISTICS

Heater voltage	V_f	=	6.3	6.3	5.8	V
Pulse duration	T_{imp}	=	0.05	0.1	1.0	μ s
Pulse repetition frequency	f_{imp}	=	4000	1000	1000	Hz
Duty factor	δ	=	0.0002	0.0001	0.001	
Peak anode current	I_{a_p}	=	7.0	6.0	5.5	A
Average anode current	I_a	=	1.4	0.6	5.5	mA
Peak anode voltage	V_{a_p}	=	5.9	5.7	5.6	kV
Rate of rise of voltage	$\frac{\Delta V_a}{\Delta T_{rv}}$	=	110	110	80	kV/ μ s
Average input power	W_i	=	8.3	3.4	31	W
Peak input power	W_{i_p}	=	41.3	34.2	30.8	kW
Average output power	W_o	=	2.1	0.95	9.0	W
Peak output power	W_{o_p}	=	10.5	9.5	9.0	kW
Pulling figure (V.S.W.R. = 1.5)	Δf_p	=	14	14	14	MHz

MECHANICAL DATA

Dimensions in mm

Net weight 1.4 kg



Mounting position: any

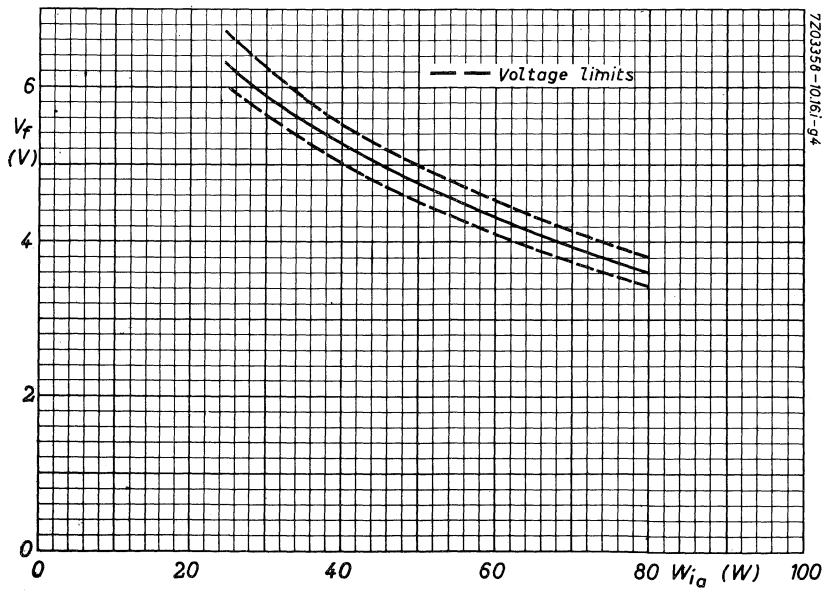
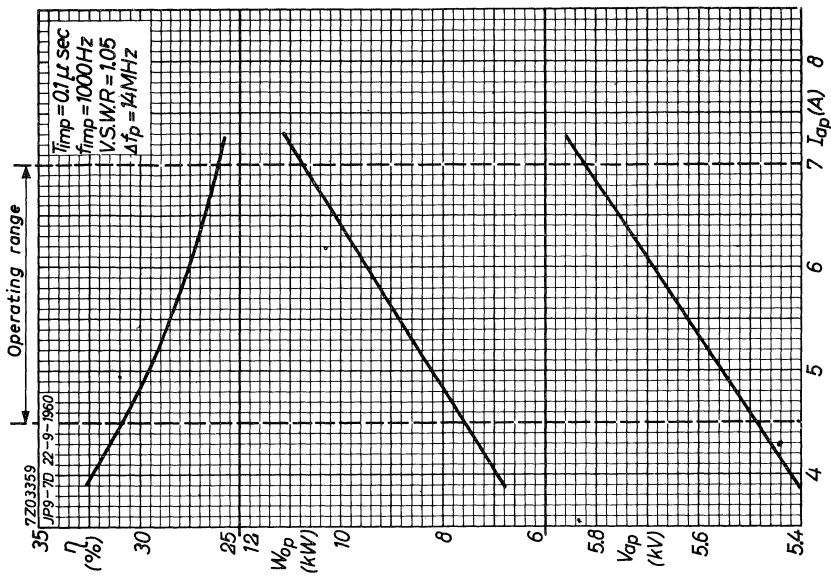
Magnetron output

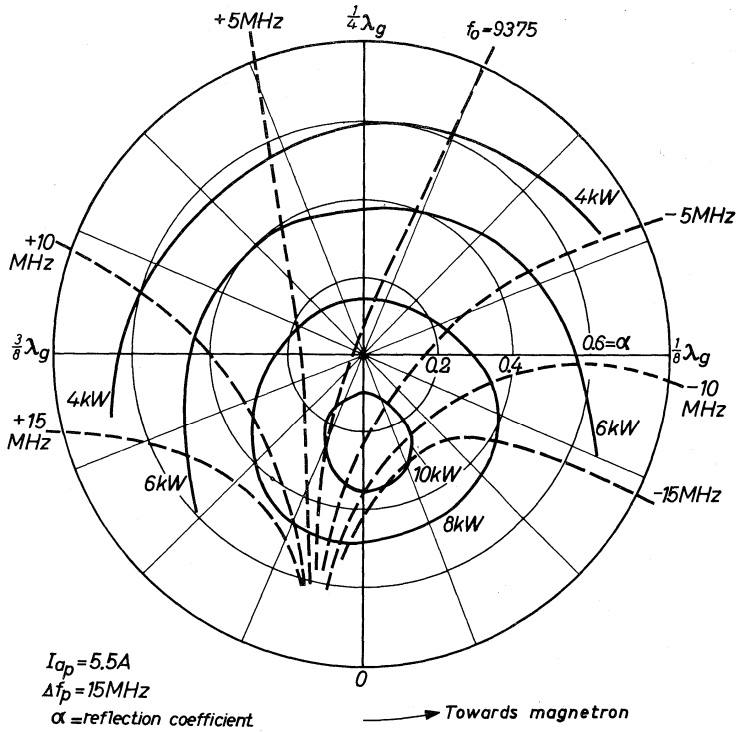
To fasten the magnetron output to the RG-52/U waveguide, a choke flange type I.S. Z83 00 51 should be inserted between these parts.

1) Reference plane A

2) Reference plane B

3) Reference plane C





7203357

PULSED MAGNETRON

Packaged magnetron for pulsed service at a fixed frequency

QUICK REFERENCE DATA			
Frequency, fixed within the band	JP9-15	f	9345 to 9405 MHz
	JP9-15B	f	9415 to 9475 MHz
Peak power output		W_{op}	21 kW
Construction			packaged

HEATING: indirect

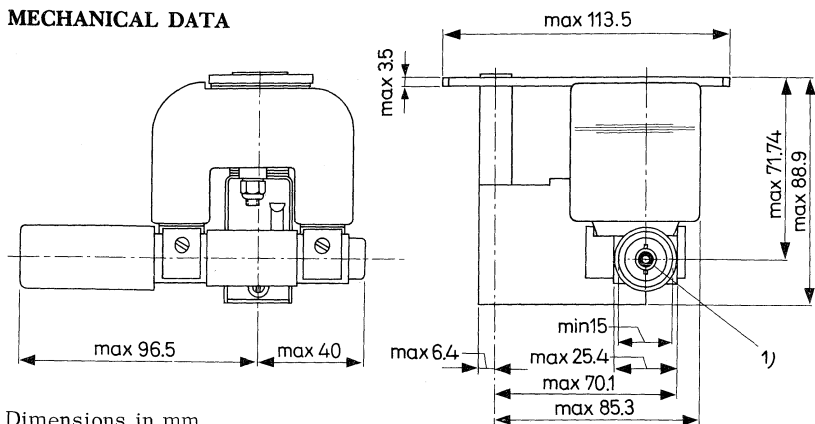
Heater voltage	V_f	=	6.3 V
Heater current	I_f	=	0.55 A
Cathode heating time at t_{amb} above 0 °C	T_w	=	min. 2 min
Cathode heating time at t_{amb} below 0 °C	T_w	=	min. 3 min

For average input powers greater than 25 W it is necessary to reduce the heater voltage immediately after the application of high tension in accordance with the curve on page 5 .

LIMITING VALUES (Absolute limits)

Pulse duration	T_{imp}	=	max. 2.5 μs
Duty factor	δ	=	max. 0.0015
Peak anode current	$T_{imp} \leq 1 \mu s$	I_{ap}	= max. 9.0 A
			= min. 6.0 A
	$T_{imp} = 1 \text{ to } 2.5 \mu s$	I_{ap}	= max. 7.5 A
			= min. 6.0 A
Average input power	W_i	=	max. 83 W
Rate of rise of anode voltage	$\frac{\Delta V_a}{\Delta T_{rv}}$	=	max. 100 kV/ μs
Voltage standing wave ratio	VSWR	=	max. 1.5
Anode block temperature	t_a	=	max. 120 °C

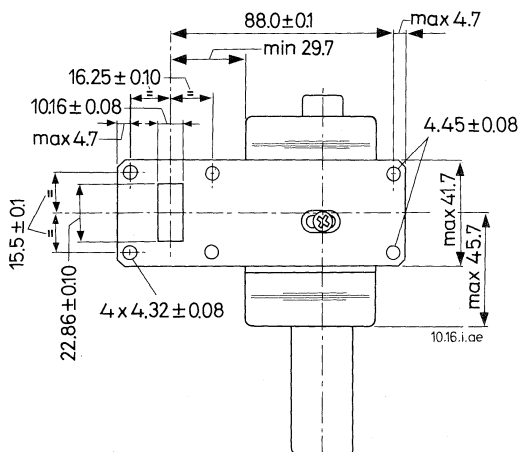
MECHANICAL DATA



Dimensions in mm

Net weight 1.7 kg

Mounting position: any



MAGNETRON OUTPUT

To fasten the magnetron base plate to the WG16 waveguide the bolted flange choke coupling inter-services type Z83 00 51 should be used.

1) Miniature bayonet cap 9.16 mm diameter

TYPICAL CHARACTERISTICS

Frequency, fixed within the band	JP9-15	f	=	9345 to 9405	MHz
	JP9-15B	f	=	9415 to 9475	MHz
Peak anode voltage at $I_{ap} = 7.5$ A		V_{ap}	=	7.0 to 8.2	kV
Peak output power at $I_{ap} = 7.5$ A		W_{op}	>	17	kW
Pulling figure at VSWR = 1.5		Δf_p	<	18	MHz
Pushing figure		$\frac{\Delta f}{\Delta I_{ap}}$	<	1.5	MHz per A
Frequency temperature coefficient		$-\frac{\Delta f}{\Delta t}$	<	0.25	MHz per °C
Distance of VSW minimum from face of mounting plate inwards		d	>	16.5 <	22.5 mm
Input capacitance		C_{ak}	<	8.0	pF

OPERATING CHARACTERISTICS

Heater voltage	V_f	=	6.3	6.3	6.3	V
Pulse duration	T_{imp}	=	0.05	0.1	1.0	μs
Pulse repetition frequency	f_{imp}	=	2500	2000	500	Hz
Duty factor	δ	=	0.000125	0.0002	0.0005	
Peak anode current	I_{ap}	=	8.0	7.5	7.0	A
Average anode current	I_a	=	1.2	1.6	3.5	mA ¹⁾
Peak anode voltage	V_{ap}	=	7.7	7.6	7.5	kV
Rate of rise of anode voltage	$\frac{\Delta V_a}{\Delta T_{rv}}$	=	95	90	80	kV/ μs
Average input power	W_i	=	7.75	11.4	26.5	W
Peak input power	W_{ip}	=	62	57	53	kW
Average output power	W_o	=	2.75	4.2	10	W
Peak output power	W_{op}	=	22	21	20	kW
Pulling figure (VSWR = 1.5)	Δf_p	=	17	17	17	MHz

¹⁾ Including pre-oscillation current. (In many applications involving short pulse durations and high pulse repetition frequencies the average current which would be calculated from the duty factor is increased by a pre-oscillation current.)

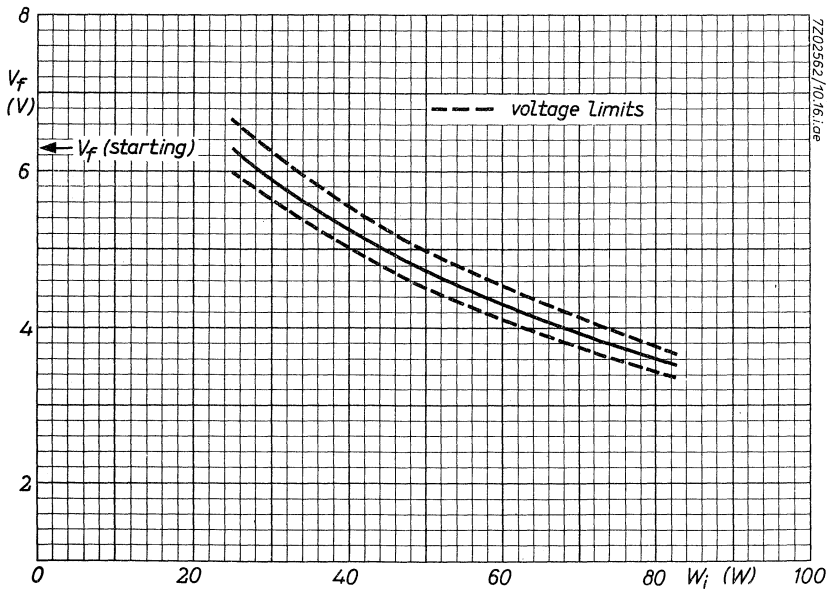
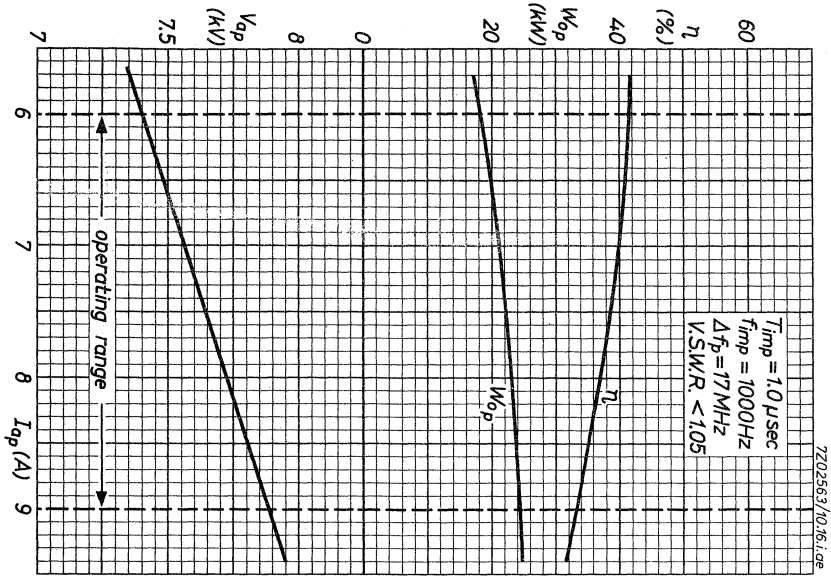
END OF LIFE PERFORMANCE

The tube is deemed to have reached the end of life when it fails to satisfy the following:

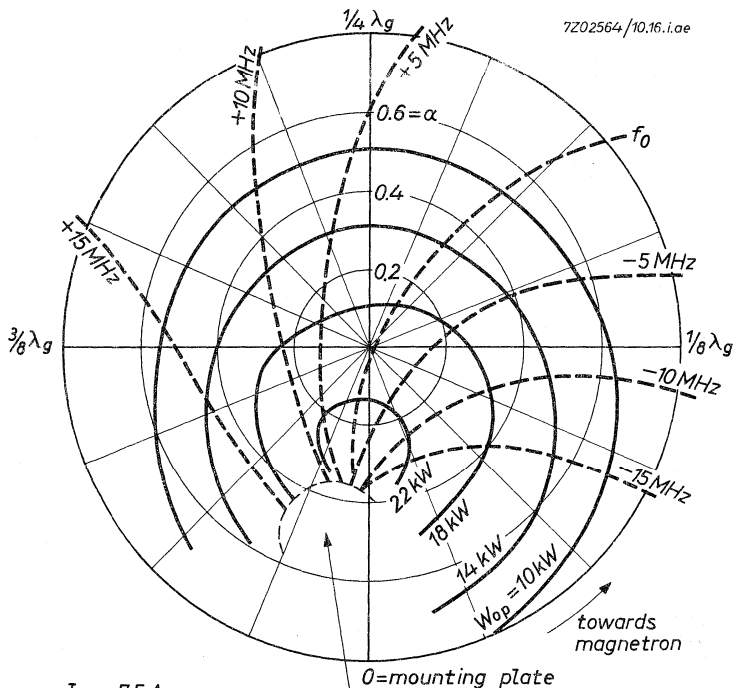
Peak output power at $I_{ap} = 7.5$ A	$W_{Op} >$	15 kW
Frequency within the band JP9-15	$f =$	9345 to 9405 MHz
JP9-15B	$f =$	9415 to 9475 MHz
Peak anode voltage at $I_{ap} = 7.5$ A	$V_{ap} =$	7.0 to 8.2 kV

COOLING

In normal circumstances radiation and convection cooling is adequate, but where the ambient temperature is abnormally high, a flow of cooling air between the radiator fins may be necessary to keep the block temperature below the permitted maximum.



7202564/10.16.i.oe



$I_{ap} = 7.5 \text{ A}$
 $\Delta f_p = 17 \text{ MHz}$
 $\alpha = \text{reflection coefficient.}$
 $f_0 = 9375 \text{ MHz (JP9-15)}$
 $f_0 = 9445 \text{ MHz (JP9-15B)}$

0 = mounting plate

area of unsatisfactory operation

towards magnetron

PULSED MAGNETRON

Packaged magnetron for pulsed service at a fixed frequency.

QUICK REFERENCE DATA			
Frequency, fixed within the band	f	9.380 to 9.440	GHz
Peak output power	W_{op}	21	kW
Construction		packaged	

HEATING: indirect

Heater voltage	V_f	6.3	V
Heater current	I_f	0.55	A
Peak heater starting current	I_{fop}	max. 5.0	A
Cold heater resistance	R_{fo}	1.75	Ω
Waitingtime at t_{amb} above $0^{\circ}C$	T_w	min. 2	min
Waitingtime at t_{amb} below $0^{\circ}C$	T_w	min. 3	min

For mean input powers greater than 25 W, it is necessary to reduce the heater voltage immediately after the application of high tension in accordance with the curve on page 4.

LIMITING VALUES (Absolute max. rating system)

Pulse duration	T_{imp}	max. 2.5	μs
Duty factor	δ	max. 0.0015	
Peak anode current	I_{ap}	min. 7.0	A
Mean input power	W_i	max. 83	W
Rate of rise of anode voltage	$\frac{dV_a}{dT}$	max. 100	kV/ μs
Voltage standing wave ratio	VSWR	max. 1.5	
Anode block temperature	t_a	max. 120	$^{\circ}C$

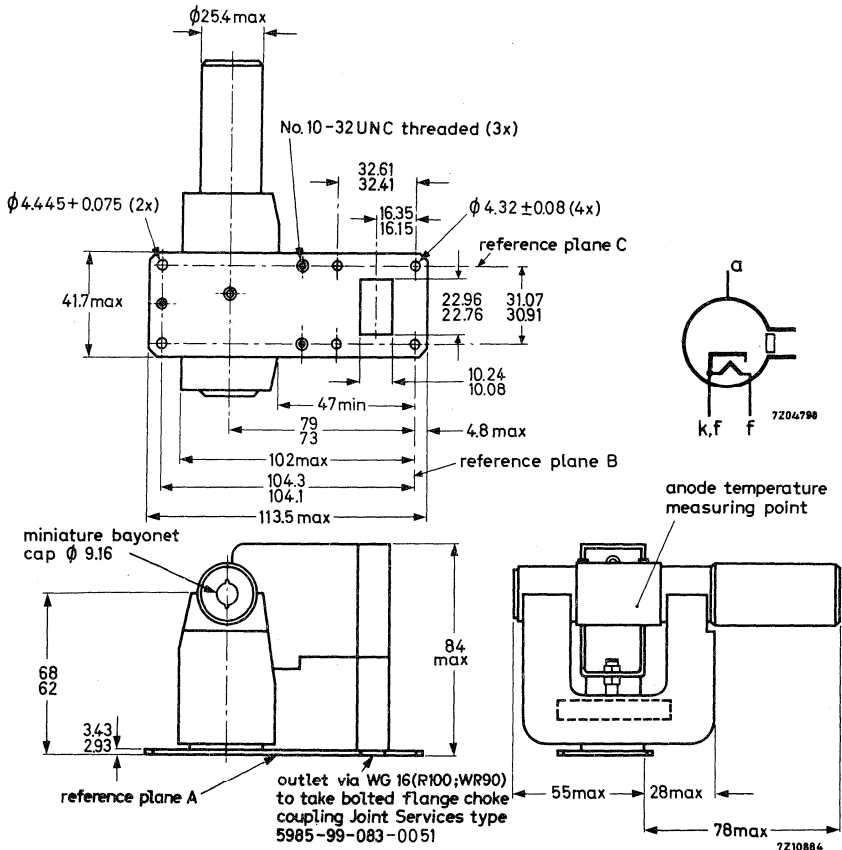
COOLING

In normal circumstances natural cooling is adequate, but where the ambient temperature is abnormally high, a flow of cooling air between the radiator fins may be necessary to keep the anode block temperature below the permitted maximum.

MECHANICAL DATA

Dimensions in mm

Net weight: 1.7 kg
 Mounting position: any



TYPICAL CHARACTERISTICS

Frequency, fixed within the band	f	9.380 to	9.440	GHz
Peak anode voltage at $I_{ap} = 8.6$ A	V_{ap}	7 to	7.5	kV
Peak output power at $I_{ap} = 8.6$ A	W_{op}		> 19	kW
Pulling figure at VSWR = 1.5	f_p		< 18	MHz
Pushing figure	$\frac{\Delta f}{\Delta I_{ap}}$		< 1.5	MHz/A
Frequency temperature coefficient	$-\frac{\Delta f}{\Delta t}$		< 0.25	MHz/degC
Distance of VSW minimum from face of mounting plate into tube	d	16.5 to	22.5	mm
Input capacitance	C_{ak}		< 8	pF

OPERATING CHARACTERISTICS

Heater voltage (running)	V_f	6.3	5.8	V
Pulse duration	T_{imp}	0.1	1.0	μs
Pulse repetition rate	f_{imp}	2000	500	p.p.s.
Duty factor	δ	0.0002	0.0005	
Peak anode current	I_{ap}	8.6	8.6	A
Mean anode current	I_a	1.8	4.3	mA 1)
Peak anode voltage	V_{ap}	7.2	7.2	kV
Rate of rise of anode voltage	$\frac{dV_a}{dT}$	90	90	kV/ μs
Mean input power	W_i	13	31	W
Peak input power	W_{ip}	62	62	kW
Mean output power	W_o	4.2	10.5	W
Peak output power	W_{op}	21	21	kW
Pulling figure (VSWR = 1.5)	Δf_p	16	16	MHz

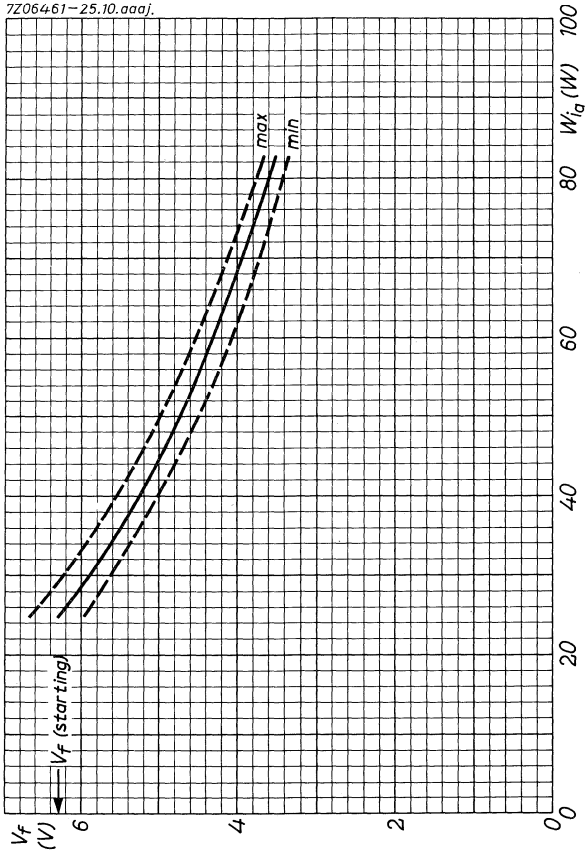
END OF LIFE PERFORMANCE

The tube is deemed to have reached end of life when it fails to satisfy the following:

Peak output power at $I_{ap} = 8.6$ A	W_{op}	min.	17	kW
Frequency within the band	f	9.380 to	9.440	GHz
Peak anode voltage at $I_{ap} = 8.6$ A	V_{ap}	7.0 to	7.5	kV

1) Including pre-oscillation current. In many applications involving short pulse durations and high pulse repetition rates the mean current which would be calculated from the duty factor is increased by a pre-oscillation current.

7Z06461-25.10.aaj.



TUNABLE MAGNETRON

Air-cooled packaged tunable magnetron for continuous wave operation and suitable for amplitude modulation.

QUICK REFERENCE DATA		
Frequency, tunable within the band	f	9150 to 9600 MHz
C.W. output power	W_o	10 W
Construction		packaged

HEATING indirect

Heater voltage $V_f = 6.3$ V

Heater current $I_f = 1.2$ A

Waiting time:

$t_{amb} < 0^\circ\text{C}$ $T_w = \text{min. } 3 \text{ min}$

$t_{amb} > 0^\circ\text{C}$ $T_w = \text{min. } 2 \text{ min}$

For mean input powers greater than 20 W it is necessary to reduce the heater voltage immediately after the application of anode power in accordance with the input-power heater-voltage rating-chart on page 5.

COOLING

Air flow required for cooling to be directed between the radiator fins

$q > 150 \text{ dm}^3/\text{min}$

TYPICAL CHARACTERISTICS

Anode current $I_a = 50$ mA

Anode voltage $V_a = 900$ to 1100 V

Pulling figure (V.S.W.R. = 1.5) $\Delta f_p < 20$ MHz

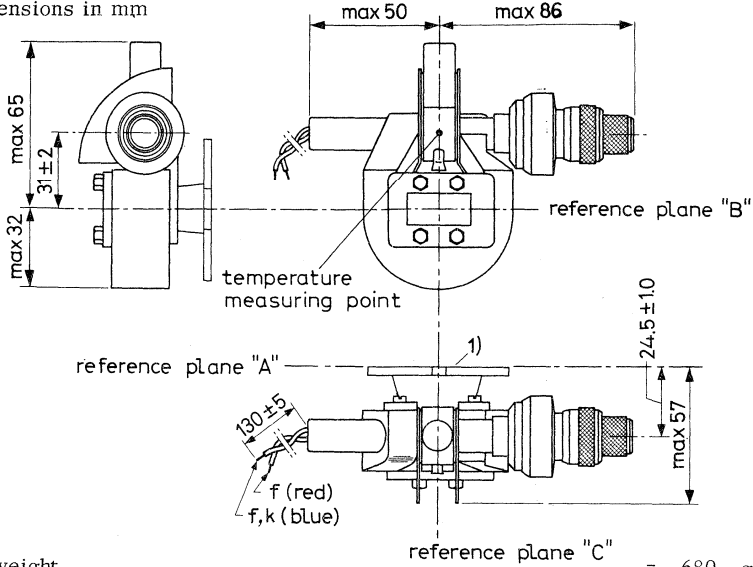
Frequency pushing < 1 MHz /mA

Negative temperature coefficient < 0.5 MHz / $^\circ\text{C}$

Output power at $f = 9150$ to 9600 MHz $W_o > 5$ W

MECHANICAL DATA

Dimensions in mm



Net weight	=	680	g
Number of turns to cover the tuning range	>	4	
	<	8	
Tuning torque	<	2.3	kgcm
Tuning backlash	<	5	MHz

There is no limit to the number of tuning sweeps which may be carried out within the stated frequency range

OPERATING CHARACTERISTICS

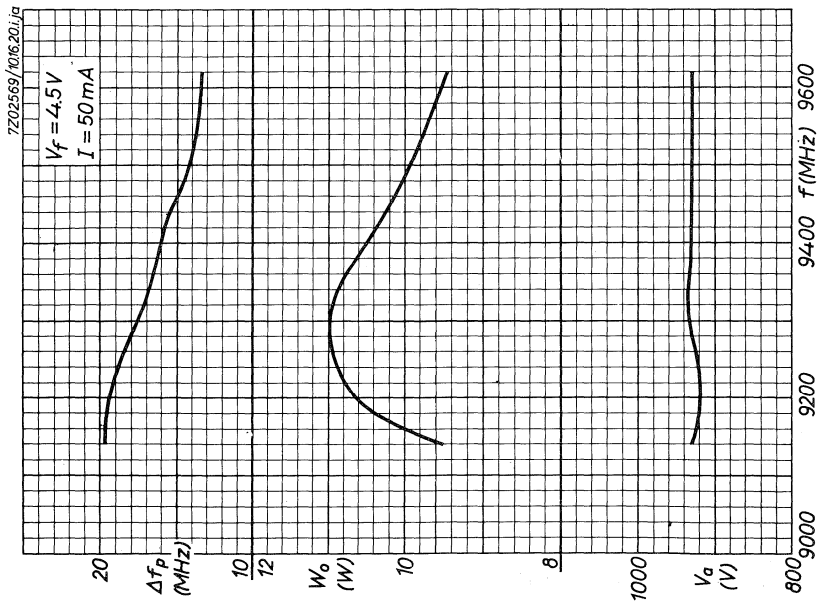
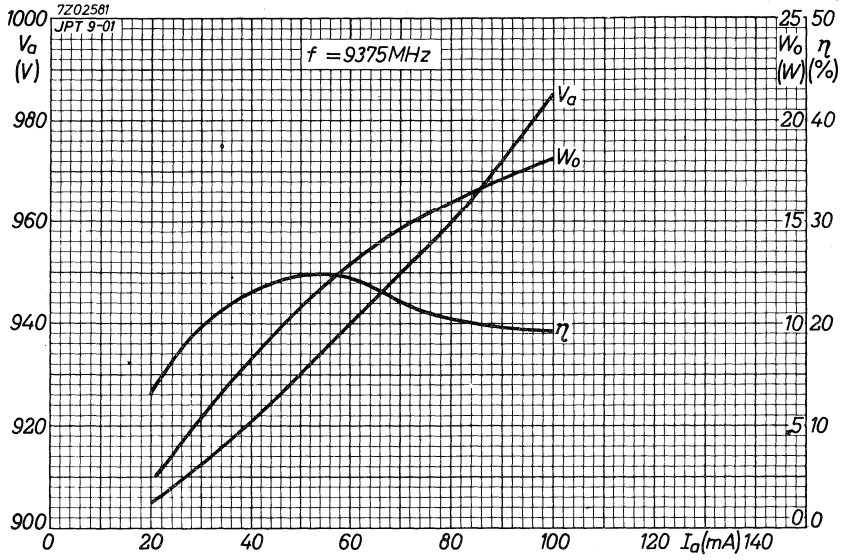
Limiting resistor in series with the magnetron				1	kΩ
Frequency	f	=	9200	9400	9550 MHz
Running heater voltage	V _f	=	4.5	4.5	4.5 V
Anode voltage	V _a	=	920	930	930 V
Anode current	I _a	=	50	50	50 mA
Pulling figure (V.S.W.R. = 1.5)	Δf _p	=	19	16	14 MHz
Output power	W _o	=	10.5	10.5	9.8 W

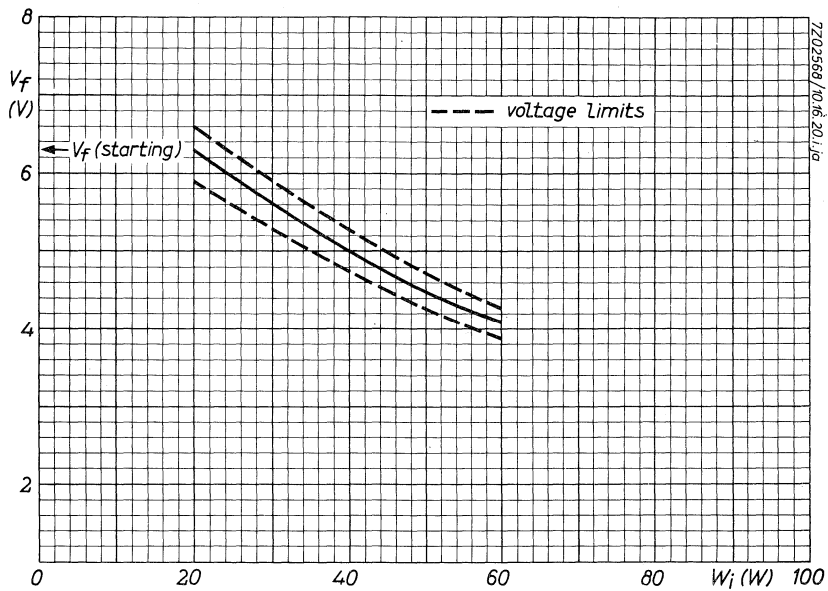
1) Wave guide output system RG-52/U (British designation WG16)
 Wave guide coupling system Z 83 000 3 = 5985-99-083 000 3

LIMITING VALUES (Absolute limits)

Anode voltage	V_a	= max. 1150 V ¹⁾ = min. 850 V ¹⁾
Anode current	I_a	= max. 60 mA = min. 20 mA
Peak anode current	I_{ap}	= max. 100 mA ¹⁾
Anode supply D.C. power	W_{ia}	= max. 60 W
Voltage standing wave ratio	V.S.W.R.	= max. 1.5
Temperature of anode block	t_a	= max. 140 °C

¹⁾ Modulated continuous wave





PULSED MAGNETRON

Packaged magnetron for pulsed service at a fixed frequency. The output system has been designed for coupling to a standard rectangular waveguide RG-52/U (EIA designation WR90) with outside dimensions $\frac{1}{2}$ in x 1 in.

QUICK REFERENCE DATA			
Frequency, fixed within the band	f	9190 to 9320	MHz
Peak output power	W_{op}	3	kW
Construction		packaged	

HEATING: indirect

$$\text{Heater voltage} \quad V_f = 6.3 \text{ V} \pm 5\%$$

$$\text{Heater current at } V_f = 6.3 \text{ V} \quad I_f = 0.5 \text{ A}$$

At ambient temperatures above 0 °C the cathode must be heated for at least 2 minutes before the application of high voltage. Below this temperature the heating time must be increased to at least 3 minutes.

TYPICAL CHARACTERISTICS

Frequency, fixed within the range	f	=	9190 to 9320	MHz
Negative temperature coefficient	$-\frac{\Delta f}{\Delta t}$	<	0.25	MHz/°C
Pulling figure at voltage standing wave ratio 1.5	Δf_p	<	18	MHz
Pushing figure	$\frac{\Delta f}{\Delta I_{ap}}$	<	2.5	MHz/A
Distance of voltage standing wave minimum from face of mounting plate into magnetron	d	=	0 to 6	mm
Peak anode voltage at $I_{ap} = 3 \text{ A}$	V_{ap}	=	3.2 to 3.8	kV
Input capacitance	C_{ak}	<	9	pF

COOLING: Radiation and convection

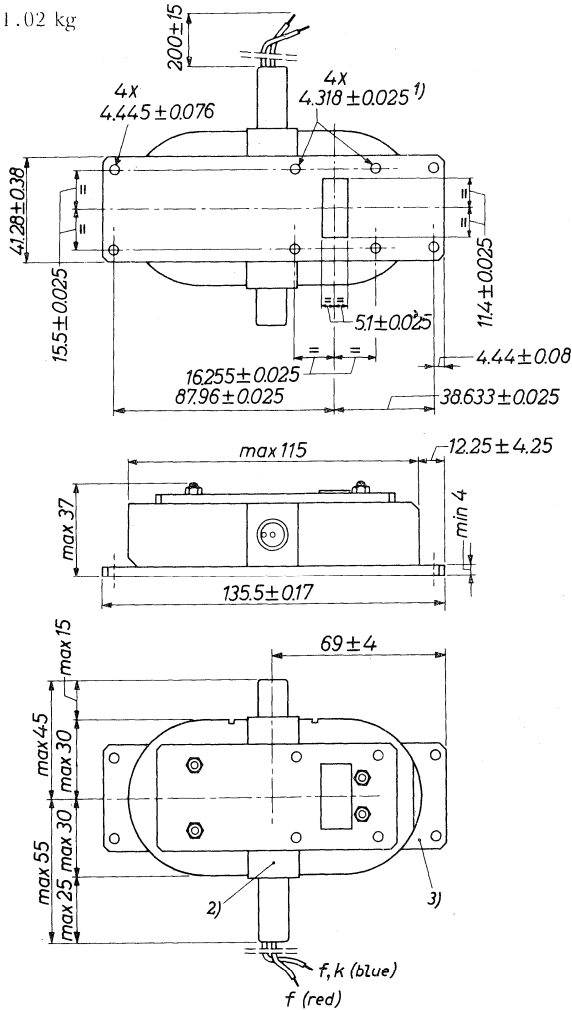
MAGNETRON OUTPUT

To fasten the magnetron base plate to the RG-52/U waveguide the bolted flange choke coupling joint-services type 5985-99-0830051 should be used.

MECHANICAL DATA

Dimensions in mm

Net weight: 1.02 kg



Mounting position: any

1) Holes for locating pins, depth 4 mm

2) Point for temperature measurement

3) The anode is terminated at the base plate

LIMITING VALUES (Absolute limits)

Each limiting value should be regarded independently of other values, so that under no circumstances it is permitted to exceed a limiting value whichever.

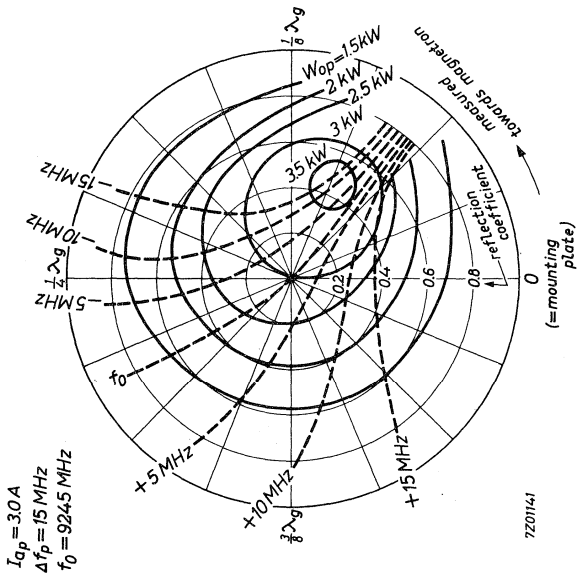
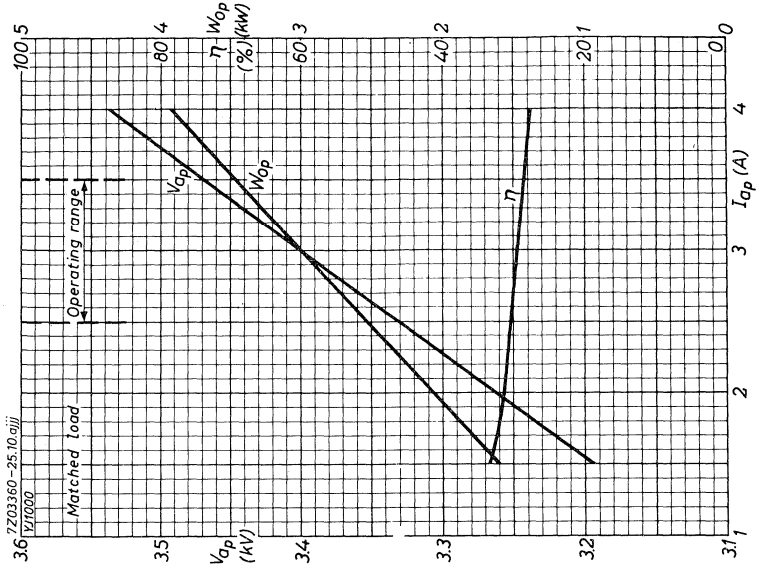
Pulse duration	T_{imp}	= max.	1 μs
		= min.	0.02 μs
Duty factor	δ	= max.	0.001
Peak anode current	I_{ap}	= max.	3.5 A
		= min.	2.5 A
Average input power	W_i	= max.	13 W
Rate of rise of anode voltage	$\frac{\Delta V_a}{\Delta T_{rV}}$	= max.	60 kV/ μs
Voltage standing wave ratio	V. S. W. R.	= max.	1.5
Temperature of anode block (see note 2) page 2)	t_a	= max.	120 $^{\circ}C$

OPERATING CHARACTERISTICS

Heater voltage	V_f	=	6.3 V
Pulse duration	T_{imp}	=	0.1 μs
Duty factor	δ	=	0.0002
Pulse repetition rate	f_{imp}	=	2000 Hz
Peak anode voltage	V_{ap}	=	3.4 kV
Rate of rise of anode voltage	$\frac{\Delta V_a}{\Delta T_{rV}}$	=	50 kV/ μs
Average anode current	I_a	=	600 μA
Peak anode current	I_{ap}	=	3 A
Average input power	W_i	=	2 W
Peak input power	W_{ip}	=	10 kW
Average output power	W_o	=	0.6 W
Peak output power	W_{op}	=	3 kW
Pulling figure at voltage standing wave ratio 1.5	Δf_p	=	15 MHz

END OF LIFE PERFORMANCE

Peak output power at $I_{ap} = 3 A$	W_{op}	=	2 kW
Frequency within the band	f	=	9190 to 9320 MHz
Peak anode voltage at $I_{ap} = 3 A$	V_{ap}	=	3.2 to 3.8 kV



PULSED MAGNETRON

Servo-tunable air cooled packaged magnetron for use as a pulsed oscillator in navigational, search and fire-control radar systems. It can be pulsed by a hard-tube, line type or magnetic modulator.

QUICK REFERENCE DATA		
Frequency, tunable within the band	f	8.5 to 9.6 GHz
Peak output power	W_{op}	225 kW
Construction		packaged

HEATING: indirect by A.C. or D.C.

Heater voltage, starting and stand-by	V_{fo}	=	13.75 V \pm 10 %
Heater current at $V_f = 13.75$ V	I_f	=	3.1 A \pm 0.2 A
Heater surge peak current	$I_{f\ surge\ p}$	=	max. 12 A
Cold heater resistance	R_{fo}	>	0.53 Ω
Heating time before application of high voltage ($V_f = 13.75$ V)	T_w	=	min. 2.5 min

Immediately after the high voltage has been applied, the heater voltage must be reduced in accordance with the formula:

$$V_f = 13.75 \left(1 - \frac{W_i}{450} \right) \text{ V (see page 11)}$$

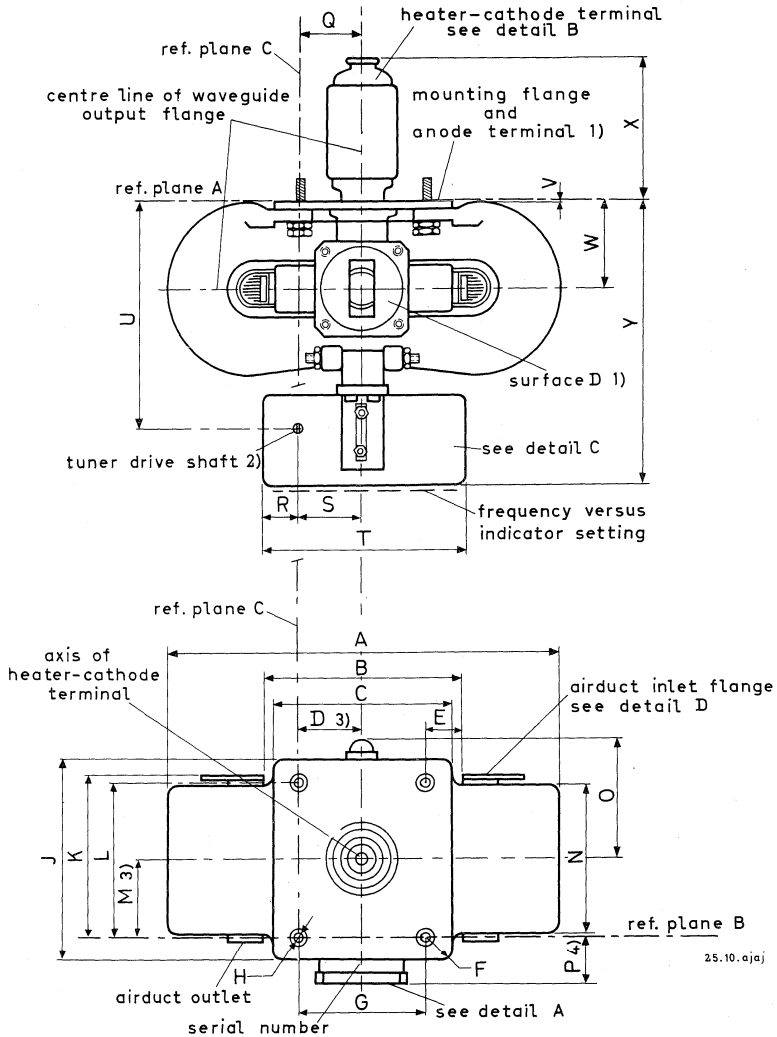
where W_i (in W) = duty factor x peak anode current (in A) x 21500.

When $W_i > 450$ W the heater voltage should be switched off.

TYPICAL CHARACTERISTICS

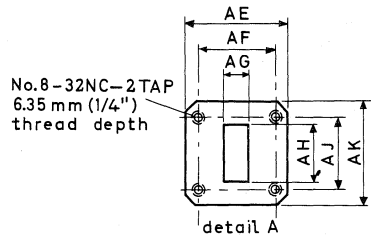
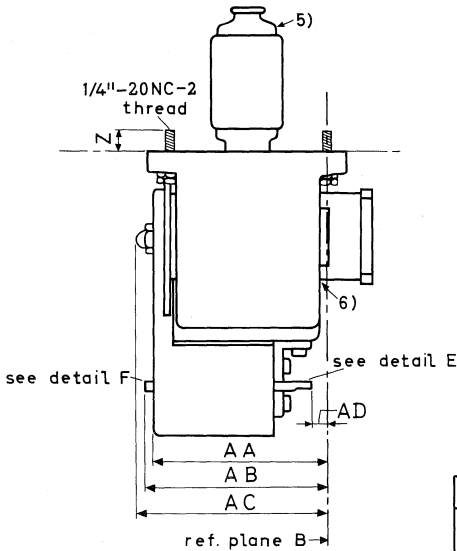
Frequency	f	=	8.5 to 9.6 GHz
Pulling figure (V.S.W.R. = 1.5)	Δf_p	<	13.5 MHz
Peak anode voltage at $I_{ap} = 27.5$ A	V_{ap}	=	20 to 23 kV
Capacitance anode to cathode	C_{ak}	=	9 to 13 pF

MECHANICAL DATA



For notes see page 5

MECHANICAL DATA (continued)

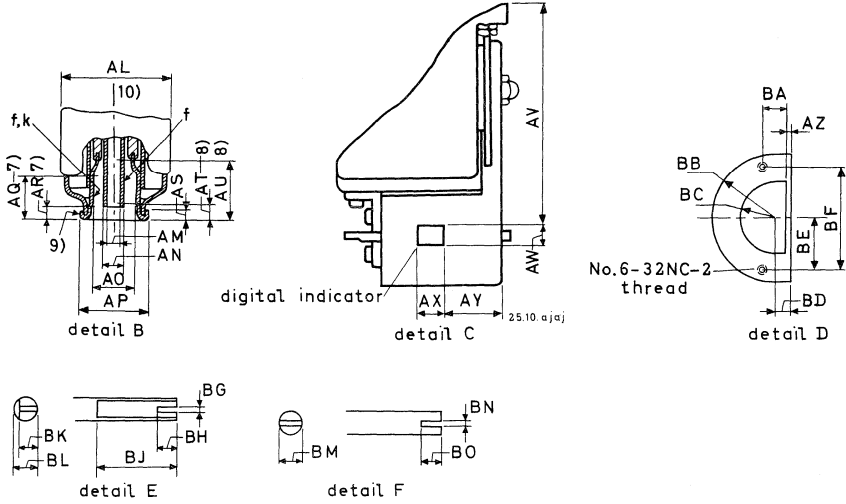


The millimeter dimensions have been derived from inches.

	mm	inch
A	195.25 max.	7.687 max.
B	95.94 ±1.19	3.777 ±.047
C	88.09 max.	3.468 max.
D	31.75	1.25
E	16.26 ±1.57	.640 ±.062
F	10.31 ±0.79	.406 ±.031
G	63.5 ±0.25	2.500 ±.010
H	7.14 ±0.12	.281 ±.005
J	98.42 max.	3.875 max.
K	79.37 ±1.57	3.125 ±.062
L	76.20 ±0.25	3.000 ±.010
M	38.10	1.500
N	73.02 max.	2.875 max.
O	58.42 max.	2.300 max.

	mm	inch
P	23.01 ±0.79	.906 ±.031
Q	31.75 ±1.19	1.250 ±.047
R	17.47 max.	.688 max.
S	31.75 ±1.57	1.250 ±.062
T	101.6 max.	4.000 max.
U	109.52 ±2.39	4.312 ±.094
V	0.79 min.	.031 min.
W	42.06 ±1.19	1.656 ±.047
X	68.25 ±1.57	2.687 ±.062
Y	139.7 max.	5.500 max.
Z	11.12 ±1.57	.438 ±.062
AA	83.82 max.	3.300 max.
AB	92.30 max.	3.633 max.
AC	96.52 max.	3.800 max.
AD	7.92 ±1.57	.312 ±.062
AE	46.48 ±0.76	1.830 ±.030
AF	37.44 ±0.10	1.474 ±.004
AG	12.62 ±0.25	.497 ±.010
AH	28.50 ±0.25	1.122 ±.010
AJ	34.34 ±0.10	1.352 ±.004
AK	46.48 ±0.76	1.830 ±.030

MECHANICAL DATA (continued)



The millimeter dimensions have been derived from inches.

	mm	inch
AL	44.45 max.	1.750 max.
AM	4.29 ±0.12	.169 ±.005
AN	6.35 ±0.38	.250 ±.015
AO	13.72 +0.12 -0.20	.540 +.005 -.008
AP	21.08 +0.20 -0.12	.830 +.008 -.005
AQ	13.11 min.	.516 min.
AR	3.96 max.	.156 max.
AS	3.17 ±0.25	.125 ±.010
AT	3.97 ±0.79	.156 ±.031
AU	19.05 min.	.750 min.
AV	105.08 ±3.81	4.137 ±.150
AW	9.13 ±0.79	.359 ±.031
AX	12.70 ±1.57	.500 ±.062
AY	28.19 ±1.57	1.110 ±.062
AZ	2.03 ±0.50	.080 ±.020
BA	8.74 ±0.79	.344 ±.031

	mm	inch
BB	25.4 max.	1.000 max.
BC	13.97 +0.43 -0.81	.550 +.017 -.032
BD	6.35 ±0.79	.250 ±.031
BE	19.05 ±0.38	.750 ±.015
BF	38.10 ±0.79	1.500 ±.031
BG	1.01 +0.12 -0.00	.040 +.005 -.000
BH	3.94 ±1.01	.155 ±.040
BJ	15.88 ±0.79	.625 ±.031
BK	3.96 ±0.25	.156 ±.010
BL	4.77 ±0.025	.188 ±.001
BM	4.77 ±0.025	.188 ±.001
BN	1.01 +0.12 -0.00	.040 +.005 -.000
BO	3.94 ±1.01	.155 ±.040

MECHANICAL DATA (continued)

Mounting position: any

Support: mounting flange

The waveguide output has been designed for coupling to standard rectangular waveguide RG-51/U

Waveguide output flange couples to modified UG-52A/U or UG-52B/U flange

Tuner torque: max. permissible value	=	13.8	cm kg
running	typ.	0.5	cm kg
starting	max.	1.5	cm kg

Number of turns of drive shaft to cover the freq. range from 8.5 to 9.6 GHz	approx.	160	turns
-----------------------------------------------------------------------------	---------	-----	-------

Net weight	max.	5.9	kg
------------	------	-----	----

- 1) Surface D (diameter 1.625", 41.3 mm) of the waveguide output flange, and the entire surface of the mounting flange are made so that they may be used to provide a hermetic seal.
All points of the mounting flange surface will be within 0.38 mm (.015") above or below reference plane A.
- 2) Viewing directly towards the waveguide flange, a clockwise rotation of the drive shaft decreases the frequency.
- 3) The axis of the heater-cathode terminal will be within the confines of a cylinder whose radius is 1.19 mm (.047") and whose axis is perpendicular to reference plane A at the specified location.
- 4) The limits include angular as well as lateral deviations.
- 5) Temperature of heater-cathode terminal measured here.
- 6) Anode temperature measured at junction of waveguide and anode block.
- 7) These dimensions define extremities of the 13.72 mm (.540") internal diameter of the cylindrical heater-cathode terminal.
- 8) These dimensions define extremities of the 4.29 mm (.169") internal diameter of the cylindrical heater terminal.
- 9) No part of the connector device for the heater and heater-cathode terminals should bear against the underside of this lip.
- 10) The heater terminal and the heater-cathode terminal are concentric to within 0.25 mm (.010").

LIMITING VALUES (Absolute limits)

Each limiting value should be regarded independently of other values, so that under no circumstances it is permitted to exceed a limiting value whichever.

Pulse duration ¹⁾	T_{imp}	=	max.	2.75	μs
Duty factor	δ	=	max.	0.0011	
Heater starting voltage	V_{f0}	=	max.	15	V
Heater surge peak current	$I_{f surge p}$	=	max.	12	A
Peak anode current ¹⁾	I_{ap}	=	min.	15	A
		=	max.	30	A
Average anode input power	W_i	=	max.	630	W
Peak anode input power	W_{ip}	=	max.	630	kW
Rate of rise of anode voltage ¹⁾					
for pulse duration $\leq 1.5 \mu s$	$\frac{\Delta V_a}{\Delta T_{rv}}$	=	min.	70	kV/ μs
		=	max.	225	kV/ μs
for pulse duration $> 1.5 \mu s$	$\frac{\Delta V_a}{\Delta T_{rv}}$	=	min.	70	kV/ μs
		=	max.	200	kV/ μs
Voltage standing wave ratio	V.S.W.R.	=	max.	1.5	
Anode temperature ²⁾	t_a	=	max.	150	$^{\circ}C$
Cathode and heater terminal temperature ³⁾	t	=	max.	165	$^{\circ}C$

The output assembly must always be pressurized. When the magnetron is not working into a matched load, the pressure on the output window must be higher than 1 kg/cm² absolute.

Input pressurization	p	=	min.	0.85	kg/cm ² abs.
				(625)	mm Hg)
Output pressurization	p	=	max.	3.2	kg/cm ² abs.

¹⁾ See section "Pulse definitions".

²⁾ For point of measurement see note 6 on the outline drawing.

³⁾ For point of measurement see note 5 on the outline drawing.

OPERATING CHARACTERISTICS

Pulse duration ¹⁾	T_{imp} =	0.13	0.34	0.6	1	μs
Pulse repetition frequency	f_{imp} =	2000	2080	1670	1000	Hz
Duty factor	δ =	0.00026	0.0007	0.001	0.001	
Peak anode voltage ¹⁾	V_{ap} =	21	21	21.5	21.5	kV
Rate of rise of voltage pulse	$\frac{\Delta V_a}{\Delta T_{rv}}$ =	200	200	200	200	kV/ μs
Peak anode current ¹⁾	I_{ap} =	24	24	27.5	27.5	A
Heater voltage, running	V_f =	9.7	3	0	0	V
Average output power	W_o =	52	140	225	225	W
Peak output power	W_{op} =	200	200	225	225	kW

The manufacturer should be consulted whenever it is considered to operate the magnetron at conditions substantially different from those given above.

COOLING

An adequate flow of cooling air should be directed through the ducts in the magnetron to keep the temperature of the anode block below 150 °C under any condition of operation. If necessary, the heater-cathode terminal should also be cooled to keep its temperature below 165 °C.

PRESSURE

The mounting flange and the output waveguide flange are designed to permit the use of pressure seals. For further particulars see under "Limiting values".

LIFE

The life of the magnetron depends on the operating conditions, and is expected to be longer at shorter pulse lengths.

¹⁾ See section "Pulse definitions".

STARTING A NEW MAGNETRON

This magnetron is provided with a getter, so that ageing of a new magnetron or of a magnetron that has been idle or stored for a period of time, will not be necessary in most cases. If, however, the magnetron is put into operation and some sparking and instability occur incidentally, it is recommended to increase the anode current gradually and to operate the magnetron with reduced input during 15 to 30 minutes. After this period sparking usually ceases.

TUNING MECHANISM

The frequency of the magnetron decreases at clockwise rotation of the tuner drive shaft, as viewed directly towards the waveguide flange.

A digital indicator provides a visual indication of the magnetron frequency. A number of frequencies and the corresponding indicator settings are indicated on the wall of the tuner box (see outline drawing).

Axial stress on the tuning mechanism should be avoided. The tuner shaft should therefore be driven via a flexible coupling. The torque on the tuner shaft must never exceed 13.8 cm kg. Adjustment of the tuning mechanism beyond the stated frequency limits must not be attempted. The starting torque required to operate the tuner shaft is max. 1.5 cm kg. The tuner drive should be capable of supplying 2.3 cm kg.

CIRCUIT NOTES

- a. In order to prevent heater burn-out the negative high-voltage pulse must be applied to the common cathode-heater terminal.
- b. If no load isolator is inserted between the magnetron and the transmission line, the latter should be as short as possible to prevent long-line effects. Under no circumstances should the magnetron be operated with a V.S.W.R. of the load exceeding 1.5. A ratio kept near unity will benefit tube life and reliability.
- c. The modulator must be so designed that, if arcing occurs, the energy per pulse delivered to the magnetron does not considerably exceed the normal energy per pulse.
- d. It is required to bypass the magnetron heater with a 1000 V rated capacitor of min. 4000 pF directly across the heater terminals.
- e. Any diode current flowing during the intervals between the pulses should be taken into account when the peak anode current is calculated from the measured average anode current.
The occurrence of this diode current can be avoided by preventing that during the intervals between the pulses the anode voltage becomes positive with respect to the cathode.

- f. The unwanted noise that may occur when the anode pulse voltage drops below the value required for oscillation can be minimized by making the trailing edge of the voltage pulse as steep as possible.

PULSE CHARACTERISTICS AND DEFINITIONS

The smooth peak value (V_{ap} or I_{ap}) of a pulse is the maximum value of a smooth curve through the average of the fluctuations over the top portion of the pulse as shown in the figures below.

The rate of rise of anode voltage is defined by the steepest tangent to the leading edge of the voltage pulse above 50 % of the smooth peak value (fig.1). Any capacitance used in a removable viewing system shall not exceed 6 pF. For calculation of the rate of rise of anode voltage the 100 % value must be taken as 21.5 kV.

The pulse duration (T_{imp}) is the time interval between the two points on the current pulse at which the current is 50 % of the smooth peak current (fig.2).

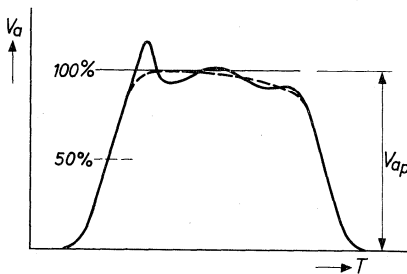


Fig.1

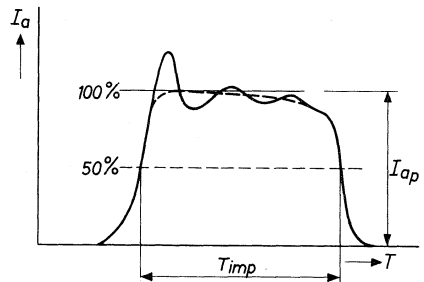


Fig.2

The current pulse must be substantially square and the ripple over the top portion of the current pulse must be kept as small as possible to avoid unwanted frequency modulation due to pushing effects. The spike on the top portion of the pulse must be small to avoid excessive peak pulse current. The leading edge of the pulse must be free from irregularities.

STORAGE, HANDLING AND MOUNTING

The original packing should be used for the transport of the magnetron.

The magnetron should never be held by the heater-cathode stem. Rough treatment of the envelope and of the cooling fins may impair the electrical characteristics or may result in loss of vacuum.

When storing, the packaged magnetrons should be kept not less than 15 cm (6 inches) apart, to prevent a decrease of field strength of the magnetron magnet as a result of interaction with the adjacent magnets. If the magnetrons are stored in their original inner container, no special precautions need be taken with regard to the distance apart. If the magnetrons are stored without their inner container, they should be stored in non-magnetic surroundings e.g. on wooden shelves. When the tubes can not be stored at normal temperature and atmosphere they must be stored in protective packing.

When handling and mounting the magnetron, a minimum distance of 5 cm (2 inches) between the magnet and any piece of magnetic material should be maintained to avoid mechanical shocks to the magnet or to the glass of the heater-cathode stem. For this reason it is required to use non-magnetic tools during installation, such as non-magnetic stainless steel, brass, beryllium copper and aluminium. Furthermore, the user should be aware of the detrimental influence of the strong magnetic field around the magnet on watches and other precision instruments nearby.

A dust-cover is placed on the output flange, to keep its opening closed until the tube is mounted into the equipment. Before putting the magnetron into operation, the user should make sure that the output waveguide and the recessed cathode terminal are entirely clean and free from dust and moisture.

The magnetron should be mounted by means of its mounting flange; it should be secured to the chassis by means of the four captive screws (thread 1/4"-20NC-2). Special attention has been given to the flatness of the mounting flange so that, if necessary, a pressure seal can be made for the input assembly. Consequently, the mounting surface should be sufficiently flat to avoid deformation of the flange. Furthermore, the mounting should be sufficiently flexible and adjustable so that no strain is exerted on the output system when the mounting nuts are tightened and when the output system is being coupled to the waveguide in the equipment.

To fasten the magnetron output flange to the RG-51/U waveguide, a choke flange type UG-52A/U or UG-52B/U should be used. These flanges must be modified by reaming the four mounting holes with a No.15 drill. It can then be fastened to the magnetron output flange by means of four bolts of size 8-32. This connection should be such that a reliable contact is established, in order to avoid arcing and other bad contact effects.

Flexible non-magnetic conduits should be fastened to both air inlet flanges, by means of non-magnetic 6-32 screws.

A connector with flexible supply leads should be used for the connection of heater and heater-cathode terminals.

PULSED MAGNETRON

Tunable air cooled packaged magnetron for use as a pulsed oscillator at frequencies between 8.5 and 9.6 GHz. This magnetron is capable of delivering a peak output power of approximately 225 kW and can be pulsed by a hard tube, line type or magnetic modulator.

The YJ1011 differs mechanically from the YJ1010 in the location of the tuning control and the micrometer type indicator provided to facilitate frequency calibration of each tube. The tuning knob must be pushed in to engage the tuning mechanism.

QUICK REFERENCE DATA		
Frequency, tunable within the band	f	8.5 to 9.6 GHz
Peak output power	W_{op}	225 kW
Construction		packaged

GENERAL

Cathode

Heating: indirect by A.C. or D.C.

Heater voltage, starting and stand-by V_f 13.75 V \pm 10 %

Heater current at $V_f = 13.75$ V I_f 3.1 A \pm 0.2 A

Heater surge peak current $I_{f \text{ surgep}}$ max. 12 A

Cold heater resistance R_{fo} min. 0.53 Ω

Heating time before application
of high voltage ($V_f = 13.75$ V) T_w min. 2.5 min

Immediately after the high voltage has been applied, the heater voltage must be reduced in accordance with the formula:

$$\text{for } W_i \text{ up to } 450 \text{ W: } V_f = 13.75 \left(1 - \frac{W_i}{450}\right) \text{ V (See sheet 9)}$$

$$\text{for } W_i > 450 \text{ W : } V_f = 0 \text{ V}$$

where W_i (in W) = duty factor x peak anode current (in A) x 21500

Date based on pre-production tubes

OUTLINE DIMENSIONS

Millimeter dimensions have been derived from inches.

Dim.	mm	inch
A	195.25 max.	7.687 max.
B	69.85 max.	2.75 max.
C	88.09 max.	3.468 max.
D	31.75	1.25
E	152.40 max.	6.0 max.
F	10.31 \pm 0.79	.406 \pm .031
G	63.5 \pm 0.25	2.500 \pm .010
H	7.14 \pm 0.12	.281 \pm .005
J	98.42 max.	3.875 max.
K	15.95 max.	0.628 max.
L	76.20 \pm 0.25	3.000 \pm .010
M	38.10	1.500
N	73.02 max.	2.875 max.
P	23.01 \pm 0.79	.906 \pm .031
Q	31.75 \pm 1.19	1.250 \pm .047
V	0.79 min.	.031 min.
W	42.06 \pm 1.19	1.656 \pm .047
X	68.25 \pm 1.57	2.687 \pm .062
Y	86.52 max.	3.406 max.
Z	11.12 \pm 1.57	.438 \pm .062

Dim.	mm	inch
AE	46.48 \pm 0.76	1.830 \pm .030
AF	37.44 \pm 0.10	1.474 \pm .004
AG	12.62 \pm 0.25	.497 \pm .010
AH	28.50 \pm 0.25	1.122 \pm .010
AJ	34.34 \pm 0.10	1.352 \pm .004
AK	46.48 \pm 0.76	1.830 \pm .030
AL	38.10 max.	1.500 max.
AM	4.29 \pm 0.12	.169 \pm .005
AN	6.35 \pm 0.38	.250 \pm .015
AO	13.72 \pm 0.12	.540 \pm .005
	- 0.20	- .008
AP	21.08 \pm 0.20	.830 \pm .008
	- 0.12	- .005
AQ	13.11 min.	.516 min.
AR	3.96 max.	.156 max.
AS	3.17 \pm 0.25	.125 \pm .010
AT	3.97 \pm 0.79	.156 \pm .031
AU	19.05 min.	.750 min.

Dimensional outline notes (continued)

2. The axis of the heater-cathode terminal will be within the confines of a cylinder whose radius is 1.19 mm (.047") and whose axis is perpendicular to reference plane A at the specified location.
3. All points of the mounting flange surface will be within 0.38 mm (.015") above or below reference plane A.
4. The limits include angular as well as lateral deviations.
5. Temperature of heater-cathode terminal measured here.
6. Anode temperature measured at junction of waveguide and anode block.
7. These dimensions define extremities of the 13.72 (.540") internal diameter of the cylindrical heater-cathode terminal.
8. These dimensions define extremities of the 4.29 mm (.169") internal diameter of the cylindrical heater terminal.
9. No part of the connector device for the heater and heater-cathode terminals should bear against the underside of this lip.
10. The heater terminal and the heater-cathode terminal are concentric to within 0.25 mm (.010")

MECHANICAL DATA (continued)

Tuner torque,

max. permissible at tuning-range stops		14.4	cmkg
running torque	max.	10.8	cmkg
starting torque	max.	10.8	cmkg

Number of turns of tuning shaft with associated calibrated indicator to cover the frequency range of 8.5 to 9.6 GHz

approx. 8.5 turns

TYPICAL CHARACTERISTICS

Frequency	f	8.5 to 9.6	GHz
Pulling figure (V.S.W.R. = 1.5)	Δf_p	max. 15	MHz
Peak anode voltage at $I_{ap} = 27.5$ A	V_{ap}	20 to 23	kV
Capacitance anode to cathode	C_{ak}	9 to 13	pF

LIMITING VALUES (Absolute max. rating system)

Each limiting value should be regarded independently of other values, so that under no circumstances it is permitted to exceed a limiting value whichever.

Pulse duration	1)	T_{imp}	max. 2.6	μs
Duty factor		δ	max. 0.0011	
Heater starting voltage		V_{fo}	max. 15	V
Heater surge peak current		$I_{f surgep}$	max. 12	A
Peak anode current	1)	I_{ap}	min. 15	A
			max. 30	A
Anode input power, average		W_i	max. 630	W
Anode input power, peak		W_{ip}	max. 630	kW
Rate of rise of anode voltage	1)	dV_a/dT	min. 70	kV/ μs
			max. 200	kV/ μs
Voltage standing wave ratio			max. 1.5	
Anode temperature	2)	t_a	max. 150	$^{\circ}C$

1) See section "Pulse definitions"

2) For point of measurement see note 6 on the outline drawing.

LIMITING VALUES (continued)

Cathode and heater terminal temperature ¹⁾	t	max.	165 °C
Input pressurization	p	min.	0.85 kg/cm ² abs. (625 mm Hg)
Output pressurization	p	max.	3.2 kg/cm ² abs.

The output assembly must always be pressurized.

When the magnetron is not working into a matched load, the pressure on the output window must be higher than 1 kg/cm² abs.

OPERATING CHARACTERISTICS

Pulse duration	²⁾ T _{imp}	0.13	0.25	0.5	1 μs
Pulse repetition frequency	f _{imp}	2000	4000	2000	1000 Hz
Duty factor	δ	0.00026	0.001	0.001	0.001
Peak anode voltage	²⁾ V _{ap}	21	21.5	21.5	21.5 kV
Rate of rise of voltage					
pulse ²⁾	dV _a /dT	200	200	200	200 kV/μs
Peak anode current	²⁾ I _{ap}	24	27.5	27.5	27.5 A
Heater voltage, running	V _f	9.7	0	0	0 V
Average output power	W _O	52	225	225	225 W
Peak output power	W _{Op}	200	225	225	225 kW

The manufacturer should be consulted whenever it is considered to operate the magnetron at conditions substantially different from those given above.

COOLING

An adequate flow of cooling air should be directed along the cooling fins toward the body of the tube to keep the temperature of the anode block below 150°C under any condition of operation. If necessary, the heater-cathode terminal should also be cooled to keep its temperature below 165 °C.

PRESSURE

The mounting flange and the output waveguide flange are designed to permit the use of pressure seals. For further particulars see under "Limiting values"

¹⁾ For point of measurement see note 5 on the outline drawing.

²⁾ See section "Pulse definitions"

LIFE

The life of the magnetron depends on the operating conditions, and is expected to be longer at shorter pulse lengths.

STARTING A NEW MAGNETRON

This magnetron is provided with a getter, so that aging (of a new magnetron or of a magnetron that has been idle or stored for a period of time) will not be necessary in most cases. If, however, the magnetron is put into operation and some sparking and instability occur incidentally, it is recommended to increase the anode current gradually and to operate the magnetron with reduced input during 15 to 30 minutes. After this period sparking usually ceases.

TUNING MECHANISM

The frequency of the magnetron increases at clockwise rotation of the knurled tuning knob on the tuning shaft as viewed directly towards the waveguide flange. A micrometer-type indicator provides a visual indication of the magnetron frequency. A number of frequencies and the corresponding micrometer settings are marked on the tube. The YJ1011 is tuned by pushing in the knurled tuning knob and turning it until the desired setting of the calibrated indicator is reached.

Adjustment of the tuning mechanism beyond the stated frequency limits must not be attempted. The torque required to start the tuning shaft and to tune the tube over the required frequency range in each direction is max. 10.8 cmkg.

CIRCUIT NOTES

- a. In order to prevent heater burn-out the negative high-voltage pulse must be applied to the common cathode-heater terminal.
- b. If no load isolator is inserted between the magnetron and the transmission line, the latter should be as short as possible to prevent long-line effects. Under no circumstances should the magnetron be operated with a V.S.W.R. of the load exceeding 1.5. A ratio kept near unity will benefit tube life and reliability.
- c. The modulator must be so designed that, if arcing occurs, the energy per pulse delivered to the magnetron does not considerably exceed the normal energy per pulse.
- d. It is required to bypass the magnetron heater with a 1000 V rated capacitor of min. 4 nF directly across the heater terminals.

CIRCUIT NOTES (continued)

- e. Any diode current flowing during the intervals between the pulses should be taken into account when the peak anode current is calculated from the measured average anode current.
The occurrence of this diode current can be avoided by preventing that during these intervals the anode voltage becomes positive with respect to the cathode.
- f. The unwanted noise that may occur when the anode pulse voltage drops below the value required for oscillation can be minimized by making the trailing edge of the voltage pulse as steep as possible.

PULSE CHARACTERISTICS AND DEFINITIONS

The smooth peak value (V_{ap} or I_{ap}) of a pulse is the maximum value of a smooth curve through the average of the fluctuation over the top portion of the pulse as shown in the figures below.

The rate of rise of anode voltage is defined by the steepest tangent to the leading edge of the voltage pulse above 50 % of the smooth peak value (fig.1). Any capacitance used in a removable viewing system shall not exceed 6 pF. For calculation of the rate of rise of anode voltage the 100 % value must be taken as 21.5 kV.

The pulse duration (T_{imp}) is the time interval between the two points on the current pulse at which the current is 50 % of the smooth peak current (fig.2).

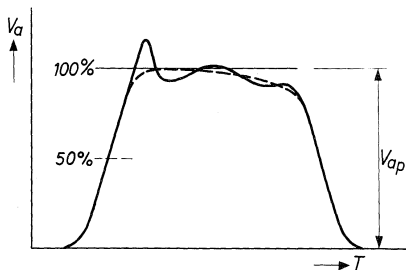


Fig.1

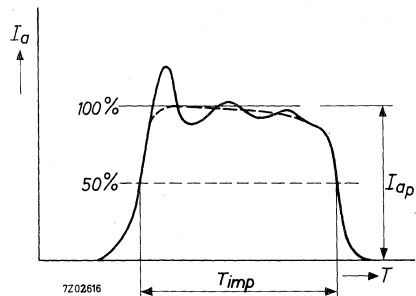


Fig.2

The current pulse must be substantially square and the ripple over the top portion of the current pulse must be kept as small as possible to avoid unwanted frequency modulation due to pushing effects. The spike on the top portion of the pulse must be small to avoid excessive peak pulse current. The leading edge of the pulse must be free from irregularities.

STORAGE, HANDLING AND MOUNTING

The original packing should be used for the transport of the magnetron.

The magnetron should never be held by the heater-cathode stem. Rough treatment of the envelope and of the cooling fins may impair the electrical characteristics or may result in loss of vacuum.

When storing, the packaged magnetrons should be kept not less than 15 cm (6 inches) apart, to prevent a decrease of field strength of the magnetron magnet as a result of interaction with the adjacent magnets. If the magnetrons are stored in their original inner container, no special precautions need be taken with regard to the distance apart. If the magnetrons are stored without their inner container, they should be stored in non-magnetic surroundings e.g. on wooden shelves. When the tubes can not be stored at normal temperature and atmosphere they must be stored in protective packing.

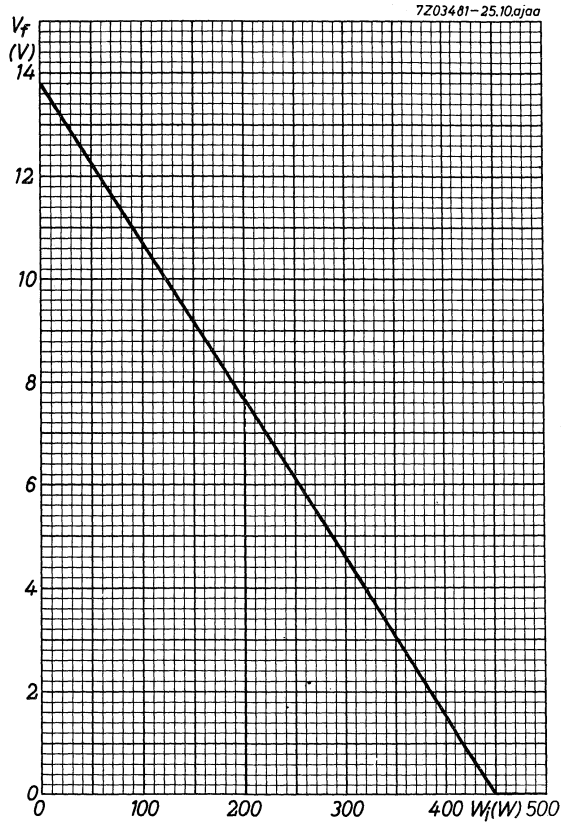
When handling and mounting the magnetron, a minimum distance of 5 cm (2 inches) between the magnet and any piece of magnetic material should be maintained to avoid mechanical shocks to the magnet or to the glass of the heater-cathode stem. For this reason it is required to use non-magnetic tools during installation, such as non-magnetic stainless steel, brass, beryllium copper and aluminium. Furthermore, the user should be aware of the detrimental influence of the strong magnetic field around the magnet on watches and other precision instruments nearby.

A dust-cover is placed on the output flange, to keep its opening closed until the tube is mounted into the equipment. Before putting the magnetron into operation, the user should make sure that the output waveguide and the recessed cathode terminal are entirely clean and free from dust and moisture.

The magnetron should be mounted by means of its mounting flange; it should be secured to the chassis by means of the four captive screws (thread 1/4" - 20NC-2). Special attention has been given to the flatness of the mounting flange so that, if necessary, a pressure seal can be made for the input assembly. Consequently, the mounting surface should be sufficiently flat to avoid deformation of the flange. Furthermore, the mounting should be sufficiently flexible and adjustable so that no strain is exerted on the output system when the mounting nuts are tightened and when the output system is being coupled to the waveguide in the equipment.

To fasten the magnetron output flange to the RG-51/U waveguide, a choke flange type UG-52A/U or UG-52B/U should be used. These flanges must be modified by reaming the four mounting holes with a No.15 drill. It can then be fastened to the magnetron output flange by means of four bolts of size 8-32. This connection should be such that a reliable contact is established, in order to avoid arcing and other bad contact effects.

A connector with flexible supply leads should be used for the connection of heater and heater-cathode terminals.



PULSED MAGNETRON

Packaged magnetron intended for service as a pulsed oscillator at a fixed frequency. It has been designed for very short pulse operation and it is especially suited for use in high-definition short-range radar systems.

The YJ1020 incorporates a dispenser type of cathode to provide a long life. A getter to maintain a high vacuum minimizes any tendency towards arcing, even when the magnetron is taken into operation after a period of storage.

The waveguide output is designed for coupling to rectangular waveguide RG-96/U (E.I.A. designation WR28, British designation WG22) with outside dimensions 0.360" x 0.220".

QUICK REFERENCE DATA

Frequency, fixed within the band	f	32.7 to 33.4 GHz
Peak output power	W_{op}	25 kW
Construction		packaged

GENERAL

Cathode dispenser type

Heating indirect

Heater starting voltage	V_{fo}	=	4 V	+ 10 % - 5 %
Heater current at $V_f = 4$ V	I_f	=	3.4 A	± 0.7 A
Heater surge peak current	$I_{fsurgep}$	=	max. 8 A	
Cold heater resistance	R_{fo}	=	min. 0.16 Ω	
Heating time before application of high voltage ($V_f = 4$ V)	T_w	=	min. 3 min	

In case the input power will be greater than 22 W, it is necessary to prevent overheating of the cathode by reducing the heater voltage immediately when the magnetron starts oscillating after the high voltage has been switched on. See sheet 8

TYPICAL CHARACTERISTICS

Distance of voltage standing wave minimum ¹⁾	= 0.05 to 0.25 λ_g = 0.58 to 3.15 mm
Stable range: peak anode current	I_{ap} = 6 to 16 A
Peak anode voltage at $I_{ap} = 10.5$ A	V_{ap} = 11.5 to 13.5 kV
Negative temperature coefficient	$-\frac{\Delta f}{\Delta t}$ = max. 1 MHz per °C
Pulling figure (at V.S.W.R. = 1.5)	Δf_p = typ. 40 MHz
	Δf_p = max. 50 MHz
Pushing figure	$\frac{\Delta f}{\Delta I_{ap}}$ = max. 4 MHz per A
Capacitance anode to cathode	C_{ak} = 7 pF

LIMITING VALUES (Absolute max. rating system)

Each limiting value should be regarded independently of other values, so that under no circumstances it is permitted to exceed a limiting value whichever. It does not necessarily follow that combination of limiting values can be attained simultaneously.

Pulse duration ²⁾	T_{imp} = max. 0.05 μs
Duty factor	δ = max. 0.0003
Heater starting voltage	V_{f0} = max. 4.4 V
Heater surge peak current	$I_{f surge p}$ = max. 8 A
Peak anode current ²⁾	I_{ap} = max. 16 A
Average anode input power	W_{i_a} = max. 60 W
Rate of rise of anode voltage ²⁾	dV_a/dT = min. 200 kV/ μs
	dV_a/dT = max. 400 kV/ μs
Voltage standing wave ratio	V.S.W.R. = max. 1.5
Anode temperature ³⁾	t_a = max. 150 °C
Cathode and heater terminal temperature	t = max. 150 °C
Pressure	p = min. 45 cm Hg

¹⁾²⁾³⁾ See page 3.

TYPICAL OPERATION

Heater voltage	V_f	=	4	V
Pulse duration ²⁾	T_{imp}	=	0.04 x)	μs
Duty factor	δ	=	0.0001	
Peak anode voltage ²⁾	V_{ap}	=	11.5 to 13.5	kV
Rate of rise of voltage pulse ²⁾	dV_a/dT	=	300	kV/ μs
Average anode current, pre-oscillation current included	I_a	=	1.6	mA
Peak anode current ²⁾	I_{ap}	=	10.5	A
Average output power	W_o	=	2.5	W
Peak output power	W_{op}	=	25	kW

x) Magnetic modulator

The manufacturer should be consulted whenever it is considered to operate the magnetron at conditions substantially different from those given above.

COOLING

Radiation and convection

For normal operating conditions no additional cooling of the magnetron will be required to keep the temperature of the anode block and of the heater seals below 150 °C.

PRESSURE

The magnetron need not be pressurized when operating at atmospheric pressure. To prevent arcing the pressure must exceed 45 cm Hg. (Absolute limit)

LIFE

The life of the magnetron depends on the operating conditions, and is expected to be longer at shorter pulse durations.

¹⁾ The distance of the V.S.W. minimum outside the tube is between 0.05 and 0.25 λ_g (0.58 and 3.15 mm) with respect to reference plane A (see outline drawing), measured with a standard cold test technique at the frequency of the oscillating magnetron operating into a matched load.

²⁾ See section "Pulse definitions"

³⁾ Measured on the anode block between the second and third cooling fin.

STARTING A NEW MAGNETRON

This magnetron is provided with a getter, so that ageing (of a new magnetron or of a magnetron that has been idle or stored for a period of time) will not be necessary in most cases. If, however, the magnetron is put into operation and some sparking and instability occur incidentally, it is recommended to increase the anode current gradually and to operate the magnetron with reduced input during 15 to 30 minutes. After this period sparking usually ceases.

CIRCUIT NOTES

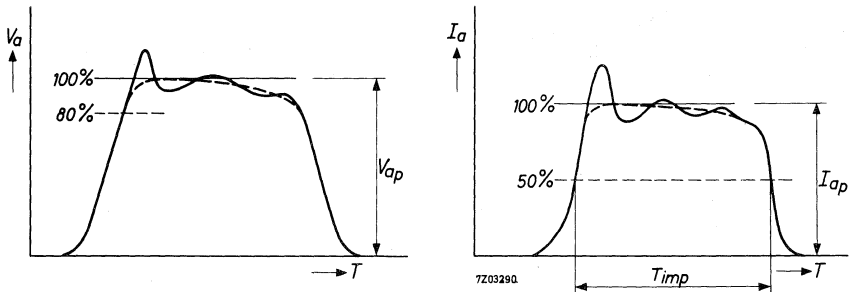
- a) In order to prevent heater burn-out the negative high-voltage pulse must be applied to the common cathode-heater terminal.
- b) If no load isolator is inserted between the magnetron and the transmission line, the latter should be as short as possible to prevent long-line effects. Under no circumstances should the magnetron be operated with a V.S.W.R. of the load exceeding 1.5. A ratio kept near unity will benefit tube life and reliability.
- c) The modulator must be so designed that, if arcing occurs, the energy per pulse delivered to the magnetron does not considerably exceed the normal energy per pulse. Modulators of the pulse-forming-network discharge type usually satisfy this requirement.
- d) It is required to bypass the magnetron heater with a 1000 V rated capacitor of minimum 4 nF directly across the heater terminals.
- e) Any diode current flowing during the intervals between the pulses should be taken into account when the peak anode current is calculated from the measured average anode current. The occurrence of this diode current can be avoided by preventing that during these intervals the anode voltage becomes positive with respect to the cathode.
- f) The unwanted noise that may occur when the anode pulse voltage drops below the value required for oscillation can be minimized by making the trailing edge of the voltage pulse as steep as possible.

PULSE CHARACTERISTICS AND DEFINITIONS

The smooth peak value (V_{ap} or I_{ap}) of a pulse is the maximum value of a smooth curve through the average of the fluctuation over the top portion of the pulse as shown in the figure below.

The rate of rise of anode voltage is defined by the steepest tangent to the leading edge of the voltage pulse above 80 % of the smooth peak value (fig.1). Any capacitance used in a removable viewing system shall not exceed 6 pF. For calculation of the rate of rise of anode voltage the 100 % value must be taken as 12.5 kV.

The pulse duration (T_{imp}) is the time interval between the two points on the current pulse at which the current is 50 % of the smooth peak current (fig.2).



The current pulse must be substantially square and the ripple over the top portion of the current pulse must be kept as small as possible to avoid unwanted frequency modulation due to pushing effects. The spike on the top portion of the pulse must be small to avoid excessive peak pulse current. The leading edge of the pulse must be free from irregularities.

STORAGE, HANDLING AND MOUNTING

The original packing should be used for the transport of the magnetron.

The magnetron should never be held by the heater cathode stem.

Rough treatment of the metal envelope and of the cooling fins may impair the electrical characteristics or may result in loss of vacuum.

When storing, the packaged magnetrons should be kept not less than 15 cm (6 inches) apart, to prevent a decrease of field strength of the magnetron magnet as a result of interaction with the adjacent magnets. If the magnetrons are stored in their original inner container, no special precautions need be taken with regard to the distance apart. If the magnetrons are stored without their inner container, they should be stored in non-magnetic surroundings e.g. on wooden shelves.

STORAGE, HANDLING AND MOUNTING (continued)

When handling and mounting the magnetron, a minimum distance of 5 cm (2 inches) between the magnet and any piece of magnetic material should be maintained to avoid mechanical shocks to the magnet or the glass of the heater-cathode stem. For this reason it is required to use non-magnetic tools during installation, such as non-magnetic stainless steel, brass, beryllium copper and aluminium. Furthermore, the user should be aware of the detrimental influence of the strong magnetic field around the magnet on watches and other precision instruments nearby.

Mounting of the magnetron should be accomplished by means of its mounting flange. The tube should in no case be supported by the coupling to the waveguide output flange alone.

A dust-cover is placed on the output flange, to keep its opening closed until the tube is mounted into the equipment. Before putting the magnetron into operation, the user should make sure that the output waveguide and the recessed cathode terminal are entirely clean and free from dust and moisture.

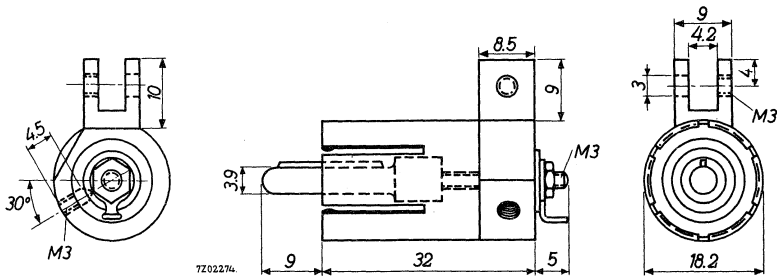
MECHANICAL DATA

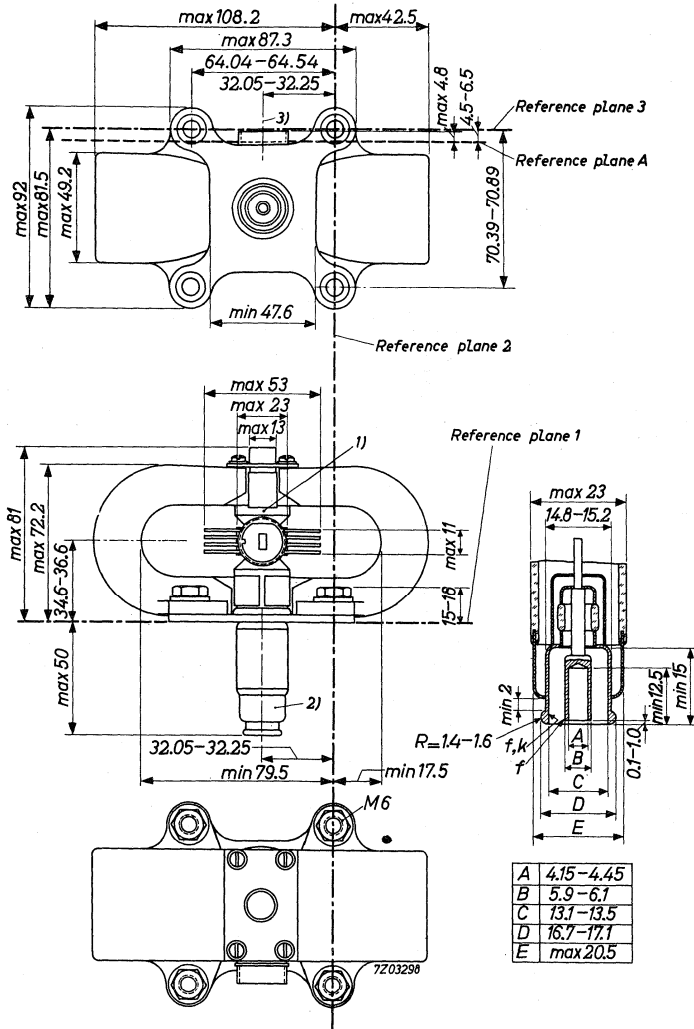
- Mounting position : any
- Net weight : 1.9 kg
- Waveguide output system : RG-96/U
- Waveguide coupling system: Z8 300 16

To facilitate this coupling the components Z8 300 17 and Z8 300 19 have been fixed permanently to the magnetron

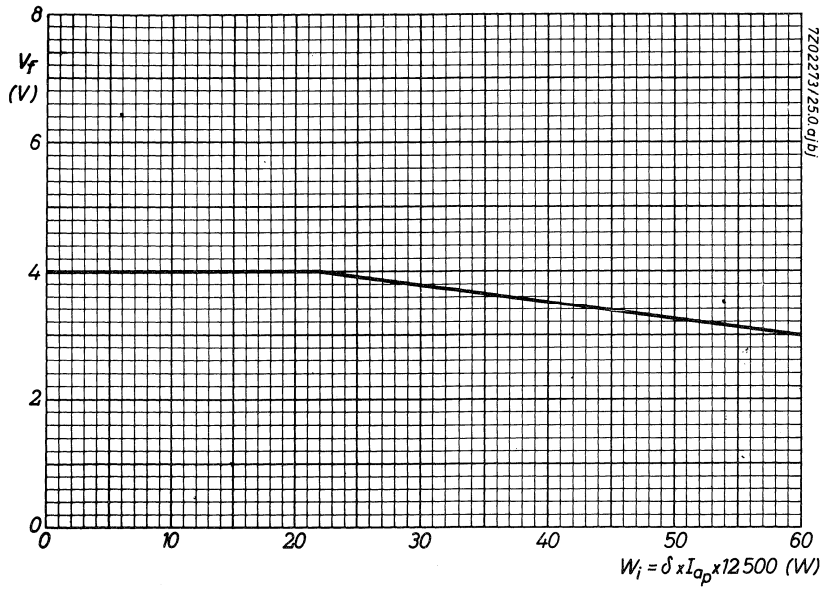
Cathode connector : 55356

The mounting flange and the waveguide output system are so made that the magnetron can be used in applications requiring a pressure seal. They can be maintained at a pressure of maximum 3.1 kg/cm^2 (45 lbs/sq. in).





- 1) Inscription of serial number.
- 2) The axis of the common cathode-heater terminal is within a radius 1.5 mm from the specified position. The eccentricity of the axis of the inner cylinder of the heater terminal with respect to the axis of the inner cylinder of the common cathode-heater terminal is max. 0.125 mm.
- 3) Centre of waveguide.



PULSED MAGNETRON

Packaged magnetron intended for service as a pulsed oscillator at a fixed frequency. It has been designed for very short pulse operation and it is especially suited for use in high-definition short-range radar systems.

The YJ1021 incorporates a dispenser type of cathode to provide a long life. A getter to maintain a high vacuum minimizes any tendency towards arcing, even when the magnetron is taken into operation after a period of storage.

The waveguide output is designed for coupling to rectangular waveguide RG-96/U (E.I.A. designation WR28, British designation WG22) with outside dimensions 0.360" x 0.220".

QUICK REFERENCE DATA

Frequency, fixed within the band	f	32.7 to 33.4	GHz.
Peak output power	W_{op}	30	kW
Construction		packaged	

GENERAL

Cathode dispenser type

Heating indirect

Heater starting voltage	V_{fo}	=	4 V	$\begin{matrix} +10\% \\ -5 \end{matrix}$
Heater current at $V_f = 4$ V	I_f	=	3.4 A	± 0.7 A
Heater surge peak current	$I_{f \text{ surge } p}$	= max.	8 A	
Cold heater resistance	R_{fo}	= min.	0.16 Ω	
Heating time before application of high voltage ($V_f = 4$ V)	T_w	= min.	3 min	

In case the input power will be greater than 22 W, it is necessary to prevent overheating of the cathode by reducing the heater voltage immediately when the magnetron starts oscillating after the high voltage has been switched on. See sheet 8

TYPICAL CHARACTERISTICS

Distance of voltage standing wave minimum ¹⁾	= 0.05 to 0.25 λ_g = 0.58 to 3.15 mm
Stable range: peak anode current	I_{ap} = 6 to 16 A
Peak anode voltage at $I_{ap} = 12.5$ A	V_{ap} = 11.5 to 13.5 kV
Negative temperature coefficient	$-\frac{\Delta f}{\Delta t}$ = max. 1 MHz per °C
Pulling figure (at V.S.W.R. = 1.5)	Δf_p = typ. 40 MHz
	Δf_p = max. 50 MHz
Pushing figure	$\frac{\Delta f}{\Delta I_{ap}}$ = max. 4 MHz per A
Capacitance anode to cathode	C_{ak} = 7 pF

LIMITING VALUES (Absolute max. rating system)

Each limiting value should be regarded independently of other values, so that under no circumstances it is permitted to exceed a limiting value whichever. It does not necessarily follow that combination of limiting values can be attained simultaneously.

Pulse duration ²⁾	T_{imp} = max. 0.5 μs
Duty factor	δ = max. 0.0003
Heater starting voltage	V_{fo} = max. 4.4 V
Heater surge peak current	$I_{f surge p}$ = max. 8 A
Peak anode current ²⁾	I_{ap} = max. 16 A
Average anode input power	W_{ia} = max. 60 W
Rate of rise of anode voltage ²⁾ for pulse duration < 0.1 μs	dV_a/dT = min. 200 kV/ μs = max. 400 kV/ μs
	for pulse duration $\geq 0.1 \mu s$
Voltage standing wave ratio	V.S.W.R. = max. 1.5
Anode temperature ³⁾	t_a = max. 150 °C
Cathode and heater terminal temperature	t = max. 150 °C
Pressure	p = min. 45 cm Hg

^{1) 2) 3)} See page 3.

TYPICAL OPERATION

Heater voltage	$V_f =$	4	3.8	3.8 V
Pulse duration ²⁾	$T_{imp} =$	0.04 ^{x)}	0.1	0.3 μs
Duty factor	$\delta =$	0.0001	0.0002	0.0002
Peak anode voltage ²⁾	$V_{ap} =$	11.5 to 13.5	11.5 to 13.5	11.5 to 13.5 kV
Rate of rise of voltage pulse ²⁾	$dV_a/dT =$	300	250	250 kV/ μs
Average anode cur- rent, pre-oscillation current included	$I_a =$	1.6	2.5	2.5 mA
Peak anode current ²⁾	$I_{ap} =$	10.5	12.5	12.5 A
Average output power	$W_o =$	2.5	6	6 W
Peak output power	$W_{op} =$	25	30	30 kW

x) Magnetic modulator

The manufacturer should be consulted whenever it is considered to operate the magnetron at conditions substantially different from those given above.

COOLING**Radiation and convection**

For normal operating conditions no additional cooling of the magnetron will be required to keep the temperature of the anode block and of the heater seals below 150 °C.

PRESSURE

The magnetron need not be pressurized when operating at atmospheric pressure. To prevent arcing the pressure must exceed 45 cm Hg. (Absolute limit).

LIFE

The life of the magnetron depends on the operating conditions, and is expected to be longer at shorter pulse durations.

1) The distance of the V.S.W. minimum outside the tube is between 0.05 and 0.25 λ_g (0.58 and 3.15 mm) with respect to reference plane A (see outline drawing), measured with a standard cold test technique at the frequency of the oscillating magnetron operating into a matched load.

2) See section "Pulse definitions".

3) Measured on the anode block between the second and third cooling fin.

STARTING A NEW MAGNETRON

This magnetron is provided with a getter, so that ageing (of a new magnetron or of a magnetron that has been idle or stored for a period of time) will not be necessary in most cases. If, however, the magnetron is put into operation and some sparking and instability occur incidentally, it is recommended to increase the anode current gradually and to operate the magnetron with reduced input during 15 to 30 minutes. After this period sparking usually ceases.

CIRCUIT NOTES

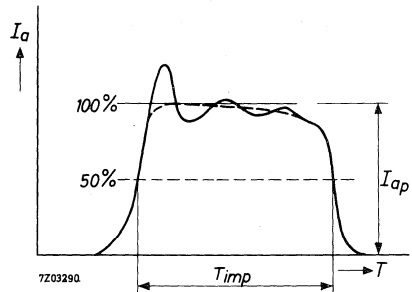
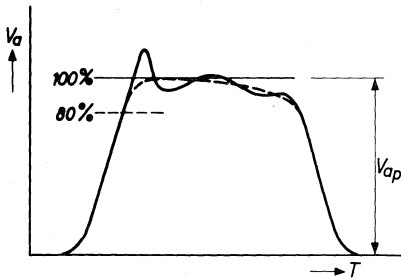
- a) In order to prevent heater burn-out the negative high-voltage pulse must be applied to the common cathode-heater terminal.
- b) If no load isolator is inserted between the magnetron and the transmission line, the latter should be as short as possible to prevent long-line effects. Under no circumstances should the magnetron be operated with a V.S.W.R. of the load exceeding 1.5. A ratio kept near unity will benefit tube life and reliability.
- c) The modulator must be so designed that, if arcing occurs, the energy per pulse delivered to the magnetron does not considerably exceed the normal energy per pulse. Modulators of the pulse-forming-network discharge type usually satisfy this requirement.
- d) It is required to bypass the magnetron heater with a 1000 V rated capacitor of minimum 4 nF directly across the heater terminals.
- e) Any diode current flowing during the intervals between the pulses should be taken into account when the peak anode current is calculated from the measured average anode current. The occurrence of this diode current can be avoided by preventing that during these intervals the anode voltage becomes positive with respect to the cathode.
- f) The unwanted noise that may occur when the anode pulse voltage drops below the value required for oscillation can be minimized by making the trailing edge of the voltage pulse as steep as possible.

PULSE CHARACTERISTICS AND DEFINITIONS

The smooth peak value (V_{ap} or I_{ap}) of a pulse is the maximum value of a smooth curve through the average of the fluctuation over the top portion of the pulse as shown in the figure below.

The rate of rise of anode voltage is defined by the steepest tangent to the leading edge of the voltage pulse above 80 % of the smooth peak value (fig.1). Any capacitance used in a removable viewing system shall not exceed 6 pF. For calculation of the rate of rise of anode voltage the 100 % value must be taken as 12.5 kV.

The pulse duration (T_{imp}) is the time interval between the two points on the current pulse at which the current is 50 % of the smooth peak current (fig.2).



The current pulse must be substantially square and the ripple over the top portion of the current pulse must be kept as small as possible to avoid unwanted frequency modulation due to pushing effects. The spike on the top portion of the pulse must be small to avoid excessive peak pulse current. The leading edge of the pulse must be free from irregularities.

STORAGE, HANDLING AND MOUNTING

The original packing should be used for the transport of the magnetron.

The magnetron should never be held by the heater cathode stem.

Rough treatment of the metal envelope and of the cooling fins may impair the electrical characteristics or may result in loss of vacuum.

When storing, the packaged magnetrons should be kept not less than 15 cm (6 inches) apart, to prevent a decrease of field strength of the magnetron magnet as a result of interaction with the adjacent magnets. If the magnetrons are stored in their original inner container, no special precautions need be taken with regard to the distance apart. If the magnetrons are stored without their inner container, they should be stored in non-magnetic surroundings e.g. on wooden shelves.

STORAGE, HANDLING AND MOUNTING (continued)

When handling and mounting the magnetron, a minimum distance of 5 cm (2 inches) between the magnet and any piece of magnetic material should be maintained to avoid mechanical shocks to the magnet or the glass of the heater-cathode stem. For this reason it is required to use non-magnetic tools during installation, such as non-magnetic stainless steel, brass, beryllium copper and aluminium. Furthermore, the user should be aware of the detrimental influence of the strong magnetic field around the magnet on watches and other precision instruments nearby.

Mounting of the magnetron should be accomplished by means of its mounting flange. The tube should in no case be supported by the coupling to the waveguide output flange alone.

A dust-cover is placed on the output flange, to keep its opening closed until the tube is mounted into the equipment. Before putting the magnetron into operation, the user should make sure that the output waveguide and the recessed cathode terminal are entirely clean and free from dust and moisture.

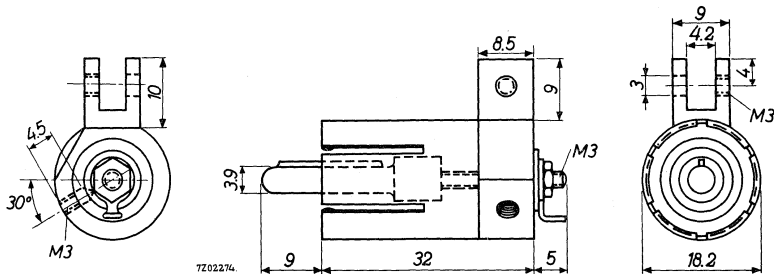
MECHANICAL DATA

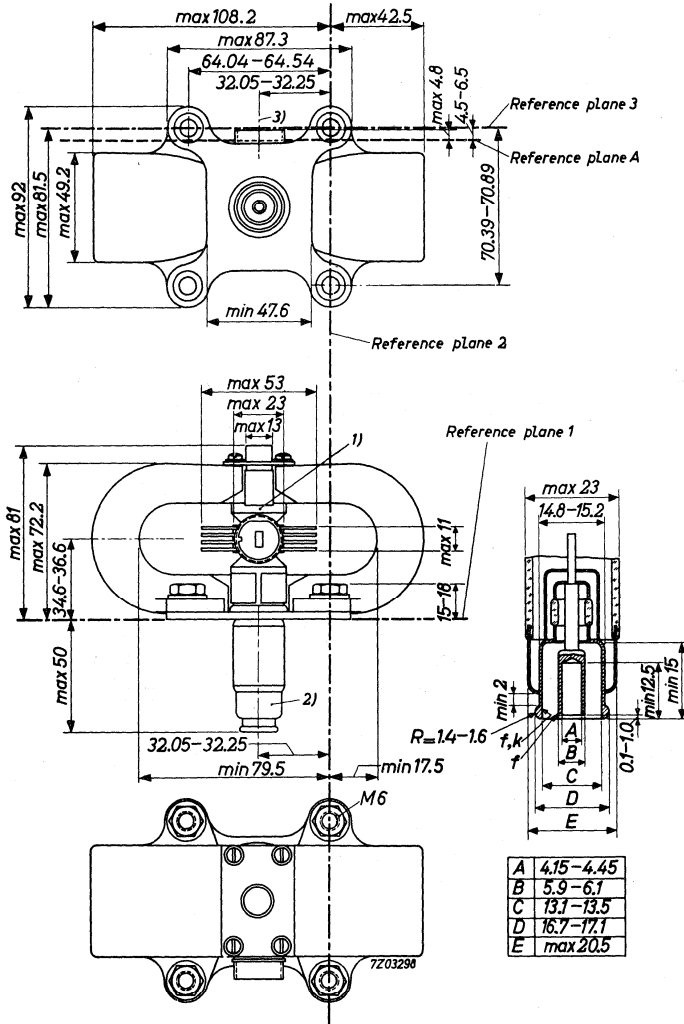
- Mounting position : any
- Net weight : 1.9 kg
- Waveguide output system : RG-96/U
- Waveguide coupling system: Z8300 16

To facilitate this coupling the components Z8300 17 and Z8300 19 have been fixed permanently to the magnetron

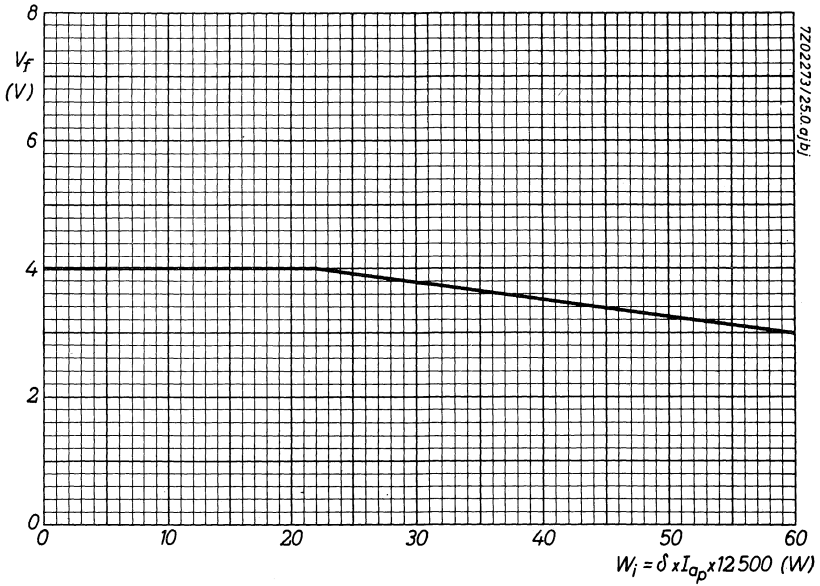
Cathode connector : 55356

The mounting flange and the waveguide output system are so made that the magnetron can be used in applications requiring a pressure seal. They can be maintained at a pressure of maximum 3.1 kg/cm^2 (45 lbs/sq. in).





- 1) Inscription of serial number.
- 2) The axis of the common cathode-heater terminal is within a radius 1.5 mm from the specified position. The eccentricity of the axis of the inner cylinder of the heater terminal with respect to the axis of the inner cylinder of the common cathode-heater terminal is max. 0.125 mm.
- 3) Centre of waveguide.



PULSED MAGNETRON

Packaged rugged magnetron with low frequency temperature coefficient, suitable for high altitude operation.

QUICK REFERENCE DATA		
Frequency tunable within the band	f	5.4 to 5.9 GHz
Peak output power	W_{op}	160 W
Construction		packaged

HEATING : Indirect by A.C. or D.C.

Heater voltage	V _f	5.0 V
Heater current	I _f	0.5 A
Heating time before application of high voltage (waiting time) at t_{amb} above 0 °C	T _w	min. 30 s

COOLING

In normal circumstances radiation and convection cooling is adequate but where the ambient temperature is abnormally high, or where convection cooling is restricted, provision for conduction cooling may be made by a clamp, of non magnetic material, around the body.

TYPICAL CHARACTERISTICS

Frequency, tunable over the range	f	5.4 to 5.9 GHz
Peak anode voltage at $I_{ap} = 0.8$ A	V _{ap}	1.0 to 1.35 kV
Pulling figure (V.S.W.R. = 1.5)	Δf_p	max. 12 MHz
Frequency temperature coefficient	$\Delta f/\Delta t$	max. 0.1 MHz/°C
Input capacitance	C _{ak}	max. 6.0 pF
Pushing figure	$\Delta f/\Delta I_{ap}$	max. 15 MHz/A
Frequency modulation under vibration of 12 g (50 to 2000 Hz)		max. 2 MHz

LIMITING VALUES (Absolute max. rating system)

Pulse duration	T_{imp}	max.	3.0 μs
Duty factor	δ	max.	0.002
Peak anode current	I_{ap}	max.	1.0 A
		min.	0.6 A
Mean input power	W_{ia}	max.	2.5 W
Rate of rise of voltage pulse	dVa/dT	max.	8 kV/ μs
Voltage standing wave ratio	V.S.W.R.	max.	1.5
Temperature of anode block	t_a	max.	100 $^{\circ}C$

OPERATING CHARACTERISTICS

Pulse duration	T_{imp}	1.0 μs
Pulse repetition frequency	f_{imp}	2000 Hz
Duty factor	δ	0.002
Heater voltage running	V_f	5.0 V
Anode current, peak	I_{ap}	0.8 A
mean	I_a	1.6 mA
Peak anode voltage	V_{ap}	1.2 kV
Rate of rise of voltage pulse	dVa/dT	6 kV/ μs
Input power, peak	W_{iap}	944 W
mean	W_{ia}	1.9 W
Output power, peak	W_{op}	160 W
mean	W_o	320 mW
Pulling figure (V.S.W.R. = 1.5)	Δf_p	10 MHz

MECHANICAL DATA

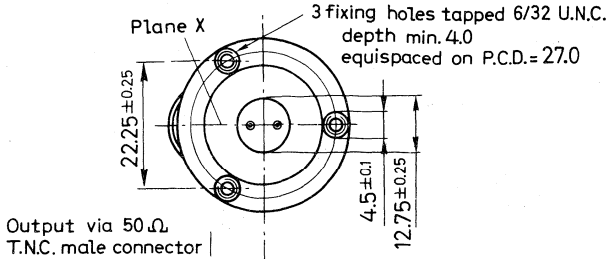
Mounting position : any

Net weight : approx 0.2 kg

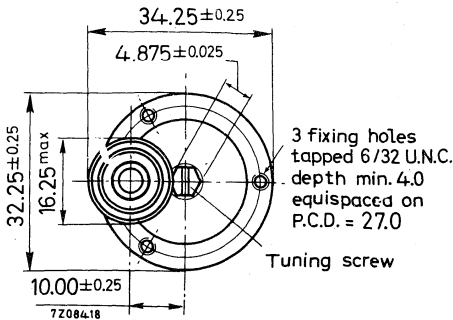
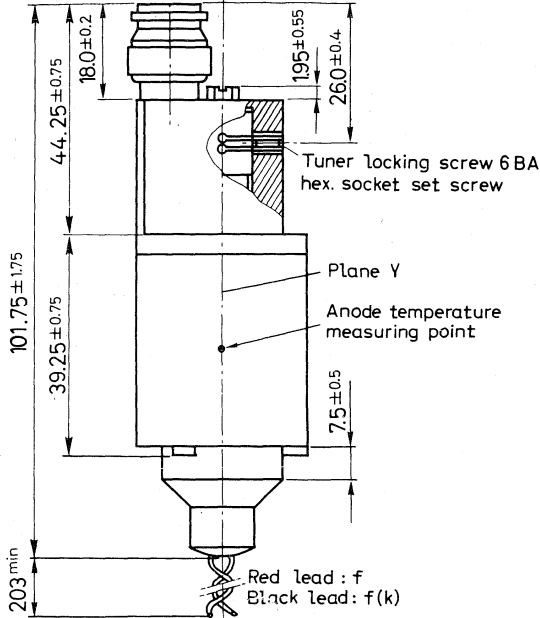
Output connection : Output via 50 Ω T.N.C. male connector

MECHANICAL DATA

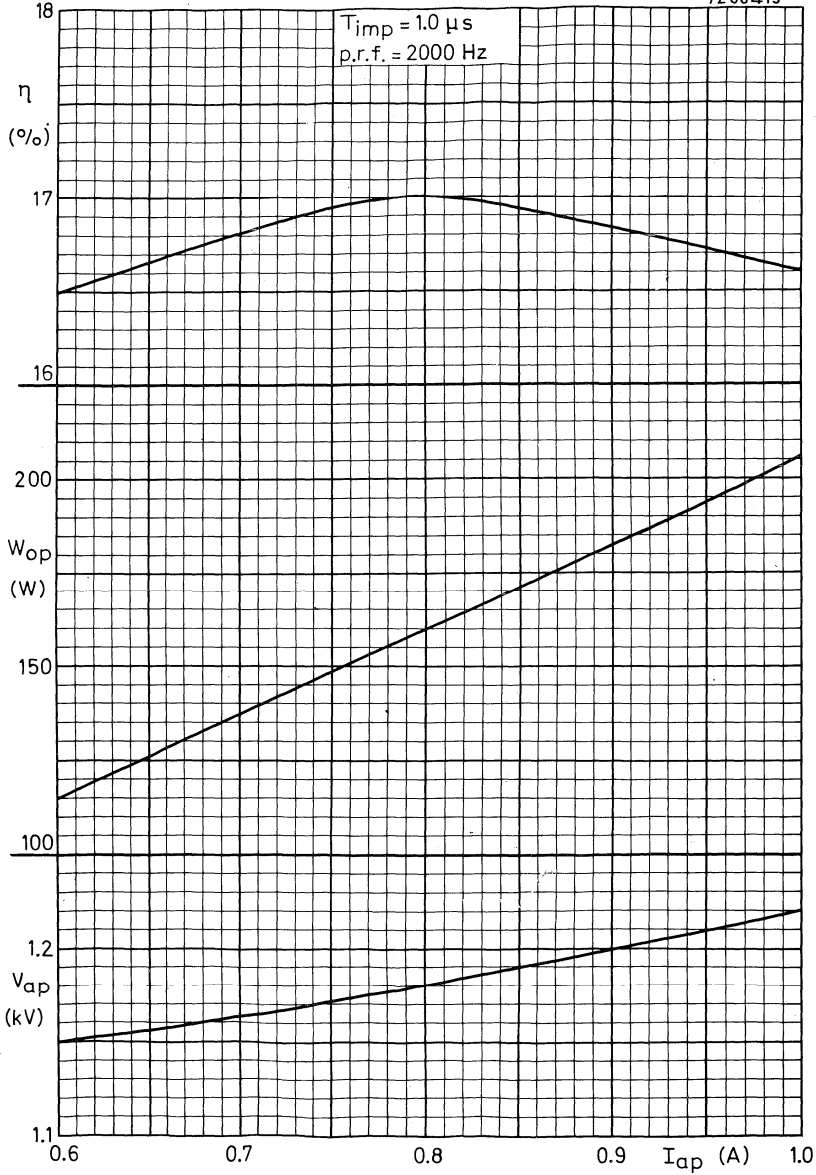
Dimensions in mm



Output via 50 Ω T.N.C. male connector



7208420



PULSED MAGNETRON

Light weight packaged magnetron for pulse service at high altitudes operating at a fixed frequency within the range 9.345 to 9.405 GHz and capable of delivering a peak output power of 20 kW.

QUICK REFERENCE DATA			
Frequency, fixed within the band	f	9.345 to 9.405	GHz
Peak output power	W_{op}	20	kW
Construction		packaged	

HEATING: indirect by A.C. or D.C.

Heater voltage, starting V_{fo} 6.3 V $\pm 5\%$

Heater current at $V_f = 6.3$ V I_f 0.55 A

Heating time before application
of high voltage,

at ambient temperatures above 0 °C T_w min. 2 min

at ambient temperatures below 0 °C T_w min. 3 min

For mean input powers > 25 W, the heater voltage must be reduced immediately after the application of the anode voltage in accordance with the chart given on page 6.

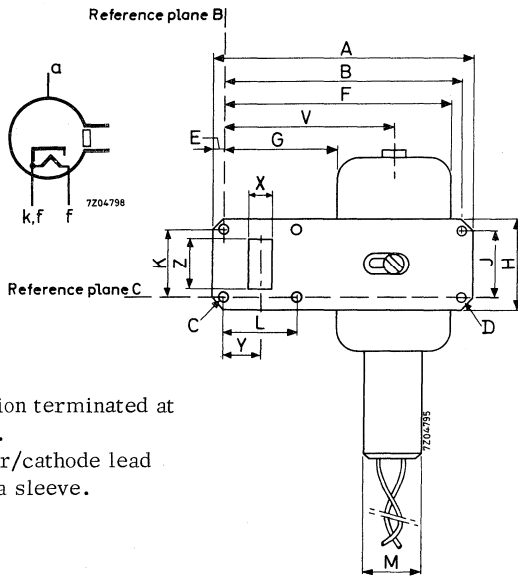
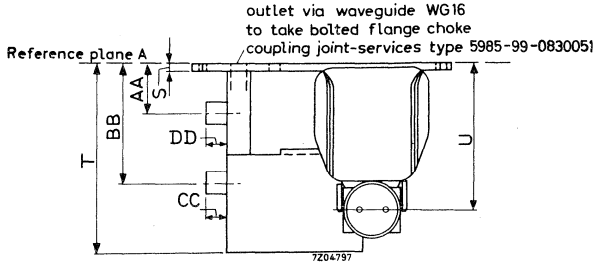
MECHANICAL DATA

Mounting position: any

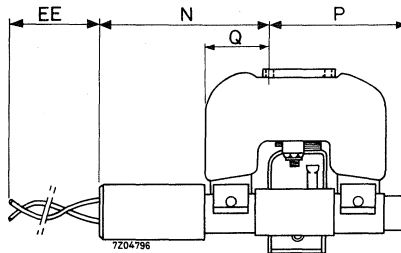
Net weight: 1.5 kg

The YJ1060 is electrically and mechanically interchangeable with type 6027H.

MECHANICAL DATA (continued)



Anode connection terminated at the base plate.
Common heater/cathode lead indentified by a sleeve.



OUTLINE DIMENSIONS

Inch dimensions are derived from the original millimetre dimensions.

Dim.	Inches	mm
A	4.47 max.	113.5 max.
B	4.103 ± 0.004	104.2 ± 0.1
C	0.17 ± 0.003	4.32 ± 0.08
D	0.175 ± 0.003	4.45 ± 0.08
E	0.19 max.	4.8 max.
F	4.0 max.	102 max.
G	1.93 min.	49 min.
H	1.64 max.	41.7 max.
J	1.22 ± 0.003	30.99 ± 0.08
K	1.22 ± 0.004	30.99 ± 0.1
L	1.28 ± 0.004	32.51 ± 0.1
M	1.0 max.	25.4 max.
N	3.19 max.	81 max.
P	2.19 max.	55.6 max.
Q	1.19 max.	30.2 max.
S	0.125 ± 0.01	3.18 ± 0.25
T	3.25 max.	82.6 max.
U	2.52 ± 0.118	64 ± 3
V	3.0 ± 0.118	76 ± 3
X	0.400 ± 0.003	10.16 ± 0.08
Y	0.640 ± 0.004	16.25 ± 0.10
Z	0.900 ± 0.004	22.86 ± 0.10
AA	0.88 ± 0.118	22 ± 3
BB	1.8 ± 0.197	53 ± 5
CC	0.39 max.	10 max.
DD	0.38 max.	9.5 max.
EE	6.0	152

TYPICAL CHARACTERISTICS

Frequency, fixed within the band	f	9.345 to 9.405 GHz
Peak anode voltage at $I_{ap} = 7.5$ A	V_{ap}	6.4 to 7.4 kV
Peak output power at $I_{ap} = 7.5$ A	W_{op}	min. 18 kW
Pulling figure (V.S.W.R. = 1.5)	Δf_p	max. 15 MHz
Frequency temperature coefficient	$\Delta f / \Delta t$	max. -0.25 MHz per °C
Capacitance anode to cathode	C_{ak}	max. 8 pF

LIMITING VALUES (Absolute max. rating system)

Pulse duration	T_{imp}	max.	2.5 μs
Duty factor	δ	max.	0.002
Peak anode current	I_{ap}	min.	5 A
		max.	8 A
Anode input power, mean	W_{ia}	max.	80 W
Rate of rise of anode voltage	dV_a/dT	max.	60 kV/ μs
Voltage standing wave ratio	V.S.W.R.	max.	1.5
Anode block temperature	t_a	max.	120 $^{\circ}C$

OPERATING CHARACTERISTICS

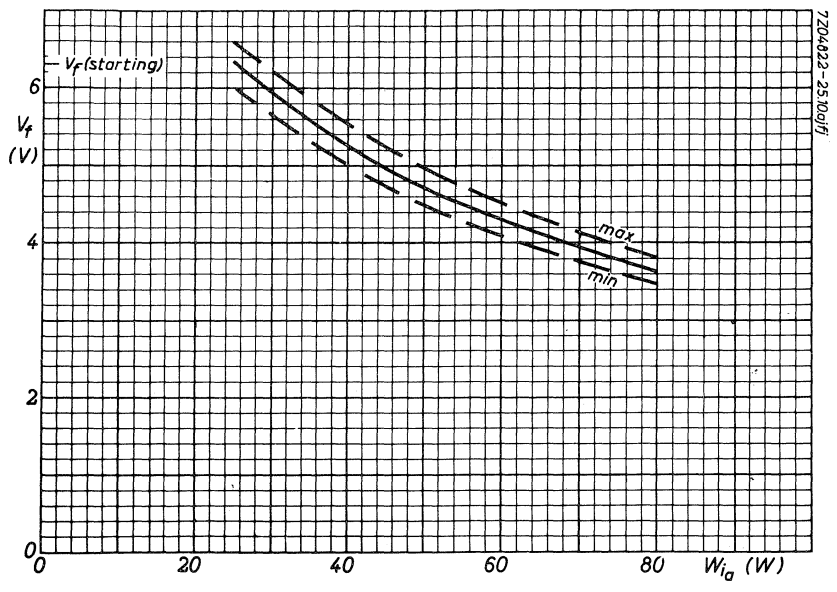
Pulse duration	T_{imp}	1.8	2.5 μs
Pulse repetition frequency	f_{imp}	400	400 Hz
Duty factor	δ	0.0007	0.001
Heater voltage, running	V_f	5.4	4.6 V
Peak anode voltage	V_{ap}	7.2	7.2 kV
Rate of rise of voltage pulse	dV_a/dT	50	50 kV/ μs
Anode current, peak	I_{ap}	7.5	7.5 A
mean	I_a	5.3	7.5 mA
Input power, peak	W_{iap}	54	54 kW
mean	W_{ia}	38	54 W
Output power, peak	W_{op}	20	20 kW
mean	W_o	14	20 W
Pulling figure (V.S.W.R. = 1.5)	Δfp	14	14 MHz

COOLING

In normal circumstances radiation and convection cooling is adequate, but where the ambient temperature is abnormally high, or convection cooling is restricted artificial cooling may be necessary to keep the block temperature below the permitted maximum.

PRESSURE

The tube is fitted with flying leads and the output waveguide is sealed with a vacuum tight window to allow operation at high altitude without pressurising. Operation to 18 km can be achieved.



72042-25.00/f

PULSED MAGNETRON

Packaged magnetron for pulsed service at a fixed frequency.

QUICK REFERENCE DATA			
Frequency, fixed within the band	f	9.380 to 9.440	GHz
Peak output power	W_{op}	10.5	kW
Construction		packaged	

HEATING: Indirect by A. C. or D. C.

Heater voltage	V_f	6.3	$V \pm 5\%$
Heater current at $V_f = 6.3$ V	I_f	0.55	A
Heater surge peak current	$I_{f_{surge p}}$	max. 4	A
Cold heater resistance	R_{f_0}	1.75	Ω
Heating time before application of high voltage (waiting time)			
at t_{amb} above 0°C	T_w	min. 2	min
at t_{amb} below 0°C	T_w	min. 3	min

For mean input powers greater than 25 W the heater voltage must be reduced immediately after application of high voltage. See page 5

COOLING

In normal circumstances radiation and convection cooling is adequate, but where the ambient temperature is abnormally high a flow of cooling air between the cooling fins may be necessary to keep the anode block temperature below the permitted maximum.

LIMITING VALUES (Absolute maximum rating system)

Pulse duration	T_{imp}	max.	0.1 μs
Duty factor	δ	max.	1.0
Peak anode current	I_{ap}	min.	4.5 A
		max.	7 A
Mean input power	W_{ia}	max.	85 W
Rate of rise of voltage pulse	dV_a/dT	max.	120 kV/ μs
Voltage standing wave ratio	V.S.W.R.	max.	1.5
Temperature of anode block	t_a	max.	120 $^{\circ}C$

TYPICAL CHARACTERISTICS

Frequency, fixed within the band	f	9.380 to 9.440	GHz
Peak anode voltage at $I_{ap} = 6$ A	V_{ap}	5.5 to 5.9	kV
Peak output power at $I_{ap} = 6$ A	W_{op}	min. 9	kW
Pulling figure (V.S.W.R. = 1.5)	Δf_p	max. 15	MHz
Frequency temperature coefficient	$\frac{\Delta f}{\Delta t}$	max. -0.25	MHz/ $^{\circ}C$
Distance of voltage standing wave minimum from face of mounting plate into tube	d	16.5 to 22.5	mm
Input capacitance	C_{ak}	max. 8	pF
Frequency pushing	$\frac{\Delta f}{\Delta I_{ap}}$	max. 2.0	MHz/A

OPERATING CHARACTERISTICS

Pulse duration	T_{imp}	0.1	0.5 μs
Pulse repetition frequency	f_{imp}	1000	1000 Hz
Duty factor	δ	0.0001	0.0005
Heater voltage (running)	V_f	6.3	6.3 V
Anode current, peak	I_{ap}	6	6 A
mean	I_a	0.65 ¹⁾	3 mA
Peak anode voltage	V_{ap}	5.7	5.7 kV
Rate of rise of voltage pulse	dV_a/dT	110	100 kV/ μs
Input power, peak	W_{iap}	34.2	34.2 kW
mean	W_{ia}	3.7	17.1 W
Output power, peak	W_{op}	10.5	10.5 kW
mean	W_o	1.1	5.5 W
Pulling figure (V.S.W.R. = 1.5)	Δf_p	14	14 MHz

END OF LIFE PERFORMANCE

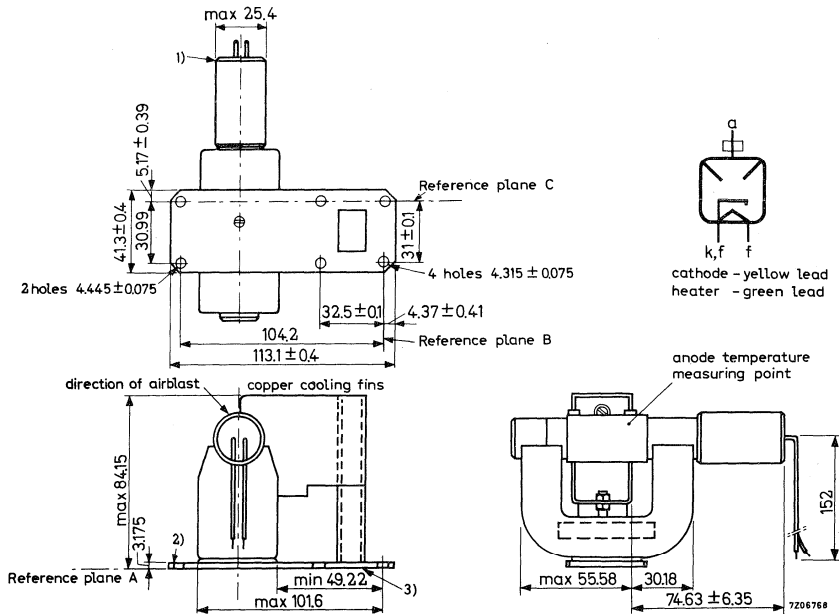
The tube is deemed to have reached end of life when it fails to satisfy the following:

Peak output power at $I_{ap} = 6$ A	W_{op}	> 7 kW
Frequency within the band	f	9.380 to 9.440 GHz
Peak anode voltage at $I_{ap} = 6$ A	V_{ap}	5.5 to 6.0 kV

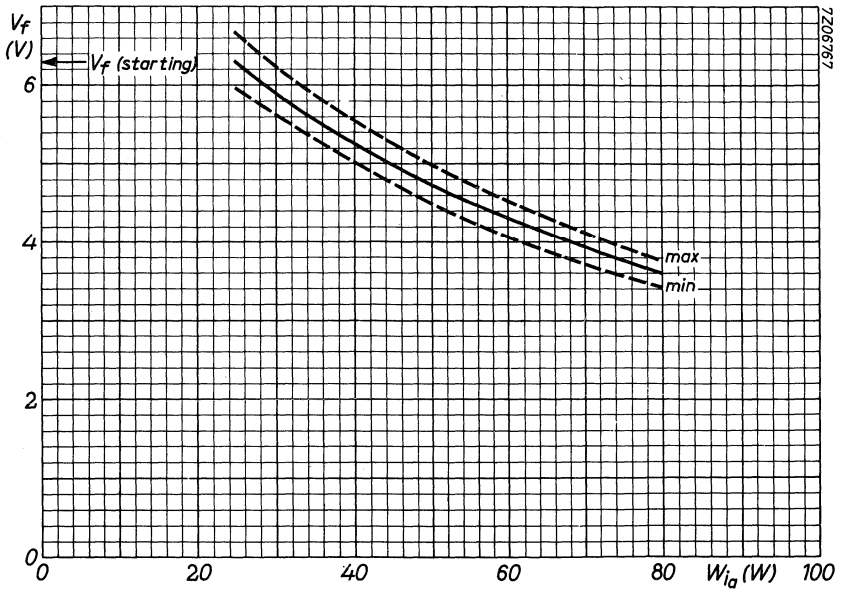
¹⁾ Includes pre-oscillation current.

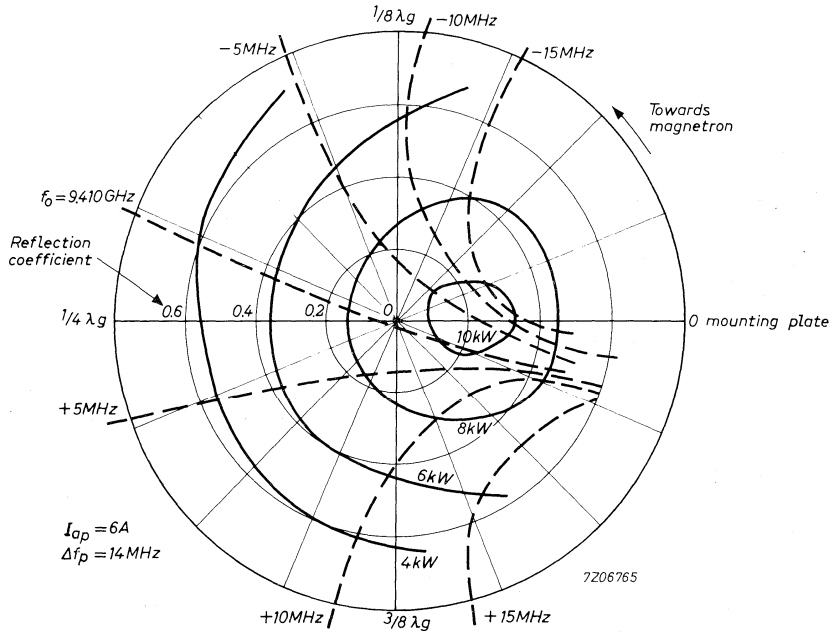
MECHANICAL DATA

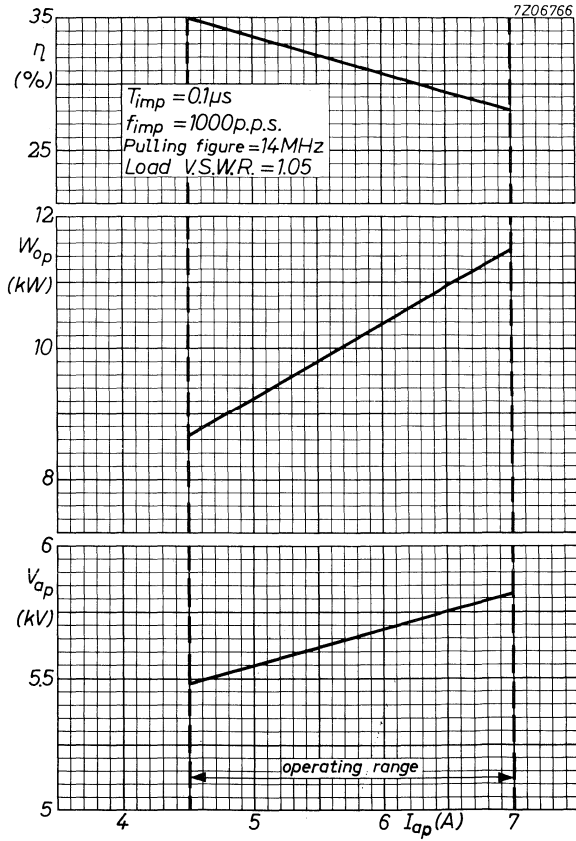
Dimensions in mm



- 1) The protector sleeve shall be within 5° of a normal to reference plane C.
- 2) A cylinder 8.38 mm diameter centred in the holes shown shall clear the side of the magnet.
- 3) The outlet via the waveguide WG16 is to take a bolted flange choke coupling, Joint Services type 5985-99-0830051.







PULSED MAGNETRON

Packaged magnetron for pulsed service at a fixed frequency.

QUICK REFERENCE DATA			
Frequency, fixed within the band	YJ1110	f	9.345 to 9.405 GHz
	YJ1111	f	9.415 to 9.475 GHz
Peak output power		W_{op}	20 kW
Construction			packaged

HEATING: Indirect by A.C. or D.C.

Heater voltage, starting	V_f	6.3	$V_{\pm 5\%}$
Heater current at $V_f = 6.3$ V	I_f	0.55	A
Heater surge peak current	$I_{f\text{surgep}}$	max.	5 A
Cold heater resistance	R_{fo}	1.75	Ω
Heating time before application of high voltage (waiting time)			
at t_{amb} above 0 °C	T_w	min.	2 min
at t_{amb} below 0 °C	T_w	min.	3 min

For mean input powers greater than 25 W the heater voltage must be reduced immediately after the application of high voltage. See page 5

COOLING

In normal circumstances radiation and convection cooling is adequate, but where the ambient temperature is abnormally high, a flow of cooling air between the radiator fins may be necessary to keep the anode block temperature below the permitted maximum.

LIMITING VALUES (Absolute maximum rating system)

Pulse duration		T_{imp}	min.	0.05 μs
			max.	2.5 μs
Duty factor		δ	max.	0.0015
Peak anode current	$T_{imp} \leq 1 \mu s$	I_{ap}	min.	6 A
			max.	9 A
	$T_{imp} > 1 \mu s$	I_{ap}	min.	6 A
			max.	7.5 A
Mean input power		W_{ia}	max.	85 W
Rate of rise of voltage pulse		dV_a/dT	max.	120 kV/ μs
Voltage standing wave ratio		V. S. W. R.	max.	1.5
Temperature of anode block		t_a	max.	120 $^{\circ}C$

TYPICAL CHARACTERISTICS

Frequency, fixed within the band	YJ1110	f	9.345 to 9.405	GHz
	YJ1111	f	9.415 to 9.475	GHz
Peak anode voltage at $I_{ap} = 7.5 A$		V_{ap}	7.0 to 8.2	kV
Peak output power at $I_{ap} = 7.5 A$		W_{op}	min.	17 kW
Pulling figure (V. S. W. R. = 1.5)		Δf_p	max.	18 MHz
Frequency temperature coefficient		$\frac{\Delta f}{\Delta t}$	max.	-0.25 MHz/ $^{\circ}C$
Distance of voltage standing wave minimum from face of mounting plate into tube		d	16.5 to 22.5	mm
Input capacitance		C_{ak}	max.	8.0 pF
Frequency pushing		$\frac{\Delta f}{\Delta I_{ap}}$	max.	1.5 MHz/A

OPERATING CHARACTERISTICS

Pulse duration	T_{imp}	0.5	0.1	0.05	μs
Pulse repetition frequency	f_{imp}	1000	1000	1000	Hz
Duty factor	δ	0.0005	0.0001	0.00005	
Heater voltage (running)	V_f	6.3	6.3	6.3	V
Anode current, peak	I_{ap}	7.5	7.5	7.5	A
mean	I_a	3.75	0.8	0.425	mA ¹⁾
Peak anode voltage	V_{ap}	7.8	7.8	7.8	kV
Rate of rise of voltage pulse	$\frac{dV_a}{dT}$	80	100	100	kV/ μs
Input power, peak	W_{ia_p}	58.5	58.5	58.5	kW
mean	W_{ia}	29	6.2	3.3	W
Output power, peak	W_{op}	20	20	20	kW
mean	W_o	10	2.0	1.0	W
Pulling figure (V.S.W.R. = 1.5)	Δf_p	16	16	16	MHz

END OF LIFE PERFORMANCE

The tube is deemed to have reached end of life when it fails to satisfy the following:

Peak output power at $I_{ap} = 7.5$ A		W_{op}	> 14	kW
Frequency within the band	YJ1110	f	9.345 to 9.405	GHz
	YJ1111	f	9.415 to 9.475	GHz
Peak anode voltage at $I_{ap} = 7.5$ A		V_{ap}	7.0 to 8.4	kV

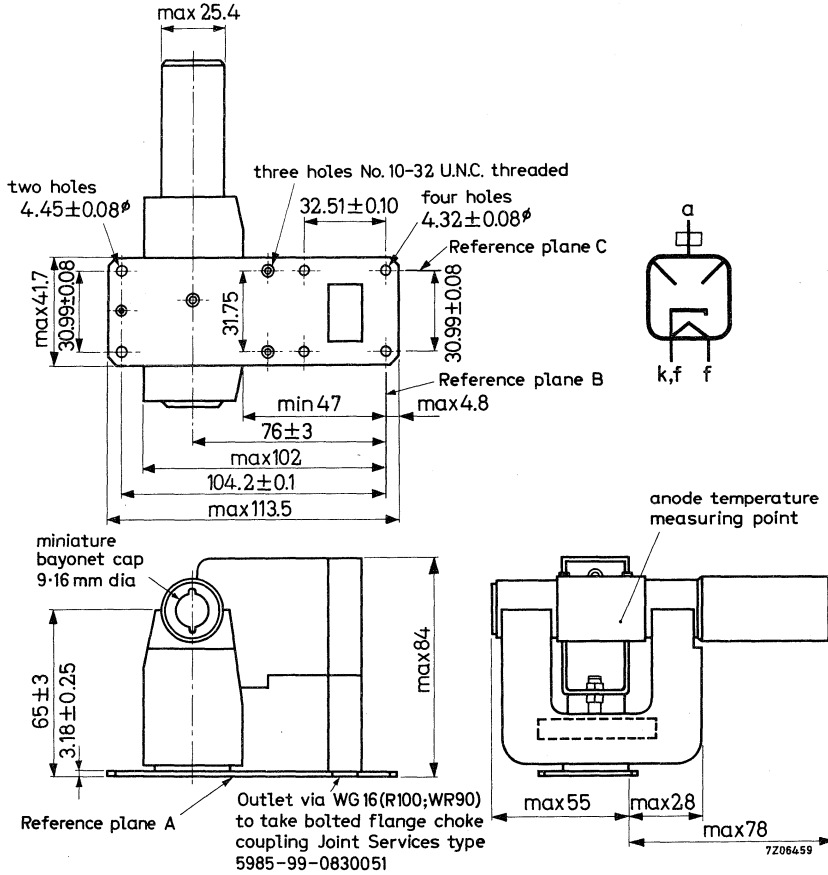
¹⁾ Includes pre-oscillation current.

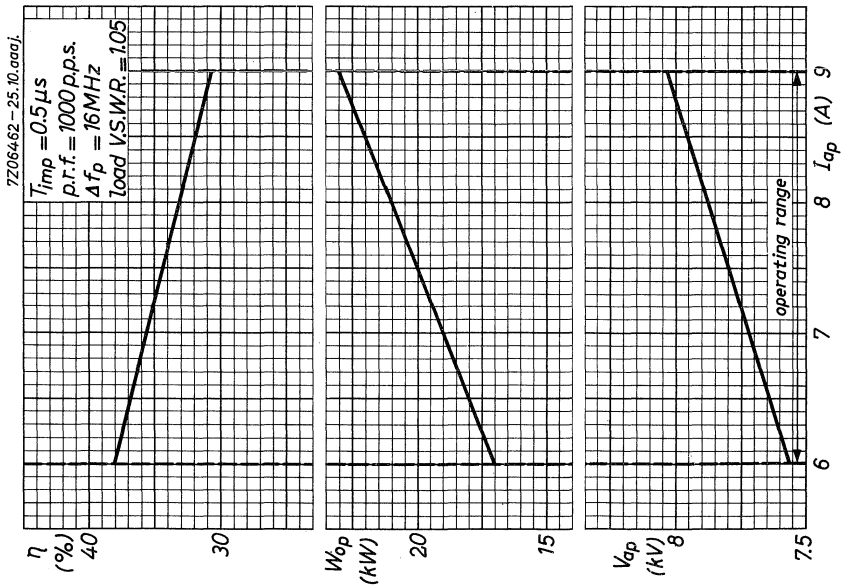
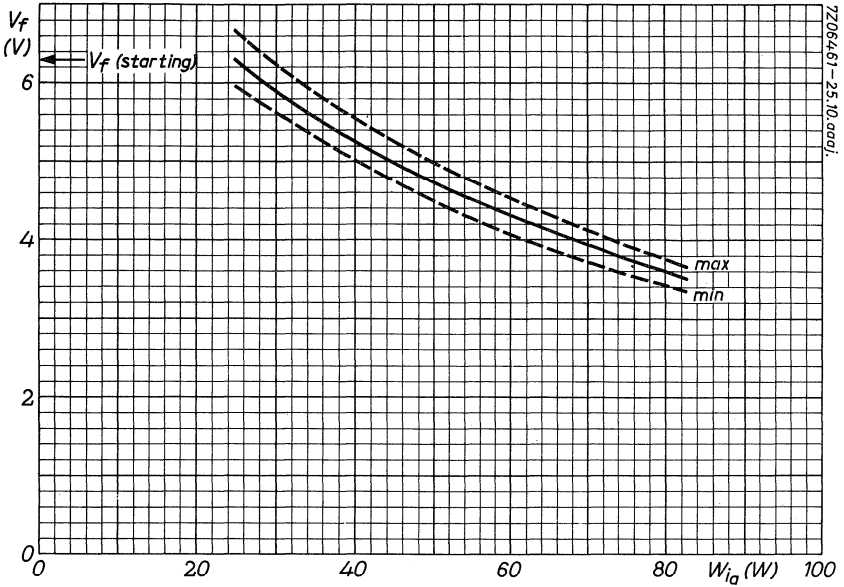
MECHANICAL DATA

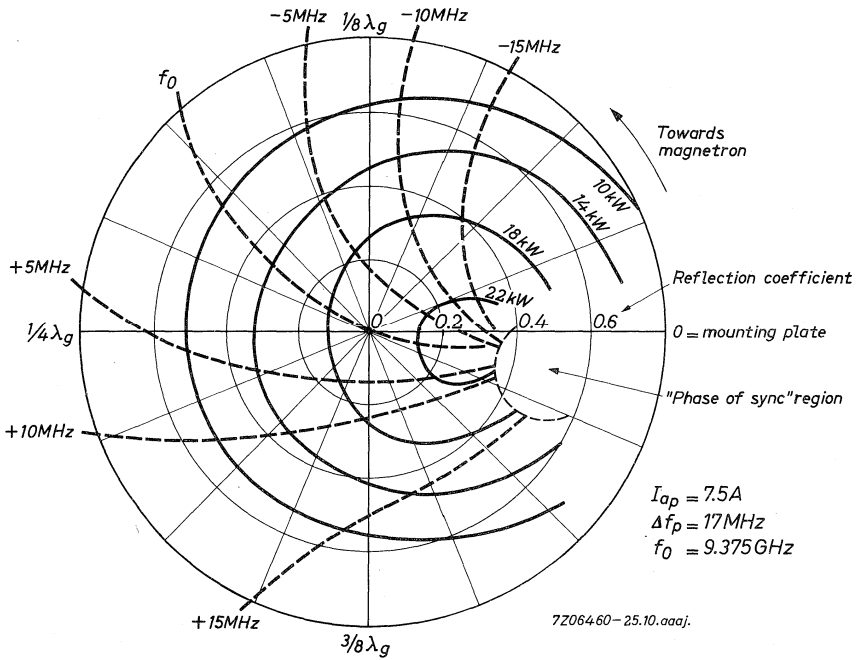
Dimensions in mm

Mounting position: any

Net weight: 1.5 kg







PULSED MAGNETRON

Packaged magnetron for pulsed service at a fixed frequency.

QUICK REFERENCE DATA			
Frequency, fixed within the band	f	9.380 to 9.440	GHz
Peak output power	W_{Op}	25	kW
Construction	packaged		

HEATING: Indirect by A.C. or D.C.

Heater voltage	V_f	6.3	V $\pm 5\%$
Heater current at $V_f = 6.3$ V	I_f	0.55	A
Heater surge peak current	$I_{f\ surge p}$	max. 5	A
Cold heater resistance	R_{f_0}	1.75	Ω
Heating time before application of high voltage (waiting time)			
at t_{amb} above 0 °C	T_w	min. 2	min
at t_{amb} below 0 °C	T_w	min. 3	min

COOLING

In normal circumstances radiation and convection cooling is adequate, but where the ambient temperature is abnormally high, a flow of cooling air between the radiator fins may be necessary to keep the anode block temperature below the permitted maximum.

LIMITING VALUES (Absolute maximum rating system)

Pulse duration	T_{imp}	max.	1.5 μs
Duty factor	δ	max.	0.0015
Peak anode current	I_{ap}	min.	6.0 A
		max.	9.5 A
Mean input power	W_{ia}	max.	85 W
Rate of rise of voltage pulse	dV_a/dT	max.	120 kV/ μs
Voltage standing wave ratio	V.S.W.R.	max.	1.5
Temperature of anode block	t_a	max.	120 $^{\circ}C$

TYPICAL CHARACTERISTICS

Frequency, fixed within the band	f	9.380 to 9.440	GHz
Peak anode voltage at $I_{ap} = 8$ A	V_{ap}	7.5 to 8.5	kV
Peak output power at $I_{ap} = 8$ A	W_{op}	min.	20 kW
Pulling figure (V.S.W.R. = 1.5)	Δf_p	max.	18 MHz
Frequency temperature coefficient	$\frac{\Delta f}{\Delta t}$	max.	-0.25 MHz/ $^{\circ}C$
Distance of voltage standing wave minimum from face of mounting plate into tube	d	16.5 to 22.5	mm
Input capacitance	C_{ak}	max.	8.0 pF
Frequency pushing	$\frac{\Delta f}{\Delta I_{ap}}$	max.	1.5 MHz/A

OPERATING CHARACTERISTICS

Pulse duration	T_{imp}	0.05	0.15	0.5	1.2 μs
Pulse repetition frequency	f_{imp}	2000	1000	1000	500 Hz
Duty factor	δ	0.0001	0.00015	0.0005	0.0006
Heater voltage (running)	V_f	6.3	6.3	6.3	6.3 V
Anode current, peak	I_{ap}	8.0	8.0	8.0	8.0 A
mean	I_a	0.85 ¹⁾	1.25 ¹⁾	4.0	4.8 mA
Peak anode voltage	V_{ap}	8.2	8.2	8.2	8.2 kV
Rate of rise of voltage pulse	dV_a/dT	120	120	100	100 kV/ μs
Input power, peak	W_{iap}	66	66	66	66 kW
mean	W_{ia}	7.0	10.2	33	39.5 W
Output power, peak	W_{op}	25	25	25	25 kW
mean	W_o	2.5	3.75	12.5	15 W
Pulling figure (V.S.W.R. = 1.5)	Δf_p	16	16	16	16 MHz

END OF LIFE PERFORMANCE

The tube is deemed to have reached end of life when it fails to satisfy the following:

Peak output power at $I_{ap} = 8$ A	W_{op}	>	16 kW
Frequency within the band	f	=	9.380 to 9.440 GHz
Peak anode voltage at $I_{ap} = 8$ A	V_{ap}	=	7.5 to 8.7 kV

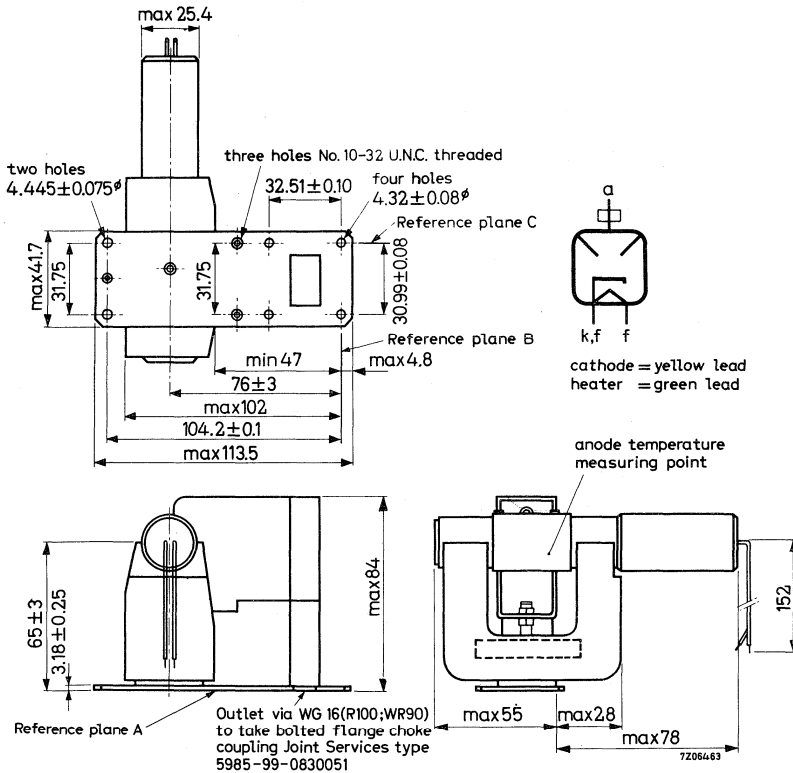
¹⁾ Includes pre-oscillation current.

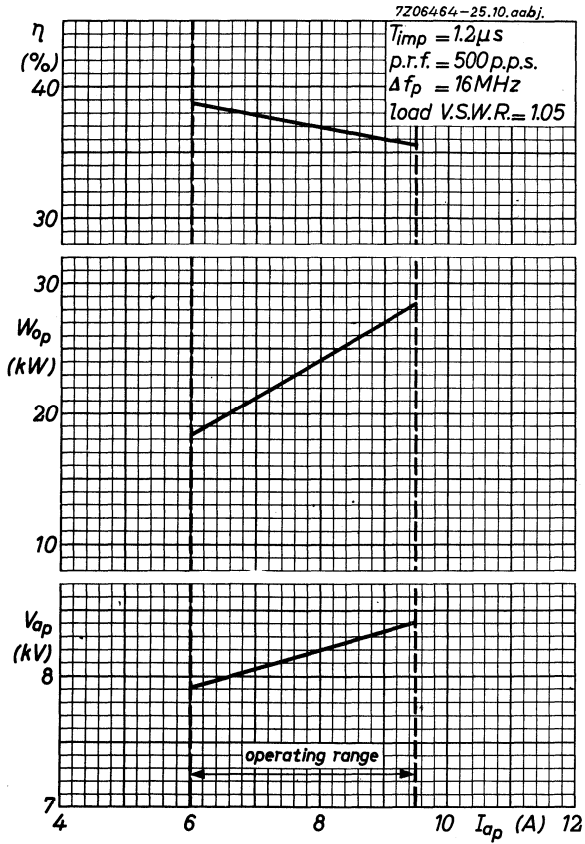
MECHANICAL DATA

Dimensions in mm

Mounting position: any

Net weight: 1.5 kg





PULSED MAGNETRON

Packaged magnetron for pulsed service at a fixed frequency.

QUICK REFERENCE DATA			
Frequency, fixed within the band	f	9.415 to 9.475	GHz
Peak output power	W_{op}	26	kW
Construction		packaged	

HEATING : indirect

Heater voltage	V_f	6.3	V ¹⁾
Heater current	I_f	0.55	A
Peak heater starting current	I_{fp}	max.	5 A
Waiting time at t_{amb} above 0 °C	T_w	min.	2 min.
Waiting time at t_{amb} between 0 °C and -55 °C	T_w	min.	3 min.

For mean values of input power greater than 45 W the heater voltage should be reduced.

LIMITING VALUES (Absolute max. rating system)

Pulse duration	T_{imp}	max.	2	μs
Duty factor	δ	max.	0.0015	
Peak anode current	I_{ap}	min.	6	A
		max.	10	A
Mean input power	W_{ia}	max.	85	W
Peak input power	W_{iap}	max.	75	kW
		min.	7.5	kV
Peak anode voltage	V_{ap}	max.	8.5	kV
Rate of rise of anode voltage	dV_a/dT	max.	120	$kV/\mu s$ ²⁾
Voltage standing wave ratio	V. S. W. R.	max.	1.5	
Anode temperature	t_a	max.	120	°C
Heater voltage	V_f	min.	5.7	V
		max.	6.9	V ¹⁾

COOLING

Natural or forced-air as necessary to ensure that the temperature of the anode does not exceed the limiting value.

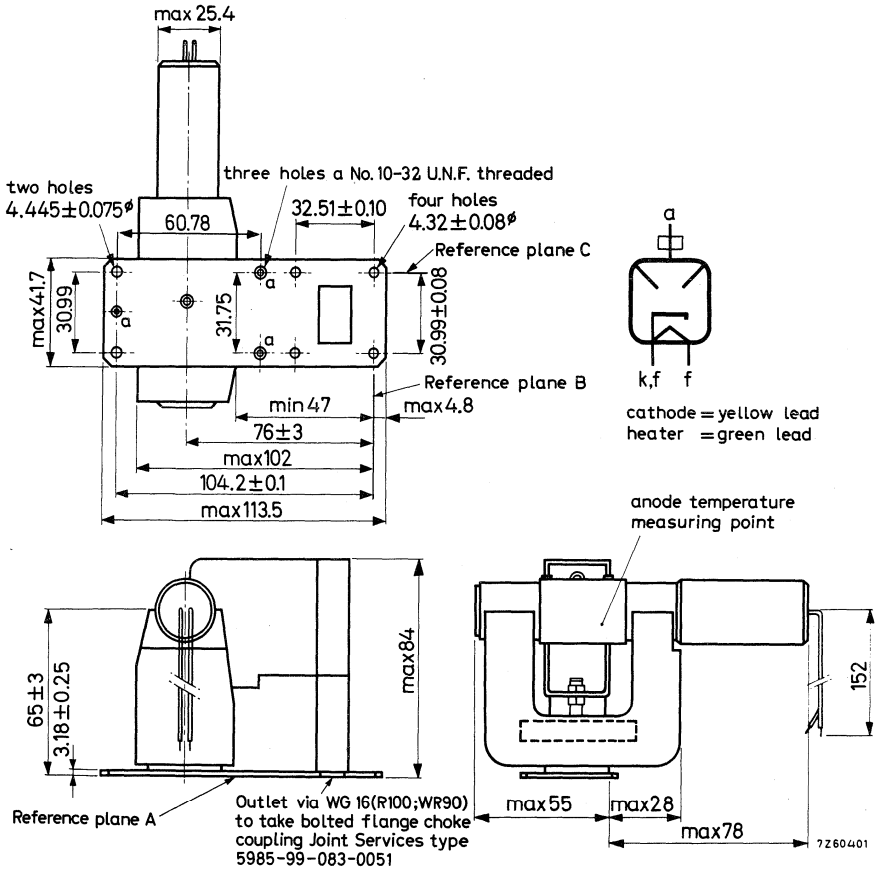
- 1) The magnetron is normally tested with a heater supply of 50 Hz and is suitable for operation at 800 Hz. The manufacturer should be consulted if the magnetron is to be operated with a heater supply of any other frequency.
- 2) Defined as the steepest tangent to the leading edge of the voltage pulse above 80% amplitude.

MECHANICAL DATA

Dimensions in mm

Net weight: 1.4 kg

Mounting position: any ⁷⁾



⁷⁾ see page 4

TEST CONDITIONS AND LIMITSTest conditions

Heater voltage	V_f	6.3	V	1)
Mean anode current	I_a	4.5	mA	
Duty factor	δ	0.0005		
Pulse duration	T_{imp}	0.5	μs	3)
Voltage standing wave ratio	V. S. W. R.	max. 1.05		
Rate of rise of anode voltage	dV_a/dT	120	kV/ μs	2)

Limits and characteristics

		min.	max.	
Peak anode voltage	V_{ap}	7.5	8.5	kV
Mean output power	W_o	11		W
Frequency	f	9.415	9.475	GHz
R. F. bandwidth at $\frac{1}{4}$ power	B		$\frac{2.5}{T_{imp}}$	MHz 3)
Pulling figure at V. S. W. R. = 1.5	Δf_p		18	MHz
Stability			0.25	% 4)
Minor lobe level at V. S. W. R. = 1.5		6		dB
Cold impedance		see note 5)		
Frequency temperature coefficient after warming	$\Delta f/\Delta t_a$		-0.25	MHz/degC 6)
Input capacitance	C_{ak}		9	pF 6)
Heater current at $V_f = 6.3$ V	I_f	0.43	0.60	A

OPERATING CHARACTERISTICS

Heater voltage	V_f	6.3	6.3	V
Pulse duration	T_{imp}	0.05	0.75	μs
Pulse repetition rate	f_{imp}	2400	800	p. p. s.
Peak anode current	I_{ap}	9	9	A
Rate of rise of anode voltage	dV_a/dT	110	110	kV/ μs
Peak anode voltage	V_{ap}	8.3	8.3	kV
Mean output power	W_o	3.12	15.6	W
Peak output power	W_{op}	26	26	kW

1) 2) See page 1

3), 4), 5), 6), 7) See page 4

END OF LIFE PERFORMANCE

The quality of all production is monitored by the random selection of magnetrons which are then life tested under the stated test conditions. If the magnetron is to be operated under different conditions from those specified above, the manufacturer should be consulted to verify that the life will not be affected. The magnetron is considered to have reached the end of life when it fails to meet the following limits when operated under the conditions specified under "Test conditions and limits."

Mean output power	W_o	min.	9	W
Peak anode voltage	V_{ap}		7.5 to 8.5	kV
Frequency, fixed within the band	f		9.415 to 9.475	GHz

VIBRATION

The magnetron is vibration tested to ensure that it will withstand normal conditions of service.

- 3) The tolerance of current pulse duration, T_{imp} , measured at 50% amplitude is $\pm 10\%$.
- 4) With the magnetron operating into a V.S.W.R. of 1.5 varied through all phases over an peak anode current range of 6 to 10 A. Pulses are defined as missing when the R.F. energy level is less than 70% of the normal level in the frequency range 9.415 to 9.475 GHz.
Missing pulses are expressed as a percentage of the number of input pulses applied during the period of observation after a period of 10 minutes operation.
- 5) The cold impedance is measured at the operating frequency and will give a V.S.W.R. of > 6 . The position of the voltage minimum from the face of the output flange into the magnetron is 16.5 mm to 22.5 mm.
- 6) Design test only.
- 7) It is necessary to keep all magnetic material as far as possible, at least 50 mm, from the magnet. The inner polysterene pack of the magnetron carton provides adequate separation between magnetrons, and it is recommended that magnetrons not in use be kept in these cartons.

PULSED MAGNETRON

Air-cooled packaged magnetron intended for service as a pulsed oscillator at a fixed frequency. The YJ1140 incorporates a dispenser type of cathode to provide a long life. A getter to maintain a high vacuum minimizes any tendency towards arcing, even when the magnetron is taken into operation after a period of storage.

The waveguide output is designed for coupling to rectangular waveguide RG-91/U (British designation WG18) with outside dimensions 0.702" x 0.391".

QUICK REFERENCE DATA			
Frequency, fixed within the band	f	16.350 to 16.650	GHz
Peak output power	W_{op}	45	kW
Construction		packaged	

CATHODE: Dispenser type

HEATING : Indirect by A.C. or D.C.

Heater starting voltage	V_f	12.6	V	$+10\%$ -5%
Heater current at $V_f = 12.6$ V	I_f	3.2 ± 0.5	A	
Heater surge peak current	$I_{fsurgep}$	max.	8	A
Cold heater resistance	R_{f0}	min.	0.45	Ω
Heating time before application of high voltage (waiting time)	T_w	min	3	min

COOLING

Air cooling

An adequate flow of cooling air should be directed along the cooling fins towards the body of the tube to keep the temperature of the anode block below 150 °C under any condition of operation. If necessary, the heater-cathode terminal should also be cooled to keep its temperature below 165 °C.

Data based on pre-production tubes

LIMITING VALUES (Absolute max. rating system)

Pulse duration	T_{imp}	max.	1 μs
Duty factor	δ	max.	0.001
Peak anode current	I_{ap}	max.	15 A
Mean input power	W_{i_a}	max.	200 W
Rate of rise of voltage pulse	dV_a/dT	max.	160 kV/ μs
Voltage standing wave ratio	V.S.W.R.	max.	1.5
Temperature of anode block	t_a	max.	150 °C
Temperature of cathode and heater seals	t_s	max.	165 °C
Input pressurization		min.	45 cmHg (0.6 kg/cm ² abs.)

The output assembly must always be pressurized. When the magnetron is working into a matched load, the pressure on the output window must be higher than 1 kg/cm² abs.

TYPICAL CHARACTERISTICS

Frequency, fixed within the band	f	16.350 to 16.650	GHz
Peak anode voltage at $I_{ap} = 15$ A	V_{ap}	11 to 13	kV
Stable range at matched load: peak anode current	I_{ap}	7.5 to 15	A
Pulling figure	Δf_p	max.	25 MHz
Frequency temperature coefficient	$\frac{\Delta f}{\Delta t}$	max.	- 0.5 MHz/°C
Distance of voltage standing wave minimum 1)	d	0.40 to 0.54	λ_g
Input capacitance	C_{ak}		9 pF
Frequency pushing	$\frac{\Delta f}{\Delta I_{ap}}$	max.	4 MHz/A

1) The distance of the V.S.W. minimum outside the tube is between 0.40 and 0.54 λ_g with respect to reference plane A. (see outline drawing), measured with a standard cold test technique at the frequency of the oscillating magnetron operating in a matched load.

OPERATING CHARACTERISTICS

Pulse duration	T_{imp}	0.5 μs
Pulse repetition frequency	f_{imp}	800 Hz
Duty factor	δ	0.0004
Heater voltage (running)	V_f	10 V
Anode current, peak	I_{ap}	15 A
mean	I_a	6 mA
Peak anode voltage	V_{ap}	11 to 13 kV
Rate of rise of voltage pulse	dV_a/dT	100 to 160 kV/ μs
Output power, peak	W_{op}	45 kW
mean	W_o	18 W

The manufacturer should be consulted whenever it is considered to operate the magnetron at conditions substantially different from those given above.

STARTING A NEW MAGNETRON

This magnetron is provided with a getter, so that ageing (of a new magnetron or of a magnetron that has been idle or stored for a period of time) will not be necessary in most cases. If, however, the magnetron is put into operation and some sparking and instability occur incidentally, it is recommended to increase the anode current gradually and to operate the magnetron with reduced input during 15 to 30 minutes. After this period sparking usually ceases.

CIRCUIT NOTES

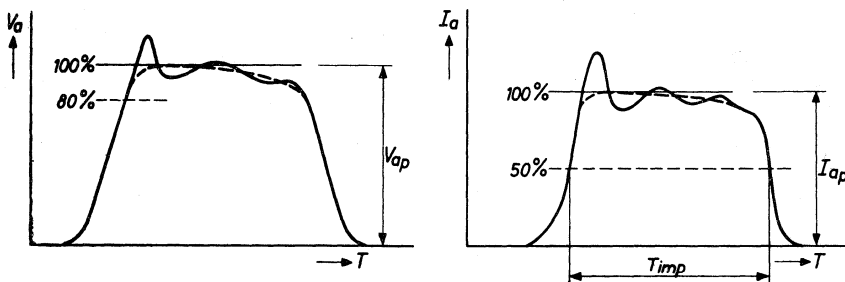
- a) In order to prevent heater burn-out the negative high-voltage pulse must be applied to the common cathode-heater terminal.
- b) If no load isolator is inserted between the magnetron and the transmission line, the latter should be as short as possible to prevent long-line effects. Under no circumstances should the magnetron be operated with a V.S.W.R. of the load exceeding 1.5. A ratio kept near unity will benefit tube life and reliability.
- c) The modulator must be so designed that, if arcing occurs, the energy per pulse delivered to the magnetron does not considerably exceed the normal energy per pulse. Modulators of the pulse-forming-network discharge type usually satisfy this requirement.
- d) It is required to bypass the magnetron heater with a 1000 V rated capacitor of minimum 4 nF directly across the heater terminals.
- e) Any diode current flowing during the intervals between the pulses should be taken into account when the peak anode current is calculated from the measured average anode current. The occurrence of this diode current can be avoided by preventing that during these intervals the anode voltage becomes positive with respect to the cathode.
- f) The unwanted noise that may occur when the anode pulse voltage drops below the value required for oscillation can be minimized by making the trailing edge of the voltage pulse as steep as possible.

PULSE CHARACTERISTICS AND DEFINITIONS

The smooth peak value (V_{ap} or I_{ap}) of a pulse is the maximum value of a smooth curve through the average of the fluctuation over the top portion of the pulse as shown in the figure below.

The rate of rise of anode voltage is defined by the steepest tangent to the leading edge of the voltage pulse above 80 % of the smooth peak value (fig.1). Any capacitance used in a removable viewing system shall not exceed 6 pF. For calculation of the rate of rise of anode voltage the 100 % value must be taken as 12 kV.

The pulse duration (T_{imp}) is the time interval between the two points on the current pulse at which the current is 50 % of the smooth peak current (fig.2).



The current pulse must be substantially square and the ripple over the top portion of the current pulse must be kept as small as possible to avoid unwanted frequency modulation due to pushing effects. The spike on the top portion of the pulse must be small to avoid excessive peak pulse current. The leading edge of the pulse must be free from irregularities.

STORAGE, HANDLING AND MOUNTING

The original packing should be used for the transport of the magnetron.

The magnetron should never be held by the heater cathode stem.

Rough treatment of the metal envelope and of the cooling fins may impair the electrical characteristics or may result in loss of vacuum.

When storing, the packaged magnetrons should be kept not less than 15 cm (6 inches) apart, to prevent a decrease of field strength of the magnetron magnet as a result of interaction with the adjacent magnets. If the magnetrons are stored in their original inner container, no special precautions need be taken with regard to the distance apart. If the magnetrons are stored without their inner container, they should be stored in non-magnetic surroundings e.g. on wooden shelves.

STORAGE, HANDLING AND MOUNTING (continued)

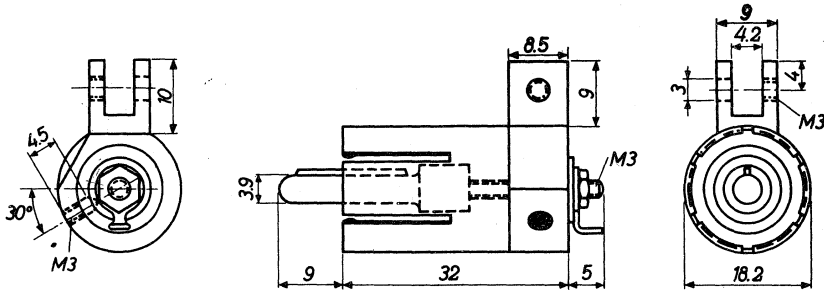
When handling and mounting the magnetron, a minimum distance of 5 cm (2 inches) between the magnet and any piece of magnetic material should be maintained to avoid mechanical shocks to the magnet or the glass of the heater-cathode stem. For this reason it is required to use non-magnetic tools during installation, such as non-magnetic stainless steel, brass, beryllium copper and aluminium. Furthermore, the user should be aware of the detrimental influence of the strong magnetic field around the magnet on watches and other precision instruments nearby.

Mounting of the magnetron should be accomplished by means of its mounting flange. The tube should in no case be supported by the coupling to the waveguide output flange alone.

A dust-cover is placed on the output flange, to keep its opening closed until the tube is mounted into the equipment. Before putting the magnetron into operation, the user should make sure that the output waveguide and the recessed cathode terminal are entirely clean and free from dust and moisture.

MECHANICAL DATA

Mounting position	any
Net weight	2.1 kg
Waveguide output flange	WG18 plain flange drilled and tapped for four 6 - 32 UNC bolts (as in UG-541) to mate with UG-419.
Cathode connector	55356

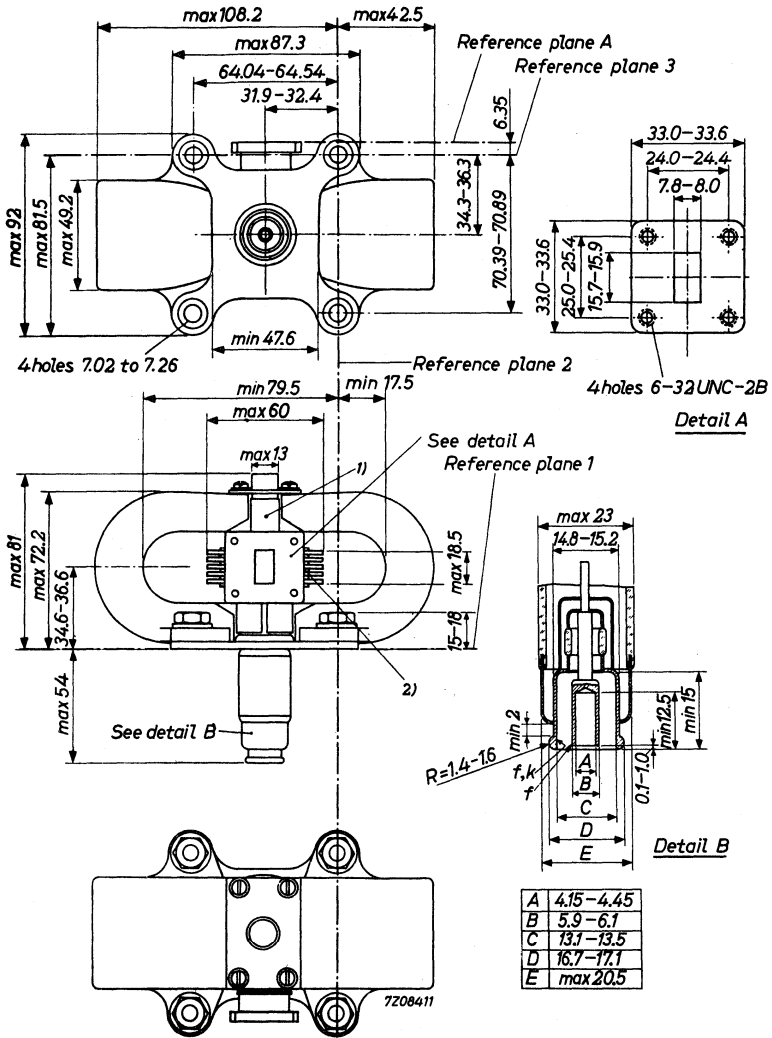


cathode connector 55356

The mounting flange and also the waveguide output system of the tube are made so that the magnetron can be used in applications requiring a pressure seal. They can be maintained at a pressure of max. 3.1 kg/cm² (45 lbs/sq. inch).

MECHANICAL DATA

Dimensions in mm



1) Inscription of serial number.

2) Point for anode block temperature measurement located near the output section where the central fin meets the anode block.

PULSED MAGNETRON

Packaged magnetron for pulsed service at a fixed frequency.
This magnetron is suitable for operation at high altitudes.

QUICK REFERENCE DATA			
Frequency, fixed within the band	f	9.345 to 9.405	MHz
Peak output power	W_{op}	50	kW
Construction		packaged, flying leads	

HEATING: indirect

Heater voltage	V_f	12.4	V
Heater current	I_f	2.2 ± 0.2	A
Peak heater starting current	I_{fop}	max. 10	A
Waiting time	T_w	min. 90	s

LIMITING VALUES (Absolute max. rating system)

Pulse duration	T_{imp}	max. 5.0	μs
Duty factor	δ	max. 0.0025	
Peak anode current	I_{ap}	min. 8.0	A
		max. 14	A
Mean input power	W_i	max. 350	W
Rate of rise of anode voltage	$\frac{dV_a}{dT}$	max. 80	kV/ μs
Voltage standing wave ratio	VSWR	max. 1.5	
Anode block temperature	t_a	max. 120	$^{\circ}C$
Cathode and heater seals temperature	t_s	max. 150	$^{\circ}C$

PRESSURISING

The magnetron is capable of unpressurised operation at altitudes up to 30 000 ft (≈ 9 km).

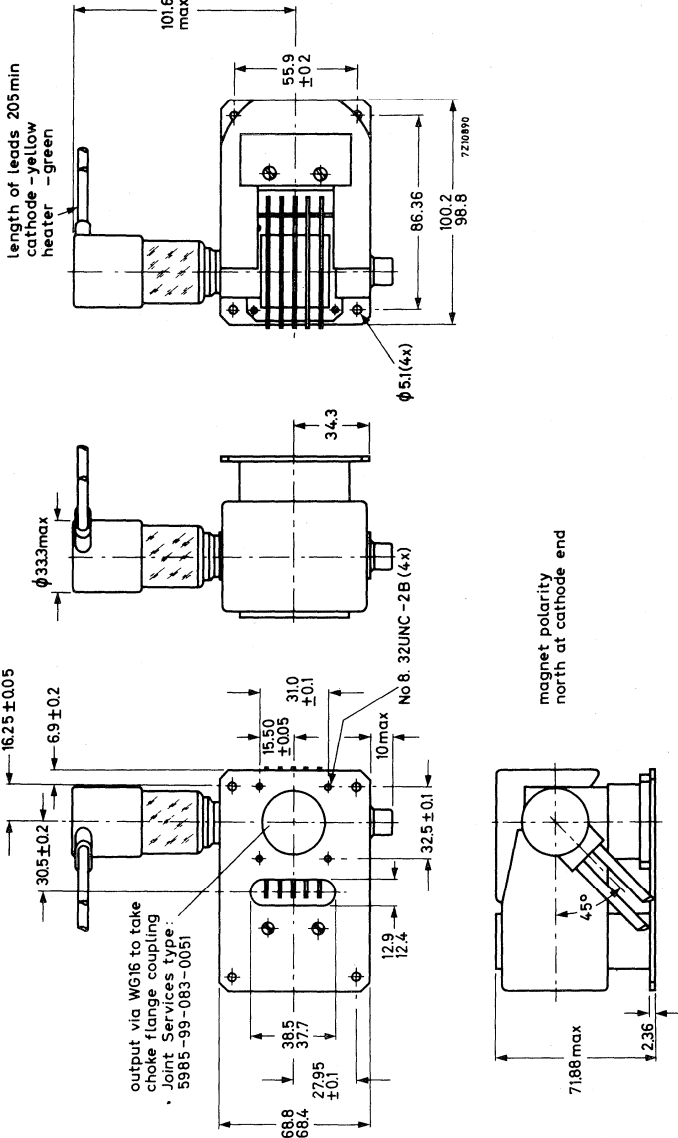
Data based on pre-production tubes.

MECHANICAL DATA

Dimensions in mm

Net weight: 1.9 kg

Mounting position: any



TYPICAL CHARACTERISTICS

Frequency, fixed within the band	f	9.345 to 9.405 GHz
Peak anode voltage at $I_{ap} = 12$ A	V_{ap}	11 to 12.5 kV
Peak output power at $I_{ap} = 12$ A	W_{op}	> 40 kW
Pulling figure at VSWR = 1.3	Δf_p	< 15 MHz
Pushing figure	$\frac{\Delta f}{\Delta I_{ap}}$	< 0.5 MHz/A
Frequency temperature coefficient	$\frac{\Delta f}{\Delta t}$	< 0.25 MHz/degC

OPERATING CHARACTERISTICS

Heater voltage (running)	V_f	7.7 V
Pulse duration	T_{imp}	4.0 μ s
Pulse repetition rate	f_{imp}	400 p.p.s.
Duty factor	δ	0.0016
Peak anode current	I_{ap}	12 A
Mean anode current	I_a	19.2 mA
Peak anode voltage	V_{ap}	12 kV
Rate of rise of anode voltage	$\frac{dV_a}{dT}$	60 kV/ μ s
Mean input power	W_i	230 W
Peak input power	W_{ip}	144 kW
Mean output power	W_o	80 W
Peak output power	W_{op}	50 kW
Pulling figure (VSWR = 1.3)	Δf_p	10 MHz

END OF LIFE PERFORMANCE

The magnetron is deemed to have reached end of life when it fails to satisfy the following:

Peak anode power at $I_{ap} = 12$ A	W_{op}	min.	35 kW
Frequency within the band	f	9.345 to 9.405	GHz
Peak anode voltage at $I_{ap} = 12$ A	V_{ap}	11 to 13.5	kV



PULSED MAGNETRON

Packaged magnetron for pulsed service at a fixed frequency.

QUICK REFERENCE DATA			
Frequency, fixed within the band	f	9.415 to 9.475	GHz
Peak output power	W_{op}	65	kW
Construction		packaged	

HEATING: indirect

Heater voltage	V_f	6.3	V 1)2)
Heater current	I_f	1.0	A
Peak heater starting current	I_{fop}	max.	5.0 A
Waiting time at t_{amb} above -15°C	T_w	min.	2 min
Waiting time at t_{amb} between -15°C and -55°C	T_w	min.	3 min

LIMITING VALUES (Absolute max. rating system)

Pulse duration	T_{imp}	max.	1.0 μs	3)
Duty factor	δ	max.	0.001	
Peak anode current	I_{ap}	min.	12 A	
Mean input power	W_i	max.	16 W	
Peak anode voltage	V_{ap}	max.	16 kV	
Rate of rise of anode voltage	$\frac{dV_a}{dT}$	min.	100 kV/ μs^4	
		max.	150 kV/ μs^4	
Voltage standing wave ratio	VSWR	max.	1.5	
Anode temperature	t_a	max.	120 $^{\circ}\text{C}$	
Heater voltage	V_f	min.	5.7 V	
		max.	7.0 V	

COOLING

Adequate cooling is provided at maximum input power by an air flow of 0.43 m³/min at $t_{amb} = 55^{\circ}\text{C}$ and standard pressure from an orifice of 31.75 mm diameter located at 6.35 mm from the cooling fins.

- 1) With no anode input power. The heater voltage during operation is very dependant on the application and should be agreed with the manufacturer.
- 2) The magnetron is normally tested with a heater supply of 50 Hz and is suitable for operation at 1.1 kHz. The manufacturer should be consulted if the magnetron is to be operated with a supply of any other frequency.
- 3) The tolerance of pulse current duration (T_{imp}) measured at 50% amplitude is $\pm 10\%$.
- 4) Defined as the steepest tangent to the leading edge of the anode voltage pulse above 80% amplitude.
- 5) Measured at a point indicated on the outline drawing.

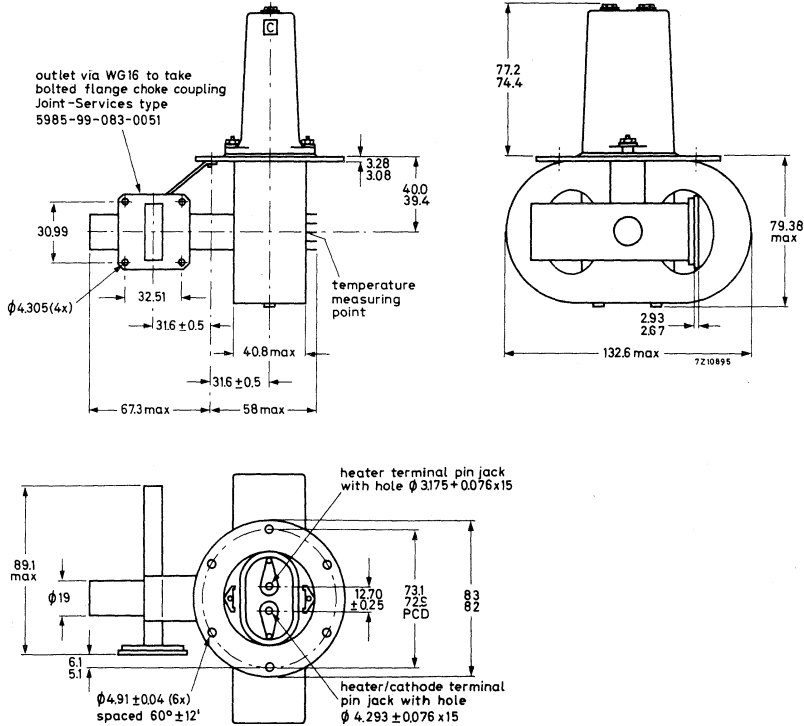
Data based on pre-production tubes.

MECHANICAL DATA

Dimensions in mm

Net weight: 2.1 kg

Mounting position: Any 8)



8) See page 4

TEST CONDITIONS AND LIMITS

Test conditions

Heater voltage (running)	V_f	0	V
Mean anode current	I_a	8.8	mA
Duty factor	δ	0.00062	
Pulse duration	T_{imp}	0.5	μs 3)
Voltage standing wave ratio	VSWR	max. 1.05	
Rate of rise of anode voltage	$\frac{dV_a}{dT}$	min. 150	kV/ μs 4)

Limits and characteristics

		min.	max.	
Peak anode voltage	V_{ap}	12.5	15	kV
Mean output power	W_o	34		W
Frequency	f	9.415	9.475	GHz 3)
R.F. bandwidth at $\frac{1}{4}$ power	B		$\frac{2.5}{T_{imp}}$	MHz
Pulling figure (VSWR = 1.5)	Δf_p		15	MHz
Minor lobe level		6.0		dB
Stability			0.25	% 6)
Frequency temperature coefficient	$\frac{\Delta f}{\Delta t_a}$		0.25	MHz/degC 7)
Heater current at $V_f = 6.3$ V, $V_a = 0$ V	I_f	0.9	1.1	A

OPERATING CHARACTERISTICS

Heater voltage (running)	V_f	1.0	V
Pulse duration	T_{imp}	0.5	μs
Pulse repetition rate	f_{imp}	1250	p.p.s.
Duty factor	δ	0.00062	
Peak anode current	I_{ap}	14	A
Rate of rise of anode voltage	$\frac{dV_a}{dT}$	145	kV/ μs 4)
Peak anode voltage	V_{ap}	14	kV
Mean output power	W_o	40.5	W
Peak output power	W_{op}	65	kW

3)4)5) See page 1

6)7) See page 4

END OF LIFE PERFORMANCE

The quality of all production is monitored by random selection of magnetrons which are then lifetested under the stated test conditions. If the magnetron is to be operated under different conditions from those specified above, the manufacturer should be consulted to verify that the life will not be affected. The magnetron is considered to have reached the end of life when it falls to meet the following limits when tested as specified under "Test conditions and limits".

Peak output power	W_{op}	min.	50 kW
Frequency	f	9.415 to 9.475	GHz
R.F. bandwidth at $\frac{1}{4}$ power	B	max.	$\frac{3.5}{T_{imp}}$ MHz
Stability		max.	0.5 %

6) With the magnetron operating into a VSWR of 1.5 varied through all phases over the anode current range of 12 A to 16 A peak. Pulses are defined as missing when the R.F. energy level is < 70% of the normal level in the frequency range 9.415 GHz to 9.475 GHz. Missing pulses are expressed as a percentage of the number of input pulses applied during the period of observation after a period of 3 minutes of operation.

7) Design test only. Maximum frequency change with anode temperature change after warming.

8) It is necessary to keep all magnetic material as far as possible, at least 50 mm away from the magnet.

The inner polystyrene pack of the carton provides adequate separation between magnetrons, and it is recommended that magnetrons not in use be kept in these packs.

PULSED MAGNETRON

Packaged magnetron for pulsed service at a fixed frequency.

QUICK REFERENCE DATA		
Frequency, fixed within the band	f	9.380 to 9.440 GHz
Peak output power	W_{op}	7.0 kW
Construction		packaged, flying leads

HEATING: indirect

Heater voltage	V_f	6.3 V	1)
Heater current	I_f	0.5 A	
Peak heater starting current	I_{fop}	max. 3.0 A	
Waiting time at t_{amb} above 0°C	T_w	min. 30 s	
Waiting time at t_{amb} between 0°C and -55°C	T_w	min. 45 s	

LIMITING VALUES (Absolute max. rating system)

Pulse duration	T_{imp}	max. 1.0 μ s
Duty factor	δ	max. 0.001
Peak anode current	I_{ap}	min. 4.0 A
		max. 6.0 A
Mean input power	W_i	max. 20 W
Peak input power	W_{ip}	max. 20 kW
Peak anode voltage	V_{ap}	min. 4.0 kV
		max. 4.6 kV
Rate of rise of anode voltage	$\frac{dV_a}{dT}$	max. 75 kV/ μ s ²)
Voltage standing wave ratio	VSWR	max. 1.5
Anode temperature	t_a	max. 120 °C
Heater voltage	V_f	min. 5.7 V
		max. 6.9 V

COOLING: natural

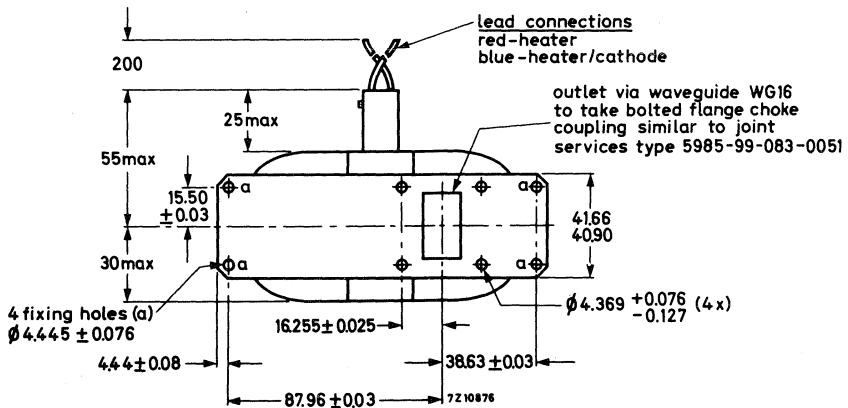
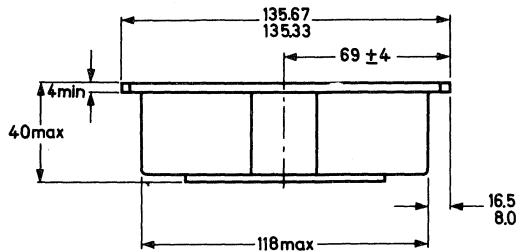
- 1) The magnetron is normally tested with a heater supply of 50 Hz and is suitable for operation at 1 kHz. The manufacturer should be consulted if the magnetron is to be operated with a supply of any other frequency.
- 2) Defined as the steepest tangent to the leading edge of the voltage pulse above 80% amplitude.

MECHANICAL DATA

Dimensions in mm

Net weight: 1.25 kg

Mounting position: any 8)



8) See page 4

TEST CONDITIONS AND LIMITS

Test conditions

Heater voltage	V_f	6.3	V	
Mean anode current	I_a	5.0	mA	
Duty factor	δ	0.001		
Pulse duration	T_{imp}	1.0	μs	3)
Voltage standing wave ratio	VSWR	1.05		
Rate of rise of anode voltage	$\frac{dV_a}{dT}$	min. 75	kV/ μs	2)

Limits and characteristics

		min.	max.	
Peak anode voltage	V_{ap}	4.0	4.5	kV
Mean output power	W_o	6.0		W
Frequency	f	9.380	9.440	GHz
R.F. bandwidth at $\frac{1}{4}$ power	B		$\frac{2.5}{T_{imp}}$	MHz 3)
Pulling figure	Δf_p		18	MHz
Stability			0.25	% 4)
Minor lobe level		6.0		dB
Cold impedance		see note 5)		
Frequency temperature coefficient	$\frac{\Delta f}{\Delta t_a}$		0.25	MHz/degC 6)
Input capacitance	C_{ak}		9.0	pF 7)
Heater current at $V_f = 6.3$ V, $V_a = 0$ V	I_f	0.5	0.6	A

OPERATING CONDITIONS

Heater voltage	V_f	6.3	6.3	V
Pulse duration	T_{imp}	0.1	1.0	μs
Pulse repetition rate	f_{imp}	2000	1000	p.p.s.
Duty factor	δ	0.0002	0.001	
Peak anode current	I_{ap}	5.0	5.0	A
Rate of rise of anode voltage	$\frac{dV_a}{dT}$	60	60	kV/ μs 2)
Peak anode voltage	V_{ap}	4.25	4.25	kV
Mean output power	W_o	1.4	7.0	W
Peak output power	W_{op}	7.0	7.0	kW

2) See page 1

3), 4), 5), 6), 7) See page 4

END OF LIFE PERFORMANCE

The quality of all production is monitored by the random selection of magnetrons which are then life tested under the stated test conditions. If the magnetron is to be operated under different conditions from those specified above, the manufacturer should be consulted to verify that the life will not be affected.

The magnetron is considered to have reached the end of life when it fails to meet the following limits when operated under the conditions specified under "Test conditions and limits".

Mean output power	W_o	min.	5.0	W
Peak anode voltage	V_{ap}	4.0 to	4.5	kV
Frequency	f	9.380 to	9.440	GHz

VIBRATION

The magnetron is vibration tested to ensure that it will withstand normal conditions of service.

Notes

- 3) The tolerance of pulse current duration (T_{imp}) is $\pm 10\%$.
- 4) With the magnetron operating into a VSWR of 1.5 varied through all phases over an anode current range of 4.0 mA to 6.0 mA. Pulses are defined as missing when the energy level is less than 70% of the normal level in the frequency range 9.380 GHz to 9.440 GHz.
Missing pulses are expressed as a percentage of the number of input pulses applied during the period of observation after a period of 10 minutes operation.
- 5) The cold impedance is measured at the operating frequency and will give a VSWR of 6. The position of the voltage minimum from the face of the output flange into the magnetron shall be 3.0 mm to 9.0 mm.
- 6) Design test only. Maximum frequency change with anode temperature change, after warming.
- 7) Design test only.
- 8) It is necessary to keep all magnetic material as far as possible, at least 50 mm from the magnet. The inner polystyrene pack of the carton provides adequate separation between magnetrons and it is recommended that the magnetrons not in use be kept in these packs.

PULSED MAGNETRON

Packaged magnetron for pulsed service at a fixed frequency.

QUICK REFERENCE DATA		
Frequency, fixed within the band	f	9345 to 9405 MHz
Peak output power	W_{op}	7.5 kW
Construction	packaged	

HEATING: indirect

Heater voltage	V_f	6.3 V
Heater current at $V_f = 6.3$ V	I_f	< 600 mA
Cathode heating time ($t_{amb} > 0$ °C)	T_w	min. 120 s
Cathode heating time ($t_{amb} < 0$ °C)	T_w	min. 180 s

For average input powers greater than 25 W, it is necessary to reduce the heater voltage within 3 sec. of applying high tension in accordance with the formula

$$V_f = 6.3 \left(1 - \frac{W_i}{180}\right) V.$$

TYPICAL CHARACTERISTICS

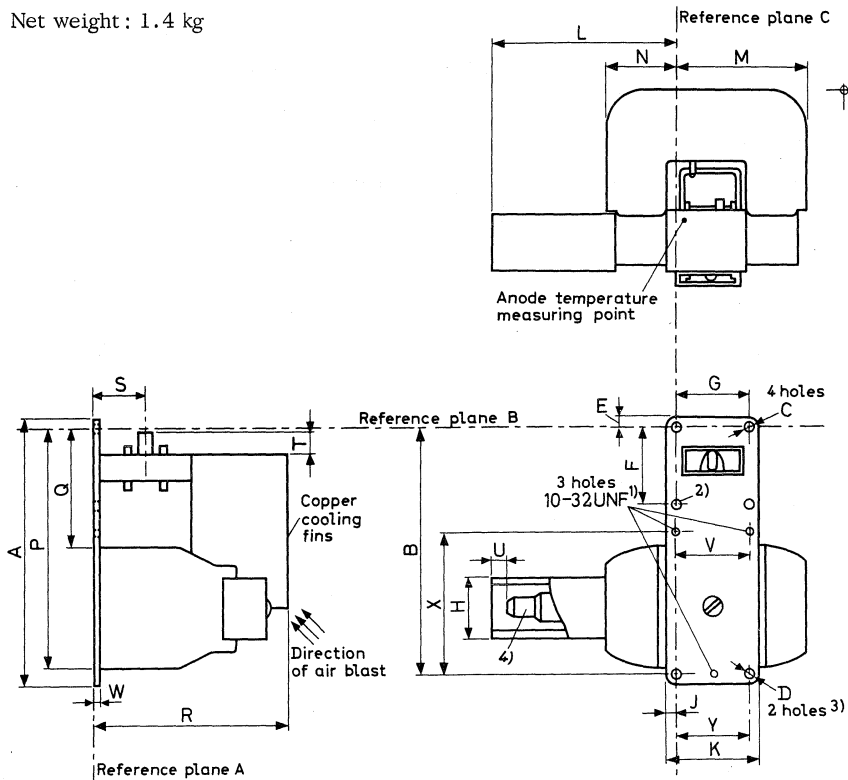
Frequency, fixed within the range	f	9345 to 9405 MHz
Peak anode voltage at $I_{ap} = 4.5$ A	V_{ap}	5.3 to 5.7 kV
Peak output power at $I_{ap} = 4.5$ A	W_{op}	> 7 kW
Pulling figure	Δf_p	< 15 MHz
Frequency temperature coefficient	$\frac{\Delta f}{\Delta t}$	< 0.25 MHz/°C
Distance of voltage standing wave minimum from face of mounting plate into tube	d	> 13.5 mm
		< 22.5 mm
Input capacitance	C_i	< 8.0 pF

COOLING

In normal circumstances radiation and convection cooling is adequate, but where the ambient temperature is high, a flow of cooling air between the radiator fins is necessary to keep the anode block temperature below the permitted value

MECHANICAL DATA

Net weight : 1.4 kg



Mounting position: any

Magnetron output designed for coupling to standard rectangular waveguide RG-52U. For drawing of this waveguide see front of this section.

- 1) Holes shall be within 0.015" (0.381 mm) of indicated centre
- 2) Centre of this hole is within 0.004" (0.1016 mm) of reference plane C
- 3) Holes shall be within 0.005" (0.127 mm) of indicated centre. A cylinder of 0.33" (8.382 mm) dia. centred in holes shown shall clear the side of the magnet
- 4) Base: miniature bayonet. Sleeve: f+k; centre: f.

MECHANICAL DATA (continued)Dimensions

The millimetre dimensions are derived from the original inch dimensions

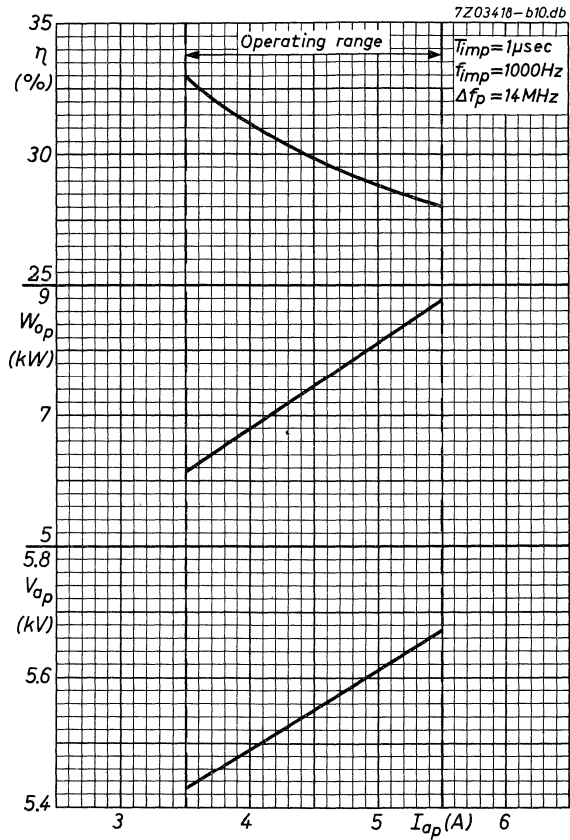
Dim.	Inches			Millimetres		
	Min.	Nom.	Max.	Min.	Nom.	Max.
A	4.438	-	4.469	112.7	-	113.5
B	-	4.103	-	-	104.2	-
C	0.167	-	0.173	4.24	-	4.39 dia
D	0.172	-	0.178	4.37	-	4.52 dia
E	0.156	-	0.188	3.96	-	4.78
F	1.276	-	1.284	32.4	-	32.5
G	1.216	-	1.224	30.9	-	31.1
H	-	-	1.0	-	-	25.4
J	0.188	-	0.219	4.78	-	5.56
K	1.609	-	1.641	40.9	-	41.7
L	2.688	-	3.188	68.28	-	80.98
M	-	-	2.188	-	-	55.58
N	-	-	1.188	-	-	30.18
P	-	-	4.0	-	-	101.6
Q	1.938	-	-	49.22	-	-
R	-	-	3.313	-	-	84.15
S	0.750	-	1.0	19.05	-	25.40
T	-	-	0.375	-	-	9.52
U	-	-	0.250	-	-	6.35
V	-	1.250	-	-	31.75	-
W	-	0.125	-	-	3.175	-
X	-	2.393	-	-	60.78	-
Y	-	1.220	-	-	30.99	-

LIMITING VALUES (Absolute limits)

Pulse duration	T_{imp}	= max.	2.5 μs
Duty factor	δ	= max.	0.0025
Peak anode voltage	V_{ap}	= max.	6.0 kV
		= min.	5.0 kV
Peak anode current	I_{ap}	= max.	5.5 A
		= min.	3.5 A
Average input power	W_i	= max.	82.5 W
Rate of rise of voltage pulse	$\Delta V / \Delta T_{RV}$	= max.	75 kV/ μs
Voltage standing wave ratio	V.S.W.R.	= max.	1.5
Temperature of anode block	t_a	= max.	120 °C

OPERATING CHARACTERISTICS

Running heater voltage	V_f	=	6.3 V
Pulse duration	T_{imp}	=	1.0 μs
Pulse repetition frequency	f_{imp}	=	1000 Hz
Duty factor	δ	=	0.001
Peak anode voltage	V_{ap}	=	5.5 kV
Rate of rise of voltage pulse	$\Delta V / \Delta T_{RV}$	=	50 kV/ μs
Peak anode current	I_{ap}	=	4.5 A
Average input current	I_a	=	4.5 mA
Average input power	W_i	=	24.7 W
Average output power	W_o	=	7.5 W
Peak output power	W_{Op}	=	7.5 kW
Pulling figure (V.S.W.R. = 1.5)	Δf_p	=	14 MHz



PULSED MAGNETRON

Air cooled packaged tunable magnetron for pulsed service.

QUICK REFERENCE DATA			
Frequency, tunable within the band	f	8500 to 9600	MHz
Peak output power	W_{op}	60	kW
Pulse duration	T_{imp}	0.1 to 3.4	μs
Construction		packaged	

HEATING: indirect

Heater starting voltage	V_{f_0}	=	6.3 V \pm 10%
Heater current at $V_f = 6.3$ V	I_f	=	0.9 to 1.1 A
Waiting time	T_w	= min.	2 min
Heater resistance in cold condition	R_{f_0}	>	0.85 Ω

The heater voltage should be switched off for average input powers of more than 150 W immediately after the application of high voltage. For smaller input powers, the heater voltage must be reduced in accordance with the curve on page 11.

The heater should be bypassed with a 1000 V rated capacitor of min. 4000 pF directly across the heater terminals.

TYPICAL CHARACTERISTICS

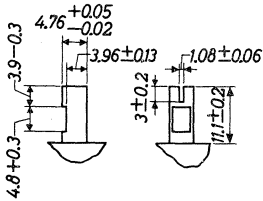
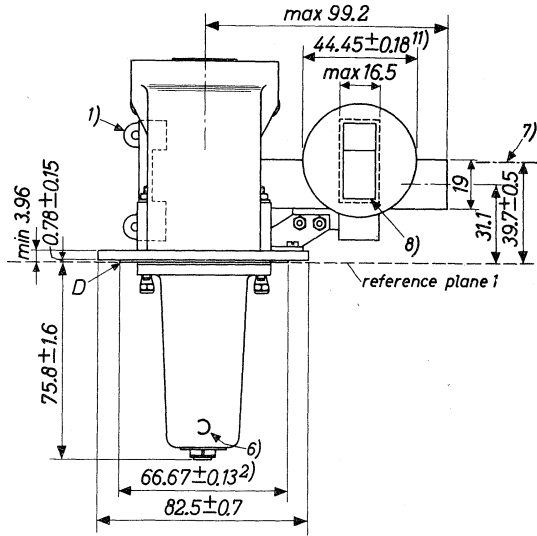
Peak anode voltage at $I_{ap} = 14$ A	V_{ap}	=	13 to 15.5 kV
Increase of peak anode voltage at a frequency variation from 8500 to 9600 MHz with I_{ap} constant	ΔV_{ap}	=	0.9 kV
Dynamic impedance	R_i	=	150 Ω
Pulling figure at V.S.W.R. = 1.5	Δf_p	<	18 MHz
Negative temperature coefficient	$-\frac{\Delta f}{\Delta t}$	<	0.25 MHz/ $^{\circ}C$ ¹⁾
Input capacitance	C_{ak}	=	6 pF

1) Measured with Anode current	I_a	=	10 mA
Frequency	f	=	9000 \pm 10 MHz
Anode block temperature	t_a	=	70 to 100 $^{\circ}C$
Four magnetic shunts			

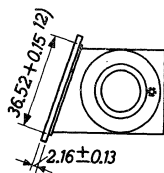
MECHANICAL DATA

Dimensions in mm

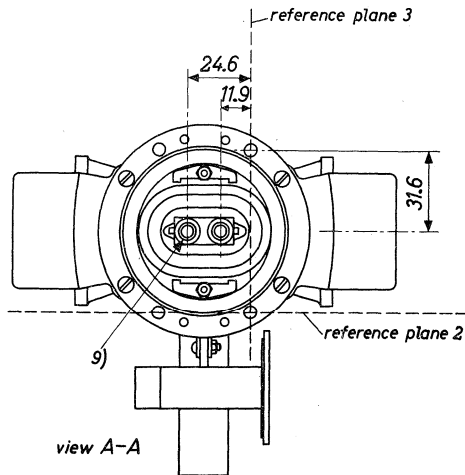
Net weight: 2.3 kg



Worm shaft ends



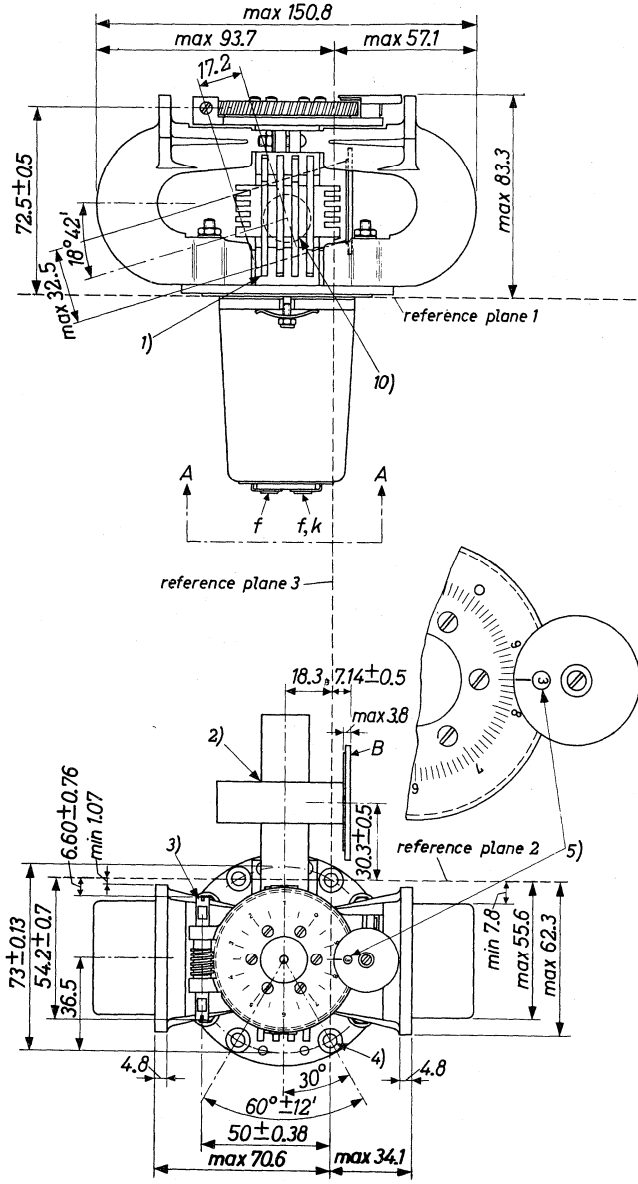
Magnetron output



1) 2) 3) 4) 5) 6) 7) 8) 9) 10) 11) 12) See page 4

MECHANICAL DATA (continued)

Dimensions in mm



TUNING

| Frequency
(MHz) | Scale reading | | Number of turns
of the worm shaft |
|--------------------|---------------|-----------------|--------------------------------------|
| | Geneva wheel | Large gear dial | |
| 9600 | 1 | 2.5 | } 61
} 45 |
| 9000 | 3 | 0 | |
| 8500 | 4 | 3 | |

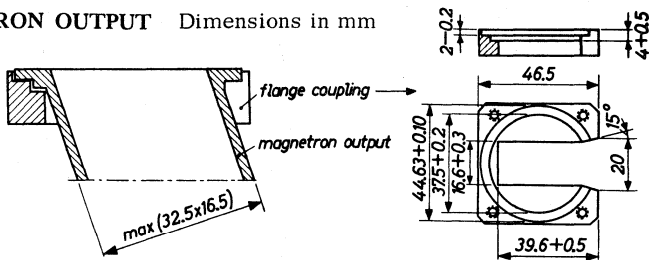
The tuning mechanism requires at room temperature a minimum torque of 700 g cm (10 inch ounces) applied at the worm shaft. The maximum permissible torque at the worm shaft is 2.8 kg cm (2.5 inch pounds).

About 110 turns of the worm shaft are required to cover the complete frequency range.

Notes from page 2 and 3

- 1) Four magnetic shunts. To remove surplus, grip firmly at tabs with suitable pliers and pull away from tube. The shunts are supplied loose with the tube.
- 2) All joints in the waveguide assembly and on the base plate within the specified diameter are soldered to provide hermetic seals at surfaces B and D.
- 3) To increase the frequency this end of the worm shaft should be driven in counter-clockwise direction.
- 4) Four holes with a diameter of 4.90 ± 0.07 mm.
- 5) Figure appearing here indicates the number of complete revolutions of the gear from 0 to 4.
- 6) The inscription C on the insulator which protects the heater lead-outs indicates that the adjacent jack is the common heater-cathode connection.
- 7) Centre line of waveguide opening.
- 8) The opening in the waveguide shall be enclosed by a dust cover when the tube is not in use.
- 9) Banana pin jack, 15 mm long, diameter 4.29 ± 0.13 mm.
- 10) Reference point for anode temperature measurement.
- 11) This diameter is concentric with the opening in the waveguide within 0.25 mm.
- 12) This diameter is concentric with the flange within 0.12 mm.

MAGNETRON OUTPUT Dimensions in mm



The magnetron output has been designed for coupling to the standard rectangular waveguide RG-51/U by means of a special flange coupling which fits the magnetron to the standard choke flange type UG-52A/U.

COOLING

An adequate air flow should be directed at the cooling fins of the anode to keep its temperature below 150 °C under any condition of operation. An anode temperature below 100 °C is recommended. Continuous operation at the maximum permissible anode temperature of 150 °C involves the risk of a somewhat shortened tube life.

LIMITING VALUES (Absolute max. rating system)

Each limiting value should be regarded independently of other values, so that under no circumstances it is permitted to exceed a limiting value whichever.

| | | | |
|------------------------------------------|---------------|------|------------------------------|
| Peak anode current | I_{ap} | max. | 15.5 A |
| Average input power | W_{ia} | max. | 230 W |
| Frequency | f | max. | 9650 MHz |
| | | min. | 8450 MHz |
| Voltage standing wave ratio | V.S.W.R. | max. | 1.5 |
| Duty factor | δ | max. | 0.0012 |
| Pulse duration | T_{imp} | max. | 3.6 μs |
| Pulse repetition rate | f_{imp} | max. | 6000 Hz |
| Rise time of voltage pulse | | | |
| at pulse durations from 0.1 to 1 μs | T_{RV} | min. | 0.08 μs |
| at pulse duration of 3.6 μs | T_{RV} | min. | 0.12 μs |
| Heater starting voltage | V_{f0} | max. | 7 V |
| Peak heater starting current | $I_{f surge}$ | max. | 6 A |
| Anode block temperature | t_a | | -60 to +150 °C ¹⁾ |

¹⁾ For reference point of temperature measurement see 10) page 3

OPERATING CHARACTERISTICS (without magnetic shunts; V.S.W.R. ≤ 1.05)

| | | | | | |
|---------------------------------------------|-----------|---------|--------|--------|-------------------|
| Frequency | f | 9000 | 9000 | 9000 | MHz |
| Pulse duration | T_{imp} | 0.1 | 1.0 | 3.4 | μs |
| Duty factor | δ | 0.00033 | 0.0010 | 0.0011 | |
| Heater voltage | V_f | 5.0 | 0 | 0 | V ¹⁾ |
| Peak anode voltage | V_{ap} | 14 | 14 | 14 | kV |
| Rise time of voltage pulse | T_{rV} | 0.08 | 0.08 | 0.12 | μs |
| Peak anode current | I_{ap} | 14 | 14 | 14 | A |
| Average output power | W_o | 20 | 60 | 65 | W |
| Peak output power | W_{op} | 60 | 60 | 60 | kW |
| Bandwidth at a V.S.W.R. = 1.5 ²⁾ | B | 9 | 1.2 | 0.5 | MHz ³⁾ |
| Stability at a V.S.W.R. = 1.5 ²⁾ | | 0.01 | - | 0.1 | % |

The manufacturer should be consulted whenever it is considered to operate the magnetron at conditions substantially different from those given above.

¹⁾ See pages 1 and 11.

²⁾ Mismatch at a distance of max. 500 mm from the output flange.

³⁾ Within the range $I_{ap} = 12.5$ to 15.5 A.

PRESSURE

Operation at pressures lower than 55 cm Hg may result in arcover with consequent damage to the magnetron.

The magnetron need not be pressurized when operating at atmospheric pressure.

The output assembly and the mounting flange permit applications at which pressurizing of the magnetron is required. They can be maintained at a pressure of max. 3.0 kg/cm^2 (43 lbs/sq. in.).

LIFE

Magnetron life depends on the operating conditions and is expected to be longer at shorter pulse lengths and smaller load mismatch.

After a long period of operation at a short pulse duration starting up at longer durations may result in unstable operation and should be avoided. Switching from minimum to maximum pulse duration with a working period at each pulse duration of more than one hour is not recommended.

CIRCUIT NOTES

- a. The negative high voltage pulse should be applied to the common cathode-heater terminal.
- b. If no load isolator is inserted between the magnetron and the transmission line, the latter should be as short as possible to prevent long-line effects. Under no circumstances should the magnetron be operated with a voltage standing wave ratio of the load exceeding 1.5. A ratio kept near unity will benefit tube life and reliability.
- c. The modulator must be so designed that, if arcing occurs, the energy per pulse delivered to the magnetron does not considerably exceed the normal energy per pulse.
- d. In order to prevent diode current from flowing during the interval between two pulses and to minimize unwanted noise during the region of the voltage pulse where the anode voltage has dropped below the value required to sustain oscillation, the trailing edge of the voltage pulse should be as steep as possible and the anode voltage should be prevented from becoming positive at any time in the interval between two pulses.
- e. The current pulse must be sensibly square and the ripple over the top portion of the current pulse must be kept as small as possible to avoid unwanted frequency modulation due to pushing effects. The spike on the top portion of the pulse must be small to avoid excessive peak pulse current. The leading edge of the pulse must be free from irregularities. The voltage pulse rise time should not be too short, because moding and arcing may then occur.

STORAGE, HANDLING AND MOUNTING

In storage sufficient distance should be maintained between the magnetrons to prevent decrease of field strength of the magnetron magnet due to the interaction with adjacent magnets. A minimum distance of 15 cm (6 inches) should be maintained between tubes. Magnetic materials should be kept away from the magnet a distance of at least 5 cm (2 inches) to avoid sharp mechanical shocks to the magnet. For this reason it is required to use non-magnetic tools during installation.

The opening in the waveguide output flange shall be protected by a dust cover until the tube is mounted into the equipment. Before putting the magnetron into operation, the user should make sure that the output waveguide is entirely clean and free from dust and moisture.

Mounting of the magnetron should be accomplished by means of its mounting flange. The tube should in no case be supported by the coupling to the waveguide output flange alone.

DIAGRAMS

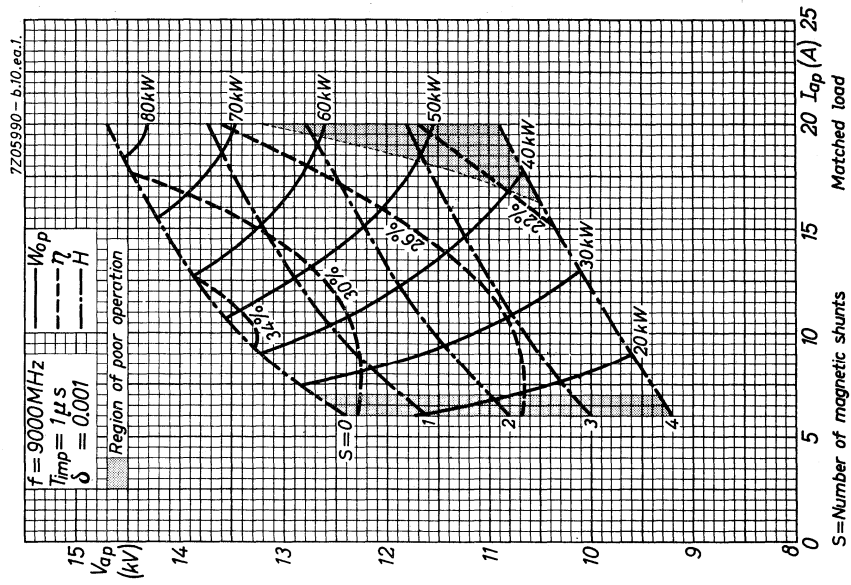
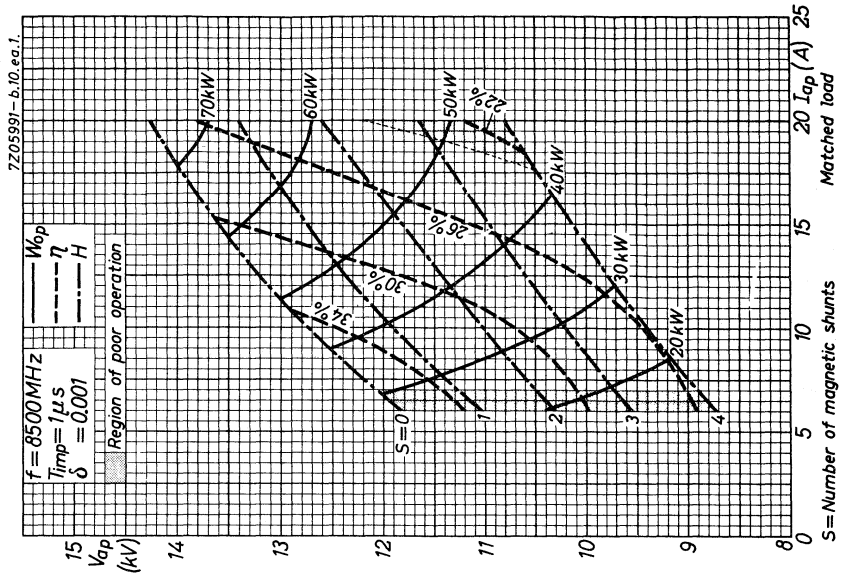
Average performance charts at a frequency of 8500, 9000 and 9600 MHz are given on page 9 and 10 respectively. The magnetron is operated into a matched load. These charts show contours of magnetic field strength (indicated by the number of magnetic shunts S), peak output power and efficiency as functions of peak anode voltage and peak anode current.

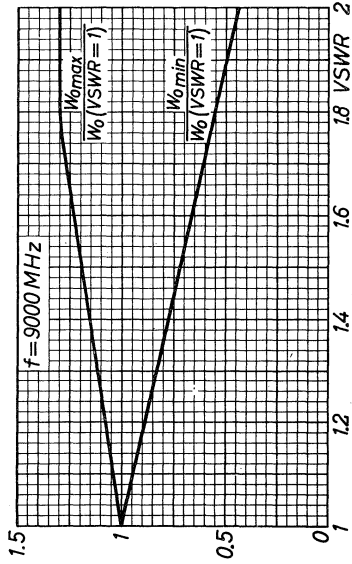
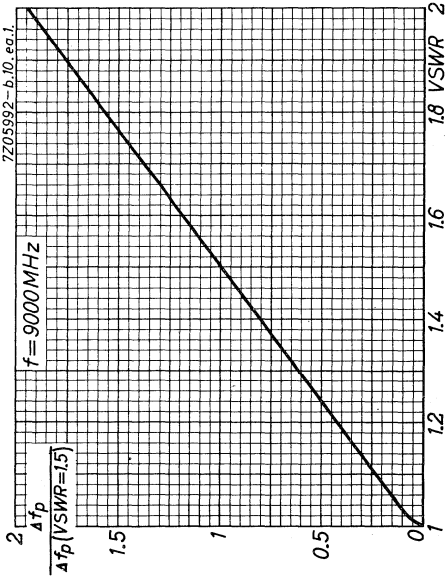
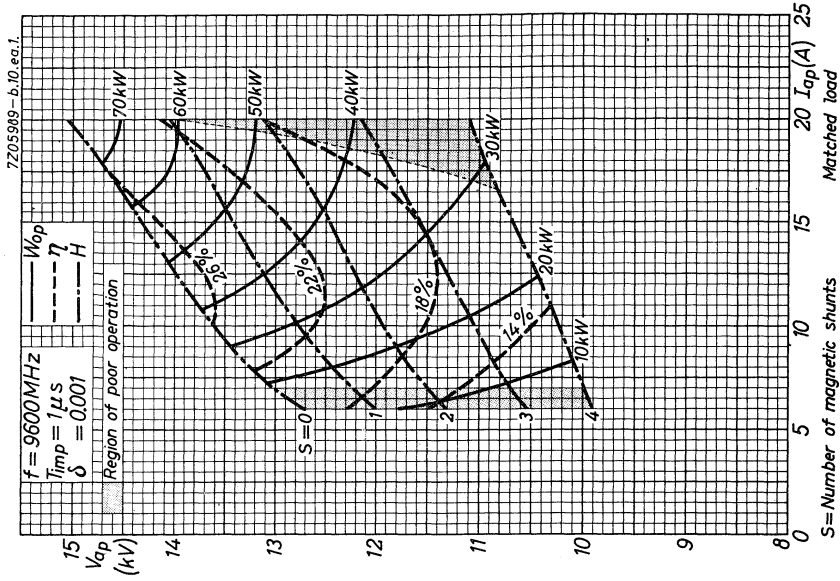
On page 10 the frequency pulling, compared with the frequency pulling at a V.S.W.R. of 1.5 is shown as a function of the voltage standing wave ratio for an average magnetron operating at 9000 MHz.

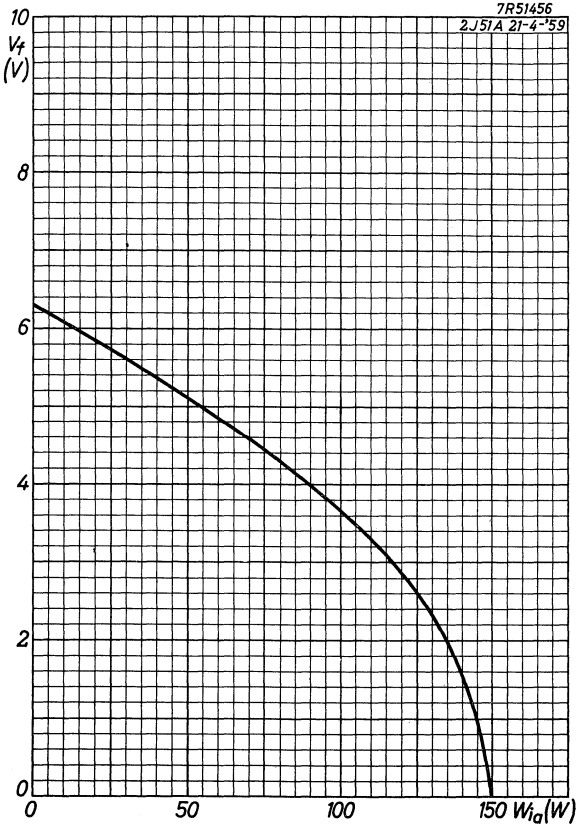
The lower part shows the output power, compared with the output power at a V.S.W.R. = 1, as a function of the voltage standing wave ratio for an average magnetron operating at 9000 MHz.

$W_{0 \max}$ = output power at phase adjusted for maximum power

$W_{0 \min}$ = output power at phase adjusted for minimum power







PULSED MAGNETRON

Packaged magnetron for pulsed service at a fixed frequency

| QUICK REFERENCE DATA | | | |
|----------------------------------|----------|--------------|-----|
| Frequency, fixed within the band | f | 9345 to 9405 | MHz |
| Peak output power | W_{op} | 50 | kW |
| Construction | | packaged | |

HEATING: indirect

| | | | |
|-------------------------------------|---------------------|---------------|--------------|
| Heater starting voltage | V_{fo} | 6.3 | V $\pm 10\%$ |
| Heater current at $V_f = 6.3$ V | I_f | 1.0 ± 0.1 | A |
| Peak heater starting current | $I_{f\text{surge}}$ | max. 6 | A |
| Heater resistance in cold condition | R_{fo} | < 0.8 | Ω |
| Waiting time | T_w | min. 2 | min |

Immediately after the application of anode power the heater voltage must be reduced according to page 8.

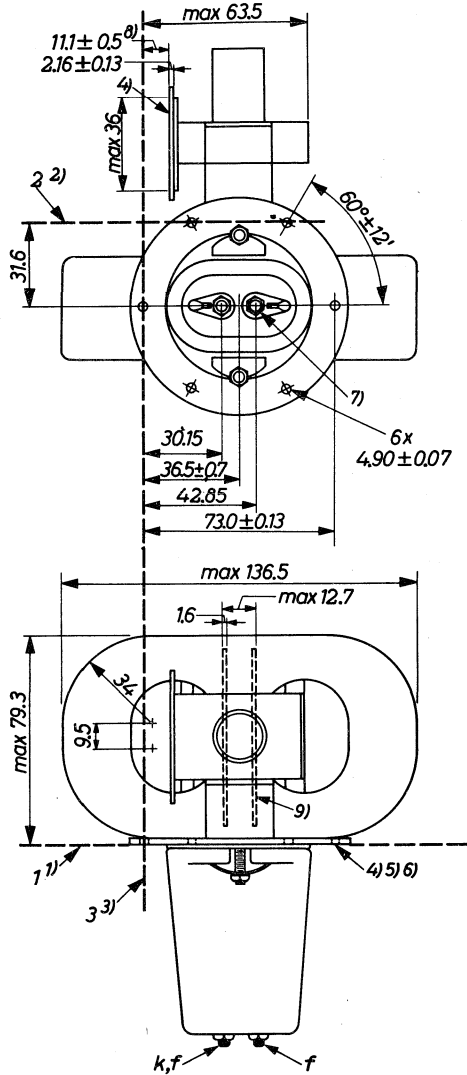
TYPICAL CHARACTERISTICS

| | | | |
|----------------------------------|------------------------------|--------|-------------------------|
| Peak anode voltage | V_{ap} | < 13.5 | kV |
| Negative temperature coefficient | $-\frac{\Delta f}{\Delta t}$ | < 0.25 | MHz/ $^{\circ}\text{C}$ |
| Pulling figure at V.S.W.R. = 1.5 | Δf_p | < 15 | MHz |
| Input capacitance | C_{ak} | 9.5 | pF |

MECHANICAL DATA

Dimensions in mm

Net weight: 1.7 kg



Mounting position: any

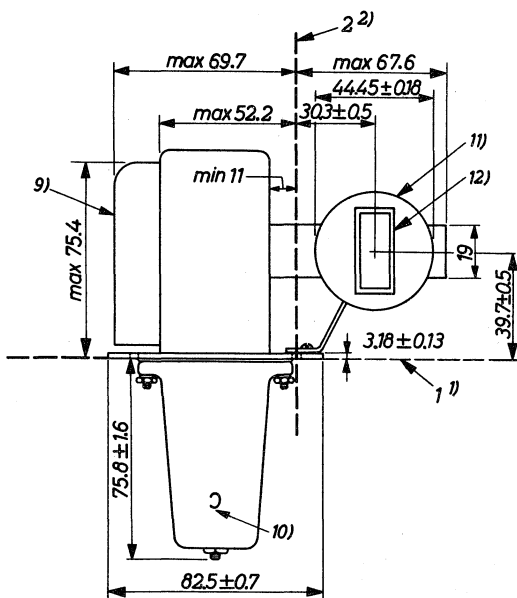
1) Reference plane 1

2) Reference plane 2

3) Reference plane 3

MECHANICAL DATA (continued)

- 4) All joints in the waveguide assembly and in the mounting plate are vacuum tight, so that the output flange and the mounting plate may be used to provide hermetic seals.
- 5) With the flange resting on a plane surface, the flatness of the mounting plate over a distance of 12.7 mm from the outer edge is such that a 0.25 mm thickness gauge 3 mm wide shall not enter for a distance of more than 6 mm.
- 6) Any portion of the assembly extending above this surface is within a 28.1 mm radius of the true centre of the plate.
- 7) Banana pin jack, 15 mm long hole, 4.29 ± 0.13 mm diameter.
- 8) The tolerance includes the angular as well as the lateral deviations of the surface.
- 9) Radiator fins.
- 10) The inscription C indicates the common heater-cathode connection.
- 11) The output flange is concentric with the open end of the waveguide to within 0.25 mm.
- 12) Rectangular waveguide with maximum outer dimensions of 32.5 x 16.5 mm.



LIMITING VALUES (Absolute limits)

Each limiting value should be regarded independently of other values, so that under no circumstances it is permitted to exceed a limiting value whichever.

| | | | |
|------------------------------|---------------|--------|----------------------------|
| Pulse duration | T_{imp} | = max. | 2.5 μs |
| Duty factor | δ | = max. | 0.001 |
| Heater starting voltage | V_{f_0} | = max. | 7 V |
| Peak heater starting current | $I_{f surge}$ | = max. | 6 A |
| Peak anode current | I_{ap} | = max. | 15 A |
| Average input power | W_{ia} | = max. | 180 W |
| Rise time of voltage pulse | T_{rV} | = min. | 0.05 μs ¹⁾ |
| | | = max. | 0.25 μs |
| Voltage standing wave ratio | VSWR | = max. | 1.5 |
| Anode block temperature | t_a | = max. | 150 °C |

OPERATING CHARACTERISTICS

| | | | | |
|----------------------------|-----------|---|---------|----------------------------|
| Heater voltage | V_f | = | 5 | 0 V ²⁾ |
| Pulse duration | T_{imp} | = | 0.1 | 1.0 μs |
| Duty factor | δ | = | 0.00033 | 0.001 |
| Peak anode voltage | V_{ap} | = | 12 | 12 kV |
| Rise time of voltage pulse | T_{rV} | = | 0.08 | 0.08 μs ¹⁾ |
| Peak anode current | I_{ap} | = | 12 | 12 A |
| Average output power | W_o | = | 16.5 | 50 W |
| Peak output power | W_{op} | = | 50 | 50 kW |

The manufacturer should be consulted whenever it is considered to operate the magnetron at conditions substantially different from those given above.

¹⁾ See "Pulse definitions" page 6.

²⁾ The heater voltage should be reduced from 6.3 V to the indicated value immediately after the application of the anode voltage.

MOUNTING

The wave-guide output is designed for coupling to the standard rectangular wave-guide RG-51/U.

Mounting of the magnetron should be accomplished by means of its mounting flange. The tube should in no case be supported by the coupling to the wave-guide output flange alone.

It is required to use non-magnetic tools during installation.

The opening in the output flange should be kept closed by the dust cover until the tube is mounted into the equipment.

Before putting the magnetron into operation, the user should make sure that the output wave-guide is entirely clean and free from dust and moisture.

COOLING

Continuous operation at an anode temperature of 150 °C involves the risk of somewhat shortened tube life. An anode temperature below 100 °C is recommended.

PRESSURISING

The magnetron need not be pressurized when operating at normal atmospheric pressure.

Operation at pressures lower than 52 cm of Hg may result in arcover with consequent damage to the magnetron.

The circular mounting flange and the wave-guide output system of the tube are made so that the magnetron can be used in applications requiring a pressure of max. 3.0 kg/cm² (43 lbs/sq.in.)

LIFE

Magnetron life depends on the operating conditions and is expected to be longer at shorter pulse duration. A load mismatch as low as possible contributes to a longer tube life.

CIRCUIT NOTES

- a. The negative high-voltage pulse should be applied to the common cathode-heater terminal.
- b. If no load isolator is inserted between the magnetron and the transmission line, the latter should be as short as possible to prevent long-line effects. Under no circumstances should the magnetron be operated with a voltage standing wave ratio of the load exceeding 1.5. A ratio kept near unity will benefit tube life and reliability.

CIRCUIT NOTES (continued)

- c. The modulator must be so designed that, if arcing occurs, the energy per pulse delivered to the magnetron does not considerably exceed the normal energy per pulse.
- d. In order to prevent diode current from flowing during the interval between two pulses and to minimize unwanted noise during the region of the voltage pulse where the anode voltage has dropped below the value required to sustain oscillation, the trailing edge of the voltage pulse should be as steep as possible and the anode voltage should be prevented from becoming positive at any time in the interval between two pulses.
- e. It is required to bypass the magnetron heater with a 1000 V rated capacitor of minimum 4000 pF directly across the heater terminals.

PULSE CHARACTERISTICS AND DEFINITIONS

The smooth peak value (100 %) of a pulse is the maximum value of a smooth curve through the average of the fluctuation over the top portion of the pulse as shown below.

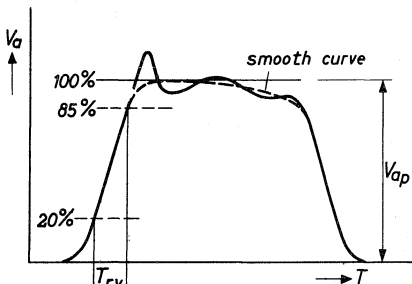


Fig.1
Voltage pulse

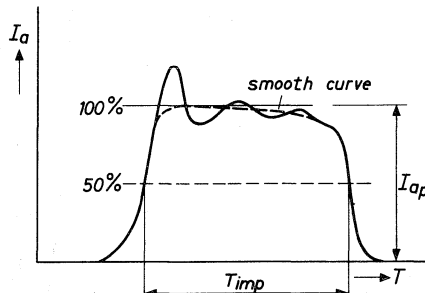


Fig.2
Current pulse

The voltage pulse rise time (T_{rv}) is defined as the time interval between points of 20 and 85% of the smooth peak value measured on the voltage pulse. Any capacitance used in a removable viewing system shall not exceed 6 pF.

The pulse duration (T_{imp}) is defined as the time interval between the two points on the current pulse at which the current is 50% of the smooth peak current.

PULSE CHARACTERISTICS AND DEFINITIONS (continued)

The current pulse must be sensibly square and the ripple over the top portion of the current pulse must be as small as possible to avoid unwanted frequency modulation due to pushing effects.

The spike on the top portion of the pulse must be small to avoid excessive peak pulse current. The leading edge of the pulse must be free from irregularities.

STORAGE, HANDLING

In storage a minimum distance of 15 cm (6 inches) should be maintained between the packaged magnetrons to prevent the decrease of field strength of the magnetron magnet due to interaction with adjacent magnets.

Magnetic materials should be kept away from the magnet a distance of at least 5 cm (2 inches) to avoid sharp mechanical shocks to the magnet.

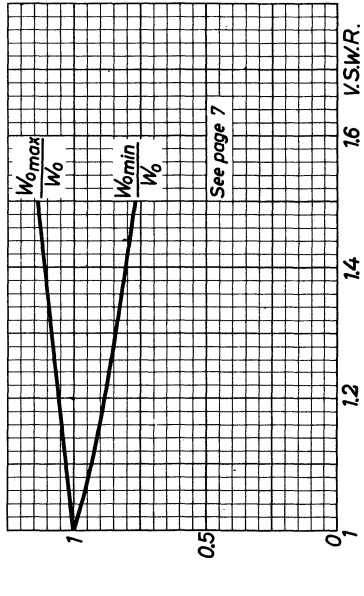
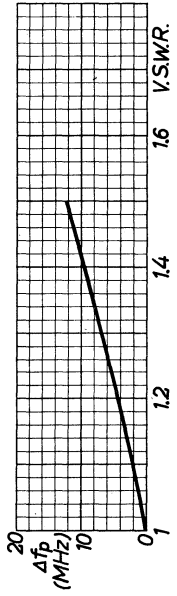
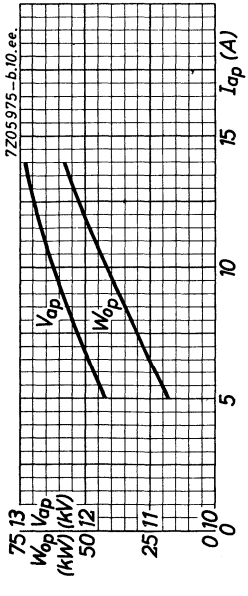
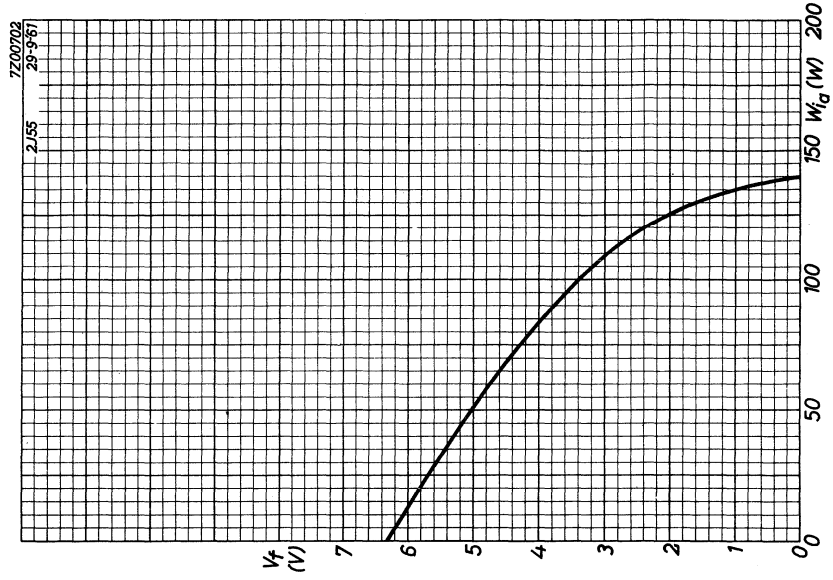
Note for page 8

The lower figure at page 8 shows the variation of W_o as a function of the voltage standing wave ratio for a typical tube.

$W_o \text{ max}$ = the output power at the phase adjusted for maximum power

$W_o \text{ min}$ = the output power at the phase adjusted for minimum power

W_o = the output power at $VSWR = 1$



PULSED MAGNETRON

Packaged magnetron for pulsed service at a fixed frequency

| QUICK REFERENCE DATA | | | |
|----------------------------------|----------|--------------|-----|
| Frequency, fixed within the band | f | 9345 to 9405 | MHz |
| Peak output power | W_{op} | 225 | kW |
| Construction | | packaged | |

HEATING: indirect

| | | | | |
|-----------------------------------|----------|---|--------|-----|
| Heater starting voltage | V_{fo} | = | 13.75 | V |
| Heater current at $V_f = 13.75$ V | I_f | = | 3.5 | A |
| Waiting time | T_w | = | min. 4 | min |

COOLING : Forced air

The heater voltage must be reduced immediately after the application of high voltage. Only when the average input power does not exceed 100 W the heater voltage need not be reduced. Above 100 W input power the required heater voltage can be calculated from the following equation:

$$V_f = 14 - 0.0125 W_i \text{ (} V_f \text{ in volts, } W_i \text{ in watts).}$$

The heater current must never exceed a peak value of 15 A at any time during the initial energising schedule.

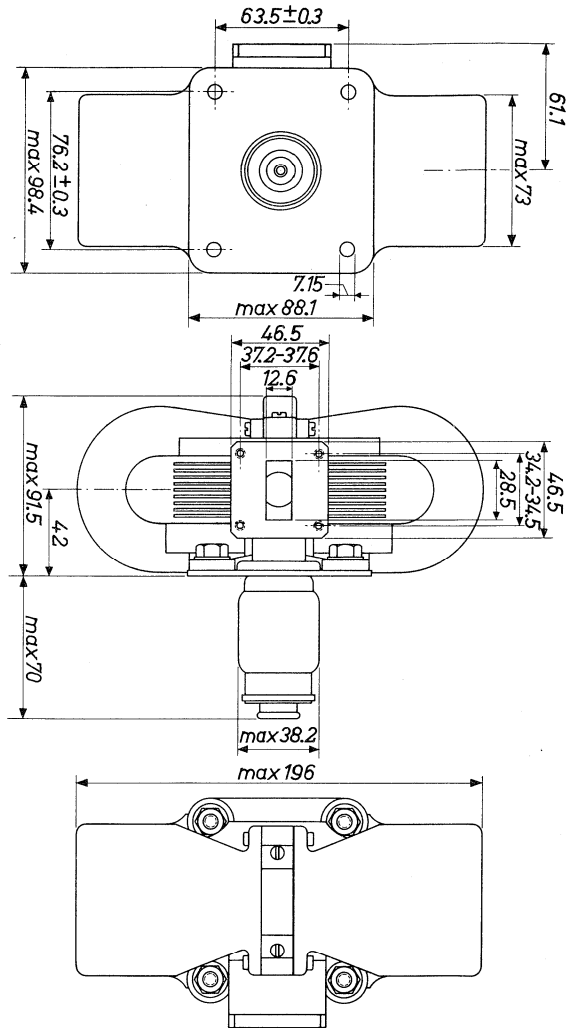
TYPICAL CHARACTERISTICS

| | | | | |
|--------------------|--------------|---|----|-----|
| Peak anode voltage | V_{ap} | < | 23 | kV |
| Pulling figure | Δf_p | < | 15 | MHz |

MECHANICAL DATA

Dimensions in mm

Net weight: 4800 g



Mounting position: any

Magnetron output: designed for coupling to the standard rectangular waveguide RG-51/U. For drawing of this waveguide see front of this section.

LIMITING VALUES (Absolute limits)

Each limiting value should be regarded independently of other values so that under no circumstances it is permitted to exceed a limiting value whichever.

| | | | |
|------------------------------|----------------------------------|--------------|-----------------|
| Heater starting voltage | V_{f_0} | = max. | 14 V |
| Rate of rise of voltage | $\frac{\Delta V}{\Delta T_{RV}}$ | = min. | 70 kV/ μ s |
| | | = max. | 110 kV/ μ s |
| Pulse repetition rate | f_{imp} | = min. | 175 Hz |
| Voltage standing wave ratio | V.S.W.R. | = max. | 1.5 |
| Anode block temperature | t_a | = max. | 150 °C |
| Cathode terminal temperature | t | = max. | 165 °C |
| Duty factor | δ | = | max.0.001 |
| | | | max.0.002 |
| Pulse duration ¹⁾ | T_{imp} | = 0.3 to 1.2 | max. 6 |
| | | | 0.3 to 1.2 |
| | | | max. 6 μ s |
| Peak anode current | I_{a_p} | = max. 27.5 | max. 18 |
| | | | max. 14.5 |
| | | | max. 9.5 A |
| Peak input power | W_{i_p} | = max. 635 | max. 380 |
| | | | max. 320 |
| | | | max. 190 kW |
| Average input power | W_i | = max. 635 | max. 380 |
| | | | max. 635 |
| | | | max. 380 W |

OPERATING CHARACTERISTICS

| | | | |
|-----------------------|-----------|---|---------------------|
| Heater voltage | V_f | = | 6.5 V ²⁾ |
| Peak anode voltage | V_{a_p} | = | 20 to 23 kV |
| Average anode current | I_a | = | 27.5 mA |
| Pulse repetition rate | f_{imp} | = | 1000 Hz |
| Pulse duration | T_{imp} | = | 1 μ s |
| Average output power | W_o | > | 225 W |
| Peak output power | W_{o_p} | > | 225 kW |
| Bandwidth | B | < | 3 MHz |

¹⁾ Averaging time 1 sec. The total time of operation in any 100 μ s interval should not exceed 6 μ s.

²⁾ The heater voltage must be reduced from 13.75 V to 6.5 V immediately after switching on the high voltage.

REMARK

If the magnetron has to operate at high power, it is necessary to pressurise the waveguide with an absolute pressure of 2.5 kg/cm^2 (35 lbs/sq. in.) to prevent arcing across the outside of the window.
Maximum absolute pressure 3.3 kg/cm^2 (47 lbs/sq. in.)

PULSED MAGNETRON

Air cooled packaged magnetron for pulsed service at a fixed frequency

| QUICK REFERENCE DATA | | | |
|----------------------------------|----------|--------------|-----|
| Frequency, fixed within the band | f | 9345 to 9405 | MHz |
| Peak output power | W_{Op} | 80 | kW |
| Construction | | packaged | |

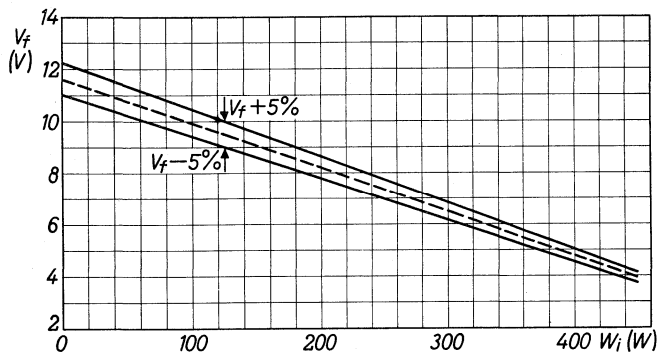
HEATING: indirect

| | | | | |
|----------------------------------|----------|---|---------------|-------------------|
| Heater starting voltage | V_{f0} | = | 12.6 V | $+10\%$
-5% |
| Heater current at $V_f = 12.6$ V | I_f | = | 2.2 ± 0.2 | A |
| Waiting time | T_w | = | min. 90 | s |

The heater current must never exceed a peak value of 10 A at any time during the initial energising schedule.

The heater voltage should be reduced immediately after the application of the anode power according to the formula underneath or to the broken line in the figure underneath. The heater voltage should be adjusted to within 5%. The contours of the 5% area are given by the full-drawn lines in the figure.

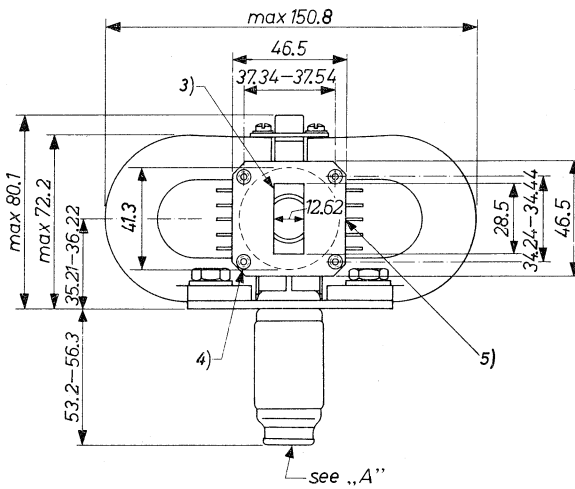
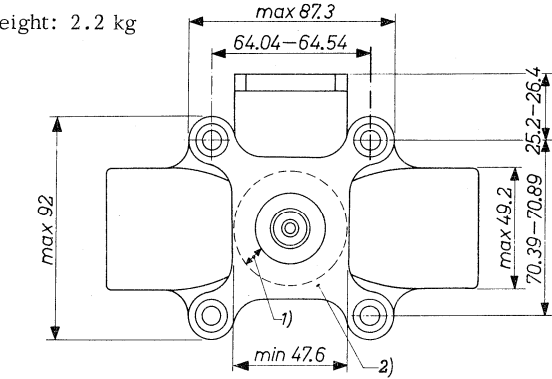
$$V_f = 11.6 - 0.017 W_i, \text{ where } W_i = \delta \cdot I_{ap} \cdot 15000$$



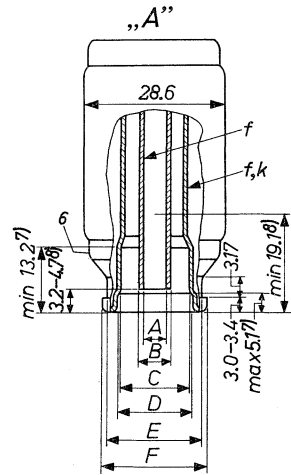
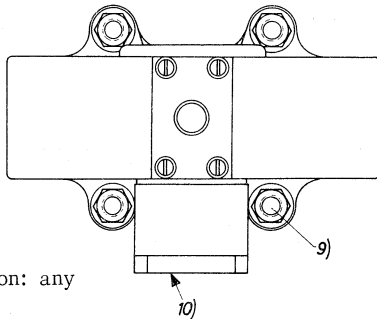
MECHANICAL DATA

Dimensions in mm

Net weight: 2.2 kg



| | |
|---|-------------|
| A | 4.17-4.41 |
| B | 6.0-6.7 |
| C | 13.52-13.84 |
| D | 15.5 |
| E | 19 |
| F | 20.96-21.28 |



Mounting position: any

1) to 10) See page 3

Magnetron output

The output has been designed for coupling to the standard rectangular waveguide RG-51/U. For drawing of this waveguide see front of this section.

To fasten the magnetron output flange to the RG-51/U waveguide, a choke flange type Z83 00 33 (British designation) or type UG-52A/U should be inserted between these parts. The choke flange should be modified by reaming the four mounting holes with a drill of 4.5 mm. The choke flange can then be fastened to the magnetron output flange by means of four size 8 - 32 bolts.

Phase of sink 0.26 to 0.40 λ_g

Using a standard cold test technique, the phase of sink as measured from the reference plane A in the outline drawing to the first minimum outside the tube is within the limits 0.26 to 0.40 λ_g , where λ_g is the wavelength of the waveguide.

Cooling

At an input power of 225 W and an air flow of 440 l/min (15.5 c.f.m.) at sea level the temperature rise of the anode block is 45 °C with respect to the temperature of the cooling air.

- 1) Hermetic connections can be made to this surface.
- 2) Mounting flange.
- 3) The opening in the waveguide must be protected by a dust cover when the magnetron is not in use.
- 4) Four holes .164 dia 32 NC-2B.
- 5) Point for anode block temperature measurement located near the output section where the central fin meets the anode block.
- 6) Point for measurement of the temperature of the cathode terminal.
- 7) These two dimensions define the extremities of the cylindrical section given by dimension C.
- 8) These two dimensions define the extremities of the cylindrical section given by dimension A.
- 9) Four holes 7.02 to 7.26 mm.
- 10) Reference plane A.

LIMITING VALUES (Absolute limits)

| | | | | |
|------------------------------------------------------|----------------------------------|---|-------------|---------------------------|
| Pulse duration | T_{imp} | = | max. | 5 μs |
| Duty factor | δ | = | max. | 0.003 |
| Heater starting voltage | V_{f_0} | = | max. | 14 V |
| Peak heater starting current | $I_{f_{surge}}$ | = | max. | 10 A ¹⁾ |
| Peak anode current | I_{ap} | = | max. | 16 A |
| Input power (= $\delta \times I_{ap} \times 15000$) | W_i | = | max. | 240 W |
| Rate of rise of voltage pulse ²⁾ | | | | |
| at pulse duration of 0.4 μs | $\frac{\Delta V}{\Delta T_{rV}}$ | = | min. | 120 kV/ μs |
| | | = | max. | 160 kV/ μs |
| at pulse duration of 1.0 μs | $\frac{\Delta V}{\Delta T_{rV}}$ | = | min. | 100 kV/ μs |
| | | = | max. | 150 kV/ μs |
| at pulse duration of 4.5 μs | $\frac{\Delta V}{\Delta T_{rV}}$ | = | min. | 70 kV/ μs |
| | | = | max. | 100 kV/ μs |
| Voltage standing wave ratio | VSWR | = | max. | 1.5 |
| Anode block temperature | t_a | = | -55 to +150 | $^{\circ}C$ ³⁾ |
| Temperature of cathode terminal | t | = | -55 to +175 | $^{\circ}C$ ³⁾ |
| Storage temperature | t | = | -55 to +85 | $^{\circ}C$ |

Operation at pressures lower than 50 cm Hg may result in arcover with consequent damage to the magnetron.

¹⁾ See section "Heating" page 1.

²⁾ See page 5.

³⁾ For points of temperature measurement on anode block and cathode terminal see notes 5) and 6) of the outline drawing.

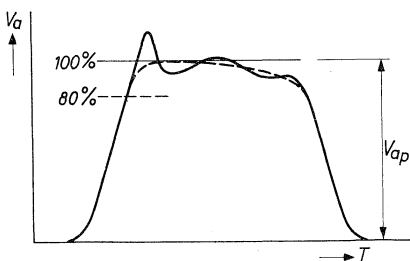
OPERATING CHARACTERISTICS

| | | | | | |
|-------------------------|------------------------------------|---|---------------|----------------|----------------|
| Frequency | f | = | 9375 ± 30 | -9375 ± 30 | MHz |
| Heater voltage | V_f | = | 1) | 1) | |
| Pulse duration | T_{imp} | = | 0.35 to 0.45 | 4 to 5 | μs |
| Duty factor | δ | = | 0.00065 | 0.001 | |
| Peak anode voltage | V_{ap} | = | 15 ± 1 | 15 ± 1 | kV |
| Rate of rise of voltage | $\frac{\Delta V_a}{\Delta T_{rv}}$ | = | 140 | 85 | kV/ μs 2) |
| Peak anode current | I_{ap} | = | 15 | 15 | A |
| Average output power | W_o | = | 50 | 80 | W |
| Peak output power | W_{op} | = | 80 | 80 | kW |

The manufacturer should be consulted whenever it is considered to operate the magnetron at conditions substantially different from those given above.

1) See section "Heating" page 1.

2) The rate of rise of anode voltage ($\frac{\Delta V_a}{\Delta T_{rv}}$) is defined by the steepest tangent to the leading edge of the voltage pulse above 80% of the smooth peak value. Any capacitance used in the viewing system shall not exceed 6 pF. For calculation of the rate of rise of voltage the 100% value must be taken as 15 kV. (The smooth peak value of a pulse is the maximum value of a smooth curve through the average of the fluctuation over the top portion of the pulse as shown by the dotted curve in the figure below.)



OPERATING NOTES

PRESSURIZING

The mounting flange and the input and output assemblies permit applications at which pressurizing of the magnetron is required. The pressure can be maintained at a value of max. 3.1 kg/cm^2 (45 lbs/sq.in.)

LIFE

The magnetron life depends on the operating conditions and is expected to be longer at shorter pulse lengths.

STARTING A NEW MAGNETRON

This magnetron is provided with a getter. Owing to this, ageing of a new magnetron or of a magnetron that has been idle or stored for a period of time, will not be necessary in many cases. If, however, the magnetron is taken into operation and some sparking and instability occur incidentally, it is recommended to raise gradually the anode voltage and to operate the magnetron with reduced input during 15 to 30 minutes. After this period sparking usually ceases.

CIRCUIT NOTES

- a. The negative high voltage pulse should be applied to the common cathode-heater terminal. Otherwise, when applying the pulse to the other heater terminal, the heater will carry the total anode current and may burn out.
- b. If no load isolator is inserted between the magnetron and the transmission line, the latter should be as short as possible to prevent long line effects. Under no circumstances should the magnetron be operated with a voltage standing wave ratio of the load exceeding 1.5. A ratio kept near unity will benefit tube life and reliability.
- c. The modulator must be so designed that, if arcing occurs, the energy per pulse delivered to the magnetron does not considerably exceed the normal energy per pulse. Modulators of the pulse forming network discharge type usually satisfy this requirement.
- d. It is required to bypass the magnetron heater with a 1000 V rated capacitor of minimum 4000 pF directly across the heater terminals.
- e. The pulse current ripple, the maximum deviation from the smooth peak current over the top portion of the pulse must be kept as small as possible to avoid unwanted pushing effects. The current pulse must be sensibly square to prevent frequency modulation and must be free from irregularities on the leading edge of the pulse. The spike on the top portion of the pulse must be small. Otherwise the peak pulse current will be large and life of the magnetron will be impaired.

CIRCUIT NOTES (continued)

- f. Many magnetrons carry a certain amount of diode current at voltages in the order of 100 V. Consequently, the anode current of the magnetron contains two components, namely one which builds up the R.F. field of the tube and the other, i.e. the diode current, which contributes to the heating of the anode only. To keep the diode current as low as possible, a short rise and decay time of the voltage pulse is required. The cathode, moreover, should be prevented from becoming negative again with respect to the anode during the backswing of the voltage pulse. If the above mentioned provisions are not made, the diode current can amount to ten percent or more of the total average current and this could lead to a false conclusion with regard to the actual peak anode current. Below a certain limit the diode current will not impair the proper functioning of the magnetron.

STORAGE, HANDLING

In handling the magnetron, it should never be held by the cathode assembly. Rough treatment of the metal envelope and of the cooling fins may impair the electrical characteristics or may result in loss of vacuum. In storage a minimum distance of 15 cm (6") should be maintained between the packaged magnetrons to prevent the decrease of field strength of the magnetron magnet due to the interaction with adjacent magnets. Magnetic materials should be kept away from the magnet a distance of at least 5 cm (2") to avoid sharp mechanical shocks to the magnet. For this reason it is required to use non-magnetic tools during installation.

The opening in the waveguide output flange shall be protected by a dust cover when the magnetron is not in use. Care should be taken, moreover, to prevent any foreign matter or corrosive substances from entering the cathode terminal.

PULSED MAGNETRON

Air-cooled unpackaged tunable magnetron for pulsed service.

| QUICK REFERENCE DATA | | | |
|------------------------------------|----------|--------------|-----|
| Frequency, tunable within the band | f | 1220 to 1350 | MHz |
| Peak output power | W_{op} | 450 | kW |
| Construction | | unpackaged | |

HEATING: indirect

| | | | |
|----------------------------------|------------|------------|----------------|
| Heater starting voltage | $V_{fo} =$ | 23.5 V | +10 %
- 5 % |
| Heater current at $V_f = 23.5$ V | $I_f =$ | 2.2 A | |
| Cathode heating time | $T_w =$ | min. 3 min | |

For M.T.I. application it is advised to feed the heater with D.C. voltage.

Immediately after the high voltage has been applied the heater voltage must be reduced in accordance with the formula: $V_f = 23.5 (1 - \frac{I_a}{140})$ V,

where I_a is the mean anode current in mA.

This formula is only valid for the magnetron when used with a magnetic field strength of 1400 oersted.

TYPICAL CHARACTERISTICS

| | | | |
|-----------------------------------------------------------------------------------|-------------------------------|--------------|------------|
| Frequency | f = | 1220 to 1350 | MHz |
| Pulling figure | $\Delta f_p <$ | 5 | MHz |
| Peak anode voltage at $I_{ap} = 46$ A
and magnetic field strength = 1400 gauss | $V_{ap} =$ | 26.5 to 31.5 | kV |
| Temperature coefficient | $\frac{\Delta f}{\Delta t} <$ | 0.03 | MHz per °C |

MECHANICAL DATA

Dimensions in mm

Mounting position: any

Accessories

Net weight : 9000 g

Magnet type 55302
(see page 5)

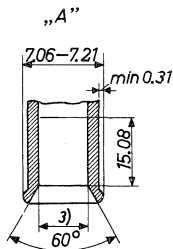
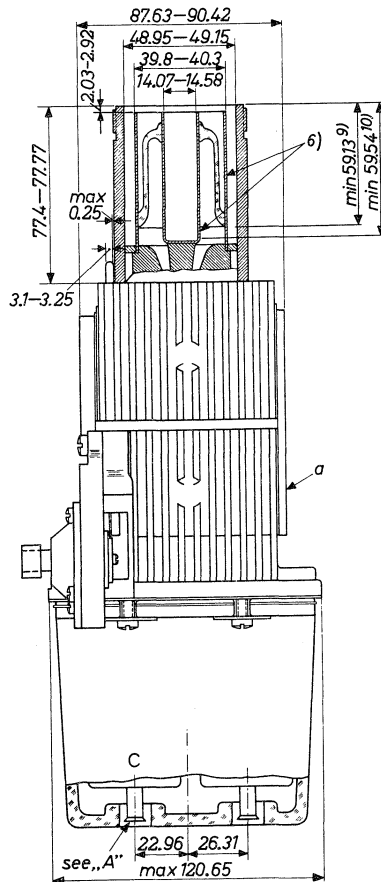
The magnetron output has been designed for coupling to a standard coaxial transmission line with an outer diameter of 1 5/8".

COOLING

An adequate air flow should be directed along the cooling fins on the magnetron in order to keep the anode temperature preferably below 100 °C

PRESSURE

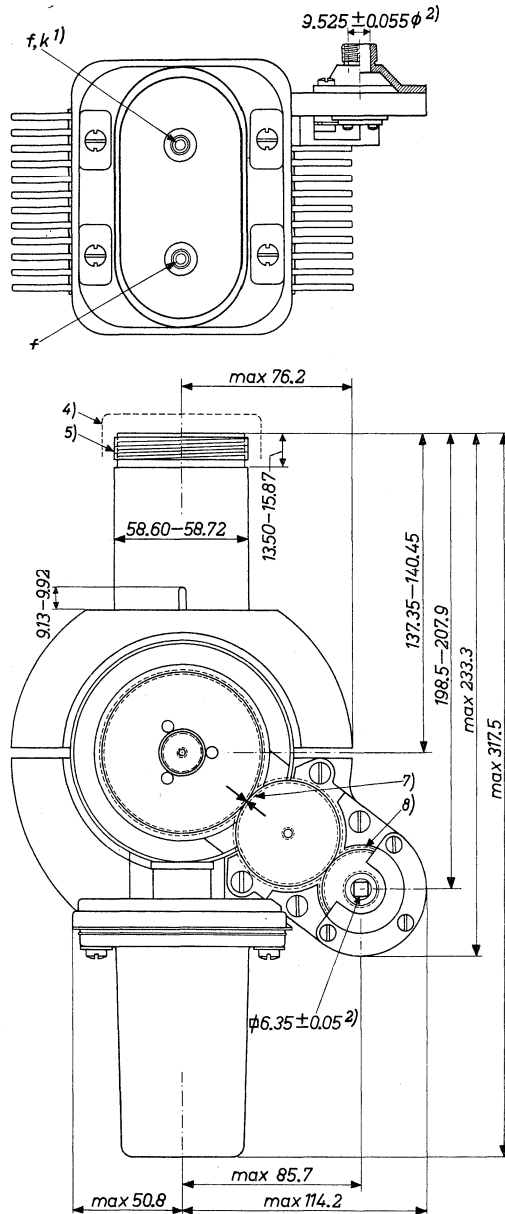
To prevent electrical breakdown of the coaxial transmission line which can result in permanent damage to the magnetron, it is essential to pressurize this line for peak output powers greater than 400 kW. (max. 3.2 atm)



For footnotes see page 5.

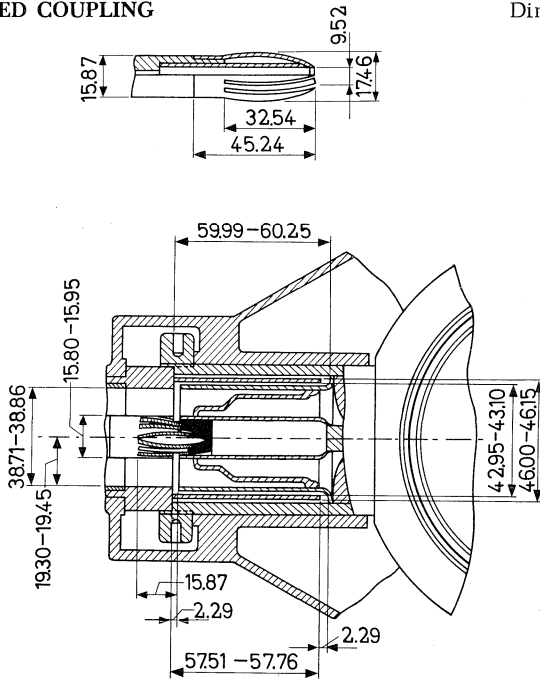
MECHANICAL DATA (continued)

Dimensions in mm



RECOMMENDED COUPLING

Dimensions in mm



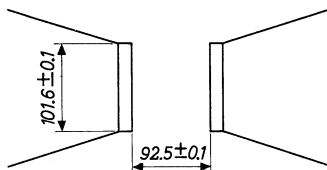
The dimensioned cylindrical surfaces shall be concentric within 0.076 mm

The connector should be constructed to require a force of between 2.7 and 5.5 kg to engage with the tube. Connectors constructed of 0.015" thick half hard beryllium copper strip (A.S.T.M. B-120 1/2H), having 12 segments separated by 1/32" sawcuts, have been found to meet this requirement.

MAGNET

The magnet's north-seeking pole should be located near the side of the magnetron which is provided with the tuning mechanism.

It is recommended to use circular pole tips for the magnet, with dimensions (in mm) as shown.



A typical value for the magnetic field between the pole tips is 1400 oersted. The tube should be located between the pole tips such that these are concentric with the axis of the tube. A small deviation from this position may result in lower output power.

- 1) The common cathode heater terminal is located at the side of the magnetron which is provided with the tuning mechanism. It is, moreover, indicated by the inscription C on the glass boot which protects the heater lead-outs.
- 2) The round hole is concentric with the square hole within 0.076 mm.
- 3) Jack holes 4.3 ± 0.13 mm, deep min. 15 mm, not including the tapered section.
- 4) The opening in the support tubing should be protected by a dust cover when the magnetron is not in use.
- 5) Thread specification: 2.312"-16NS-5 full threads min.

| | |
|------------------------------|------------------------------|
| Max. major diameter 58.75 mm | Min. major diameter 58.37 mm |
| Max. pitch diameter 57.69 mm | Min. pitch diameter 57.48 mm |
| | Min. minor diameter 56.78 mm |
- 6) Output coaxial lead
- 7) Matched arrows on tuning gears indicate approximate midband frequencies.
- 8) This gear rotates clockwise when increasing frequency. The maximum torque to be applied to the driving gearwheel for tuning the magnetron does not exceed 9.2 cm kg (8 inch pounds). A mechanical stop is placed at either end of the tuning range to prevent damage to the tuning mechanism. Adjustment of the tuning mechanism beyond the stated frequency limits must not be attempted.
- 9) Depth of inside of outer conductor.
- 10) Depth of inner conductor.

LIMITING VALUES (Absolute limits)

Each limiting value should be regarded independently of other values, so that under no circumstances it is permitted to exceed a limiting value whichever.

| | | | |
|-----------------------------|----------------------|--------|-----------------|
| Heater starting voltage | V_{f0} | = max. | 26 V |
| Peak heater surge current | $I_{f\text{surge}p}$ | = max. | 4 A |
| Peak anode voltage | V_{ap} | = max. | 34 kV |
| Peak anode current | I_{ap} | = max. | 55 A |
| Duty factor | δ | = max. | 0.0025 |
| Pulse repetition rate | f_{imp} | = max. | 1000 Hz |
| Pulse duration | T_{imp} | = | 1 to 6 μs |
| Voltage rise time | | | |
| at $T_{imp} = 1 \mu s$ | T_{RV} | = min. | 0.3 μs |
| at $T_{imp} = 4 \mu s$ | T_{RV} | = min. | 0.5 μs |
| Peak input power | W_{ip} | = max. | 1725 kW |
| Average input power | W_i | = max. | 1725 W |
| Voltage standing wave ratio | VSWR | = max. | 1.5 |
| Anode temperature | t_a | = max. | 125 $^{\circ}C$ |

OPERATING CHARACTERISTICS

| | | | |
|-------------------------|-----------|---|------------------|
| Frequency | f | = | 1220 to 1350 MHz |
| Pulse duration | T_{imp} | = | 1 μs |
| Pulse repetition rate | f_{imp} | = | 1000 Hz |
| Duty factor | δ | = | 0.001 |
| Heater voltage | V_f | = | 15.5 V |
| Magnetic field strength | H | = | 1400 Oe |
| Peak anode voltage | V_{ap} | = | 28 kV |
| Peak anode current | I_{ap} | = | 46 A |
| Average output power | W_o | = | 450 W |
| Peak output power | W_{Op} | = | 450 kW |

OPERATING NOTES

- a. In order to prevent heater burn-out the negative high-voltage pulse must be applied to the common cathode-heater terminal.
- b. The transmission line should be as short as possible to prevent long line effects, especially when the line is not matched. Under no circumstances should the magnetron be operated with a V.S.W.R. of the load exceeding 1.5. A ratio kept near unity will benefit tube life and reliability.
- c. The modulator must be so designed that, if arcing occurs, the energy per pulse delivered to the magnetron does not considerably exceed the normal energy per pulse. Modulators of the pulse forming network discharge type usually satisfy this requirement.
- d. It is required to bypass the magnetron heater with a 1000 V rated capacitor of min. 4000 pF directly across the heater terminals.
- e. The unwanted noise that may occur when the anode pulse voltage drops below the value required for oscillation can be minimized by making the trailing edge of the voltage pulse as steep as possible and by removing residual negative and positive anode voltage immediately after the pulse.

PULSE CHARACTERISTICS

The current pulse must be substantially square and the ripple over the top portion of the current pulse must be kept as small as possible to avoid unwanted frequency modulation due to pushing effects. The spike on the top portion of the pulse must be small to avoid excessive peak pulse current. The leading edge of the pulse must be free from irregularities.

STARTING A NEW MAGNETRON

When a new magnetron, or a magnetron that has been idle or stored for a period of time, is taken into operation, some sparking and instability may occur. In that case it is recommended to start the magnetron in the following way:

1. Tune the magnetron to the higher frequency limit. Clockwise rotation of the driving gearwheel of the tuning mechanism results in higher magnetron frequency.
2. Apply heater voltage (23.5 V).
3. After a warming up time of three minutes at full heater voltage, raise anode voltage gradually (preferably at the shortest pulse duration) until one half of normal operating power is obtained. The heater voltage must be reduced in accordance with the heater voltage cutback schedule.

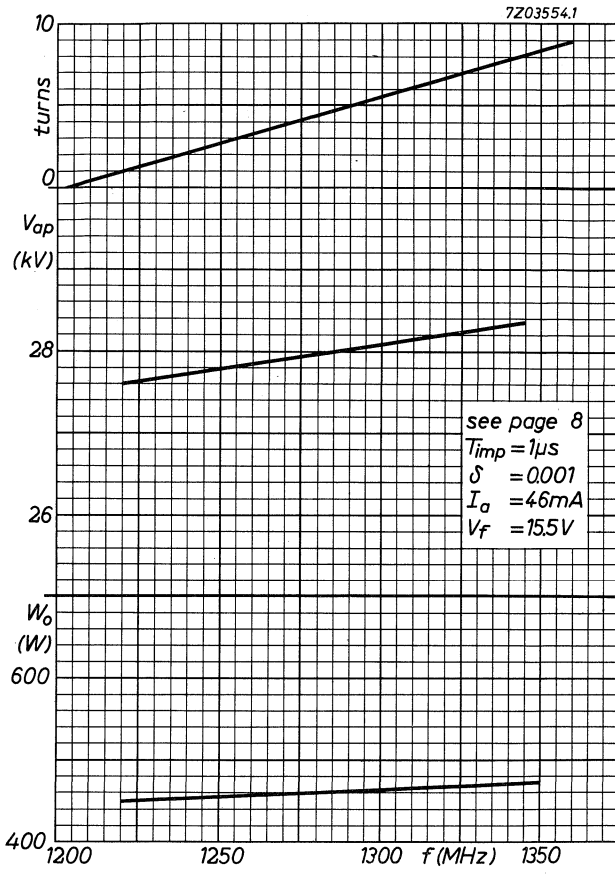
STARTING A NEW MAGNETRON(continued)

4. As soon as the magnetron operates stably, gradually raise the anode current until the normal operating conditions are reached. If sparking occurs stop raising anode current until the magnetron operates stably again. Care should be taken that the maximum ratings are not exceeded.
5. When stable operation at this frequency is reached, the magnetron should be gradually tuned to the lower frequency limit (1220 MHz). Operation at this frequency must be continued until the magnetron operates stably.

After this running-in schedule the magnetron can be put into use at the normal operating conditions.

DIAGRAM

Page 9 shows the tuning characteristics of an average magnetron 5J26. The number of (clockwise) turns of the driving gear is given as a function of the frequency. Moreover, the variation of the peak anode voltage and the average output power over the tuning range of the magnetron can be read off.



PULSED MAGNETRON

Air-cooled unpackaged magnetron for pulsed service at a fixed frequency.

| QUICK REFERENCE DATA | | | |
|----------------------------------|----------|--------------|-----|
| Frequency, fixed within the band | f | 9345 to 9405 | MHz |
| Peak output power | W_{Op} | 50 | kW |
| Construction | | unpackaged | |

HEATING: indirect

Heater starting voltage $V_{f0} = 6.3$ V

Heater current at $V_f = 6.3$ V $I_f = 1$ A

Waiting time $T_w = \text{min. } 2$ min

For average input powers greater than 145 W the heater voltage should be switched off immediately after applying high voltage, except when the magnetron operates at a pulse repetition rate of 500 Hz or less. In that case the heater voltage should never be reduced below 1.5 V.

For input powers less than 145 W the heater voltage must be reduced in accordance with the formula

$$V_f = 6.3 \sqrt{1 - \frac{W_i}{145}} \quad (W_i \text{ in watts}).$$

LIMITING VALUES (Absolute limits)

Each limiting value should be regarded independently of other values, so that under no circumstances it is permitted to exceed a limiting value whichever

| | | | | |
|-----------------------------|-----------|--------|--------|-----------------------|
| Heater starting voltage | V_{f0} | = max. | 6.9 | V |
| Peak anode voltage | V_{ap} | = max. | 16 | kV |
| Peak anode current | I_{ap} | = max. | 16 | A |
| Average anode input power | W_i | = max. | 180 | W |
| Peak anode input power | W_{ip} | = max. | 230 | kW |
| Duty factor | δ | = max. | 0.0012 | |
| Pulse duration | T_{imp} | = max. | 2.5 | μs |
| Voltage standing wave ratio | VSWR | = max. | 1.5 | |
| Anode temperature | t_a | = max. | 100 | $^{\circ}\text{C}^1)$ |

¹⁾ For short periods $t_a = \text{max. } 150$ $^{\circ}\text{C}$

OPERATING CHARACTERISTICS

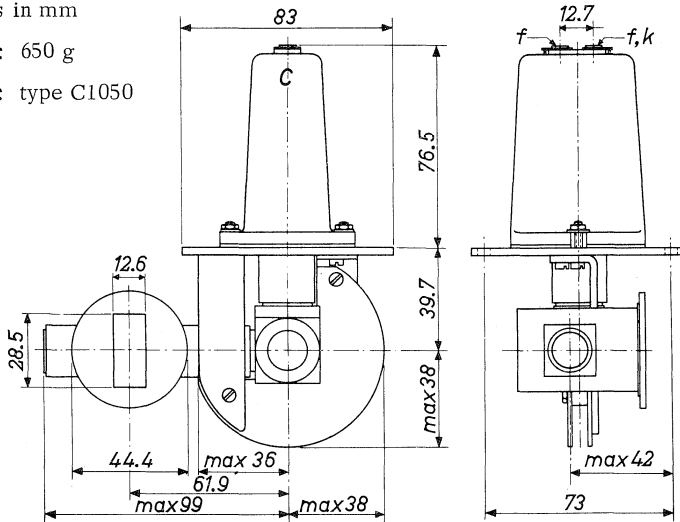
| | | | | |
|-------------------------|-----------|---|------|-----------------|
| Magnetic field strength | H | = | 5400 | G |
| Heater starting voltage | V_{f0} | = | 6.3 | V ¹⁾ |
| Peak anode current | I_{ap} | = | 12 | A |
| Peak anode voltage | V_{ap} | = | 12 | kV |
| Pulse repetition rate | f_{imp} | = | 1000 | Hz |
| Pulse duration | T_{imp} | = | 1 | μ s |
| Average output power | W_o | = | 50 | W |
| Peak output power | W_{op} | = | 50 | kW |
| Bandwidth | B | < | 3 | MHz |

MECHANICAL DATA

Dimensions in mm

Net weight : 650 g

Magnet : type C1050



Mounting position: any

Magnetron output. Designed for coupling to standard rectangular waveguide RG-51/U. For drawing of this waveguide see front of this section.

¹⁾ See section "Heating"

PULSED MAGNETRON

Forced air-cooled unpackaged tunable magnetron for pulsed service.

| QUICK REFERENCE DATA | | |
|------------------------------------|----------|------------------|
| Frequency, tunable within the band | f | 2700 to 2900 MHz |
| Peak output power | W_{op} | 800 kW |
| Construction | | unpackaged |

The magnetron is used with a $1\frac{5}{8}$ " coaxial output transmission line and an external magnet having an air gap of 1.8" and a magnetic field strength of 2700 oerstedt.

HEATING: indirect

| | | | |
|----------------------------------|-----------|---|--------------|
| Heater starting voltage | V_{f_0} | = | 16.0 V +10 % |
| Heater current at $V_f = 16.0$ V | I_f | = | 2.8 to 3.4 A |
| Waiting time | T_w | = | min. 2 min |

During high voltage operation the heater voltage must be reduced according to the following schedule:

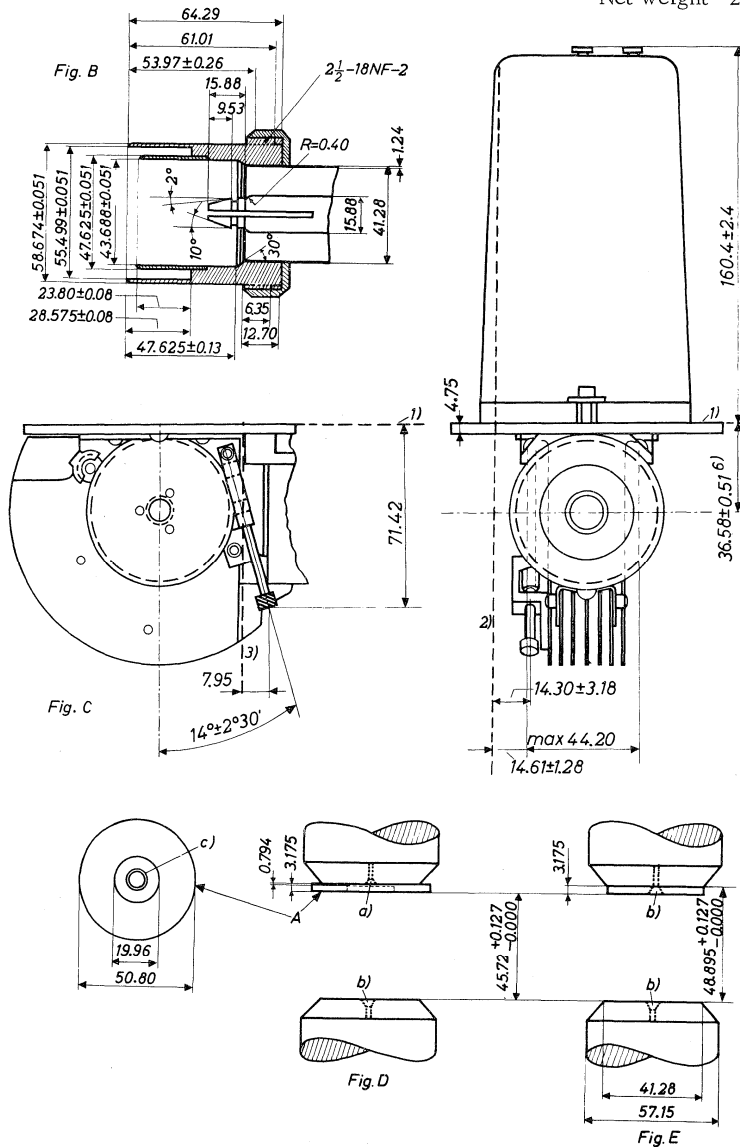
| W_{ia} (W) | V_f (V) |
|--------------|-----------|
| < 400 | 16 |
| 400 to 600 | 15 |
| 600 to 800 | 13 |
| 800 to 1000 | 10.5 |
| 1000 to 1200 | 8 |

This schedule is valid only for repetition rates of 300 or more pulses per second

MECHANICAL DATA

Dimensions in mm

Net weight 2.3 kg



See also page 4

MECHANICAL DATA (continued)

Mounting position: any

The tube may be supported by the mounting plate or by the guard pipe.

The output of the tube can be maintained at a pressure of 2.8 to 3.1 kg/cm² (40 to 45 lbs/sq.in.). The input flange can also be pressurized.

The tuning mechanism will provide the full range of tuning with 110 complete revolutions of the tuning spindle.

From page 2.

- Fig.B : Test coupling, not furnished with the tube
 Fig.C : Optional location of the tuning spindle
 Fig.D and E : Magnetic field calibrators
 Fig.D : Magnet with distortion pole piece
 Fig.E : Magnet with single conventional pole piece
 A = cold rolled steel insert
 a) = 10-32 flat head brass screw
 b) = 10-32 flat head steel screw
 c) = 5/16 hole countersunk

For the calibration procedure of the magnetic field please communicate with the manufacturer.

- 1) Reference plane A
- 2) Reference plane B
- 3) Reference plane C
- 4) This annular area is flat within 0.4 mm. A thickness gauge 3.175 mm wide will not enter more than 6.35 mm.
- 5) The periphery of the anode lies within a 54.87 mm diameter circle located as specified for the non tunable side of the anode.
- 6) Applies to the location of the centre line of the guard pipe only.
- 7) The centre line of max. diameter is concentric with the centre line of the guard pipe to within 1.02 mm.
- 8) Applies to the inner conductor insert only. The centre line of the inner conductor insert is concentric with the centre line of the guard pipe to within 0.64 mm.
- 9) Applies to the straight portion of the inner conductor wall.
- 10) The centres of the jack holes are within a radius of 2.54 mm of the location specified, but are spaced 20.24 ± 0.39 mm with respect to each other.
- 11) Hex locking head banana pin jack 15 mm long hole, 4.29 ± 0.13 mm diameter. The common heater-cathode connection is marked with the letter C.
- 12) Protective guard for shipping purposes.

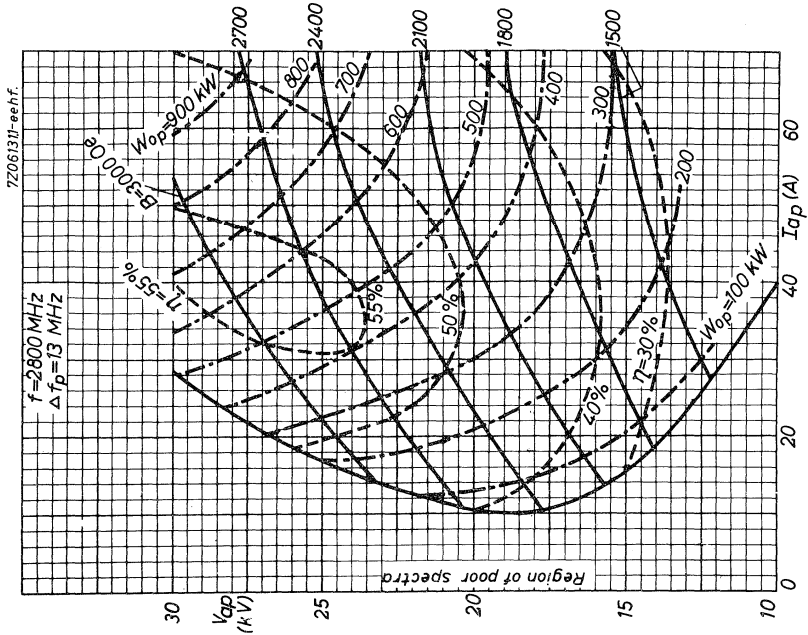
LIMITING VALUES (Absolute limits)

| | | | | | |
|---------------------------|-----------|---|------|-------|-------------|
| Peak anode current | I_{ap} | = | max. | 70 | A |
| Peak anode voltage | V_{ap} | = | max. | 30 | kV |
| Average anode input power | W_{ia} | = | max. | 1200 | W |
| Peak anode input power | W_{iap} | = | max. | 2000 | kW |
| Duty factor | δ | = | max. | 0.001 | |
| Pulse duration | T_{imp} | = | max. | 2.5 | μs |
| Heater starting voltage | V_{fo} | = | max. | 17.6 | V |
| Anode temperature | t_a | = | max. | 100 | $^{\circ}C$ |

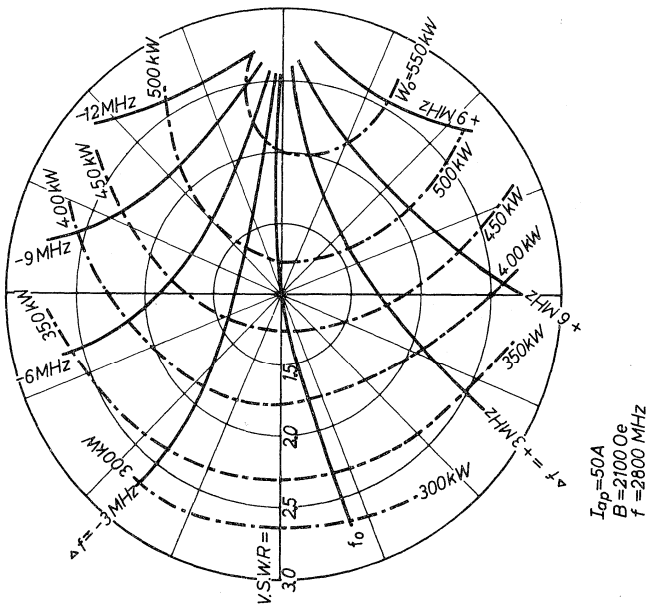
OPERATING CHARACTERISTICS

| | | | | |
|-------------------------|--------------|---|------------|---------|
| Frequency | f | = | 2.7 to 2.9 | GHz |
| Peak anode current | I_{ap} | = | 70 | A |
| Average anode current | I_a | = | 35 | mA |
| Peak anode voltage | V_{ap} | = | 27 to 30 | kV |
| Pulse duration | T_{imp} | = | 1 | μs |
| Duty factor | δ | = | 0.0005 | |
| Magnetic field strength | H | = | 2700 | G |
| Average output power | W_o | = | 400 | W |
| Peak output power | W_{op} | = | 800 | kW |
| Bandwidth | B | < | 2.5 | MHz |
| Pulling figure | Δf_p | < | 15 | MHz |

The manufacturer should be consulted whenever it is considered to operate the magnetron at conditions substantially different from those given above.



72003341
 5586 28-9-60



PULSED MAGNETRON

Forced air cooled packaged magnetron designed for very stable short pulse operation at pulse durations of 0.1 to 1 μ s.

| QUICK REFERENCE DATA | | | |
|----------------------------------|----------|--------------|-----|
| Frequency, fixed within the band | f | 9345 to 9405 | MHz |
| Peak output power | W_{op} | 80 | kW |
| Construction | | packaged | |

HEATING: indirect

| | | | | |
|-------------------------------------|----------|---|---------------------------------------------|----------|
| Heater starting voltage | V_{f0} | = | 10 $\begin{matrix} +1 \\ -0.5 \end{matrix}$ | V |
| Heater current at $V_f = 10$ V | I_f | = | 3.25 ± 0.35 | A |
| Heater resistance in cold condition | R_{f0} | = | 0.40 | Ω |
| Waiting time | T_w | = | min. 3 | min |

The heater current must never exceed a peak value of 11.5A at any time during the initial energizing schedule.

For $W_{ia} > 50$ W it is necessary to reduce the heater voltage immediately after applying high voltage in accordance with the formula

$$V_f = 10.7 - 0.0143 W_{ia}$$

where $W_{ia} = \delta \times I_{ap} \times 15000$. See also lower fig. page 8.

TYPICAL CHARACTERISTICS

| | | | | |
|------------------------------------------------------------------------------------------------------|----------------------------------|---|-------------|-------------------|
| Anode to cathode capacitance | C_{ak} | < | 12 | pF |
| Pulling figure at VSWR = 1.5 | Δf_p | = | 10 < 15 | MHz |
| Pushing figure (see upper fig. page 8) | $\frac{\Delta f}{\Delta I_{ap}}$ | = | 0.5 | MHz/A |
| Negative temperature coefficient | $-\frac{\Delta f}{\Delta t}$ | = | 0.17 < 0.25 | MHz/ $^{\circ}$ C |
| Peak anode current in stable range | I_{ap} | = | 10 to 18 | A |
| Distance of voltage standing wave minimum from reference plane A toward load (see lower fig. page 7) | d | = | 7.5 ± 3 | mm |

MECHANICAL DATA (continued)

Mounting position: arbitrary

ACCESSORIES

Cathode connector with built-in capacitor 55308

COOLING

See page 9. Under normal conditions no additional cooling is required for the input terminals.

LIMITING VALUES

Each limiting value should be regarded independently of other values, so that under no circumstances it is permitted to exceed a limiting value whichever.

| | | | |
|---------------------------------------------|------------------------------------|--------|----------------------|
| Pulse duration | T_{imp} | = max. | 5.5 μ s |
| Duty factor | δ | = max. | 0.002 |
| Heater starting voltage | V_{f0} | = max. | 11 V |
| Peak heater starting current | $I_{f surge p}$ | = max. | 11.5 A |
| Peak anode current | I_{ap} | = max. | 18 A |
| Anode input power | W_{ia} | = max. | 400 W |
| Rate of rise of anode voltage ⁶⁾ | | | |
| at $T_{imp} = 0.1 \mu$ s | $\frac{\Delta V_a}{\Delta T_{rv}}$ | = max. | 150 kV/ μ s |
| at $T_{imp} = 1$ to 5μ s | $\frac{\Delta V_a}{\Delta T_{rv}}$ | = max. | 80 kV/ μ s |
| Voltage standing wave ratio | VSWR | = max. | 1.5 |
| Anode block temperature | t_a | = max. | 175 °C ⁷⁾ |
| Seal temperature | t_s | = max. | 150 °C |

Page 2

1) Reference plane 1

2) Reference plane 2

3) Reference plane 3

4) Reference plane A (See also lower fig. page 7)

5) Hermetic connections can be made to this surface

6) See definitions page 6

7) To be measured on the anode block between the centre cooling fin and the adjacent fin.

OPERATING CHARACTERISTICS

| | | | | | |
|-------------------------------|------------------------------------|---|------------------|-----------------------|---------------------------------------|
| Frequency | f | = | 9375 ± 30 | 9375 ± 30 | MHz |
| Heater voltage | V_f | = | 10 | 7.5 ¹⁾ | V |
| Pulse duration | T_{imp} | = | $0.1 (\pm 20\%)$ | 1 to 5 ($\pm 10\%$) | μsec |
| Duty factor | δ | = | 0.0002 | 0.001 | |
| Peak anode voltage | V_{ap} | = | 15 ± 1 | 15 ± 1 | kV |
| Rate of rise of anode voltage | $\frac{\Delta V_a}{\Delta T_{rv}}$ | = | 140 | 70 | $\text{kV}/\mu\text{s}$ ²⁾ |
| Peak anode current | I_{ap} | = | 15 | 15 | A |
| Average output power | W_o | = | 16 | 80 | W |
| Peak output power | W_{op} | = | 80 | 80 | kW |

The manufacturer should be consulted whenever it is considered to operate the magnetron at conditions substantially different from those indicated.

MOUNTING

To fasten the magnetron output flange to the RG-52/U waveguide, a choke flange type I.S. Z830051 (British designation) or type UG-40/U should be inserted between these parts. This choke flange should be modified to fit the magnetron output flange. This is accomplished by reaming the four mounting holes in the above choke flange with a drill of 4.5 mm. The choke flange can then be fastened to the magnetron output flange by means of four 8-32 NC bolts.

Mounting of the magnetron should be accomplished by means of its mounting flange. The tube should in no case be supported by the coupling to the waveguide output flange alone.

It is required to use non-magnetic tools during installation.

The opening in the output flange should be kept closed by the dust cover until the tube is mounted into the equipment.

Before putting the magnetron into operation, the user should make sure that the output waveguide is entirely clean and free from dust and moisture

1) See lower fig. page 8

2) See definitions page 6

PRESSURE

The magnetron need not be pressurized when operating at atmospheric pressure.

Operation at pressures lower than 60 cm of Hg may result in arcover with consequent damage to the tube.

The mounting flange and also the waveguide output flange are made so that the magnetron can be used in applications requiring a pressure seal. They can be maintained at a pressure up to 3.1 kg/cm^2 (45 lbs/sq. in.).

LIFE

Magnetron life depends on the operating conditions and is expected to be longer at shorter pulse lengths.

STARTING A NEW MAGNETRON

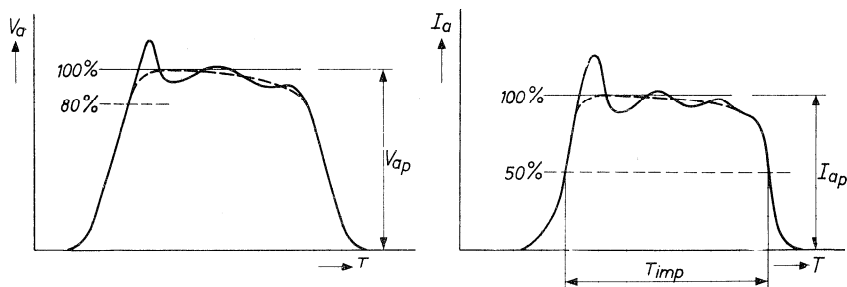
The magnetron is provided with a getter. Owing to this ageing of a new magnetron that has been idle or stored for a period of time, will not be necessary in many cases. If, however, the magnetron is taken into operation and some sparking and instability occur incidentally it is recommended to raise gradually the anode voltage-starting at low values- and to operate the magnetron with reduced input during 15 to 30 minutes. After this period sparking usually ceases.

CIRCUIT NOTES

- a. The negative high voltage pulse should be applied to the common cathode-heater terminal.
- b. If no load isolator is inserted between the magnetron and the transmission line, the latter should be as short as possible to prevent long-line effects. Under no circumstances should the magnetron be operated with a voltage standing wave ratio of the load exceeding 1.5. A ratio kept near unity will benefit tube life and reliability.
- c. The modulator must be so designed that, if arcing occurs, the energy per pulse delivered to the magnetron does not considerably exceed the normal energy per pulse.
- d. In order to prevent diode current from flowing during the interval between two pulses and to minimize unwanted noise during the region of the voltage pulse where the anode voltage has dropped below the value required to sustain oscillation, the trailing edge of the voltage pulse should be as steep as possible and the anode voltage should be prevented from becoming positive at any time in the interval between two pulses.
- e. It is required to bypass the magnetron heater with a 1000 V rated capacitor of minimum 3500 pF across the heater terminals. The heater-cathode connector 55308 is recommended.

PULSE CHARACTERISTICS AND DEFINITIONS

The smooth peak value (100%) of a pulse is the maximum value of a smooth curve through the average of the fluctuation over the top portion of the pulse as shown below



The rate of rise of anode voltage ($\frac{\Delta V}{\Delta T_{rV}}$) is defined by the steepest tangent to the leading edge of the voltage pulse above 80% of the smooth peak value. Any capacitance used in a viewing system shall not exceed 6 pF. For calculation of the rate of rise of anode voltage the 100% value must be taken as 15 kV.

The pulse duration (T_{imp}) is defined as the time interval between the two points on the current pulse at which the current is 50% of the smooth peak current.

The current pulse must be sensibly square and the ripple over the top portion of the current pulse must be as small as possible to avoid unwanted frequency modulation due to pushing effects.

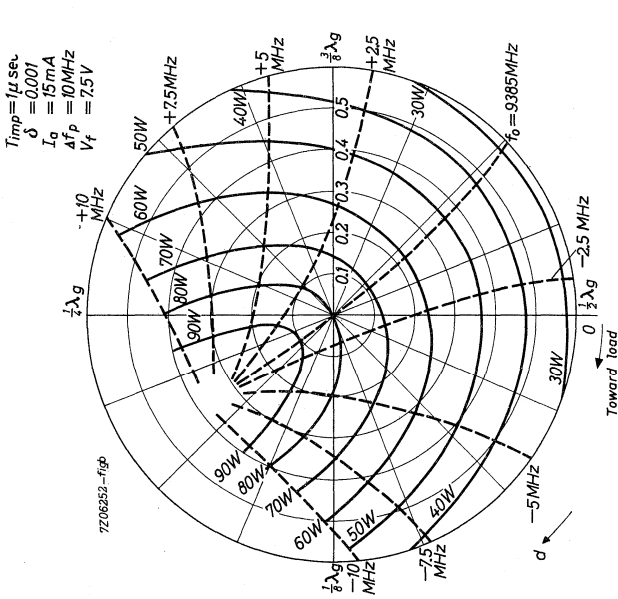
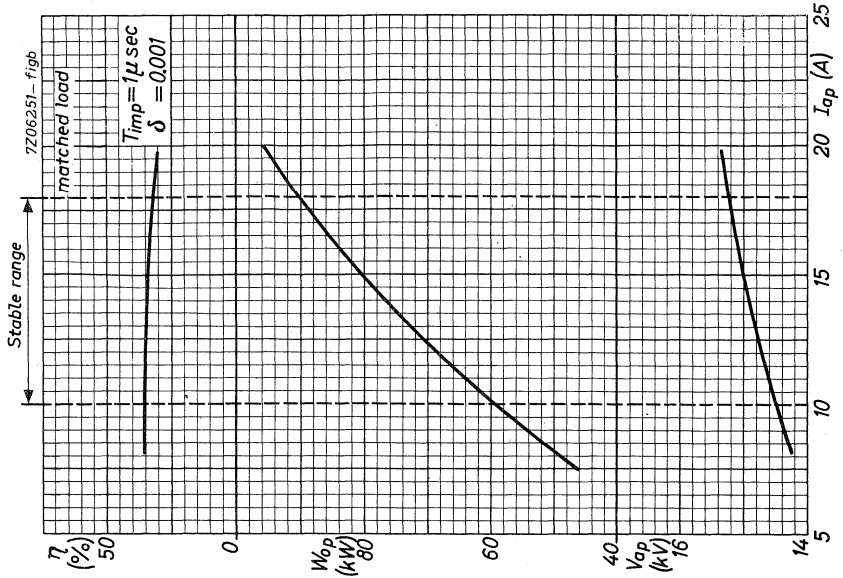
The spike on the top portion of the pulse must be small to avoid excessive peak pulse current. The leading edge of the pulse must be free from irregularities.

STORAGE, HANDLING

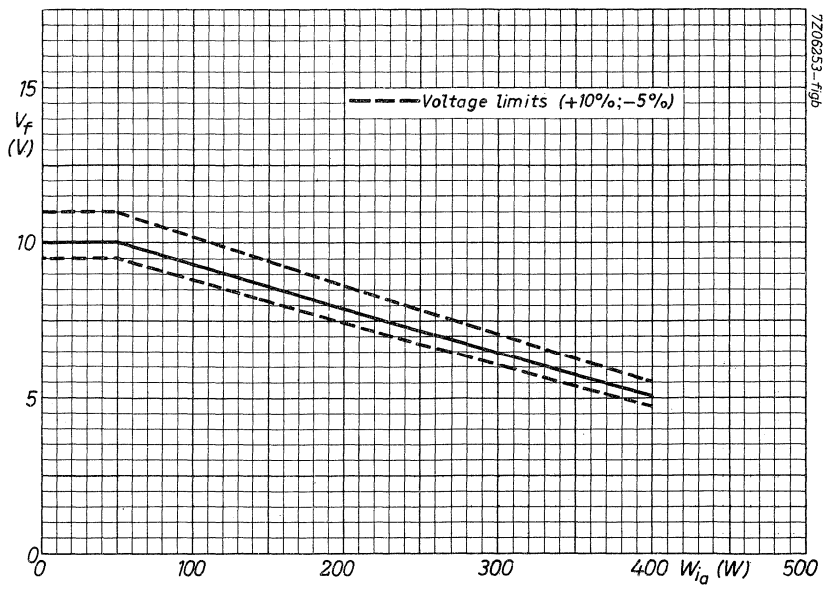
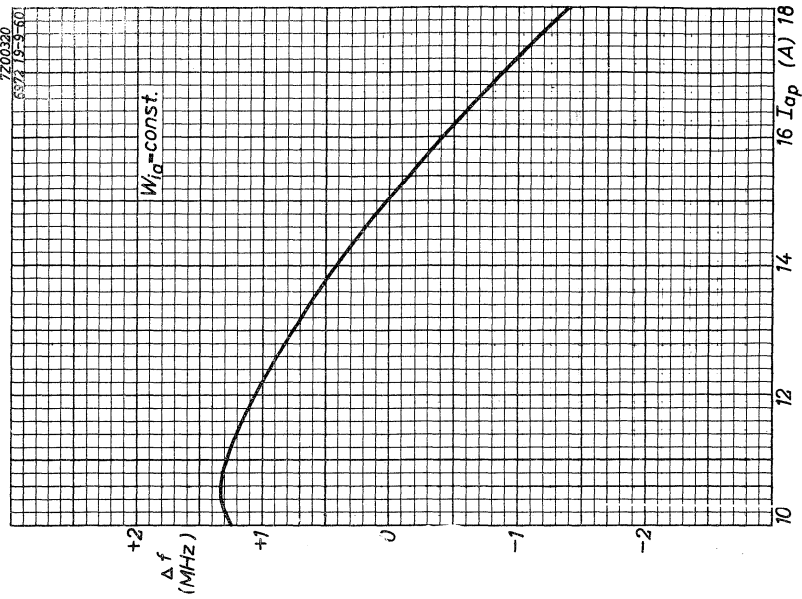
In handling the magnetron, it should never be held by the cathode assembly. Rough treatment of the metal envelope and of the cooling fins may impair the electrical characteristics or may result in loss of vacuum.

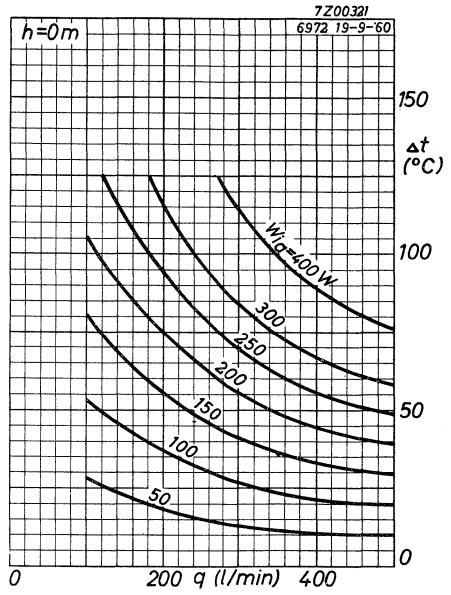
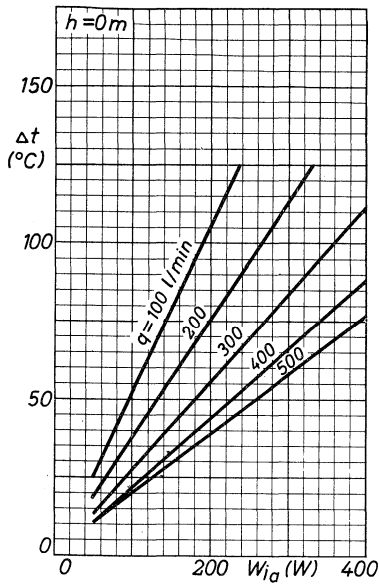
In storage a minimum distance of 15 cm (6 inches) should be maintained between the packaged magnetrons to prevent decrease of field strength of the magnetron magnet due to the interaction with adjacent magnets. If the magnetrons are stored in their original wooden box, no special precautions need be taken with regard to the proper distance between magnets.

Magnetic materials should be kept away from the magnet a distance of at least 5 cm (2 inches) to avoid mechanical shocks to the magnet.



d = distance of standing wave minimum from reference plane A toward load. Measured at an anode block temperature between 15 and 20 °C with a test signal frequency equal to that of the oscillating magnetron with matched load and an anode block temperature between 70 and 80 °C. For reference plane A see page 2 note 4).





PULSED MAGNETRON

Packaged magnetron for pulsed service at a fixed frequency

| QUICK REFERENCE DATA | | | |
|----------------------------------|----------|--------------|-----|
| Frequency, fixed within the band | f | 9345 to 9475 | MHz |
| Peak output power | W_{op} | 3 | kW |
| Construction | | packaged | |

HEATING: indirect

| | | | |
|----------------------------------|-------|----------|------------|
| Heater voltage | V_f | = 6.3 | V \pm 5% |
| Heater current at $V_f = 6.3$ V | I_f | = 0.5 | A |
| Waiting time at $t_{amb} > 0$ °C | T_w | = min. 2 | min |
| at $t_{amb} < 0$ °C | T_w | = min. 3 | min |

TYPICAL CHARACTERISTICS

| | | | |
|--------------------------------------------------------------------------------------|-------------------------------|----------------|--------|
| Frequency, fixed within the range | f | = 9345 to 9475 | MHz |
| Negative temperature coefficient | $-\frac{\Delta f}{\Delta t}$ | < 0.25 | MHz/°C |
| Pulling figure at VSWR = 1.5 | Δf_p | < 18 | MHz |
| Pushing figure | $\frac{\Delta f}{\Delta I_a}$ | < 2.5 | MHz/A |
| Distance of voltage standing wave minimum from face of mounting plate into magnetron | d | = 0 to 6 | mm |
| Peak anode voltage at $I_{ap} = 3$ A | V_{ap} | = 3.2 to 3.8 | kV |
| Input capacitance | C_{ak} | < 9 | pF |

COOLING: radiation and convection

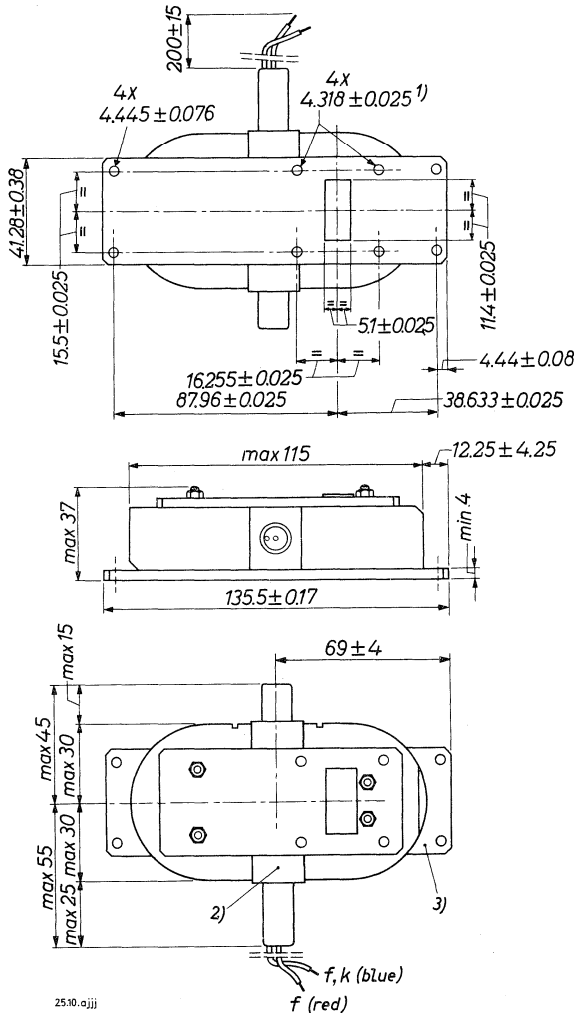
MAGNETRON OUTPUT

The output system has been designed for coupling to the standard rectangular waveguide RG-52/U (EIA designation WR90) with outside dimensions $\frac{1}{2}$ " x 1". To fasten the magnetron base plate to the RG-52/U waveguide the bolted flange choke coupling joint-services type 5985-99-0830051 should be used.

MECHANICAL DATA

Dimensions in mm

Net weight: 1.02 kg



Mounting position: any

- 1) Holes for locating pins, depth 4 mm
- 2) Point for temperature measurement
- 3) The anode is terminated at the base plate

LIMITING VALUES (Absolute limits)

Each limiting value should be regarded independently of other values, so that under no circumstances it is permitted to exceed a limiting value whichever.

| | | |
|-------------------------------|----------------------------------------------------|-----------------------------|
| Pulse duration | T_{imp} | = 0.02 to 1 μs |
| Duty factor | δ | = max. 0.001 |
| Peak anode current | I_{ap} | = 2.5 to 3.5 A |
| Average input power | W_{ia} | = max. 13 W |
| Rate of rise of anode voltage | $\frac{\Delta V_{\text{a}}}{\Delta T_{\text{rv}}}$ | = max. 60 kV/ μs |
| Voltage standing wave ratio | VSWR | = max. 1.5 |
| Temperature of anode block | t_{a} | = max. 120 °C ¹⁾ |

OPERATING CHARACTERISTICS

| | | |
|-------------------------------|----------------------------------------------------|------------------------|
| Heater voltage | V_{f} | = 6.3 V |
| Pulse duration | T_{imp} | = 0.1 μs |
| Duty factor | δ | = 0.0002 |
| Pulse repetition rate | f_{imp} | = 2000 Hz |
| Peak anode voltage | V_{ap} | = 3.4 kV |
| Rate of rise of anode voltage | $\frac{\Delta V_{\text{a}}}{\Delta T_{\text{rv}}}$ | = 50 kV/ μs |
| Average anode current | I_{a} | = 600 μA |
| Peak anode current | I_{ap} | = 3 A |
| Average input power | W_{ia} | = 2 W |
| Peak input power | $W_{\text{ia p}}$ | = 10 kW |
| Average output power | W_{o} | = 0.6 W |
| Peak output power | W_{op} | = 3 kW |
| Pulling figure at VSWR = 1.5 | Δf_{p} | = 15 MHz |

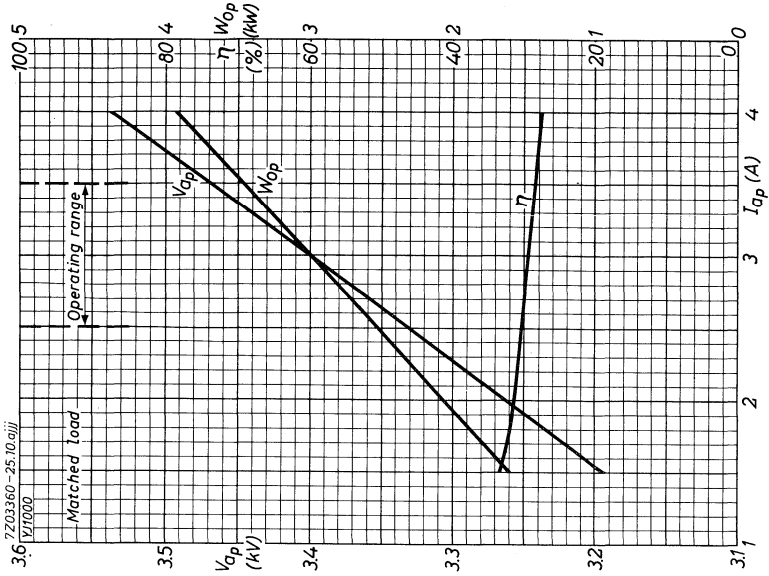
¹⁾ For point of measurement see note ²⁾ page 2.

END OF LIFE PERFORMANCE

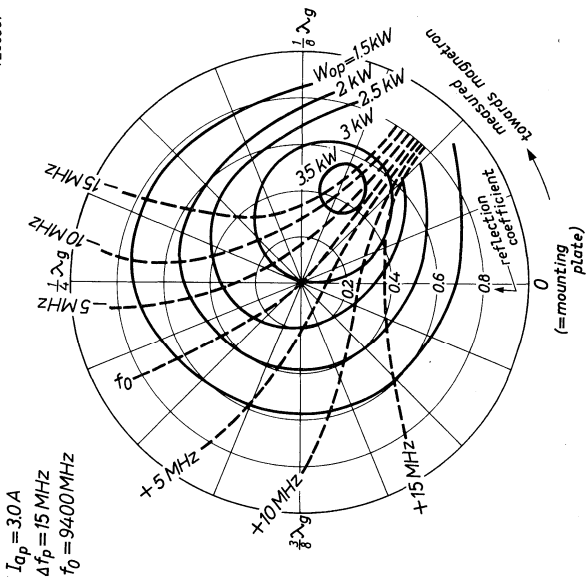
Peak output power at $I_{ap} = 3$ A

Frequency within the range

Peak anode voltage at $I_{ap} = 3$ A $W_{op} = 2$ kW $f = 9345$ to 9475 MHz $V_{ap} = 3.2$ to 3.8 kV



7206357



$I_{ap} = 3.0 A$
 $\Delta f_p = 15 MHz$
 $f_0 = 9400 MHz$

PULSED MAGNETRON

Air-cooled packaged magnetron for pulsed service at a fixed frequency, especially suited for use in high definition short range radar systems.

| QUICK REFERENCE DATA | | | |
|----------------------------------|----------|------------------|-----|
| Frequency, fixed within the band | f | 34 512 to 35 208 | MHz |
| Peak output power | W_{op} | 40 | kW |
| Construction | | packaged | |

HEATING: indirect; dispenser type cathode

| | | | | |
|-------------------------------------|----------|---|---------------|----------|
| Heater starting voltage | V_{f0} | = | 5 V | +10% |
| | | | | -5% |
| Heater current at $V_f = 5$ V | I_f | = | 3.9 ± 0.7 | A |
| Heater resistance in cold condition | R_{f0} | > | 0.16 | Ω |
| Waiting time | T_w | = | min. 3 | min |

The heater current must never exceed a peak value of 8 A during the initial energizing schedule.

At an anode input power of more than 21 W the heater voltage must be reduced immediately after the application of the anode power according to the graph on page 8.

TYPICAL CHARACTERISTICS

| | | | | |
|---------------------------------------------------------------------------------------|-------------------------------|---|--------------|-------------------|
| Peak anode current in the stable range | I_{ap} | = | 6 to 16 | A |
| Peak anode voltage at $I_{ap} = 12.5$ A | V_{ap} | = | 11.5 to 13.5 | kV |
| Negative temperature coefficient | $-\frac{\Delta f}{\Delta t}$ | < | 1 | MHz/ $^{\circ}$ C |
| Pulling figure at VSWR = 1.5 | Δf_p | = | 35 < 50 | MHz |
| Pushing figure | $\frac{\Delta f}{\Delta I_a}$ | < | 4 | MHz/A |
| Distance of the voltage standing wave minimum outside the tube from reference plane A | d | = | 0.25 to 0.4 | λ_g^1) |
| | | = | 2.6 to 4.4 | mm |
| Input capacitance | C_{ak} | = | 6 | pF |

1) Measured with a standard cold test technique at the frequency of the oscillating magnetron operating into a matched load.

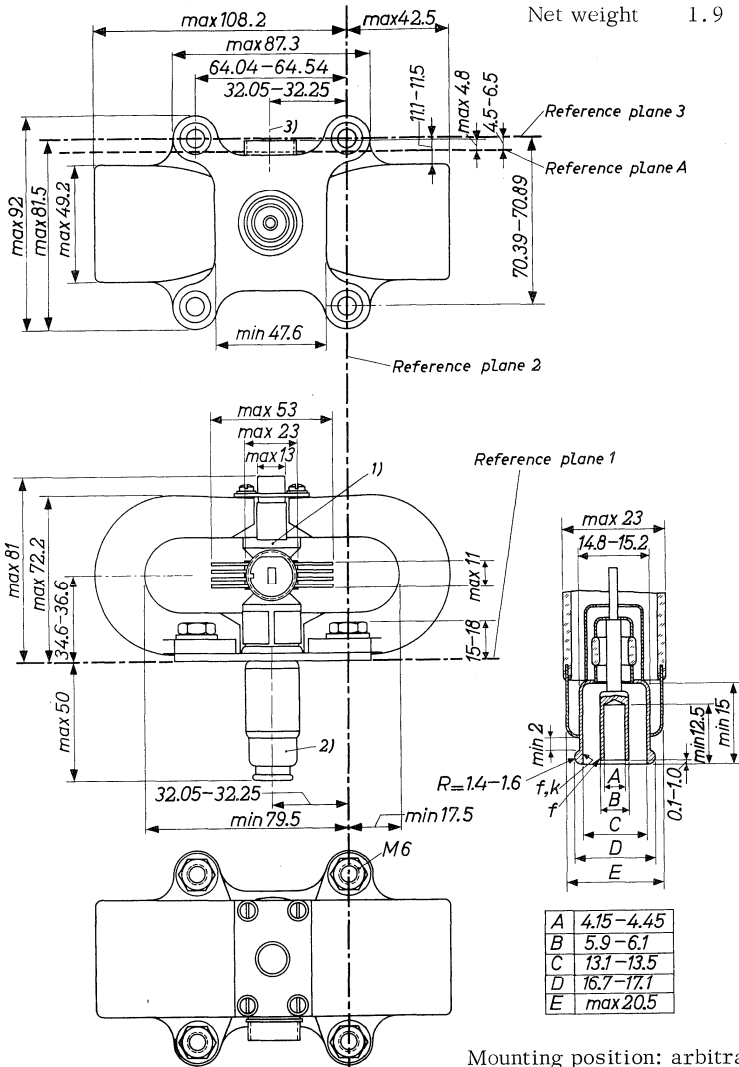
For reference plane A see page 2

λ_g is the wavelength of the waveguide

MECHANICAL DATA

Dimensions in mm

Net weight 1.9 kg



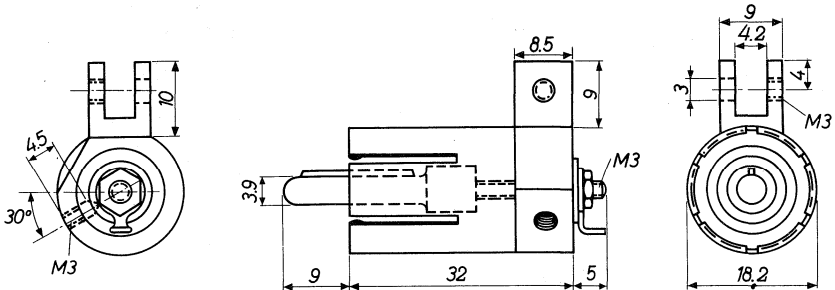
Mounting position: arbitrary

ACCESSORIES Cathode connector 55356 (See figure page 3)

1) 2) 3) See page 3

MECHANICAL DATA (continued)

Dimensions in mm



Cathode connector 55356

MAGNETRON OUTPUT

The magnetron output has been designed for coupling to the waveguide RG-96/U. To fasten the magnetron output to this waveguide, the coupling system Z830016 (American reference drawing number AS-2092) should be inserted between these parts. To facilitate this coupling the components Z830017 and Z830019 have been fixed permanently to the magnetron.

COOLING

Under normal operating conditions cooling by a low velocity air flow is sufficient. If the anode temperature is kept below 150°C no additional cooling of the input terminals will be required.

 Page 2

- 1) Inscription of serial number
- 2) The axis of the common cathode-heater terminal is within a radius of 1.5 mm from the centre of the mounting plate. The eccentricity of the axis of the inner cylinder of the heater terminal with respect to the axis of the inner cylinder of the common cathode-heater terminal is max. 0.125 mm.
- 3) Centre of waveguide.

LIMITING VALUES (Absolute limits)

Each limiting value should be regarded independently of other values, so that under no circumstances it is permitted to exceed a limiting value whichever.

| | | | |
|---------------------------------------------------------------------------------|------------------------------------|--------|--------------------------------------------|
| Pulse duration | T_{imp} | = max. | 0.4 μs |
| Duty factor | δ | = max. | 0.0003 |
| Heater starting voltage | V_{f_0} | = max. | 5.5 V |
| Peak anode current | I_{a_p} | = max. | 16 A |
| Average anode input power | W_{i_a} | = max. | 60 W |
| Rate of rise of anode voltage
at $T_{\text{imp}} = 0.1$ or $0.3 \mu\text{s}$ | $\frac{\Delta V_a}{\Delta T_{rV}}$ | = | 200 to 300 kV/ μs ¹⁾ |
| Voltage standing wave ratio | VSWR | = max. | 1.5 |
| Anode block temperature | t_a | = max. | 150 °C ²⁾ |
| Seal temperature | t_s | = max. | 150 °C |

OPERATING CHARACTERISTICS

| | | | | | |
|-------------------------|------------------------------------|---|-------------------|-------------------|-----------------------|
| Heater voltage | V_f ³⁾ | = | 4.0 ⁴⁾ | 4.0 ⁴⁾ | 5.0 V |
| Pulse duration | T_{imp} | = | 0.3 | 0.1 | 0.02 μs |
| Duty factor | δ | = | 0.0002 | 0.0002 | 0.0001 |
| Peak anode voltage | V_{a_p} | = | 11.5-13.5 | 11.5-13.5 | 11.5-13.5 kV |
| Rate of rise of voltage | $\frac{\Delta V_a}{\Delta T_{rV}}$ | = | 250 | 250 | 600 kV/ μs |
| Average anode current | I_a | = | 2.5 | 2.5 | 1.55 mA ⁵⁾ |
| Peak anode current | I_{a_p} | = | 12.5 | 12.5 | 15.5 A |
| Average output power | W_o | = | 8 | 8 | 3 W |
| Peak output power | W_{o_p} | = | 40 | 40 | 30 kW |

1) See pulse definitions page 6.

2) To be measured on the anode block between the second and the third cooling fin.

3) Tolerances of the heater voltage are +10% and -5% of the indicated values.

4) The heater voltage must be reduced from 5 V to the indicated value immediately after the application of the anode power.

5) Diode current suppressed by a suppressor voltage of about +300 V on the cathode with respect to the anode

MOUNTING

Mounting of the magnetron should be accomplished by means of its mounting flange. The tube should in no case be supported by the coupling to the waveguide output flange alone.

It is required to use non-magnetic tools during installation.

The opening in the output flange should be kept closed by the dust cover until the tube is mounted into the equipment.

Before putting the magnetron into operation, the user should make sure that the output waveguide is entirely clean and free from dust and moisture.

PRESSURE

The magnetron need not be pressurized when operating at atmospheric pressure.

Operation at pressures lower than 45 cm of Hg may result in arcover with consequent damage to the tube.

The mounting flange and also the waveguide output flange are made so that the magnetron can be used in applications requiring a pressure seal. They can be maintained at a pressure up to 3.1 kg/cm^2 (45 lbs/sq. in.).

LIFE

Magnetron life depends on the operating conditions and is expected to be longer at shorter pulse lengths.

STARTING A NEW MAGNETRON

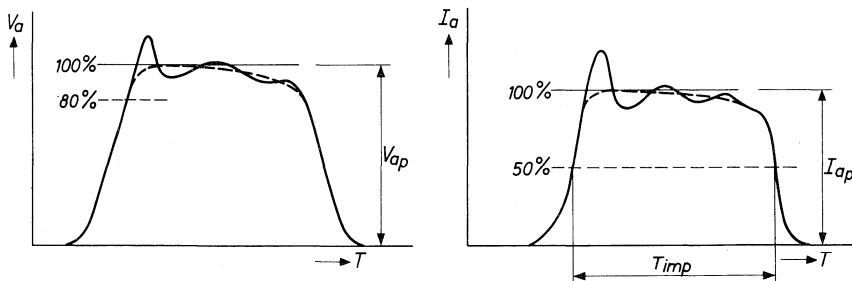
The magnetron is provided with a getter. Owing to this ageing of a new magnetron or of a magnetron that has been idle or stored for a period of time, will not be necessary in many cases. If, however, the magnetron is taken into operation and some sparking and instability occur incidentally it is recommended to raise gradually the anode voltage - starting at low values - and to operate the magnetron with reduced input during 15 to 30 minutes. After this period sparking usually ceases.

CIRCUIT NOTES

- a. The negative high voltage pulse should be applied to the common cathode-heater terminal.
- b. If no load isolator is inserted between the magnetron and the transmission line, the latter should be as short as possible to prevent long-line effects. Under no circumstances should the magnetron be operated with a voltage standing wave ratio of the load exceeding 1.5. A ratio kept near unity will benefit tube life and reliability.
- c. The modulator must be so designed that, if arcing occurs, the energy per pulse delivered to the magnetron does not considerably exceed the normal energy per pulse.
- d. In order to prevent diode current from flowing during the interval between two pulses and to minimize unwanted noise during the region of the voltage pulse where the anode voltage has dropped below the value required to sustain oscillation, the trailing edge of the voltage pulse should be as steep as possible and the anode voltage should be prevented from becoming positive at any time in the interval between two pulses.
- e. It is required to bypass the magnetron heater with a 1000 V rated capacitor of minimum 4000 pF directly across the heater terminals.

PULSE CHARACTERISTICS AND DEFINITIONS

The smooth peak value (100%) of a pulse is the maximum value of a smooth curve through the average of the fluctuation over the top portion of the pulse as shown below



The rate of rise of anode voltage ($\frac{\Delta V}{\Delta T_{rv}}$) is defined by the steepest tangent to the leading edge of the voltage pulse above 80% of the smooth peak value. Any capacitance used in a removable viewing system shall not exceed 6 pF. For calculation of the rate of rise of anode voltage the smooth peak value must be taken as 12.5 kV.

PULSE CHARACTERISTICS AND DEFINITIONS (continued)

The pulse duration (T_{imp}) is defined as the time interval between the two points on the current pulse at which the current is 50% of the smooth peak current.

The current pulse must be sensibly square and the ripple over the top portion of the current pulse must be as small as possible to avoid unwanted frequency modulation due to pushing effects.

The spike on the top portion of the pulse must be small to avoid excessive peak pulse current. The leading edge of the pulse must be free from irregularities.

STORAGE, HANDLING

In handling the magnetron, it should never be held by the cathode assembly. Rough treatment of the metal envelope and of the cooling fins may impair the electrical characteristics or may result in loss of vacuum.

In storage a minimum distance of 15 cm (6 inches) should be maintained between the packaged magnetrons to prevent the decrease of field strength of the magnetron magnet due to the interaction with adjacent magnets. If the magnetrons are stored in their original wooden box, no special precautions need be taken with regard to the proper distance between magnets.

Magnetic materials should be kept away from the magnet a distance of at least 5 cm (2 inches) to avoid mechanical shocks to the magnet.



PULSED MAGNETRON

Forced air-cooled packaged magnetrons intended for service as pulsed oscillator at a fixed frequency. They have been designed for operation at pulse durations of 1 μ s down to 0.1 μ s.

| QUICK REFERENCE DATA | | | |
|----------------------|----------------------|------------------------|---------------------|
| Type | Frequency band (MHz) | Peak output power (kW) | |
| | | $T_{imp} = 0.1 \mu s$ | $T_{imp} = 1 \mu s$ |
| 55029 | 9405-9505 | W_{op} 200 kW | W_{op} 250 kW |
| 55030 | 9345-9405 | | |
| 55031/02 | 9260-9345 | | |
| 55031/01 | 9168-9260 | | |
| 55032/02 | 9085-9168 | | |
| 55032/01 | 9003-9085 | | |
| Construction | | packaged | |

HEATING: indirect

| | | | | |
|--------------------------------------------------------------------|---------------|---|---------------|---------------------------------------------|
| Heater starting voltage | V_f | = | 13.75 V | $\begin{matrix} +10\% \\ -5\% \end{matrix}$ |
| Heater current at $V_f = 13.75$ V | I_f | = | 3.0 to 3.75 A | |
| Heater surge current | $I_{fsurgep}$ | = | max. 15 A | |
| Cold heater resistance | R_{fo} | > | 0.35 Ω | |
| Heating time before application of high tension ($V_f = 13.75$ V) | T_w | = | min. 4 min | |

It is necessary to reduce the heater voltage immediately after applying the high voltage. The reduced heater voltage is given under "Operating characteristics" and on page 7

TYPICAL CHARACTERISTICS

| | | | |
|----------------------------------|----------------------------------|--------|--------------------------|
| Peak anode voltage | V_{ap} | = | 20 to 23 kV |
| Pulling figure at V.S.W.R. = 1.5 | Δf_p | = 13 < | 17.5 MHz |
| Pushing figure | $\frac{\Delta f}{\Delta I_{ap}}$ | < | 0.25 MHz per A |
| Negative temperature coefficient | $-\frac{\Delta f}{\Delta t}$ | < | 0.25 MHz per $^{\circ}C$ |
| Anode to cathode capacitance | C_{ak} | = | 14 pF |

LIMITING VALUES (Absolute limits)

Each limiting value should be regarded independently of other values, so that under no circumstances it is permitted to exceed a limiting value whichever.

| | | | | |
|-----------------------------------------------|------------------------------------|--------|-------|----------------------------------------------|
| Pulse duration | T_{imp} | = max. | 1 | μs |
| Duty factor | δ | = max. | 0.001 | |
| Heater starting voltage | V_{f_0} | = max. | 15 | V |
| Heater surge current | $I_{f surge p}$ | = max. | 15 | A |
| Peak anode current | I_{ap} | = max. | 27.5 | A |
| Average input power | W_i | = max. | 635 | W |
| Peak input power | W_{ip} | = max. | 635 | kW |
| Rate of rise of voltage pulse ¹⁾ | | | | |
| for $T_{imp} = 1 \mu s$ | $\frac{\Delta V_a}{\Delta T_{rv}}$ | = max. | 110 | kV/ μs |
| | | = min. | 70 | kV/ μs |
| for $T_{imp} = 0.25 \mu s$ | $\frac{\Delta V_a}{\Delta T_{rv}}$ | = max. | 160 | kV/ μs |
| | | = min. | 120 | kV/ μs |
| for $T_{imp} = 0.1 \mu s$ | $\frac{\Delta V_a}{\Delta T_{rv}}$ | = max. | 220 | kV/ μs |
| | | = min. | 160 | kV/ μs |
| Voltage standing wave ratio | V.S.W.R. | = max. | 1.5 | |
| Anode temperature ²⁾ | t_a | = max. | 150 | $^{\circ}C$ |
| Cathode-heater terminal temperature | t | = max. | 165 | $^{\circ}C$ |
| Pressurization of input and output assemblies | p | = max. | 45 | lbs/sq.in.abs.
(3.1 kg/cm ²) |

Operation at pressures lower than 60 cm Hg may result in arc-over across the heater-cathode stem with consequent damage to the magnetron. The output assembly must always be pressurized. When the magnetron is not working into a matched load, the pressure on the output window must be higher than 1 kg/cm² (15 lbs/sq.in.).

¹⁾ For the definition of the rate of rise of voltage pulse see under "Pulse definitions".

²⁾ To be measured at the point specified on the outline drawing.

MECHANICAL DATA (continued)

The waveguide output is designed for coupling to standard rectangular waveguide RG-51/U (E.I.A. designation WR112, British designation WG15) with outside dimensions 1 1/4 x 5/8".

To fasten the magnetron output flange to the RG-51/U waveguide, a choke flange Z83 0033 (British designation) or type UG-52A/U should be inserted between these parts. This choke flange should be modified to fit the magnetron output flange. This is accomplished by reaming the four mounting holes in the above choke flange with a No.15 drill. The choke flange can then be fastened to the magnetron output flange by means of four size 8-32 bolts.

COOLING

An adequate air flow should be directed along the cooling fins towards the body of the tube to keep the anode block temperature below 150 °C under any condition of operation.

OPERATING CHARACTERISTICS

| | | | | |
|----------------------------------|----------------------------------------------------|------------------|----------------|-------------------|
| Frequency | | see table page 1 | | |
| Pulse duration | $T_{imp} =$ | 0.1 | 0.25 | 1.0 μs |
| Duty factor | $\delta =$ | 0.0002 | 0.0005 | 0.001 |
| Heater voltage | ¹⁾ $V_f =$ | 12 | 9 | 6.5 V |
| Peak anode voltage | $V_{ap} =$ | 21.5 ± 1.5 | 21.5 ± 1.5 | 21.5 ± 1.5 kV |
| Rate of rise of voltage
pulse | ²⁾ $\frac{\Delta V_a}{\Delta T_{rv}} =$ | 190 | 140 | 90 kV/ μs |
| Average anode
current | ³⁾ $I_a =$ | 4.5 | 12 | 27.5 mA |
| Peak anode current | $I_{ap} =$ | 22.5 | 24 | 27.5 A |
| Average output power | $W_o =$ | 41 | 110 | 250 W |
| Peak output power | $W_{op} =$ | 205 | 220 | 250 kW |

The manufacturer should be consulted whenever it is considered to operate the magnetron at conditions substantially different from those given above.

- ¹⁾ The tolerance of the heater voltage is +10 and -5% of the indicated value. The heater voltage must be reduced from 13.75 V to the indicated value as soon as the magnetron starts oscillating.
- ²⁾ For the definition of the rate of rise of voltage pulse see under "Pulse definitions".
- ³⁾ See "Circuit notes"

LIFE

The life of the magnetron depends on the operating conditions, and is expected to be longer at shorter pulse lengths.

STARTING A NEW MAGNETRON

This magnetron is provided with a getter, so that aging (of a new magnetron or of a magnetron that has been idle or stored for a period of time) will not be necessary in most cases. If, however, the magnetron is put into operation and some sparking and instability occur incidentally, it is recommended to increase the anode current gradually and to operate the magnetron with reduced input during 15 to 30 minutes. After this period sparking usually ceases.

CIRCUIT NOTES

- a. In order to prevent heater burn-out the negative high-voltage pulse must be applied to the common cathode-heater terminal.
- b. If no load isolator is inserted between the magnetron and the transmission line, the latter should be as short as possible to prevent long-line effects. Under no circumstances should the magnetron be operated with a V.S.W.R. of the load exceeding 1.5. A ratio kept near unity will benefit tube life and reliability.
- c. The modulator must be so designed that, if arcing occurs, the energy per pulse delivered to the magnetron does not considerably exceed the normal energy per pulse.
- d. It is required to bypass the magnetron heater with a 1000 V rated capacitor of min. 4000 pF directly across the heater terminals.
- e. Any diode current flowing during the intervals between the pulses should be taken into account when the peak anode current is calculated from the measured average anode current.
The occurrence of this diode current can be avoided by preventing that during these intervals the anode voltage becomes positive with respect to the cathode. Modulators of the pulse forming network discharge type usually satisfy this requirement.
- f. The unwanted noise that may occur when the anode pulse voltage drops below the value required for oscillation can be minimized by making the trailing edge of the voltage pulse as steep as possible.

PULSE CHARACTERISTICS AND DEFINITIONS

The smooth peak value (V_{ap} or I_{ap}) of a pulse is the maximum value of a smooth curve through the average of the fluctuation over the top portion of the pulse as shown in the figures below.

The rate of rise of anode voltage is defined by the steepest tangent to the leading edge of the voltage pulse above 80% of the smooth peak value (fig.1). Any capacitance used in a removable viewing system shall not exceed 6 pF. For calculation of the rate of rise of anode voltage the 100% value must be taken as 21.5 kV.

The pulse duration (T_{imp}) is the time interval between the two points on the current pulse at which the current is 50% of the smooth peak current (fig.2).

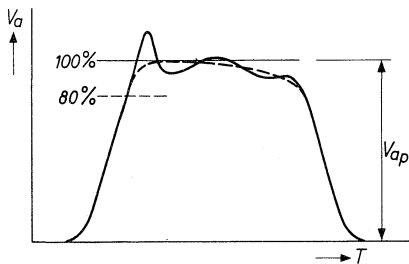


Fig. 1

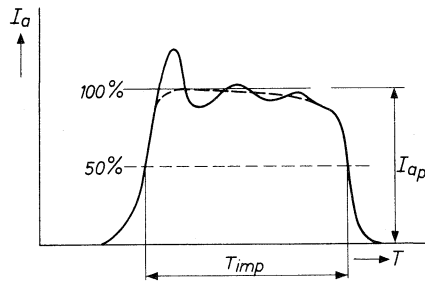


Fig. 2

STORAGE, HANDLING AND MOUNTING

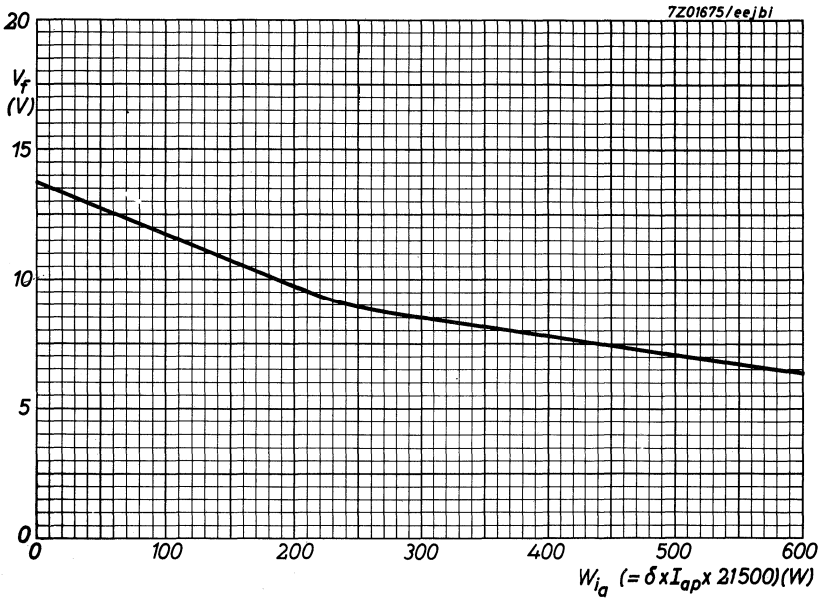
In handling the magnetron, it should never be held by the heater-cathode stem. Rough treatment of the metal envelope and of the cooling fins may impair the electrical characteristics or may result in loss of vacuum.

In storage a minimum distance of 15 cm (6") should be maintained between the packaged magnetrons to prevent the decrease of field strength of the magnetron magnet due to the interaction with adjacent magnets.

Magnetic materials should be kept away from the magnet a distance of at least 5 cm (2") to avoid mechanical shocks to the magnet. For this reason it is required to use non-magnetic tools during installation.

All tubes are delivered with a dust cover placed on the waveguide output flange. It is recommended to keep the opening in the flange closed by this dust cover until the tube is mounted into the equipment. Before putting the magnetron into operation, the user should make sure that the output waveguide is entirely clean and free from dust and moisture.

Mounting of the magnetron should be accomplished by means of its mounting flange. The tube should in no case be supported by the coupling to the waveguide output flange alone.



Magnetrons for micro-wave heating

MAGNETRONS FOR MICROWAVE HEATING

ABRIDGED SURVEY

| Frequency (MHz) | Output power (kW) | Type |
|-----------------|-------------------|--------|
| 2450 \pm 25 | 0.2 | 7090 |
| 2450 \pm 25 | 1.5 | YJ1280 |
| 2450 \pm 25 | 2.5 | YJ1160 |
| 2450 \pm 25 | 2.5 | YJ1162 |
| 2450 \pm 25 | 5 | YJ1191 |

CONTINUOUS-WAVE MAGNETRON

Continuous-wave air-cooled packaged magnetron intended for microwave heating applications.

| QUICK REFERENCE DATA | | |
|----------------------------------|-------------------------------------------------|--------------------|
| Frequency, fixed within the band | f | 2.425 to 2.475 GHz |
| Output power | W_o | 1.2 kW |
| Construction | packaged | |
| Anode supply | unfiltered single-phase full-wave rectification | |

CATHODE: Thoriated tungsten

HEATING: direct by A.C. (50 or 60 Hz) or D.C.

| | | | |
|--------------------------------------------------|-------|---------------------------|---------------|
| Filament voltage, starting and operating | V_f | 4.0 V | +5 %
-10 % |
| stand-by 1) | V_f | 4.0 V | +5 %
-10 % |
| Filament current at $V_f = 4.0$ V ($V_a = 0$ V) | I_f | approx. 30 A
max. 35 A | |

The filament current should never exceed a peak value of 70 A when applying the filament voltage. The cold filament resistance is approximately 0.018 Ω .

| | | |
|-------------------------------------------------------------------|------------|------|
| Heating time before application
of high voltage (waiting time) | T_w min. | 10 s |
|-------------------------------------------------------------------|------------|------|

1) Stand-by operation is strongly recommended for professional applications where frequent switching of the tube occurs.

MECHANICAL DATAMounting position

Axis of cathode (filament) vertical (see outline drawing)

Output coupling

The tube may be coupled by suitable means to either waveguide, coaxial line, or directly into a cavity. Recommendations for broadband coupling to a waveguide can be obtained from the manufacturer.

Dimensions

See outline drawing

Weight

Net weight approx. 4.2 kg

Accessories

| | | |
|---------------------------------------------------------------|------------------------------------------------------------------------------------|----------------------------|
| Filament/cathode connector ¹⁾ | } | type 55325 |
| Filament connector ¹⁾ | | |
| Thermoswitch for 4.5 A | | type S-32997 |
| for 25 A | | type S-330923 |
| R.F. gasket; supplied with the tube | | type S-330109 |
| Coaxial adaptor | } for coupling of the tube to 16/39 coaxial line (characteristic impedance 53.4 Ω) | see fig.5 |
| Cap nut | | type 55312 |
| Spring ring | | type 55313 |
| Coupling adaptor, for measurement purposes only ²⁾ | | type S-32990 ³⁾ |

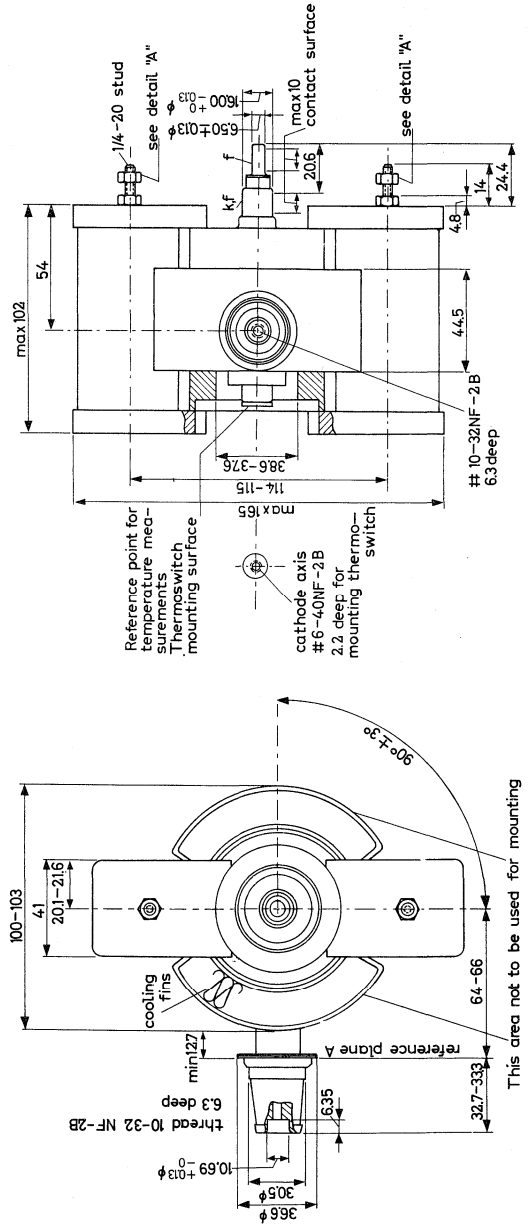
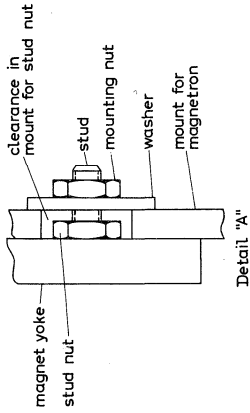
¹⁾ See operating notes (input coupling)

²⁾ See operating notes (load impedance)

³⁾ The coupling adaptor is used to determine the load impedance with reference to the published load diagram for the tube.

MECHANICAL DATA (continued)
Outline drawing

Dimensions in mm



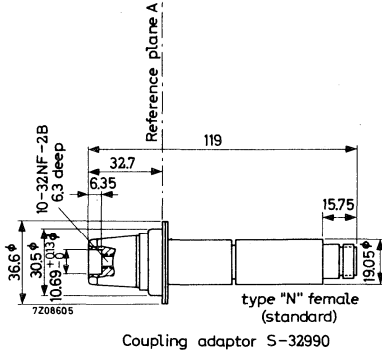


Fig. 1

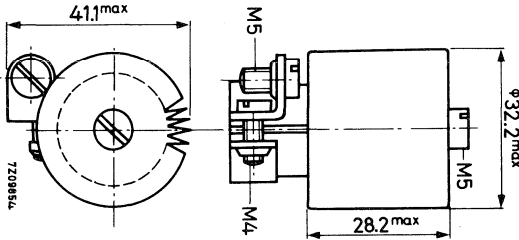


Fig.2

Filament and Filament/cathode connector 55325

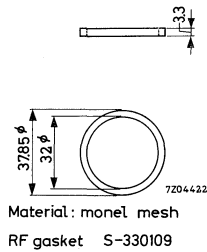
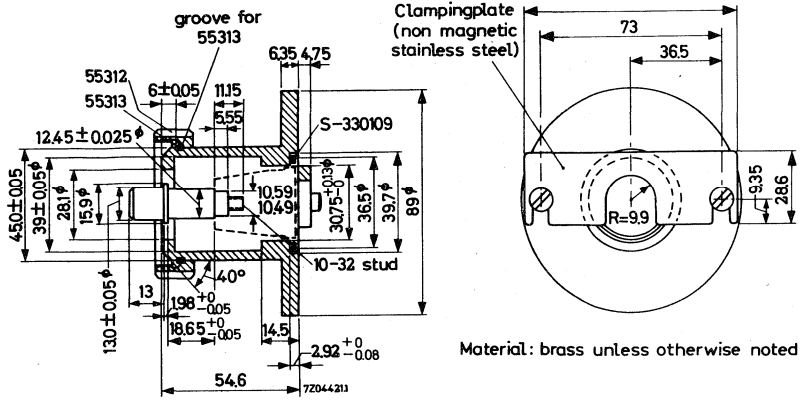
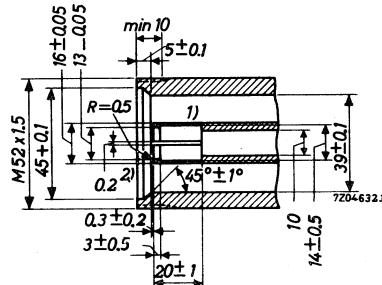


Fig.3

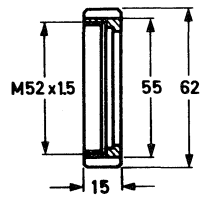
Accessories for coupling to 16/39 coaxial line (characteristic impedance 53.4 Ω)



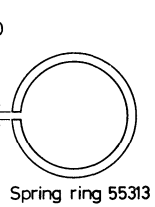
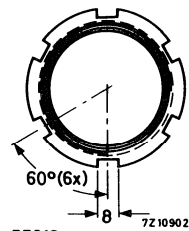
Coaxial adaptor
fig. 4



Coaxial connector
fig. 5



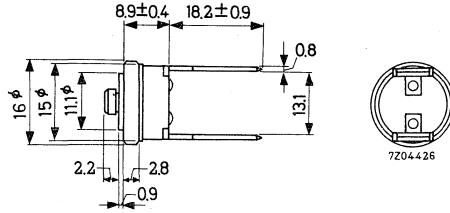
cap nut 55312
fig. 6



Spring ring 55313
fig. 7

- 1) The inner conductor must be movable to accept the tolerances of the inner conductor screwed onto the tube.
- 2) Six slots 0.2 mm. The wall segments should be deburred and be pressed together after slotting.

Thermoswitches

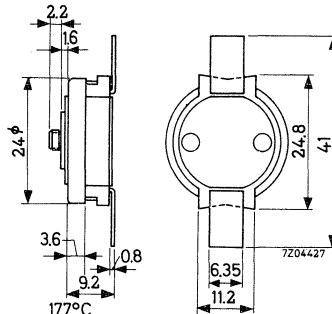


open 177°C
 close 150°C
 current max. 4.5A
 voltage max. 240 V_{a.c.}



Thermoswitch S-32997

fig. 8



open 177°C
 close 150°C
 current max. 25A
 voltage max. 240 V_{a.c.}

Thermoswitch S-330923

fig. 9

TYPICAL CHARACTERISTICS

| | | | |
|----------------------------------------------------|-------|----------------|--------------------|
| Frequency, fixed within the band | f | 2.425 to 2.475 | GHz ¹⁾ |
| Anode voltage at I_a mean = 380 mA ²⁾ | V_a | 5.4 to 5.8 | kV ¹⁾³⁾ |

LIMITING VALUES (Absolute max. rating system)

| | | | | |
|--------------------------------------------------------------------------------------|-----------|------|-----|---------------|
| Anode current, mean | I_a | max. | 410 | mA |
| | | min. | 100 | mA |
| peak at I_a mean = 380 mA ²⁾ | I_{ap} | min. | 600 | mA |
| | | max. | 1.3 | A |
| Anode voltage, positive and negative | $\pm V_a$ | max. | 10 | kV |
| Voltage standing wave ratio (determined with adaptor S-32990), | | | | |
| continuous | V.S.W.R. | max. | 4 | |
| intermittent (T = max. 0.02 s
max. 20% of the time) | V.S.W.R. | max. | 10 | ⁴⁾ |
| Filament input terminal temperature at hottest point (including adjoining ceramic) t | | max. | 250 | °C ← |
| Anode temperature at point indicated on outline drawing | t_a | max. | 180 | °C |
| Temperature at any other point on tube | t | max. | 200 | °C |

1) Measured at matched load (V.S.W.R. < 1.1)

2) Measured with moving coil instrument.

3) Anode voltage measured with d.c.

Although the anode voltage is measured under d.c. conditions it is not permitted to operate the tube in this manner.

4) The average reflected power for any one second period must not exceed the reflected power equivalent to a V.S.W.R. of 4. When operating under these conditions, the tube should not be permitted to mode.

OPERATING NOTES

Anode supply

The magnetron should be operated from an unfiltered anode supply with single-phase full-wave rectification.

The anode voltage must be adjusted to provide the desired anode current level and the use of a current regulating device is strongly urged.

The anode supply unit should be designed so that for any operating condition no limiting value for the mean and peak anode current can be exceeded.

Anode cooling

The magnetron anode is surrounded with a radiator which should be cooled with forced air. The air flow should be ducted to the radiator for efficient cooling and should be of sufficient volume to insure that the maximum anode temperature is not exceeded.

Input cooling

Because of the high filament current required for the magnetron, it is important that the input connections make good electrical and mechanical contact with the magnetron input terminals. This will prevent the contribution of a resistive heating loss to the temperature of the input connectors. This resistance may cause a lower actual filament voltage and result in poor magnetron operation. Therefore, spring type or set screw type connectors should not be used. The input connector type 55325 is designed to give the required electrical and mechanical contact and will also aid in cooling the input of the magnetron. Connectors of this design or a similar clamping type design should be used to make the input connections to the magnetron.

Some of the anode cooling air should be directed on the input connections in order to cool them. A simple way to do this is to mount the tube with the input terminals within the inlet air duct for the anode cooling system.

The electrical conductor to the cathode and filament terminals should be of flexible construction in order to eliminate undue stress on the input terminals.

To prevent oxidation of the input contacts a high temperature-resistant silicon grease must be used.

Load impedance

The load impedance for the magnetron is defined with respect to the coupling adaptor S-32990. This adaptor is coupled to the load in place of the magnetron. In both cases the gasket S-330109 should be used.

Using standard measuring techniques, the impedance of the load at the input to the coupling adaptor is determined. The reference plane for the impedance measurements and the load diagram is shown as reference plane A on the outline drawing. The equivalent to reference plane A can be found on the slotted line if the coupling adaptor is short circuited at reference plane A by suitable means.

The use of this coupling adaptor provides a rapid and accurate method for determining the value of the tube load impedance. It enables the designer of microwave heating equipment to easily arrive at the proper coupling conditions for the magnetron.

Method of coupling to coaxial line

If the magnetron output system is to be coupled to a 16/39 coaxial line (characteristic impedance 53.4 Ω) the coaxial adaptor as shown in fig.4 may be used. The inner conductor of the coaxial line should be flexible enough so that no strain will be placed on the output system. In addition, the connection should assure a reliable R.F. contact with the inner conductor part of the coaxial adaptor. A suitable coaxial line is shown in fig.5.

Shielding

Where required, R.F. radiation from the filament terminals may be reduced by external filtering and/or shielding. Detailed information may be readily obtained from the manufacturer.

Tube cleanliness

The ceramic parts of the tube must be kept clean during operation. A protective cover of suitable dielectric material should be placed over the tube output, if the tube is directly inserted into a cavity.

STORAGE, HANDLING AND MOUNTING

High intensity magnetic fields associated with transformers and other magnetic equipment can demagnetize the DX206 magnets. These fields should be avoided when storing, handling, and maintaining the tube.

The user should be aware of the strong magnetic field around the magnet. When handling and mounting the magnetron, it is essential to use non-magnetic tools and to be extremely careful of watches and other precision instruments nearby. When handling and storing unpacked magnetrons, a minimum distance of 15 cm should be maintained between magnets.

When the magnetron is installed in equipment, the following should be observed: For magnetic materials in planes parallel to the output system, a minimum distance of 10 cm must be maintained between these materials and the magnet. (Distances measured perpendicular to centre line of output system.)

For magnetic materials in planes perpendicular to the centre line of the output system a minimum distance of 13 cm must be maintained between magnetic materials and the magnet (distances measured parallel to centre line of output system). When magnetic materials are present in two or more planes, the minimum distance is 13 cm in all directions. In addition, stray magnetic fields at the tube due to transformers or inductances should be less than 1500 amp-turns.

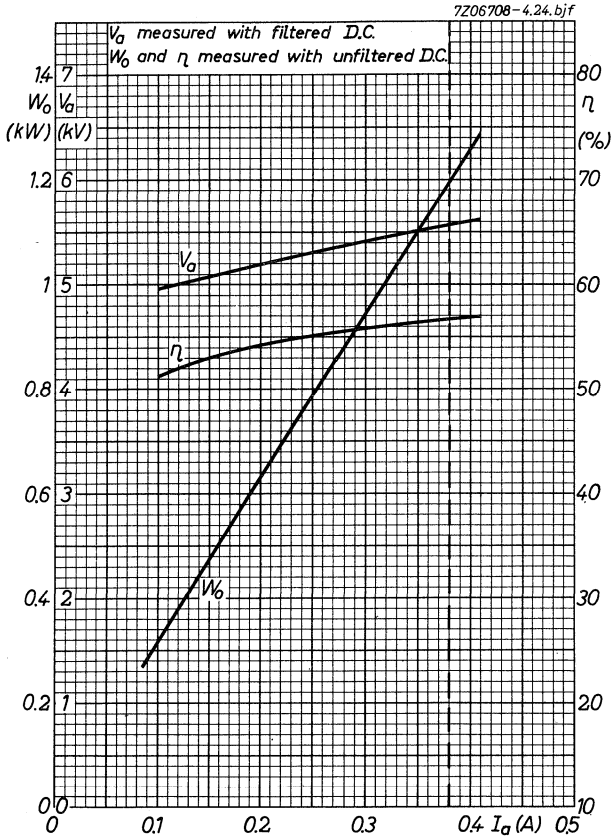
In order to assure a good R.F. contact between the output of the tube and the circuit in which it is connected the use of the gasket S-330109 is essential. The gasket should be used as shown in fig.4

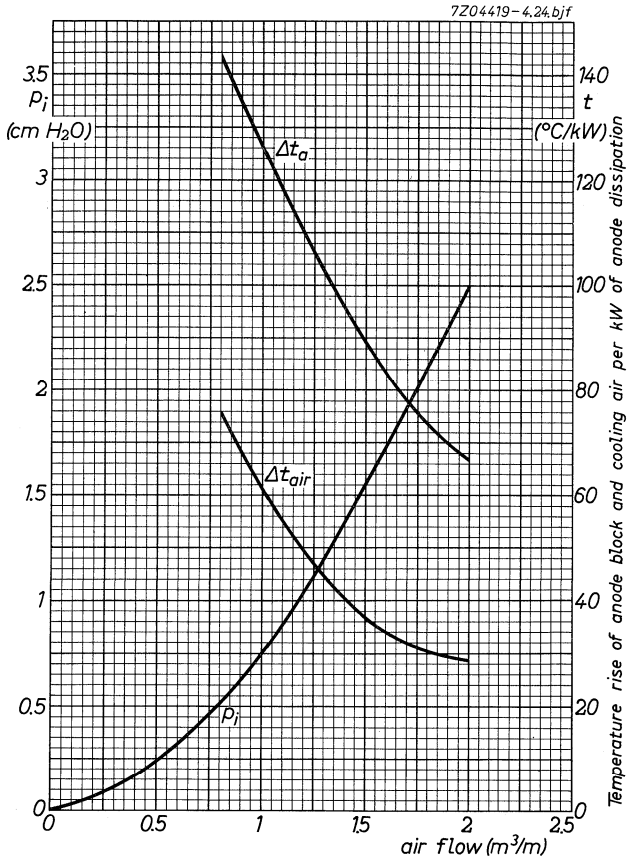
The tube should be supported by the yoke of the magnet when it is mounted and secured by the two studs provided for this purpose. The mounting should be sufficiently flexible and adjustable so that no strain is placed on the output system when the mounting nuts are tightened.

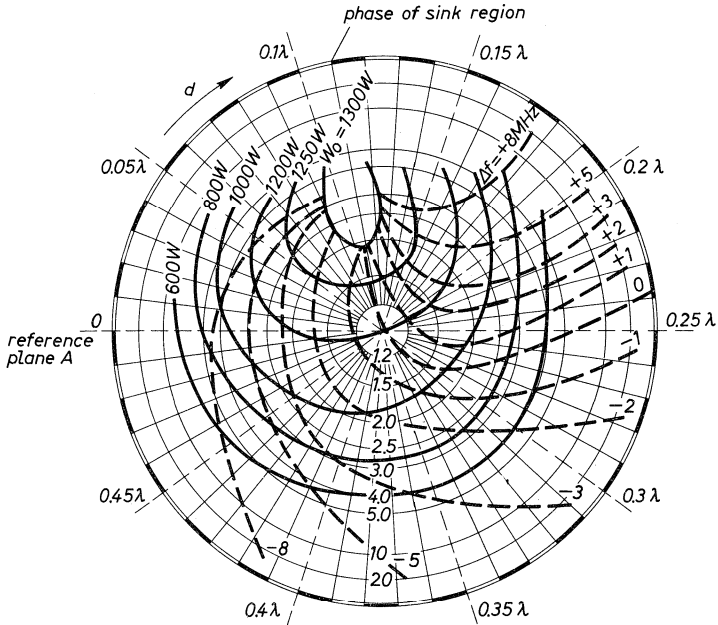
When mounting the magnetron, do not loosen the stud nut which holds the magnet system together. This can cause a demagnetization of the magnet which will degrade tube performance. For the purpose of mounting a second nut is provided and a recommended mounting procedure is shown in detail A of the outline drawing.

The output coupling shown in fig.4 is designed to obtain reliable R.F. contact and should not be used as the only means of mounting the magnetron. Neither should the radiator system be used for mounting.

The anode connection to the power supply shall be made to the mounting studs. The original packing should be used for storing and transporting the tube.





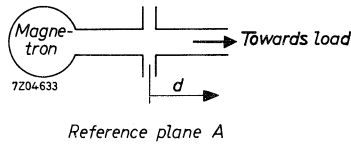


7208973

Load diagram

frequency f 245 GHz
 mean anode current I_a 380 mA
 peak anode current I_{ap} 1.1 A
 unfiltered rectified anode supply

d = distance of voltage standing wave minimum from reference plane A towards load.

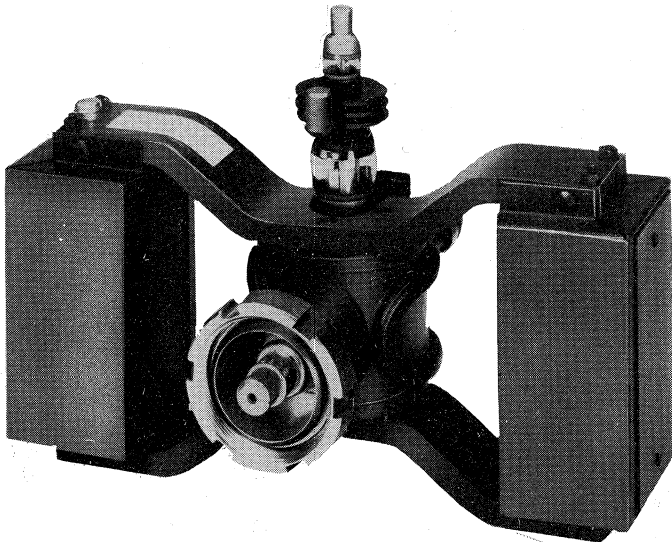


CONTINUOUS-WAVE MAGNETRON

Continuous-wave water-cooled packaged magnetron intended for microwave heating applications. It can produce up to 2.5 kW under various typical operating conditions.

QUICK REFERENCE DATA

| | | |
|----------------------------------|-------|--------------------------------------------------------------------------|
| Frequency, fixed within the band | f | 2.425 to 2.475 GHz |
| Output power | W_o | 2.0 or 2.5 kW |
| Construction | | packaged |
| Anode supply | | unfiltered single-phase full-wave or three-phase half-wave rectification |



A 53763 3

CATHODE : Dispenser type

HEATING : Indirect by A.C. (50 to 60 Hz) or D.C.

| | | | |
|------------------------------------------------|----------|---------------------------|-------------|
| Heater voltage, starting | V_{f0} | 5.0 V | +5%
-10% |
| Heater voltage, stand-by (see operating notes) | V_f | 4.8 V | +5%
-10% |
| Heater current at $V_f = 5.0$ V | I_f | approx. 35 A
max. 38 A | |

The heater current should never exceed a peak value of 140 A when applying the heater voltage. The cold heater resistance is approx. 0.02 Ω .

| | | |
|----------------------------------------------------------------|------------|-------|
| Heating time before application of high voltage (waiting time) | T_w min. | 120 s |
|----------------------------------------------------------------|------------|-------|

Immediately after applying the anode voltage the heater voltage must be reduced as a function of the anode current according to the diagram on page 14. The life of the magnetron will be greatest if the heater voltage is reduced to a value given by the fully drawn line a. The heater voltage should be adjusted within +5 and -10% as given by the dashed lines which border the hatched area.

If it is intended to design the equipment for a predetermined number of steps of output power level, the reduced heater voltage for each step must be set to a value within the area bordered by the lines b and c, and preferably within or close to the hatched area. In no circumstances should the heater voltage reach a value outside the limits given by the curves b and c.

The limits $V_f = 5.0$ V -10% and $T_w = 120$ s should not be used simultaneously. With V_f below the nominal value, T_w should be increased in linear proportion up to min. 180 s at $V_f = 5.0$ V -10%. It is also possible to preheat the tube at stand-by conditions if the waiting time is extended to at least 10 minutes.

TYPICAL CHARACTERISTICS

| | | |
|-------------------------------------------------------|-------|----------------------------------|
| Frequency, fixed within the band | f | 2.425 to 2.475 GHz ³⁾ |
| Anode voltage at $I_{a\ mean} = 750$ mA ¹⁾ | V_a | 4.45 to 4.85 kV ²⁾³⁾ |

1) Measured with moving coil instrument.
 2) Anode voltage measured with d.c.
 3) Measured at matched load (V.S.W.R. < 1.05).

COOLING

| | |
|-------------------------------|-------------------------------------------------------------|
| Anode block | water |
| Required quantity of water | see page 15 |
| Cathode radiator, via airduct | low-velocity air-flow
($> 0.2 \text{ m}^3/\text{min}$) |

TEMPERATURE LIMITS (Absolute max. rating system)
(See also operating notes)

| | |
|------------------------------------------------------------------|-------------------|
| Anode temperature at reference point for temperature measurement | t_a max. 125 °C |
| Cathode radiator temperature | max. 180 °C |

To safeguard the magnetron from overheating if the cooling fails, provision is made for mounting a thermoswitch. This switch should become operative at a temperature of 120 °C to 125 °C at the mounting plate.

MECHANICAL DATA

Weight

Net weight approx. 5.1 kg

Accessories

| | |
|--------------------------|------------|
| Cap nut | type 55312 |
| Spring ring | type 55313 |
| Heater connector | type 40634 |
| Heater/cathode connector | type 40649 |

Mounting position: any

DESIGN AND OPERATING NOTES

GENERAL DESIGN CONSIDERATIONS

The equipment should be designed around the tube specifications given in these data sheets and not around one particular tube since due to normal production variations the design parameters (V_a , R_{f_0} , f , W_0 etc.) will vary around the nominal values given.

ANODE SUPPLY

The magnetron should be operated from an unfiltered single-phase full-wave or three-phase half-wave supply. Operation with filtered d.c. is possible but will result in lower output power due to lower input power and a decrease in efficiency. The manufacturer should be consulted if operation with d.c. or other supply schemes, e.g. mains frequencies other than 50 or 60 Hz, not published in these data is considered.

In order to achieve constant output power and to avoid exceeding the limiting values of mean anode current a current regulating device such as a saturable core reactor is recommended.

In order to keep the peak anode current below its limits it will be necessary to incorporate either a limiting resistance or reactance in the power supply.

HEATER SUPPLY

The primary of the heater transformer must be high voltage isolated from the secondary since in normal magnetron operation the cathode will be at high negative potential and the anode should be grounded.

The transformer should be designed so that the heater voltage limits are adhered to.

STAND-BY OPERATION

In order to avoid the time-consuming warm-up period of the heater of 2-3 minutes when frequent switching of the tube is intended, the heater should be switched back to stand-by conditions after the oscillation period instead of being switched off completely. The tube then remains ready for instantaneous operation. This also serves to increase life of the tube.

COOLING

Overheating may seriously damage the tube. Therefore water must be supplied according to the cooling data diagram so that for the highest expected inlet temperature of the water adequate cooling of the tube will be guaranteed.

A closed-circuit cooling system can be used in order to save water and to become independent from a water tap.

Information on such a system is available on request.

Cooling of the cathode radiator must be assured by directing a moderate stream of air to the three disc-like cooling elements of the cathode structure.

In case of failure of the cooling system power should be switched off by means of a thermoswitch which can be mounted on a plate provided for this purpose (see outline drawing). In specifying the thermoswitch operating temperature the temperature drop across the thermoswitch holder should be taken into account with respect to the temperature limit. Information on suitable thermoswitches will be supplied upon request.

STABILITY OF OPERATING MODE (see also "operational checks")

Oscillation stability may be affected particularly by excessive microwave power reflections from the load, excessive peak anode currents, over- or underheating of the cathode, and by magnetic field changes. The resulting instability is referred to as "moding" of the tube and may lead to rapid failure. It should be a major design objective to keep the V.S.W.R. below the maximum limits for all possible load conditions. This problem is of particular importance in microwave ovens with their great variety of products to be heated. Further information concerning measures designed to avoid moding under various load conditions in specific equipment is available upon request.

MAGNETIC FIELD

When designing a power-pack and cabinet around the tube the influence of

1. ferromagnetic parts and
2. magnetically active components

on the magnetic field of the tube must be considered.

This is especially important when a very compact design (microwave oven) is desirable.

1. The following minimum distances must be maintained between the magnet and ferromagnetic parts (e.g. cavity or cabinet walls)

- | | |
|-----------------------------|------------------------|
| direction a - min. 60 mm) | see outline
drawing |
| direction b - min. 100 mm) | |
| direction c - min. 110 mm) | |

The simultaneous use of these minimum distances in two or three directions is not admissible.

2. Transformers and reactors incorporate rather large volumes of iron so that the limits mentioned under 1. apply. In addition they generate stray electro magnetic fields while in operation.

To limit changes of the magnetic field as far as possible the following measures are advised.

1. Use of non-magnetic stainless steel, aluminium or non-metallic plates for the cabinet walls.
2. Use of non-magnetic stainless steel, aluminium or brass for the cavity resonator or microwave circuit components near the tube.
3. Location of transformers and reactors as far as possible from the magnetron.

In particularly compact oven designs it is possible that magnetic field influences are such that removal of the magnet shunt plates (see outline drawing) provided for the purpose of magnetic field compensation may be necessary. These shunt plates may never be removed without consulting the manufacturer. Magnetrons without shunt plates may therefore only be operated in accordingly approved equipment in its normal operating condition.

If two or more tubes shall be operated close to each other the tube manufacturer should be consulted with regard to applicable limits.

COUPLING TO COAXIAL LINE OR WAVEGUIDE

The magnetron has a coaxial output coupling. In the section "output coupling", a dimensional drawing is given of a coaxial line which can be coupled to the magnetron.

If coupling directly to a waveguide is desired, the inner conductor of the output coupling can be extended by an antenna. The outer conductor can then be screwed to its ring-shaped counterpart that normally is soldered to the waveguide wall. Dimensional drawings of such a coaxial-to-waveguide transition can be supplied upon request.

It is advised that antennas be gold-plated to ensure best contact and to facilitate loosening when the magnetron needs to be replaced.

FIXED REFLECTION ELEMENTS

For operation B a fixed reflection element must be joined to the magnetron output coupling. The shorter of the two elements drawn in this publication allows a more compact design. The longer of the two elements is of a simpler all-metal construction and does not comprise a teflon ring susceptible to temperature variations.

For operation C such an element may also be used when the overall mismatch of the cavity is not higher than a V.S.W.R. of approx. 2 in the phase-of-sink region. This serves to move the operating point of the tube to a region of more efficient operation.

RF SHIELDING

Where required, R.F. radiation from the filament terminals may be reduced by external filtering and/or shielding. Two holes with thread M5 are provided for mounting a filter. Detailed information may be readily obtained from the manufacturer.

SUPPORT

In the equipment the tube should be mounted by fastening the magnet yoke to a supporting structure. Two holes with thread M6 are provided in each yoke for this purpose. Adjusting possibilities must be allowed so that the output coupling of the tube can be fitted to the coaxial line or waveguide without exerting mechanical strain. This is especially important for the replacement procedure in the field.

The tube should never be supported by the output coupling alone.

HANDLING, STORAGE, MOUNTING, AND OPERATIONAL CHECKS

HANDLING AND STORAGE

The original packing should be used for transporting and storing the tube. Shipment of the tube mounted in the equipment is not permitted unless specifically authorized by the tube manufacturer.

The strong magnetic field necessary for the operation of the tube must not be weakened permanently. Therefore the tube should never be placed directly on any piece of ferromagnetic material (steel shelves etc.). The best protection for the tube is its original packing. When the tubes have to be unpacked, e.g. at an assembly line or for measuring purposes, care should be taken that the tubes are not placed closer to each other than they would be placed when still packed.

Watches and sensitive measuring instruments may be influenced and damaged by exposure to the magnetic field.

The RF output coupling should be kept carefully clean, since foreign matter, especially metal particles inside the coaxial line and dirt on the ceramic insulator may cause electrical breakdown during high-power operation. Cleanliness should be checked and the coupling cleaned if necessary.

The magnetron should never be held by the cathode radiator because this might result in mechanical damage to the tube.

MOUNTING

All tools (screwdrivers, wrenches etc.) used close to or in contact with the magnetron should be made of non-magnetic material (e.g. beryllium copper, brass or plastics) to avoid unwanted attraction and possible mechanical damage to glass or ceramic parts as well as short-circuiting of the magnetic flux.

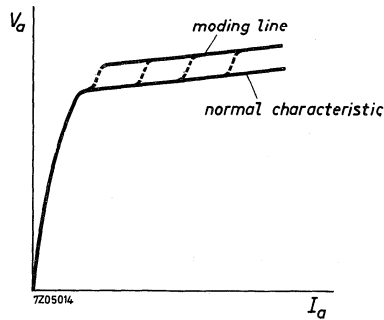
OPERATIONAL CHECKS

Excessive V.S.W.R. and/or current may lead to moding of the magnetron (see "stability of operating mode") which can be detected by displaying the V_a/I_a characteristic of the magnetron on an oscilloscope.

This should be done in the equipment at various load conditions and should be part of production line inspection as well as of field service inspection before and after tube replacement.

For x-y display on a service oscilloscope the anode voltage can be sampled from a voltage divider chain connected between ground and the cathode connector, and the anode current from a sampling resistor of a few ohms which may be permanently including into the ground connection of the high-voltage rectifier.

The normal characteristic should be one fairly straight line that may be a little wavy. Appearance of a second line or parts thereof above the first line indicate undesired modes of oscillation that can rapidly lead to failure of the tube. Operating conditions indicated V.S.W.R. must at once be checked and the tube replaced if under correct conditions moding still continues.



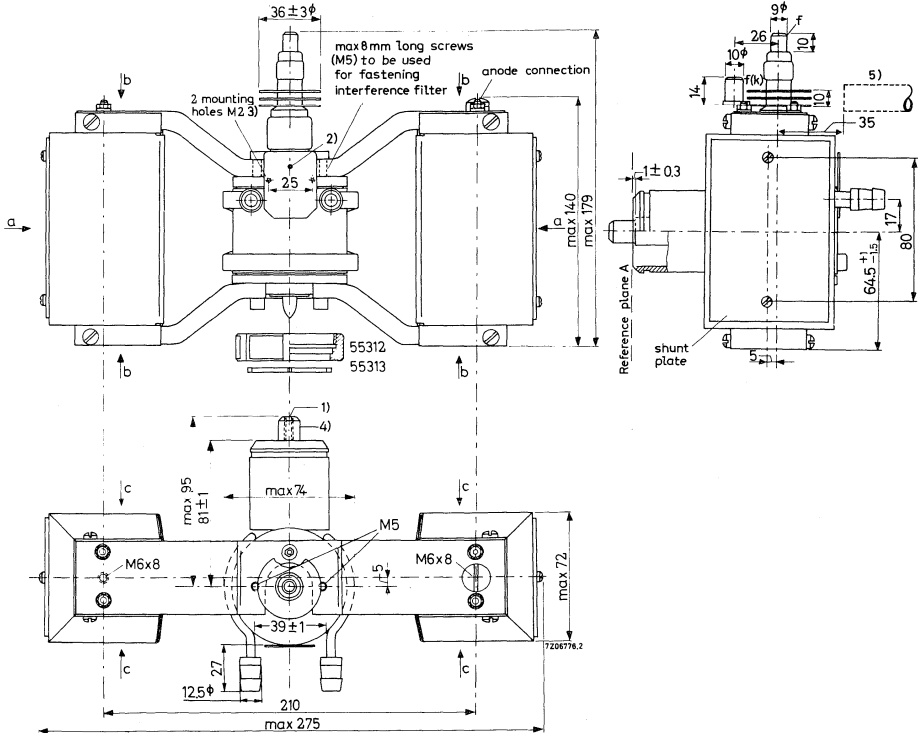
X-Y display of magnetron characteristic
(unfiltered supply)

The mean current may be measured indirectly across the above mentioned resistor.

MECHANICAL DATA

Dimensions in mm

Outline drawing



- 1) Axial hole for short antenna: M4, depth 9 mm minimum.
- 2) Reference point for temperature measurements.
- 3) Mounting holes for thermoswitch.
- 4) Excentricity of inner conductor with respect to the outer conductor max. 0.4 mm.
- 5) Non-metallic circular air duct, inner diameter 13 mm.

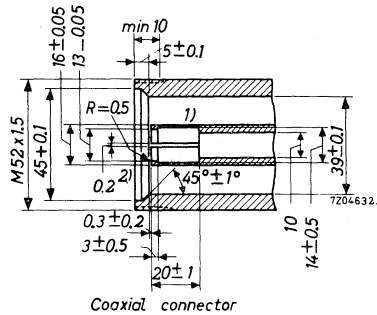
OUTPUT COUPLING

The tube may be coupled by suitable means to a coaxial line or waveguide, either directly or through a fixed reflection elements.

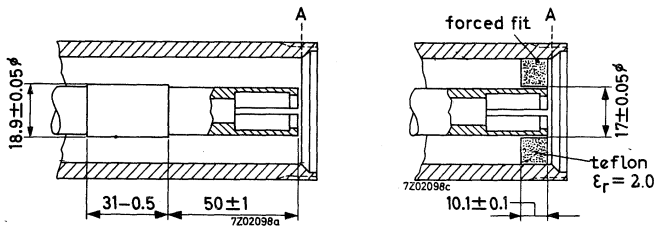
16/39 Coaxial line ³⁾ (characteristic impedance 53.4 Ω)

(See operating notes)

Dimensions in mm



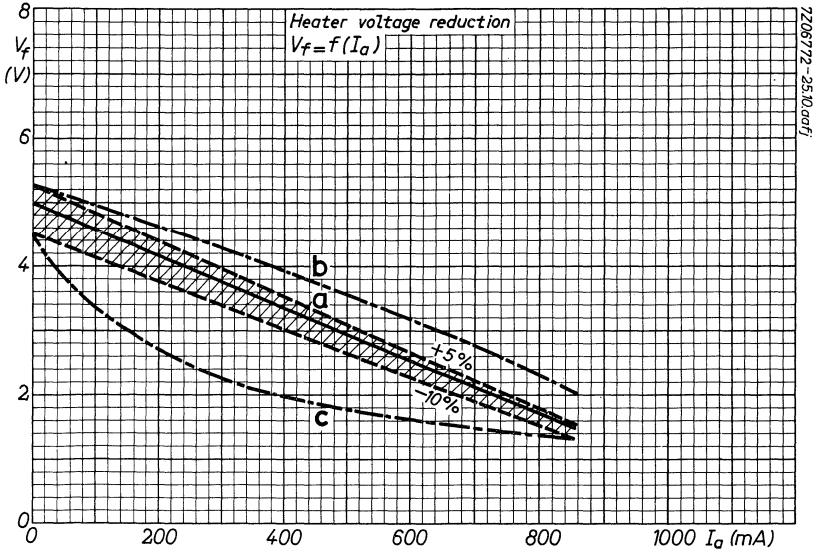
Fixed reflection elements ³⁾ V.S.W.R. approx. 1.5, d approx. 0.41λ (examples). (See operating notes).

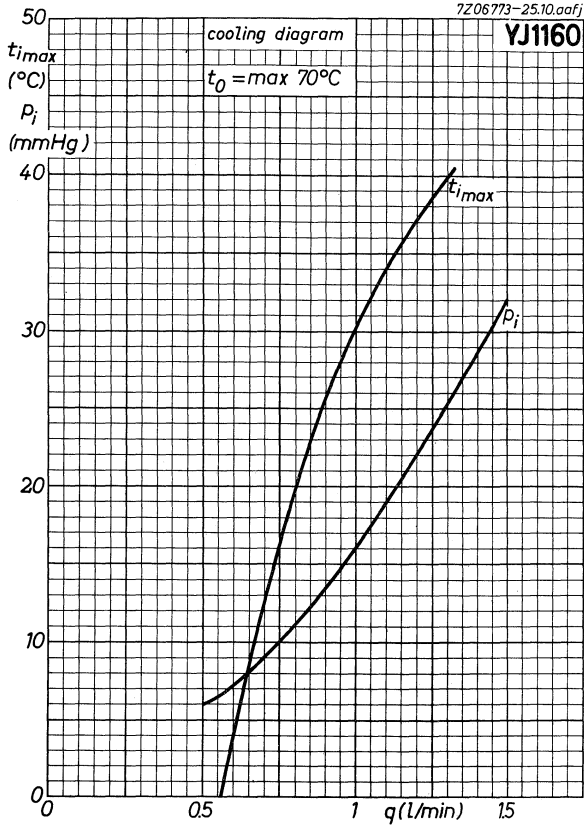


1) The inner conductor must be movable to accept the tolerances of the tube.

2) 6 Slots 0.2 mm; the wall segments should be deburred and be pressed together after slotting.

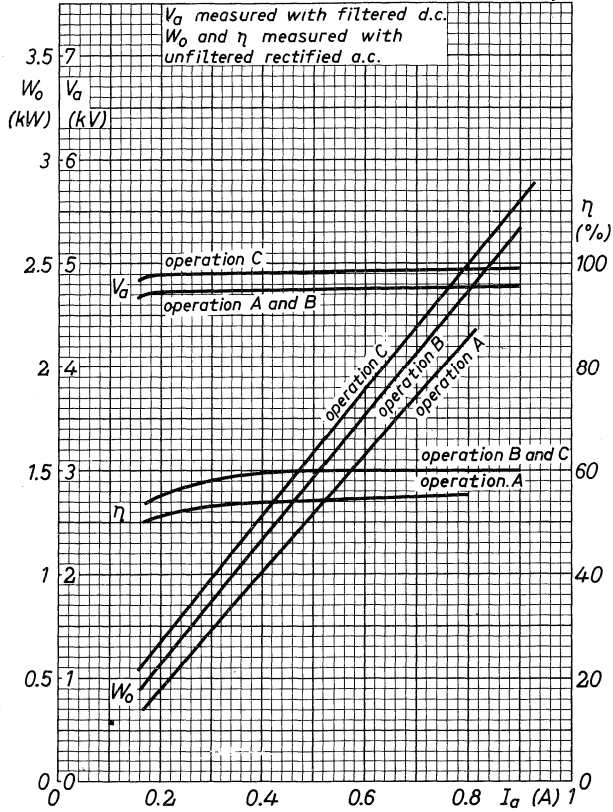
3) Not supplied by tube manufacturer.

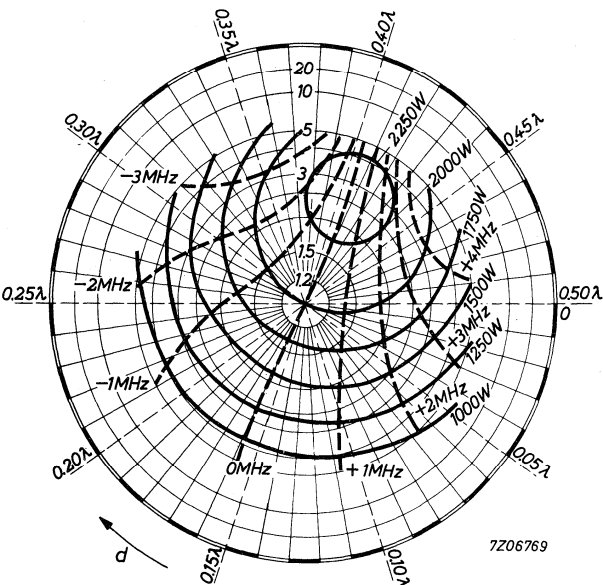




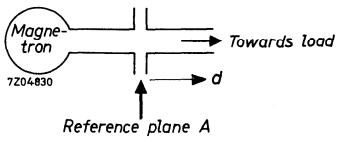
Performance chart

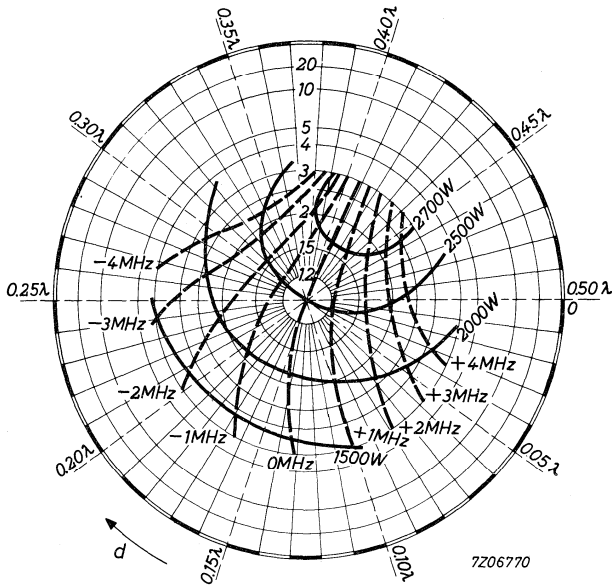
7Z06774-25.10.aafj.



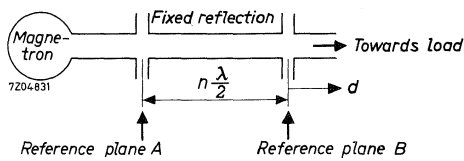


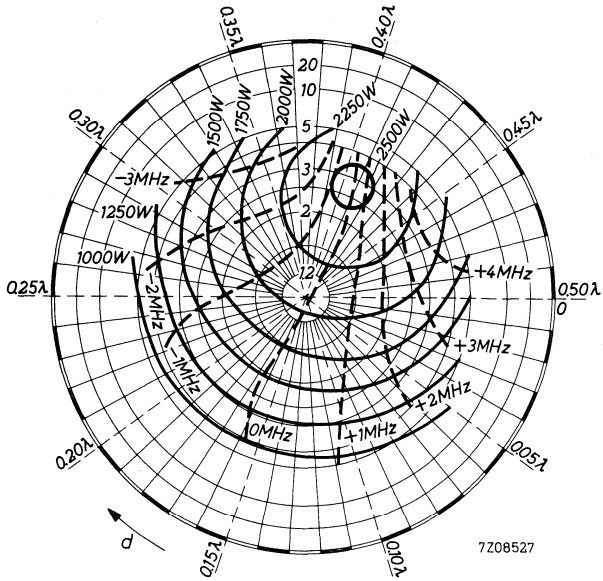
Load diagram Operation A
Mean anode current 0.75A
Peak anode current 2A
d = distance of standing wave minimum
from reference plane A towards load
Temperature at reference point 85°C





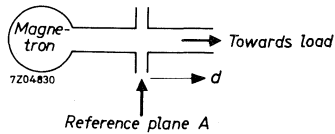
Load diagram Operation B
 Mean anode current 0.85A
 Peak anode current 2A
 Fixed reflection VSWR = 1.5 $d = 0.41\lambda$
 d = distance of standing wave minimum
 from reference plane B towards load
 Temperature at reference point 85°C





Load diagram Operation C
 Mean anode current 0.8A
 Peak anode current 2A

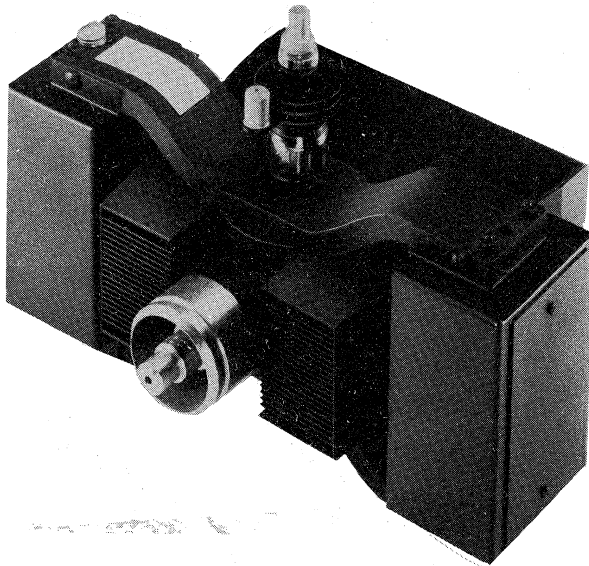
d = distance of standing wave minimum
 from reference plane A towards load
 Temperature at reference point 85°C



CONTINUOUS-WAVE MAGNETRON

Continuous-wave air-cooled packaged magnetron intended for microwave heating applications. It can produce up to 2.5 kW under various typical operating conditions.

| QUICK REFERENCE DATA | | | |
|----------------------------------|-------|-----------------------------------------------------------------------------|----------|
| Frequency, fixed within the band | f | 2.425 to 2.475 | GHz |
| Output power | W_0 | 2.0 or 2.5 | kW |
| Construction | | | packaged |
| Anode supply | | unfiltered single-phase full-wave or
three-phase half-wave rectification | |



A 53763 2

CATHODE: Dispenser type

HEATING: Indirect by A. C. (50 to 60 Hz) or D. C.

| | | | |
|---------------------------------------------------|----------|---------------------------|--------------|
| Heater voltage, starting | V_{f0} | 5.0 V | + 5%
-10% |
| Heater voltage, stand-by
(see operating notes) | V_f | 4.8 V | + 5%
-10% |
| Heater current at $V_f = 5.0$ V | I_f | approx. 35 A
max. 38 A | |

The heater current should never exceed a peak value of 140 A when applying the heater voltage. The cold heater resistance is approx. 0.02 Ω .

Heating time before application

of high voltage (waiting time) at $V_f = 5.0$ V T_w min. 120 s

Immediately after applying the anode voltage the heater voltage must be reduced as a function of the anode current according to the diagram on page 14. The life of the magnetron will be greatest if the heater voltage is reduced to a value given by the fully drawn line a. The heater voltage should be adjusted within +5 and -10% as given by the dashed lines which border the hatched area.

If it is intended to design the equipment for a predetermined number of steps of output power level, the reduced heater voltage for each step must be set to a value within the area bordered by the lines b and c, and preferably within or close to the hatched area. In no circumstances should the heater voltage reach a value outside the limits given by the curves b and c.

The limits $V_f = 5.0$ V -10% and $T_w = 120$ s should not be used simultaneously. With V_f below the nominal value, T_w should be increased in linear proportion up to min. 180 s at $V_f = 5.0$ V -10%. It is also possible to preheat the tube at stand-by conditions if the waiting time is extended to at least 10 minutes.

TYPICAL CHARACTERISTICS

| | | |
|----------------------------------------------------|-------|----------------------------------|
| Frequency, fixed within the band | f | 2.425 to 2.475 GHz ³⁾ |
| Anode voltage at I_a mean = 750 mA ¹⁾ | V_a | 4.45 to 4.85 kV ²⁾³⁾ |

¹⁾ Measured with moving coil instrument.

²⁾ Anode voltage measured with d. c.

³⁾ Measured at matched load (V. S. W. R. < 1.05).

B. OPERATION WITH $W_o = 2.5 \text{ kW}$ (Load diagram see page 18)

A fixed reflection element with a V.S.W.R. of 1.5 and a phase position of 0.41λ should be inserted between magnetron and load. (Example see output coupling).

Limiting values (Absolute max. rating system)

| | | |
|-------------------------------------------|----------|------------|
| Anode current, mean ¹⁾ | I_a | max. 0.9 A |
| | | min. 0.1 A |
| peak | I_{ap} | max. 2.1 A |
| Voltage standing-wave ratio ⁴⁾ | | |
| at $0.37 \lambda < d < 0.44 \lambda$ | V.S.W.R. | max. 2.5 |
| remaining region | V.S.W.R. | max. 4.0 |

Typical operation (into a matched load) ⁴⁾

| | | |
|-----------------------------------|----------|----------------------|
| Heater voltage, running | V_f | 1.5 V |
| Anode current, mean ¹⁾ | I_a | 0.85 A |
| peak | I_{ap} | 2.0 A |
| Anode voltage ²⁾ | V_a | 4.8 kV |
| Output power | W_o | 2.5 kW ³⁾ |
| Efficiency | η | approx. 60 % |

¹⁾ Measured with moving coil instrument.

²⁾ Anode voltage measured with d.c.

³⁾ Minimum output 2.3 kW.

⁴⁾ With respect to reference plane B of fixed reflection element.

C. OPERATION WITH $W_o = 2.5$ kW FOR MICROWAVE OVENS(Load diagram see page 19). The average V.S.W.R. should be 3 at $d = 0.41 \lambda$.Limiting values (Absolute max. rating system)

| | | |
|-------------------------------------------------------------------|----------|---------------------------|
| Anode current, mean ¹⁾ | I_a | max. 0.85 A
min. 0.1 A |
| peak | I_{ap} | max. 2.1 A |
| Voltage standing-wave ratio | | |
| at $0.30 \lambda < d < 0.50 \lambda$ | V.S.W.R. | max. 4.0 |
| intermittent ($T = \text{max. } 0.02$ s
max. 20% of the time) | V.S.W.R. | max. 10 ⁴⁾ |
| remaining phase region | V.S.W.R. | max. 4.0 |

Typical operation

| | | |
|--------------------------------------|----------|----------------------|
| Heater voltage, running | V_f | 1.8 V |
| Anode current, mean ¹⁾ | I_a | 0.80 A |
| peak | I_{ap} | 2.0 A |
| Anode voltage ²⁾⁵⁾ | V_a | 4.95 kV |
| Voltage standing-wave ratio, average | | |
| at $0.30 \lambda < d < 0.50 \lambda$ | V.S.W.R. | 3 |
| Output power | W_o | 2.5 kW ³⁾ |
| Efficiency | η | approx. 60 % |

¹⁾ Measured with moving coil instrument.²⁾ Anode voltage measured with d.c.³⁾ Minimum output 2.3 kW.⁴⁾ The average reflected power for any one-second period must not exceed the reflected power equivalent to a V.S.W.R. of 4. When operating under these conditions, the tube should not be permitted to mode.⁵⁾ Measured at V.S.W.R. = 3 and $d = 0.41 \lambda$.

COOLING

| | |
|-------------------------------|------------------------------------------------------|
| Anode block | forced air |
| Required quantity of air | see page 15 |
| Cathode radiator, via airduct | low velocity air-flow
(> 0.2 m ³ /min) |

TEMPERATURE LIMITS (Absolute max. rating system)
(See also operating notes)

| | | |
|---------------------------------------------------------------------|-------|-------------|
| Anode temperature at reference
point for temperature measurement | t_a | max. 125 °C |
| Cathode radiator temperature | | max. 180 °C |

To safeguard the magnetron from overheating if the cooling fails, provision is made for mounting a thermoswitch. This switch should become operative at a temperature of 105 °C to 110 °C at the mounting plate.

MECHANICAL DATA

Weight

| | |
|------------|----------------|
| Net weight | approx. 7.9 kg |
|------------|----------------|

Accessories

| | |
|--------------------------|------------|
| Cap nut | type 55312 |
| Spring ring | type 55313 |
| Heater connector | type 40634 |
| Heater/cathode connector | type 40649 |

Mounting position: any

DESIGN AND OPERATING NOTES

GENERAL DESIGN CONSIDERATIONS

The equipment should be designed around the tube specifications given in these data sheets and not around one particular tube since due to normal production variations the design parameters (V_a , R_{f0} , f , W_0 etc.) will vary around the nominal values given.

ANODE SUPPLY

The magnetron should be operated from an unfiltered single-phase full-wave or three-phase half-wave supply. Operation with filtered d.c. is possible but will result in lower output power due to lower input power and a decrease in efficiency. The manufacturer should be consulted if operation with d.c. or other supply schemes, e.g. mains frequencies other than 50 or 60 Hz, not published in these data is considered.

In order to achieve constant output power and to avoid exceeding the limiting values of mean anode current a current regulating device such as a saturable core reactor is recommended.

In order to keep the peak anode current below its limits it will be necessary to incorporate either a limiting resistance or reactance in the power supply.

HEATER SUPPLY

The primary of the heater transformer must be high voltage isolated from the secondary since in normal magnetron operation the cathode will be at high negative potential and the anode should be grounded.

The transformer should be designed so that the heater voltage limits are adhered to.

STAND-BY OPERATION

In order to avoid the time-consuming warm-up period of the heater of 2-3 minutes when frequent switching of the tube is intended, the heater should be switched back to preheat conditions after the oscillation period instead of being switched off completely. The tube then remains ready for instantaneous operation. This also serves to increase life of the tube.

COOLING

Overheating may seriously damage the tube. Therefore forced air must be supplied according to the cooling data diagram so that for the highest expected inlet air temperature and for the highest possible ambient temperature adequate cooling of the tube will be guaranteed. It is recommended to use inlet temperatures below 40 °C.

The cooling air must be free from dirt and grease. Before installing a tube it must be checked that the ducts of the cooler are clean and free from foreign particles.

Cooling of the cathode radiator must be assured by directing a moderate stream of air to the three disc-like cooling elements of the cathode structure. This may be realized by means of a by-pass duct from the main stream of cooling air.

In case of failure of the cooling system power should be switched off by means of a thermostwitch which can be mounted on the cooling fins (see outline drawing). In specifying the thermostwitch operating temperature the temperature drop across the thermostwitch holder should be taken into account with respect to the temperature limit.

Information on suitable thermostwitches will be supplied upon request.

STABILITY OF OPERATING MODE (see also "operational checks")

Oscillation stability may be affected particularly by excessive microwave power reflections from the load, excessive peak anode currents, over- or underheating of the cathode, and by magnetic field changes. The resulting instability is referred to as "moding" of the tube and may lead to rapid failure. It should be a major design objective to keep the V.S.W. R. below the maximum limits for all possible load conditions. This problem is of particular importance in microwave ovens with their great variety of products to be heated. Further information concerning measures designed to avoid moding under various load conditions in specific equipment is available upon request.

MAGNETIC FIELD

When designing a power-pack and cabinet around the tube the influence of

- 1. ferromagnetic parts and
- 2. magnetically active components

on the magnetic field of the tube must be considered.

This is especially important when a very compact design (microwave oven) is desirable.

- 1. The following minimum distances must be maintained between the magnet and ferromagnetic parts (e.g. cavity or cabinet walls)

- direction a - min. 60 mm)
- direction b - min. 100 mm) see outline
- direction c - min. 110 mm) drawing

The simultaneous use of these minimum distances in two or three directions is not admissible.

2. Transformers and reactors incorporate rather large volumes of iron so that the limits mentioned under 1. apply. In addition they generate stray electro magnetic fields while in operation.

To limit changes of the magnetic field as far as possible the following measures are advised:

1. Use of non-magnetic stainless steel, aluminium or non-metallic plates for the cabinet walls.
2. Use of non-magnetic stainless steel, aluminium or brass for the cavity resonator or microwave circuit components near the tube.
3. Location of transformers and reactors as far as possible from the magnetron.

In particularly compact oven designs it is possible that magnetic field influences are such that removal of the magnet shunt plates (see outline drawing) provided for the purpose of magnetic field compensation may be necessary. These shunt plates may never be removed without consulting the manufacturer. Magnetrons without shunt plates may therefore only be operated in accordingly approved equipment in its normal operating condition.

If two or more tubes shall be operated close to each other the tube manufacturer should be consulted with regard to the applicable limits.

COUPLING TO COAXIAL LINE OR WAVEGUIDE

The magnetron has a coaxial output coupling. In the section "output coupling", a dimensional drawing is given of a coaxial line which can be coupled to the magnetron.

If coupling directly to a waveguide is desired, the inner conductor of the output coupling can be extended by an antenna. The outer conductor can then be screwed to its ring-shaped counterpart that normally is soldered to the waveguide wall. Dimensional drawings of such a coaxial-to-waveguide transition can be supplied upon request.

It is advised that antennas be gold-plated to ensure best contact and to facilitate loosening when the magnetron needs to be replaced.

FIXED REFLECTION ELEMENTS

For operation B a fixed reflection element must be joined to the magnetron output coupling. The shorter of the two elements drawn in this publication allows a more compact design. The longer of the two elements is of a simpler all-metal construction and does not comprise a teflon ring susceptible to temperature variations.

For operation C such an element may also be used when the overall mismatch of the cavity is not higher than a V.S.W.R. of approx. 2 in the phase-of-sink region. This serves to move the operating point of the tube to a region of more efficient operation.

RF SHIELDING

Where required, R.F. radiation from the filament terminals may be reduced by external filtering and/or shielding. Two holes with thread M5 are provided for mounting a filter. Detailed information may be readily obtained from the manufacturer.

SUPPORT

In the equipment the tube should be mounted by fastening the magnet yoke to a supporting structure. Two holes with thread M6 are provided in each yoke for this purpose. Adjusting possibilities must be allowed so that the output coupling of the tube can be fitted to the coaxial line or waveguide without exerting mechanical strain. This is especially important for the replacement procedure in the field.

The tube should never be supported by the output coupling alone.

HANDLING, STORAGE, MOUNTING, AND OPERATIONAL CHECKS

HANDLING AND STORAGE

The original packing should be used for transporting and storing the tube. Shipment of the tube mounted in the equipment is not permitted unless specifically authorized by the tube manufacturer.

The strong magnetic field necessary for the operation of the tube must not be weakened permanently. Therefore the tube should never be placed directly on any piece of ferromagnetic material (steel shelves etc.). The best protection for the tube is its original packing. When the tubes have to be unpacked, e.g. at an assembly line or for measuring purposes, care should be taken that the tubes are not placed closer to each other than they would be placed when still packed.

Watches and sensitive measuring instruments may be influenced and damaged by exposure to the magnetic field.

The RF output coupling should be kept carefully clean, since foreign matter, especially metal particles inside the coaxial line and dirt on the ceramic insulator may cause electrical breakdown during high-power operation. Cleanliness should be checked and the coupling cleaned if necessary.

The magnetron should never be held by the cathode radiator because this might result in mechanical damage to the tube.

MOUNTING

All tools (screwdrivers, wrenches etc.) used close to or in contact with the magnetron should be made of non-magnetic material (e.g. beryllium copper, brass or plastics) to avoid unwanted attraction and possible mechanical damage to glass or ceramic parts as well as short-circuiting of the magnetic flux.

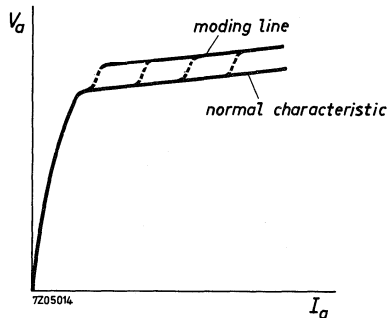
OPERATIONAL CHECKS

Excessive V.S.W.R. and/or current may lead to moding of the magnetron (see "stability of operating mode") which can be detected by displaying the V_a/I_a characteristic of the magnetron on an oscilloscope.

This should be done in the equipment at various load conditions and should be part of production line inspection as well as of field service inspection before and after tube replacement.

For x-y display on a service oscilloscope the anode voltage can be sampled from a voltage divider chain connected between ground and the cathode connector, and the anode current from a sampling resistor of a few ohms which may be permanently inserted into the ground connection of the high-voltage rectifier.

The normal characteristic should be one fairly straight line that may be a little wavy. Appearance of a second line or parts thereof above the first line indicate undesired modes of oscillation that can rapidly lead to failure of the tube. Operating conditions including V.S.W.R. must at once be checked and the tube replaced if under correct conditions moding still continuous.



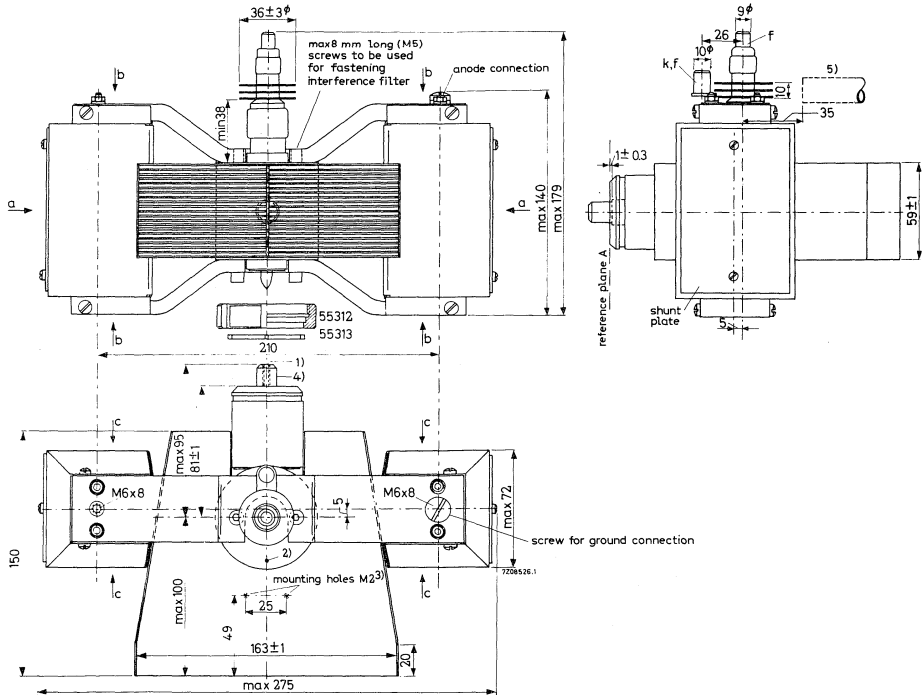
X-Y display of magnetron characteristic
(unfiltered supply)

The mean current may be measured indirectly across the above mentioned resistor.

MECHANICAL DATA

Dimensions in mm

Outline drawing



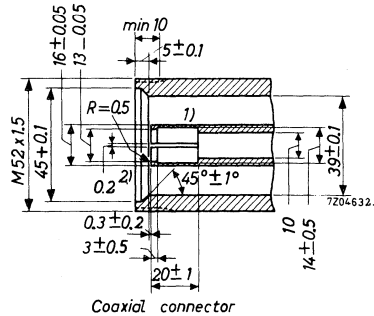
- 1) Axial hole for short antenna: M4, depth 9 mm minimum.
- 2) Reference point for temperature measurements.
- 3) Mounting holes for thermoswitch.
- 4) Excentricity of inner conductor with respect to the outer conductor max. 0.4 mm.
- 5) Non-metallic circular air duct, inner diameter 13 mm.

OUTPUT COUPLING

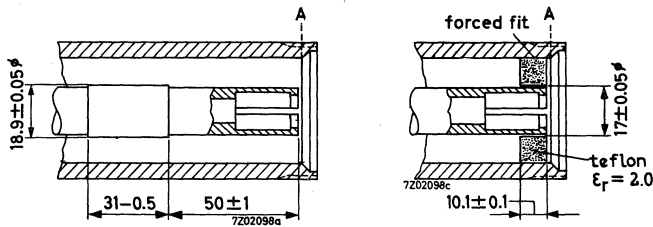
The tube may be coupled by suitable means to a coaxial line or waveguide, either directly or through a fixed reflection element.

16/39 coaxial line ³⁾ (characteristic impedance 53.4 Ω).
(See operating notes)

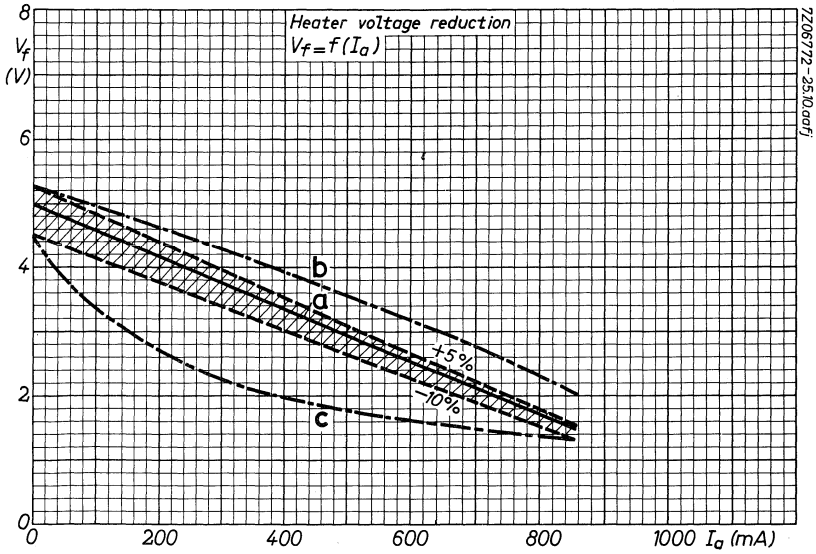
Dimensions in mm

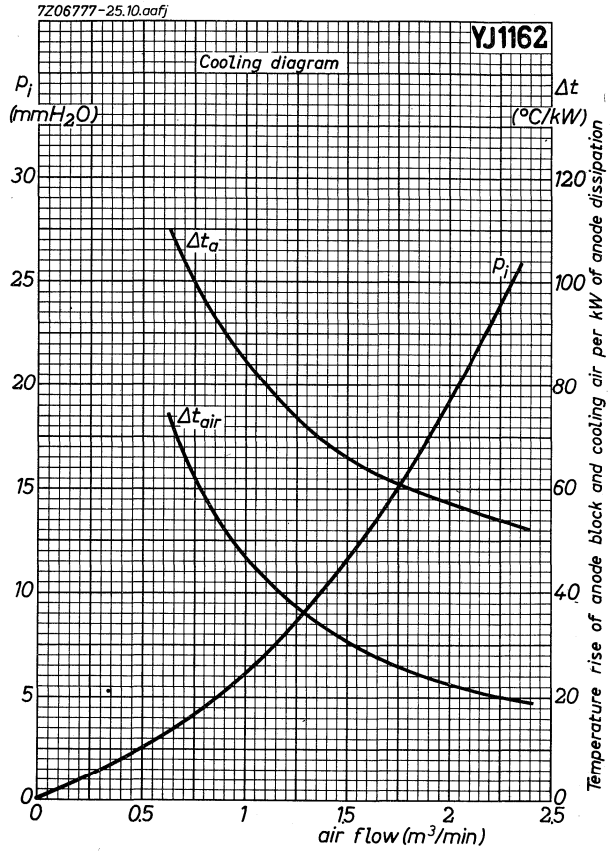


Fixed reflection elements ³⁾ V.S.W.R. approx. 1.5, d approx. 0.41 λ (examples). (See operating notes).



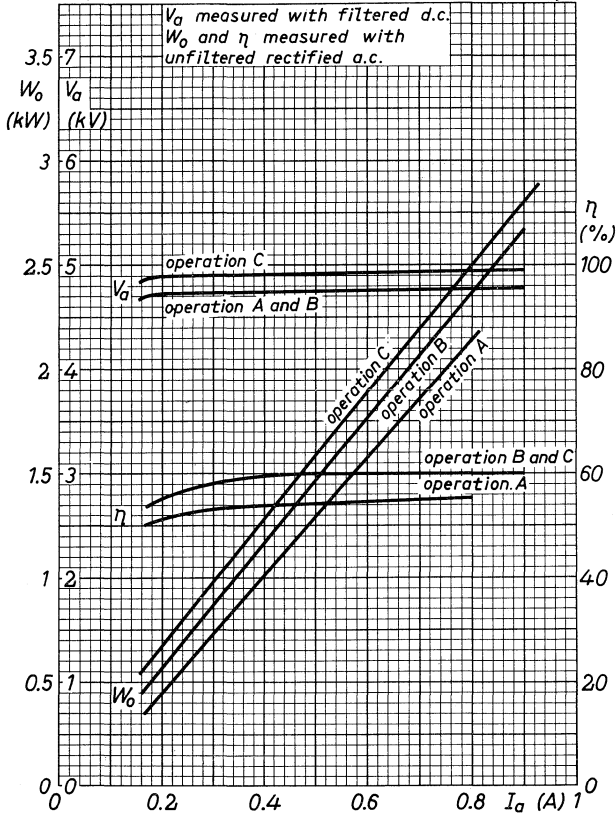
- 1) The inner conductor must be movable to accept the tolerances of the tube.
- 2) 6 Slots 0.2 mm; the wall segments should be deburred and be pressed together after slotting.
- 3) Not supplied by tube manufacturer.

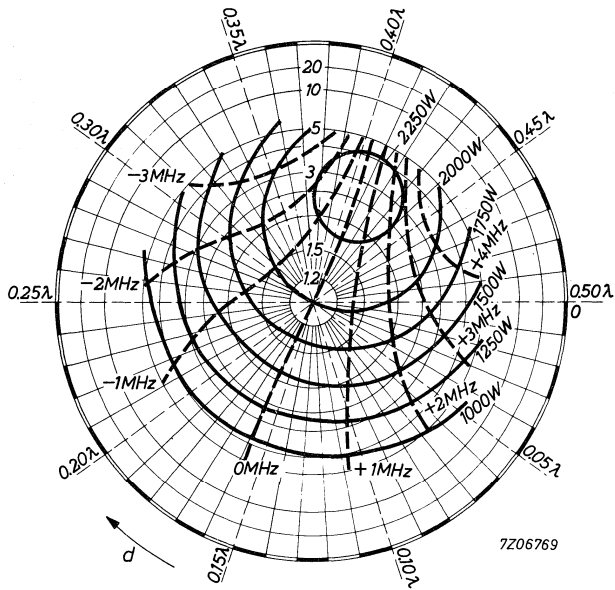




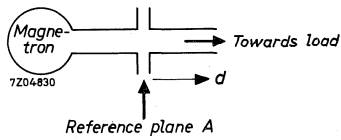
Performance chart

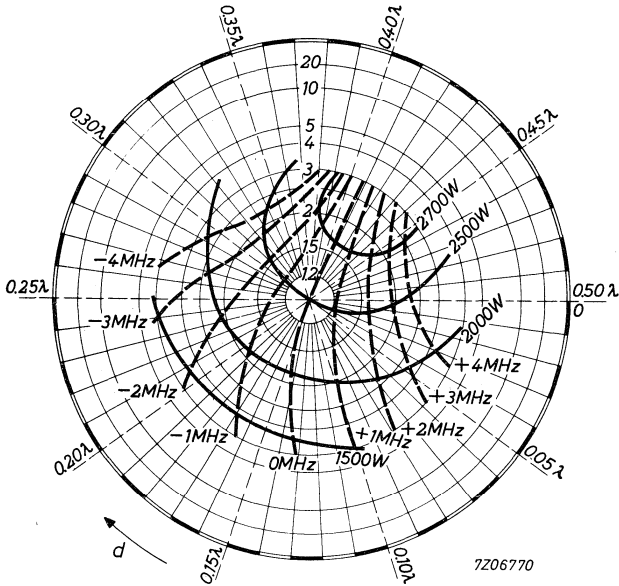
7206774-25.10.aafj.



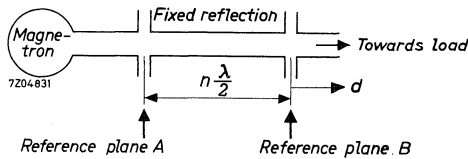


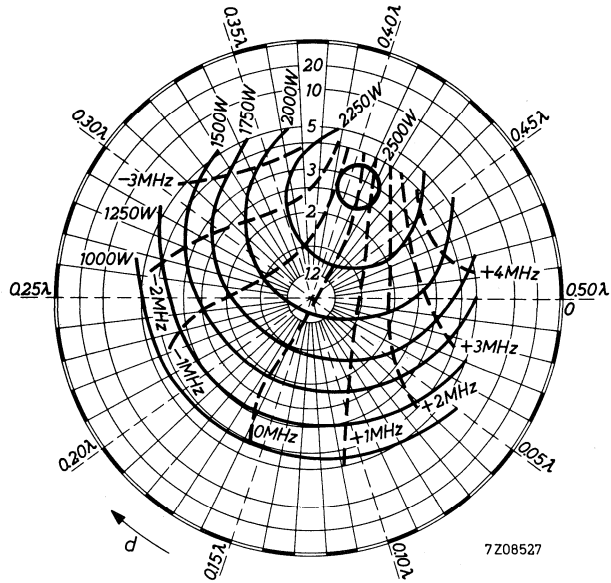
Load diagram Operation A
 Mean anode current 0.75A
 Peak anode current 2A
 d = distance of standing wave minimum
 from reference plane A towards load
 Temperature at reference point 95°C





Load diagram Operation B
 Mean anode current 0.85A
 Peak anode current 2A
 Fixed reflection VSWR = 15 $d = 0.41\lambda$
 d = distance of standing wave minimum
 from reference plane B towards load
 Temperature at reference point 95°C

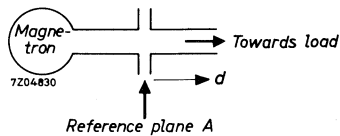




Load diagram Operation C
 Mean anode current 0.8A
 Peak anode current 2A

d = distance of standing wave minimum
 from reference plane A towards load

Temperature at reference point 95°C



CONTINUOUS-WAVE MAGNETRON

Continuous-wave water and air-cooled packaged magnetron intended for microwave heating applications.

QUICK REFERENCE DATA

| | | | |
|----------------------------------|-------|-------------------------------------------------------------------------|----------|
| Frequency, fixed within the band | f | 2.425 to 2.475 | GHz |
| Output power | W_o | 5 | kW |
| Construction | | | packaged |
| Anode supply | | unfiltered three-phase half-wave or three-phase full-wave rectification | |

CATHODE: Dispenser type

HEATING

Indirect by A.C. 50 or 60 Hz or D.C.

| | | | |
|---------------------------------------|-----------|------------|-------------|
| Heater voltage, starting and stand-by | V_{f_0} | 5.5 V | +5%
-10% |
| Heater current at $V_f = 5.5$ V | I_{f_0} | approx. 66 | A |

The heater current should never exceed a peak value of 280 A when applying the heater voltage. The cold heater resistance is approx. 0.01 Ω .

Heating time before application
of high voltage (waiting time)

T_w min. 240 s

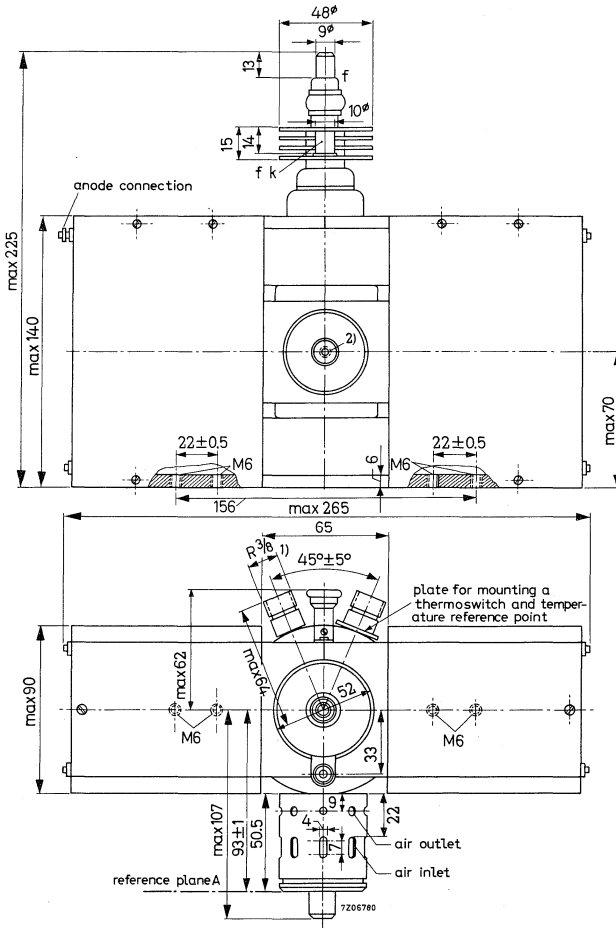
The heater voltage must be reduced immediately after applying the anode voltage according to the following schedule:

| | | |
|-----------------------|-------|-------|
| $I_a = 300$ to 500 mA | V_f | 3.5 V |
| $I_a \geq 500$ mA | V_f | 1.0 V |

MECHANICAL DATA

Dimensions in mm

Outline drawing



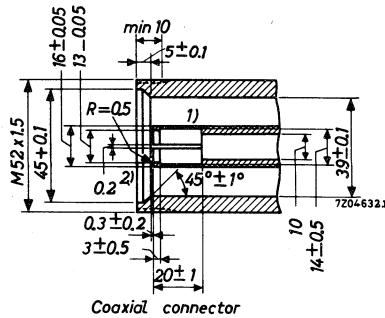
1) To be connected to hose nipple (DIN44415) for 9 mm hose with cap nut (CR3/8" DIN8542 Ms).

2) Axial hole for short antenna: M4 depth 9 mm min.

OUTPUT COUPLING

The tube may be coupled by suitable means to a coaxial line or waveguide.

16/39 Coaxial line (Characteristic impedance 53.4Ω)³⁾



- 1) The inner conductor should be movable to accept the tolerance of the tube.
- 2) 6 Slots 0.2 mm; the wall segments should be deburred and be pressed together after slotting.
- 3) Not supplied by manufacturer.

Mounting position: any

Weight

Net weight approx. 9.4 kg

Accessories

Heater type 40634

Heater/cathode connector type 40649

Cap nut type 55312

Spring ring type 55313

COOLING

Anode block water

Cathode radiator low-velocity air flow

R.F. output system air flow of min. 0.1 m³/min.

To safeguard the magnetron from overheating if the cooling fails, provision is made for mounting a thermoswitch. This switch should become operative at a temperature of 120 to 125 °C of the mounting plate.

The R.F. output system of the magnetron is provided with air inlet and outlet holes for the application of at least 0.1 m³/min. of cooling air to the ceramic part inside the outer conductor.

The cooling air must be free from dust, water, and oil.

TEMPERATURE LIMITS

Anode temperature at reference point t_a max. 125 °C

Temperature of cathode radiator max. 180 °C

TYPICAL CHARACTERISTICS

| | | |
|---------------------------------------------------------|-------|-----------------------|
| Frequency, fixed within the band | f | 2.425 to 2.475 GHz 4) |
| Anode voltage at $I_a \text{ mean} = 1.25 \text{ A}$ 1) | V_a | 6.8 to 7.2 kV 2)4) |

LIMITING VALUES AND OPERATING CHARACTERISTICS

The anode supply unit should be so designed that for any operating condition no limiting value for the mean and peak anode current will be exceeded.

The anode voltage should be obtained from a three-phase half-wave or three-phase full-wave rectified supply without smoothing filter.

LIMITING VALUES (Absolute max. rating system)

| | | |
|-----------------------------|----------|------------|
| Anode current, mean 1) | I_a | max. 1.3 A |
| three-phase half-wave | I_a | min. 0.3 A |
| three-phase full-wave | I_a | min. 0.6 A |
| peak | I_{ap} | max. 2.7 A |
| Voltage standing wave ratio | V.S.W.R. | max. 2.5 |

TYPICAL OPERATION (three-phase half-wave rectified power supply)

| | | |
|------------------------|----------|---------------------------------------------------|
| Heater voltage | V_f | 1.0 V $\begin{matrix} +5\% \\ -10\% \end{matrix}$ |
| Anode current, mean 1) | I_a | 1.25 A |
| peak | I_{ap} | 2.6 A |
| Anode voltage | V_a | 7.0 kV |
| Output power | W_o | 5.0 kW 3)4) |
| Efficiency | η | 60 % |

1) Measured with moving-coil instrument

2) Anode voltage measured with D.C.

3) Minimum output 4.65 kW

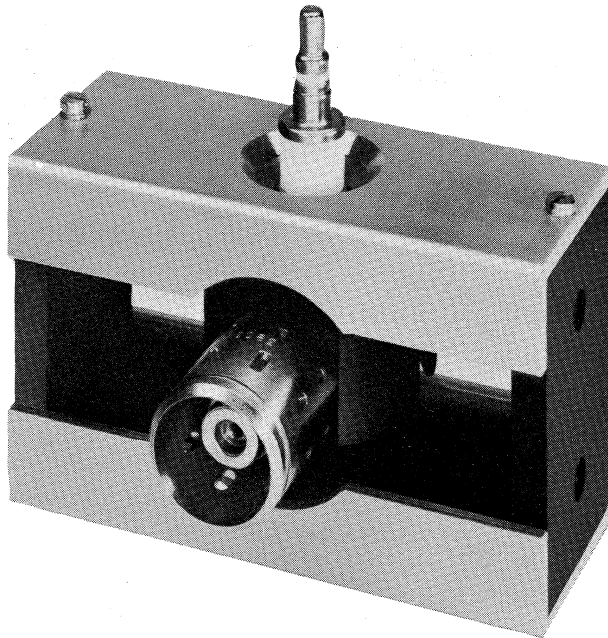
4) Measured at matched load (V.S.W.R. < 1.1)

CONTINUOUS-WAVE MAGNETRON

Continuous-wave metal-ceramic water and air-cooled packaged magnetron intended for microwave heating applications. It can produce up to 5.5 kW under typical operating conditions.

QUICK REFERENCE DATA

| | | | |
|----------------------------------|-------|----------------|-----|
| Frequency, fixed within the band | f | 2.425 to 2.475 | GHz |
| Output power | W_0 | 5.5 | kW |
| Construction | | packaged | |



A 53763 5

Data based on pre-production tubes.

CATHODE: Thoriated tungsten

HEATING: direct by A.C. (50 Hz or 60 Hz) or D.C. 1)

| | | |
|--------------------------------------------------------|----------|---------------------------|
| Filament voltage, starting and stand-by | V_f | 5.5 V $\pm 10\%$ |
| Filament current at $V_f = 5.5$ V and $V_a = 0$ V | I_f | approx. 46 A
max. 50 A |
| Filament peak starting current | I_{fp} | max. 120 A |
| Cold filament resistance | R_{f0} | approx. 0.015 Ω |
| Waiting time (time before application of high voltage) | T_w | min. 30 s |

Immediately after applying the anode voltage the filament voltage must be reduced as a function of the anode current according to the diagram on page 12. The life of the magnetron will be greatest if the filament voltage is reduced to a value given by the fully drawn line a. The filament voltage should be adjusted within $\pm 10\%$ as given by the dashed lines which border the hatched area.

If it is intended to design the equipment for a predetermined number of steps in output power level, the reduced filament voltage for each step must be set to a value within the area bordered by the lines b and c, and preferably within or close to the hatched area.

In no circumstances should the filament voltage reach a value outside the limits given by the lines b and c.

TYPICAL OPERATING

| | |
|----------------------------------------|---------------------------------------------|
| → Anode supply | Unfiltered three-phase full-wave rect. |
| → Filament voltage, stand-by operation | V_f 5.5 V |
| Anode current, mean 2) | V_f 1.0 V |
| peak | I_a 1.25 A |
| Load impedance | I_{ap} 1.5 A |
| Anode voltage | V.S.W.R. 1.5 in direction of sink matched |
| Output power | V_a 7.25 7.1 kV |
| | W_o 5.5 5 kW |
| | see also page 14 |

1) With D.C. heating the filament connector must have positive polarity.

→ 2) Measured with a moving coil instrument.

TYPICAL CHARACTERISTICS

| | | | |
|---------------------------------------------------------|-------|----------------|---------------------------------------------------------------|
| Frequency, fixed within the band | f | 2.425 to 2.475 | GHz ¹⁾ |
| Anode voltage at I_a mean = 1.25 A ²⁾ | V_a | 7.2 | $\begin{matrix} +0.0 \\ -0.4 \end{matrix}$ kV ¹⁾³⁾ |
| Distance of voltage standing-wave minimum ⁴⁾ | | 0.36 to 0.42 | λ guide |

LIMITING VALUES (Absolute max. rating system)

| | | | | |
|------------------------------------------------------------------------------------|--------------------------------------------------|----------|------|-----------------------|
| Anode current, mean | I_a | max. | 1.3 | A |
| | I_a | min. | 0.3 | A |
| | peak | I_{ap} | max. | 2.6 A |
| Anode voltage, positive and negative | V_a | max. | 12 | kV ⁵⁾ |
| Anode input power | W_{i_a} | max. | 9.6 | kW |
| Temperature at reference point, closed circuit | t_a | max. | 85 | $^{\circ}\text{C}$ |
| | open circuit | t_a | max. | 70 $^{\circ}\text{C}$ |
| Temperature at any other point on the tube | t | max. | 200 | $^{\circ}\text{C}$ |
| | Cooling water outlet temperature, closed circuit | t_o | max. | 75 |
| open circuit | | t_o | max. | 60 $^{\circ}\text{C}$ |
| Voltage standing wave ratio from 0.30 λ to 0.50 λ remaining region | VSWR | max. | 2.5 | |
| | VSWR | max. | 1.5 | |

1) Measured at matched load. (VSWR ≤ 1.05)

2) Measured with moving coil instrument.

3) Measurement on a filtered anode supply.

4) This distance is measured, in the direction of the load, starting at the reference plane for electrical measurements using standard cold measurement techniques and a 16/39 coaxial line.

5) It is recommended that a suitable spark gap be connected between the filament connectors and the anode (earth) to prevent the maximum anode voltage being exceeded. ←

MECHANICAL DATA

→ Mounting position: axis of cathode/filament vertical (see outline drawing)

Weight

Net weight approx. 6 kg

Accessories

Filament connector type 55323

Filament/cathode connector type 55324

Cap nut for output coupling type 55312

Spring ring type 55313

Mounting plate (optional) Only if YJ1191 is
to replace YJ1190 type 55327

Soft copper washer (supplied with each tube) type 55328

Hose nipple and cap nut types TE 1051c and TE 1051b

COOLING

Anode block water

Minimum required quantity of water and
pressure drop see page 13

Filament and filament/cathode connectors low-velocity air-flow perpen-
dicular to the cathode axis
R.F. output system air flow of min. $0.1 \text{ m}^3/\text{min}$
at room temperature

To safeguard the magnetron against overheating if the anode cooling fails, provision is made for mounting a thermoswitch. This switch should operate at a mounting disc temperature of 70°C for an open and 85°C for a closed water cooling circuit.

The R.F. output system of the magnetron is provided with air inlet and outlet holes for the application of at least $0.1 \text{ m}^3/\text{min}$ of cooling air to the ceramic part inside the outer conductor. For an example of a cooling device around the output system see "Output Coupling". All inlet holes must be used for the entrance of air to obtain the required uniform cooling.

The cooling air must be filtered to be free from dust, water and oil.

DESIGN AND OPERATING NOTES

General

Designers should consult the manufacturer whenever they consider to operate the magnetron under conditions substantially different from those given on the foregoing pages.

The equipment should be designed around the magnetron specifications given in this data and not around one particular magnetron since, due to normal production variations, the design parameters (V_a , R_{f0} , f , W_0 etc.) will vary around the nominal values.

Anode supply

It is recommended that the magnetron be operated from an unfiltered three-phase full-wave supply unit. This unit should be designed so that no limiting value for the mean and peak anode currents is exceeded, whatever the operating conditions. The use of a current regulating and limiting device is recommended.

Filament supply

The secondary of the filament transformer must be well insulated from the primary since in normal magnetron operation the cathode will be at high negative potential and the anode will be earthed.

The transformer should be so designed that the filament voltage and surge current limits are not exceeded.

Input connections

Because of the high filament current required for the magnetron, it is important that the connectors make good electrical and mechanical contact. This will prevent the temperature of the input system from rising due to contact resistance losses, and poor heat removal. Bad electrical contacts also cause a voltage drop and thus lower the filament voltage which may result in poor operation.

The connectors shown in the drawings have been designed to give the required electrical and mechanical contact and will also aid in cooling the input of the magnetron. Connectors of this design should be used for input connections to the magnetron.

The electrical conductors to the cathode and filament terminals should be flexible in order to eliminate undue stress on the input terminals.

Load impedance

Optimum output power and life will be obtained when the magnetron is loaded with an impedance giving a VSWR of approximately 1.5 in the phase of sink region. This phase condition is reached when the position of the voltage standing wave minimum is at a distance of about 0.39λ guide from the reference plane for electrical measurements (see outline drawing) in the direction of the load.

Cooling

To avoid overheating during operation and stand-by the cooling of

- a) the anode must be effected by water according to the cooling data diagram so that adequate cooling of the tube will be guaranteed at the highest expected water inlet temperature; a thermosthich can be fitted on the mounting disc (see outline

drawing) which switches the power off automatically when the anode block temperature limit at the reference point is exceeded; when specifying this switch the thermal resistance of the complete switch should be taken into account.

- b) the input structure must be effected by a moderate stream of air (perpendicular to the cathode axis) directed at the input connectors;
- c) the output coupling must be effected by forced air as specified in the cooling data; this air must be clean and dry to avoid arc-over.

The type TE1051c hose nipple is suitable for connecting a flexible hose or soldering a metal water pipe.

Shielding

R.F. radiation from the filament terminals may be reduced by external filtering and/or shielding. A filter box of non-magnetic material can be mounted on the aluminium top cover plate of the magnetron. (See under "Handling etc.").

Magnetic fields

Designers should bear in mind that the strong magnetic fields around the magnetron may have a detrimental effect on other magnetrons and precision instruments nearby. Also that the presence of magnetic material may affect the operation of the magnetron.

The minimum distance of the magnetron and any nearby ferromagnetic material should therefore be 13 cm.

Finally, high-intensity magnetic fields associated with transformers and other magnetic equipment (or another magnetron) can disturb the magnetic field of the magnetron. If such fields are present the distance should be minimum 15 cm.

Tube cleanliness

The ceramic insulation between the terminals of the magnetron must be kept clean. The output terminal should be adequately protected against contamination. The cooling air should be filtered and ducted to prevent deposits forming on the insulation during operation.

HANDLING, STORAGE AND MOUNTING; OPERATIONAL CHECKS

As the best protection for a magnetron is its original packing, this should be used for transporting and storing. Shipping magnetrons mounted in equipment is not permitted unless specifically authorized by the manufacturer.

When magnetrons have to be unpacked, care should be taken that the minimum distance of 15 cm mentioned above is maintained. More generally, magnetic fields associated with transformers or other magnetic equipment should not be present when a magnetron is stored, handled or operated.

The thoriated tungsten filaments are rather sensitive to shocks and vibrations, so magnetrons should always be handled gently.

Mounting

It should be borne in mind that the magnetron must not come closer to any ferromagnetic material than 13 cm to avoid mechanical damage to ceramic parts and/or short-circuiting of the magnetic flux. Especially mounting tools must be of non-magnetic material. On the other hand, extreme care must be taken not to cause any

damage to watches and other precision instruments.

To mount a filter box on the aluminium top cover plate (see under "Shielding" above) this plate must be removed, after which the mounting holes can be drilled and tapped in it. The filter box mounting screws must not penetrate through the cover plate, which has a thickness of 6 mm.

For mounting the magnetron in the equipment, holes may be drilled and tapped in the bottom cover plate after this has been removed. Again the mounting screws must not penetrate through the bottom cover plate (which is also 6 mm thick).

The special mounting plate (type 55327) with 4 mounting holes, see "Accessories", can be screwed to the bottom cover plate of the magnetron by removing the two existing M4 screws and replacing them by screws 15 mm long.

The power supply lead to the anode should be connected to the anode terminal (see outline drawing) or to one of the mounting screws.

A high temperature resistant silicone grease should be applied to the filament contacts to prevent oxidation.

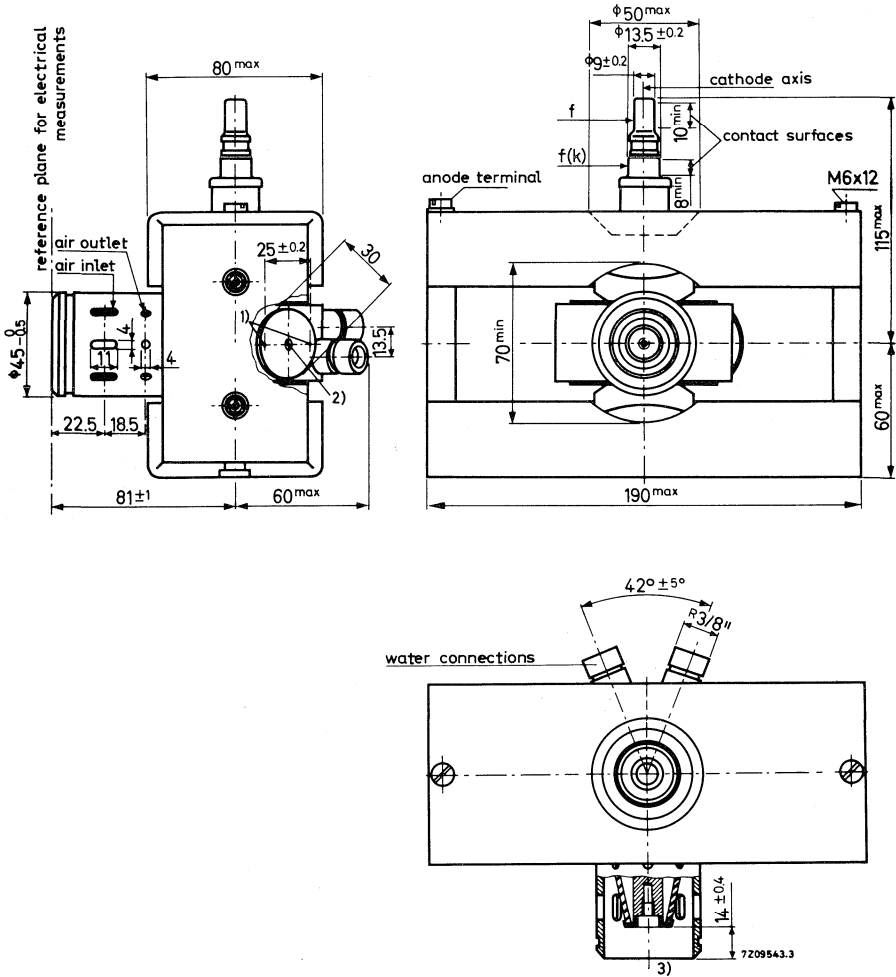
Operational checks

Excessive VSWR and/or current values may lead to moding of the magnetron which can be detected by displaying the V_a/I_a characteristic on an oscilloscope for the various load conditions. This should be part of production line inspection but should also be checked during field inspection and after tube replacement. For x-y display on a service oscilloscope the anode voltage can be sampled from a voltage divider chain connected between earth and the cathode connector, and the anode current from a sampling resistor of a few ohms which may be permanently inserted into the earth connection of the high-voltage supply unit. The normal V_a/I_a characteristic should be a fairly straight line when using a three-phase full-wave supply. The appearance of a second line or parts thereof distinctly above the first line indicates undesired modes of oscillation that can rapidly lead to failure of the tube. In such cases the operating conditions, including the VSWR, must be checked and the tube replaced if, under correct operating conditions, moding still occurs.

MECHANICAL DATA (continued)

Dimensions in mm

Outline drawing



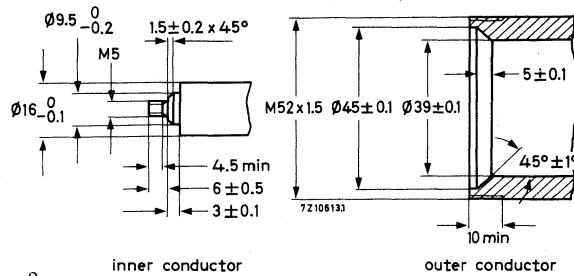
- 1) Two screws M2 for mounting a thermoswitch are supplied with each magnetron
- 2) Plate for mounting thermoswitch, temperature reference point.
- 3) Eccentricity of inner conductor with respect to the outer conductor is max. 0.4 mm

OUTPUT COUPLING

The coaxial output system of the magnetron may be coupled by suitable means to a coaxial line or to a waveguide.

16/39 Coaxial line (Characteristic impedance 53.4Ω)¹⁾²⁾

Dimensions in mm

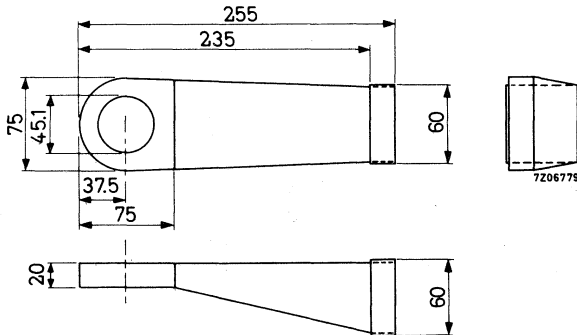


Antenna coupling²⁾

An antenna can be screwed directly into the output system of the magnetron. The part of the antenna inside the outer conductor of the magnetron output system must be according to the drawing of the inner conductor of the coaxial line coupling.

Example of a cooling device for output system³⁾

Material: non-magnetic



Pressure loss at $0.1 \text{ m}^3/\text{min}$:

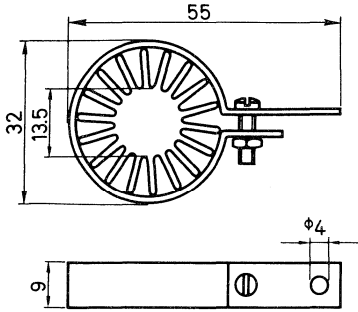
About 60 mm H_2O with air outlet only via outlet holes

About 30 mm H_2O if air can also escape towards the load through the waveguide or coaxial line.

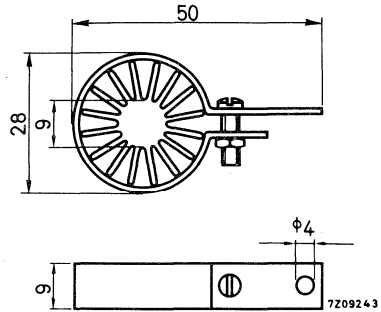
- 1) The inner conductor should be free to accept the tolerances of the magnetron output system (see outline drawing) and thermal expansion.
- 2) A soft copper washer of 0.5 mm thickness is required between the inner conductor and the magnetron output system R.F. contact.
When screwing the inner conductor into the magnetron output system the max. permissible torque is 15 cm kg.
- 3) Not supplied by the manufacturer.

ACCESSORIES

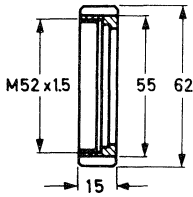
Dimensions in mm



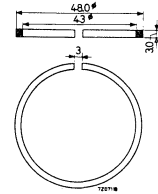
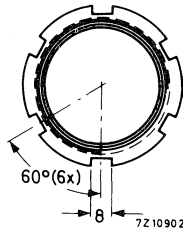
Filament/cathode connector 55324



Filament connector 55323



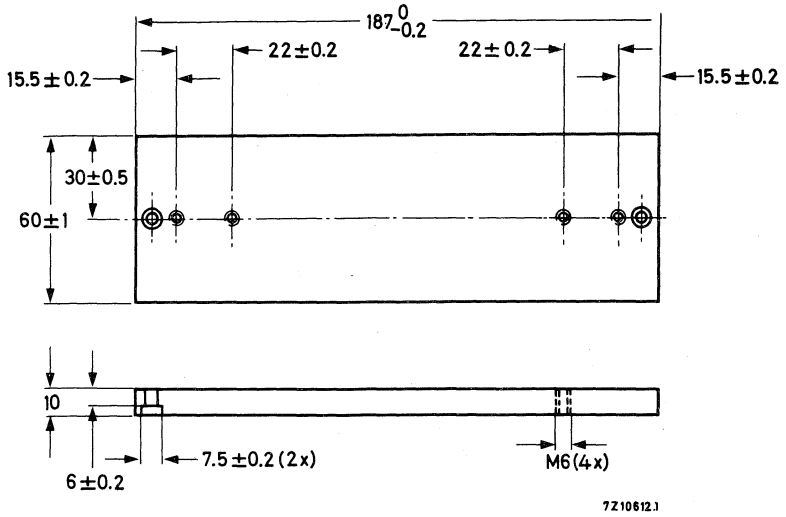
Cap nut 55312



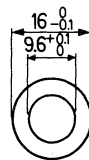
Spring ring 55313

ACCESSORIES (continued)

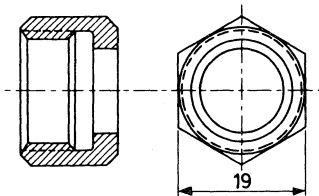
Dimensions in mm



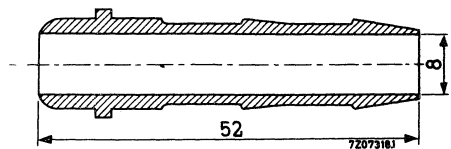
Mounting plate 55327 Material: Aluminium



washer 55328
Material: Soft copper

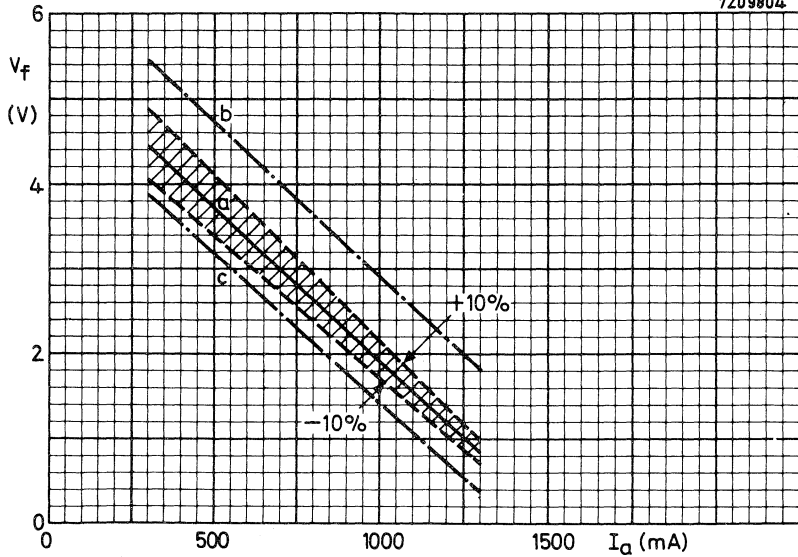


TE 1051b Cap Nut (Thread 3/8" gas)

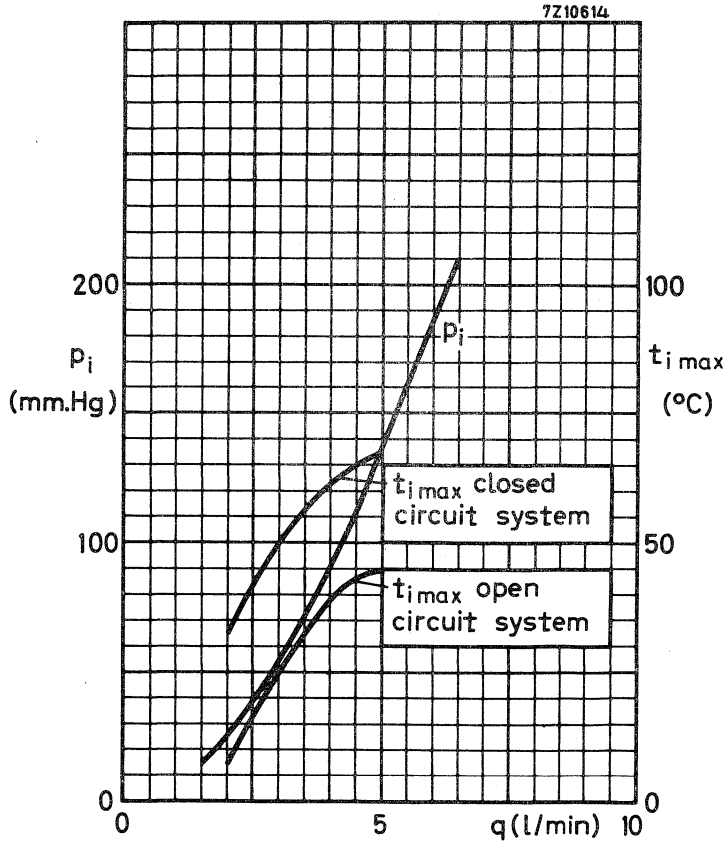


TE 1051c 9 mm hose nipple

7209804

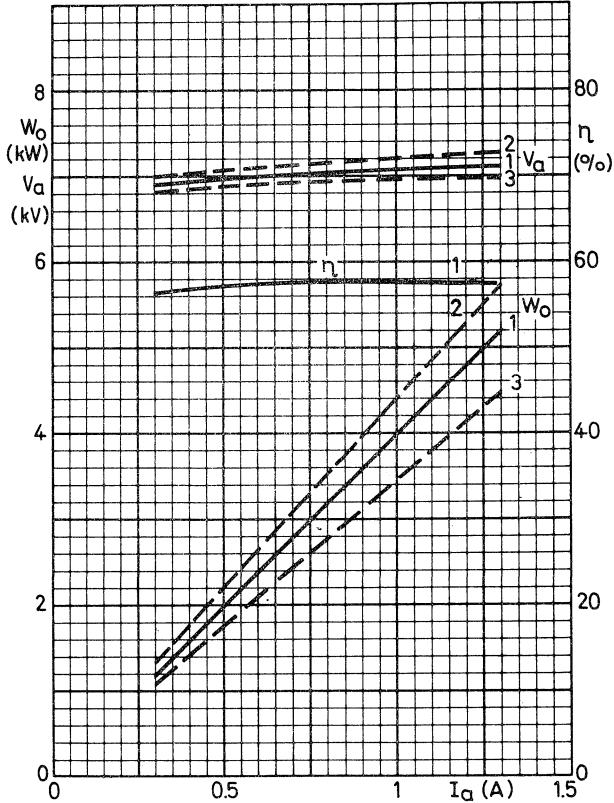


Filament voltage reduction curve . See also page 2.

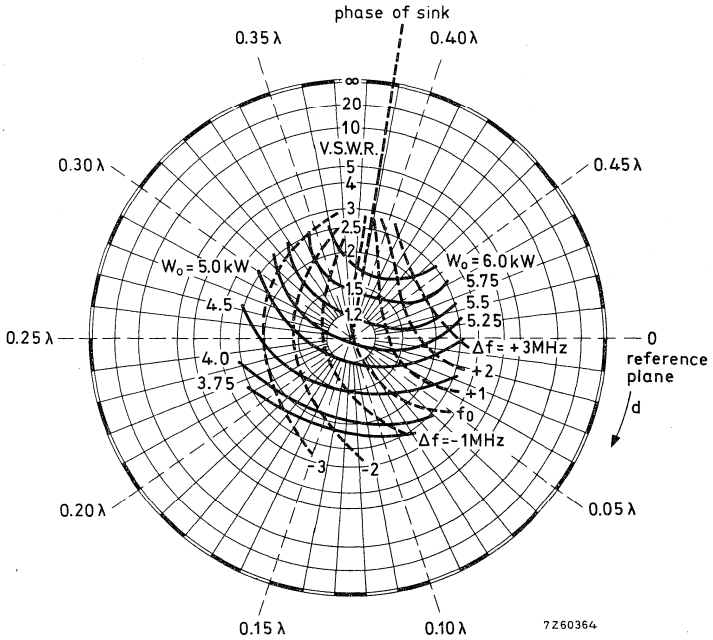


Minimum required quantity of water q , and pressure drop p_i as a function of water inlet temperature t_i . Water supplied via hose nipple type TE 1051c. When additional information is required please contact the manufacturer.

7Z09537



- 1 with V. S. W. R. ≤ 1.05 (matched load)
- 2 with V. S. W. R. 1.5 in sink region
- 3 with V. S. W. R., 1.5 in antisink region



Load diagram

Mean anode current 1.25 A

Peak anode current 1.5 A

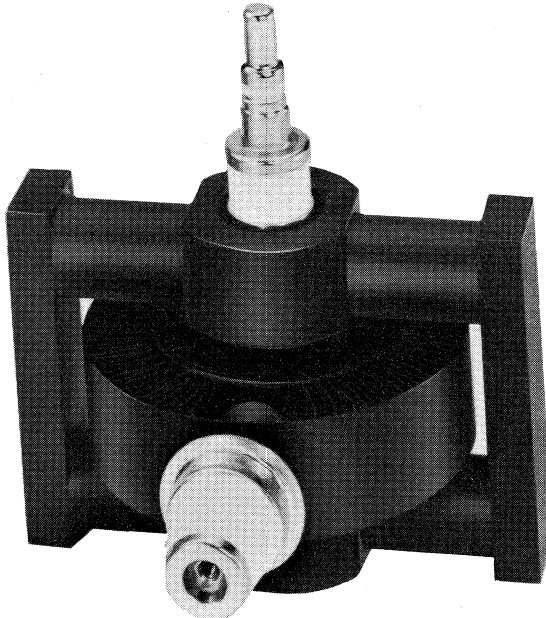
d = distance of standing wave minimum
from reference plane towards load

CONTINUOUS WAVE MAGNETRON

The YJ1280 is an integral magnet c.w. magnetron designed for use in microwave heating applications. With an LC stabilised power supply, it can produce up to 1.5 kW under typical operating conditions. The magnetron is air-cooled and is of a metal-ceramic construction.

QUICK REFERENCE DATA

| | | | |
|----------------------------------|-------|-------------------------|-----|
| Frequency, fixed within the band | f | 2.425 to 2.475 | GHz |
| Output power | W_0 | 1.5 | kW |
| Construction | | metal-ceramic, packaged | |



A 53763 4

TYPICAL CHARACTERISTICS

| | | |
|----------------------------------------------------|-------|-------------------------------------------------------------------|
| Frequency, fixed within the band | f | 2.425 to 2.475 GHz ¹⁾ |
| Anode voltage at I_a mean = 380 mA ²⁾ | V_a | 5.8 $\begin{matrix} +0.0 \\ -0.4 \end{matrix}$ kV ¹⁾³⁾ |
| Output power into matched load | W_o | 1.3 kW |

LIMITING VALUES (Absolute max. rating system)

| | | | |
|----------------------------------------------------------------------|-------------|------|---------------------|
| Anode current, mean ²⁾ | I_a | max. | 450 mA |
| | I_a | min. | 100 mA |
| peak at I_a mean = 380 mA ²⁾ | I_{ap} | max. | 800 mA |
| Anode voltage, positive and negative | V_a | max. | 10 kV ⁴⁾ |
| Anode input power | W_{ia} | max. | 2.7 kW |
| Voltage standing wave ratio
(measured with probe 55336) | | | |
| continuous | V. S. W. R. | max. | 4 |
| during max. 0.02 s,
and max. 20% of the time ⁵⁾ | V. S. W. R. | max. | 10 |
| Anode temperature at reference point
indicated on outline drawing | t_a | max. | 180 °C |
| Temperature at any other point on the tube | t | max. | 200 °C |

1) Measured under matched load conditions. (V. S. W. R. \leq 1.05)

2) Measured with a moving coil instrument.

3) Measured on a filtered anode voltage supply ($I_{ap} \leq$ 480 mA).

4) It is recommended that a suitable spark gap be connected between the filament connectors and the anode (earth) to prevent the maximum anode voltage being exceeded.

5) This means: Any period of time up to 0.02 s during which the V. S. W. R. is between 4 and 10 must be followed by a period four times as long during which the V. S. W. R. is $<$ 4. When operated under these conditions the magnetron should not be permitted to mode.

COOLING

| | | | |
|-----------------------------|-------|------------|---------------------|
| Anode block | | forced air | |
| Filament terminal structure | | forced air | |
| Inlet air, typical | | | |
| Temperature | t_i | 35 | °C |
| Quantity | q | 1.2 | m ³ /min |
| Pressure drop | p_i | 10 | mmH ₂ O |

It is recommended to mount a thermostwitch at the place indicated in the outline drawing to protect the magnetron against overheating.

On stand-by, with $V_f = 5.0$ V, some air-cooling is necessary to keep the temperature of the filament terminal, the filament/cathode terminal and the anode block below the maximum limit.

MECHANICAL DATA

Mounting position

Axis of cathode (filament) Vertical (see outline drawing)

Output coupling

The tube may be coupled by suitable means to a wave guide, a coaxial line, or directly into a cavity.

Weight

Net weight approx. 2.3 kg

Accessories

| | | |
|-------------------------------------------------------------|------|-------|
| Filament/cathode connector | type | 55324 |
| Filament connector | type | 55323 |
| R. F. gasket; supplied with the tube | type | 55341 |
| Washer; for antenna connection only (see page 6) | type | 55328 |
| Measuring probe; for cold measurements only
(see page 6) | type | 55336 |

DESIGN AND OPERATING NOTES

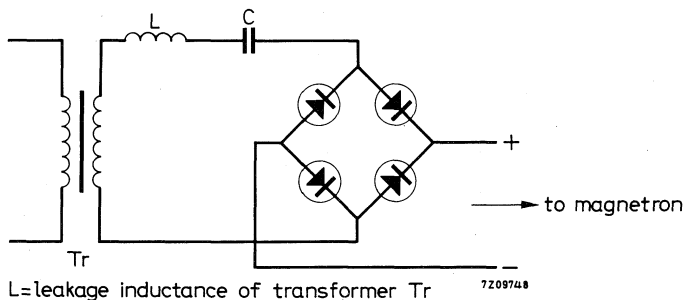
General

Whenever it is considered necessary to operate the magnetron at conditions substantially different from those indicated under "Typical operation" the tube manufacturer should be consulted.

The equipment should be designed around the tube specifications given in this data and not around one particular tube since, due to normal production variations, the design parameters (V_a , R_{f_0} , f , W_0 etc.) will vary around the nominal values.

Anode supply

It is recommended that the magnetron be operated from an L-C stabilized anode supply unit. The unit should be designed so that the limiting values for mean and peak anode current are not exceeded.



Basic series resonant circuit of an L-C power supply.

Filament supply

The secondary of the filament transformer must be well insulated from the primary since in normal magnetron operation the cathode will be at high negative potential and the anode will be earthed.

The transformer should be designed so that the filament voltage and surge current limits are not exceeded.

Filament/cathode connectors

The magnetron has a high filament current and losses in filament voltage caused by bad connections, will result in poor operation. Therefore, it is important to ensure that the filament and filament/cathode connectors make good electrical and thermal contact with their respective terminals.

The connectors, type nos. 55323 and 55324, shown in the drawings have been designed to give the required contact and are recommended for use with this magnetron. A coating of a high temperature resistant silicone grease is recommended to prevent oxidation.

The electrical conductors of the cathode and filament connectors should be of flexible construction in order to eliminate undue stress on the terminals.

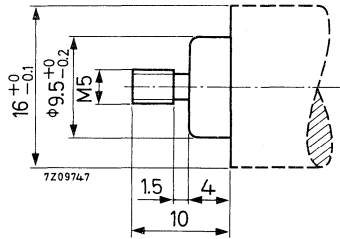
Load impedance, measured with measuring probe.

The probe 55336 simulates the R. F. output system of the magnetron; it may be coupled to a wave guide, a coaxial line, or directly into a cavity in place of the magnetron; in all cases the type 55341 gasket should be used. The termination of the probe matches a standard male N-type connector.

The use of this measuring probe enables the designer of microwave heating equipment to determine the value of the load impedance (V. S. W. R. and phase of reflection), using standard cold measuring techniques, and to arrive at the correct coupling for the magnetron.

Antenna

When an antenna is used, the part of the antenna screwed into the magnetron should be according to the figure below:



A soft copper washer of 0.5 mm thickness type nr. 55328 is required between the antenna and the tube to ensure reliable R.F. contact. The maximum torque applied when screwing the antenna into the tube is 15 cmkg.

Stand-by operation

Without anode voltage, the filament voltage during any stand-by period should be kept at $V_f = 5.0V$. Some forced-air cooling will be required to prevent overheating. The full anode voltage may be applied without further waiting time.

Shielding

Where required, R.F. radiation from the filament terminals may be reduced by external filtering and/or shielding. Detailed information may be obtained from the manufacturer.

Tube cleanliness

The ceramic parts of the input and output structures of the tube must be kept clean during operation. A protective cover of suitable material should be placed over the tube output if the tube is inserted directly into a cavity.

The cooling air should be filtered and ducted to prevent deposits forming on the insulation during operation.

HANDLING, STORAGE, MOUNTING

Handling and storage

The original pack should be used for transporting and storing the tube. Shipment of the tube mounted in the equipment is not permitted unless specifically authorized by the tube manufacturer.

When the tubes have to be unpacked, e. g. at an assembly line or for measurement purposes, care should be taken that a minimum distance of 15 cm is maintained between magnets. As the thoriated tungsten filament is sensitive to shocks and vibration, care should be taken when handling and storing unpacked tubes that such shocks and vibration are avoided.

High intensity magnetic fields associated with transformers and other magnetic equipment can demagnetize the magnets. Such fields should not be present when the tube is stored, handled or serviced.

The best protection of the tube is its original pack.

The user should be aware of the strong magnetic fields around the magnet. When handling and mounting the magnetron, he must use non-magnetic tools and be extremely careful not to have watches and other precision instruments nearby.

Mounting

When magnetic materials are present in two or more planes, the minimum distance from the magnet shall be 13 cm in all directions.

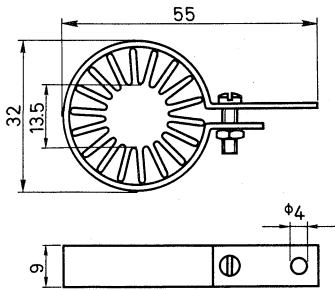
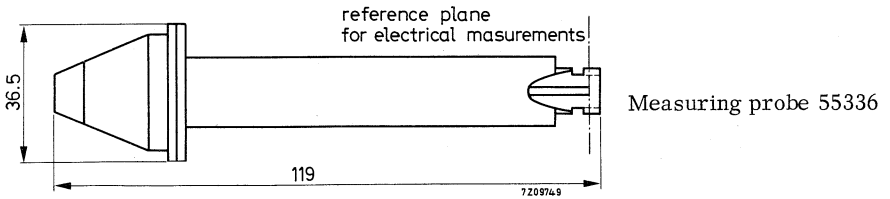
In order to assure a good R. F. contact between the output of the tube and the circuit in which it is connected, the use of the gasket 55341 is essential.

The output coupling of the tube should not be used as the only means of mounting the magnetron. The magnetron should be mounted and secured by the two mounting holes indicated on the outline drawing. When mounting the magnetron, all tools (screwdrivers, wrenches etc.) used close to or in contact with the magnetron must be made of non-magnetic material to avoid unwanted attraction and possible mechanical damage to ceramic parts as well as short circuiting of the magnetic flux.

The power supply lead to the anode shall be connected to one of the mounting holes (see "a" on the outline drawing).

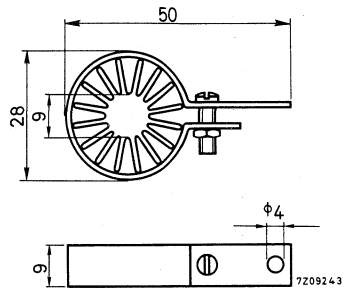
ACCESSORIES

Dimensions in mm



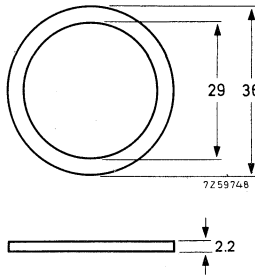
cathode/filament connector

Filament/cathode connector 55324

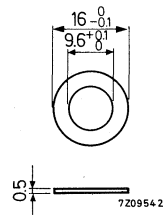


filament connector

Filament connector 55323

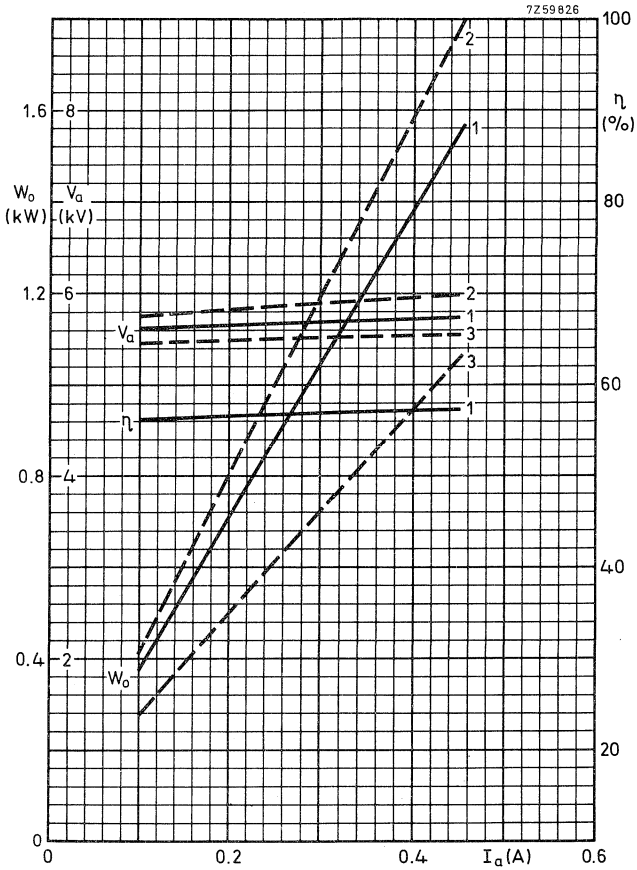


Material : monel mesh
R. F. gasket 55341

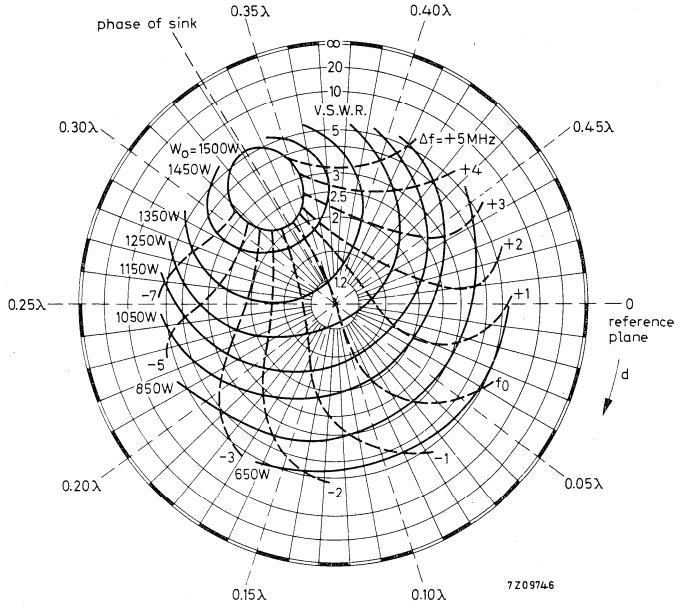


washer 55328

Material : soft copper
Washer 55328



- 1) with V.S.W.R. ≤ 1.05
- 2) with V.S.W.R. = 3 in sink region
- 3) with V.S.W.R. = 3 in anti sink region



Load diagram

Mean anode current 380 mA

Frequency f_0 2.450 GHz

Constant air cooling

d = distance of voltage standing wave minimum from the reference plane for electrical measurements (measuring probe 55336) towards load

CONTINUOUS-WAVE MAGNETRON

Continuous-wave contact-cooled packaged magnetron intended for diathermy and other low-power microwave heating applications.

| QUICK REFERENCE DATA | |
|----------------------------------|-------------------------------------------------------------------|
| Frequency, fixed within the band | f 2.425 to 2.475 GHz |
| Output power | W_o 200 W |
| Construction | packaged |
| Anode supply | A.C., or unfiltered single phase full-wave rectification, or D.C. |

CATHODE: nickel matrix type

HEATING: indirect by A.C. 50 or 60 Hz or D.C.

| | Operation A and B | Operation C |
|-------------------------------------------------|---------------------------------------------------|---------------------------------------------------|
| Heater voltage, starting and stand-by V_{f_o} | 5.3 V $\begin{matrix} +5\% \\ -10\% \end{matrix}$ | 4.8 V $\begin{matrix} +5\% \\ -10\% \end{matrix}$ |
| Heater current at starting voltage I_f | approx. 3.5 A | 3.3 A |

The heater current must never exceed a peak value of 8.5 A at any time during the initial energizing schedule.

Cold heater resistance R_{f_o} approx. 0.2 Ω

Heating time before application of high voltage (waiting time) T_w min. 180 s | 240 s

Immediately after applying the anode voltage the heater voltage must be reduced as a function of the anode current according to the diagram on page 9.

TYPICAL CHARACTERISTICS

| | |
|--------------------------------------------------------|----------------------------------------------------------------------------|
| Frequency, fixed within the band | f 2.425 to 2.475 GHz |
| Anode voltage at $I_{a_{mean}} = 200$ mA ¹⁾ | V_a 1.65 $\begin{matrix} +0.05 \\ -0.10 \end{matrix}$ kV ²⁾³⁾ |

¹⁾ Measured with moving coil instrument

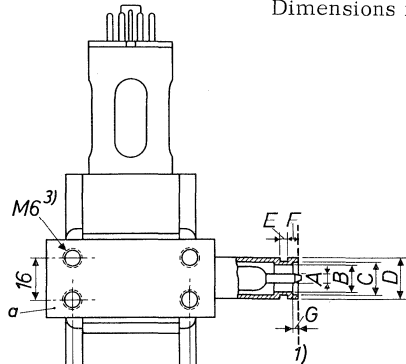
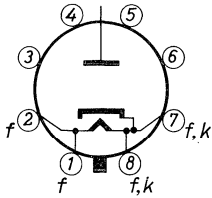
²⁾ Anode voltage measured with D.C.

³⁾ Measured at matched load (V.S.W.R. < 1.05)

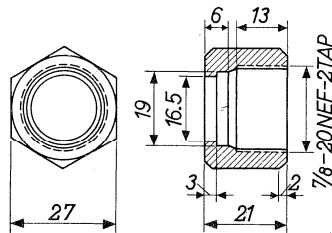
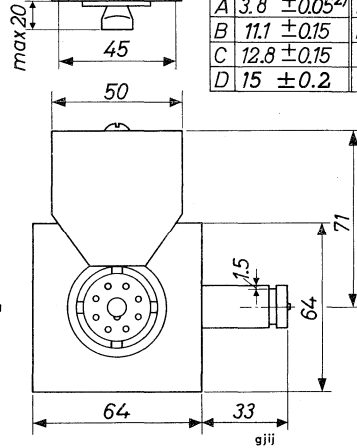
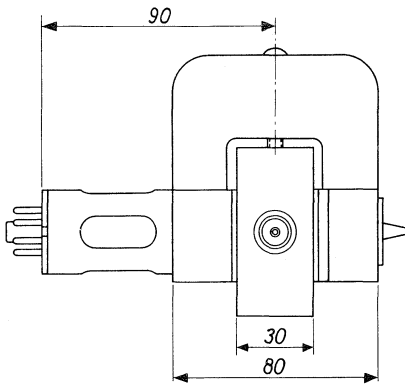
MECHANICAL DATA

Outline drawing

Dimensions in mm



| | | | |
|---|-------------------------|---|-----------|
| A | 3.8 ±0.05 ²⁾ | E | 2.8 ±0.2 |
| B | 11.1 ±0.15 | F | 4.0 ±0.2 |
| C | 12.8 ±0.15 | G | 2.0 ±0.15 |
| D | 15 ±0.2 | | |



- 1) Reference plane A.
- 2) The diameter of the excentricity of the inner conductor is max. 1.6 mm.
- 3) Holes M6 (10 mm depth) for mounting tube onto heatsink.

MECHANICAL DATA (continued)

Net weight : approx. 2.4 kg

Mounting position: arbitrary

Base : octal

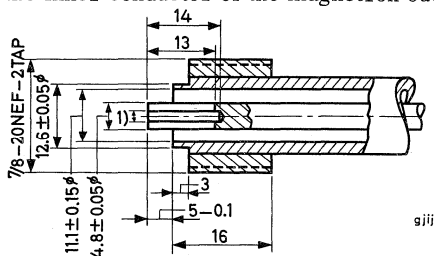
Accessory

Socket 2422 501 03001

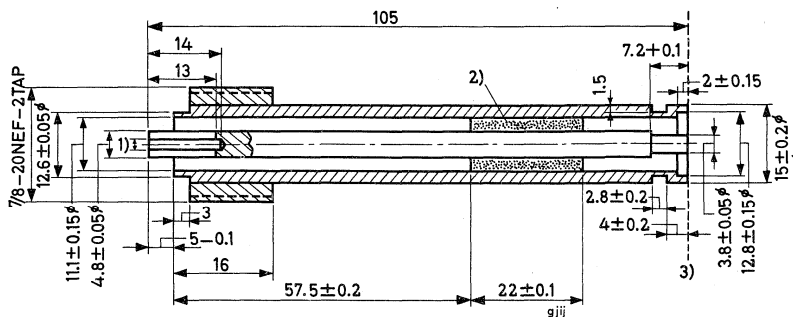
The socket should not be rigidly mounted, it should have flexible leads and be allowed to move freely.

OUTPUT COUPLING4.8/11.1 coaxial line (50.3Ω)⁴⁾

The inner conductor should be sufficiently flexible to take up the excentricity of the inner conductor of the magnetron output.

Fixed reflection element⁴⁾

V.S.W.R. approx. 2.0; d approx. 0.45λ



1) Hole 3.85 ± 0.05 mm with 2 slots. The wall segments should be pressed together after slotting.

2) Teflon, $\epsilon_r = 2.0$; driving fit.

3) Reference plane B.

4) Not supplied by manufacturer.

COOLING

The tube does not require any extra cooling provided it is effectively mounted on a heat-conducting non-magnetic plate (heatsink). To obtain an effective natural cooling of the tube, a vertical position of this plate may be advantageous.

TEMPERATURE LIMITS (Absolute max. rating system)

Temperature of any part of
the metal envelope t max. 125 °C

The temperature of the metal-glass seal of the cathode feedthrough may then reach 210 °C.

LIMITING VALUES AND TYPICAL OPERATION

The anode supply should be designed so that for any operating condition no limiting value for the mean and peak anode current will be exceeded.

Operation A: A.C. ANODE SUPPLY**LIMITING VALUES** (Absolute max. rating system)

| | | |
|-----------------------------------|----------|-------------|
| Anode current, mean ¹⁾ | I_a | max. 230 mA |
| peak | I_{ap} | max. 1.4 A |
| Voltage standing wave ratio | V.S.W.R. | max. 2.0 |

TYPICAL OPERATION

| | | |
|---------------------------------------------|----------|---------------------------------------------------|
| Heater voltage | V_f | 4.5 V $\begin{matrix} +5\% \\ -10\% \end{matrix}$ |
| Anode current, mean ¹⁾ | I_a | 200 mA |
| peak | I_{ap} | 1.3 A |
| Anode voltage at matched load ²⁾ | V_a | 1.65 kV |
| Output power at matched load | W_o | 200 W |

¹⁾ Measured with moving coil instrument.

²⁾ Measured with filtered D.C. anode supply.

DESIGN AND OPERATING NOTES

GENERAL DESIGN CONSIDERATIONS

Equipment design should be oriented around the tube specifications given in these data sheets and not around one particular tube since due to normal production variations the design parameters (V_a , R_{f_0} , f , W_0 etc.) will vary around the nominal values given.

ANODE SUPPLY

The magnetron may be operated from an A.C. supply, or an unfiltered single-phase full-wave supply, or from a filtered D.C. supply. In the latter case, however, a fixed reflection element must be used.

In order to keep the peak anode current below its limits it may be necessary to incorporate either a limiting resistance or reactance in the power supply.

HEATER SUPPLY

The primary of the heater transformer must be high-voltage isolated from the secondary since in normal magnetron operation the cathode will be at high negative potential and the anode should be grounded.

The transformer should be designed so that the heater voltage limits are adhered to.

STAND-BY OPERATION

In order to avoid the time-consuming warm-up period of the heater of 3-4 minutes when frequent switching of the tube is intended, the heater should be switched back to preheat conditions after the oscillation period instead of being switched off completely. The tube then remains ready for instantaneous operation. This also serves to increase life of the tube.

STABILITY OF OPERATING MODE

Oscillation stability may be affected particularly by excessive microwave power reflections from the load, excessive peak anode currents, over- or underheating of the cathode, and by magnetic field changes. The resulting instability is referred to as "moding" of the tube and may lead to rapid failure. It should be a major design objective to keep the V.S.W.R. below the maximum limits for all possible load conditions. At very low power settings, it may be possible to relax the V.S.W.R. limits after consulting the tube manufacturer.

MAGNETIC FIELD

When designing a power supply and cabinet around the tube the influence of

1. ferromagnetic parts and
2. magnetically active components

on the magnetic field of the tube must be considered.

This is especially important when a very compact design is desirable.

1. A minimum distance of 50 mm must be maintained in all directions between the magnet and ferromagnetic parts (e.g. cabinet walls).
2. Transformers and reactors incorporate rather large volumes of iron so that the limits mentioned under 1. apply. In addition they generate stray electro-magnetic fields while in operation. It is therefore recommended to place these elements as far away as possible from the magnetron.

R.F. SHIELDING

Where required, R.F. radiation from the filament terminals may be reduced by external filtering and/or shielding. Detailed information may be readily obtained from the manufacturer.

STORAGE, HANDLING, AND MOUNTING

HANDLING AND STORAGE

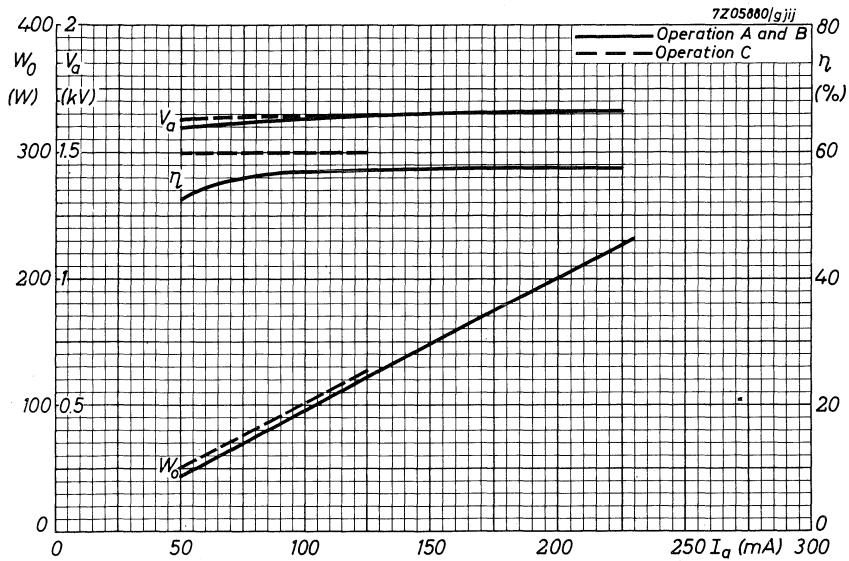
The original packing should be used for transporting and storing the tube.

The strong magnetic field necessary for the operation of the tube must not be weakened permanently. Therefore the tube should never be placed directly on any piece of ferromagnetic material (steel shelves etc.). The best protection for the tube is its original packing. When the tubes have to be unpacked, e.g. at an assembly line or for measuring purposes, care should be taken that the tubes are not placed closer to each other than 15 cm.

Watches and sensitive measuring instruments may be influenced and damaged by exposure to the magnetic field.

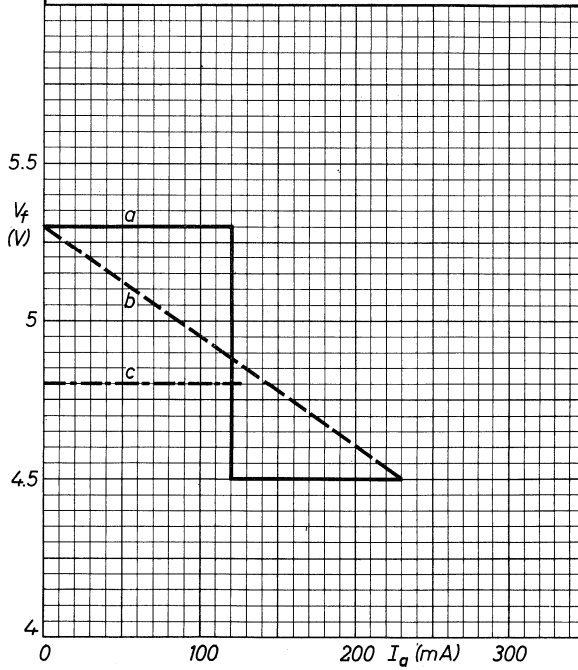
MOUNTING

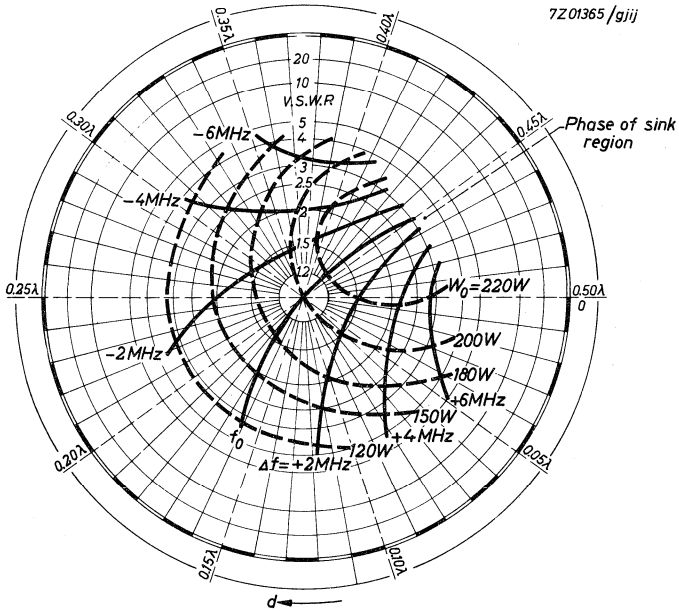
All tools (screwdrivers, wrenches etc.) used close to or in contact with the magnetron should be made of non-magnetic material (e.g. beryllium copper, or brass) to avoid unwanted attraction and possible mechanical damage to glass parts as well as short-circuiting of the magnetic flux.



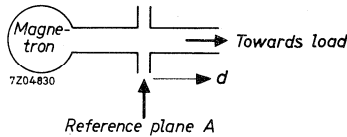
7Z03483/gjjj

The heater voltage should be adjusted according to curve a or b for A.C. anode voltage and for unfiltered single-phase full-wave rectified anode voltage and according to curve c for filtered D.C. anode voltage





Load diagram Operation A
 Mean anode current 0.2A
 Peak anode current 1.3A
 d = distance of standing wave minimum
 from reference plane A towards load
 For reference plane see outline drawing



Klystrons, high power



KLYSTRONS , HIGH POWER

ABRIDGED SURVEY

| Frequency range
(MHz) | Power gain
(dB) | Output power
(kW) | Type |
|--------------------------|--------------------|----------------------|--------|
| 400 - 620 | 30 | 11 | YK1000 |
| 470 - 860 | 30 | 11 | YK1001 |
| 470 - 860 | 30 | 11 | YK1002 |
| 470 - 860 | 40 | 11 | YK1005 |
| 610 - 790 | 30 | 11 | YK1004 |
| 2998 ± 5 | 30 | 6000 ¹⁾ | YK1110 |

¹⁾ Peak output power



GENERAL OPERATIONAL RECOMMENDATIONS KLYSTRONS

1. GENERAL

1.1. Data

The characteristic data, operational data, capacitance values and curves apply to an average tube which is characteristic of the type of tube in question.

1.2. Reference point of the electrode voltages

If not otherwise stated the electrode voltages are given with respect to the cathode.

1.3. Operational data

The operational data stated in the data sheets do not relate to any fixed setting instructions. They should rather be regarded as recommendations for the effective use of the tube. On account of the tolerances prevailing, deviations from the settings stated may occur.

It is also possible to use other settings, for which purpose the graphs can be used for finding the operational data, or for which purpose interpolation between the settings stated can be performed. If one wishes to deviate from the settings recommended in the data sheets, one should take great care not to exceed the permissible limiting values. If appreciable deviations occur, the manufacturer should be consulted.

A general rule for multi-cavity klystrons is that the focusing voltage must be adjusted so that the cathode current stated will flow.

1.4. D.C. connections

At all times there should be a D.C. connection between each electrode and the cathode. If necessary, limiting values have been stated for the resistance of these connections.

1.5. Mounting and removal

Large klystrons must be mounted in a vertical position, the cathode terminals pointing upwards. Reflex klystrons may as a rule be mounted in any desired position. The instructions relating to each type of tube can be found in the data sheets and the "Instructions for operation and maintenance".

The mounting and removal should be effected with extreme care to avoid damage to the tube. This also applies to rejected tubes, where claims are made under guarantee.

Ferromagnetic parts must not be used in the vicinity of klystrons equipped with a permanent magnet, as this might have a detrimental effect on the operation

7Z2 9001

of the klystron. If necessary, the ceramic insulators and windows must be carefully cleaned, as dirt may damage the klystron on account of local over-heating. Naturally the flange of the output cavity must also be thoroughly cleaned so as to prevent arcing.

The "instructions for Operation and Maintenance" should in all cases be followed.

1.6. Accessories

Perfect operation of the tubes can only be guaranteed if use is made of the accessories which the manufacturer designed for the tube.

1.7. Supply leads

The supply leads to the connections and terminals must be of such a quality that no mechanical stresses, due to differences in temperature or other causes, can occur.

1.8. Danger of radiation

In general the absorption in the tissues of the body, and hence the danger, is the greater the shorter the wavelength of the H.F. radiation at equal output. The output of klystrons may be so high that injuries (in particular of the eye) can be inflicted.

Klystrons operated at a high voltage (exceeding 16 kV) may moreover emit X-rays of appreciable intensity, which call for protection of the operators.

2. LIMITING VALUES

2.1. Absolute limiting values

In all cases the limiting values stated are absolute maximum or minimum values. They apply either to all settings or to the various modes of operation. The values stated should in no case be exceeded, neither on account of mains-voltage fluctuations and load variations, nor on account of production tolerances in the various building elements (resistors, capacitors, etc.) and tubes, or as a result of meter tolerances when setting the voltages and currents.

Every limiting value should be regarded as the permissible absolute maximum independent of other values. It is not permitted to exceed one limiting value because another is not reached. For instance, one should not allow the limiting value of the collector current to be surpassed while reducing the collector voltage below the permissible limiting value.

If in special cases it should be necessary to exceed a specific limiting value, it is advisable to consult the tube manufacturer, as otherwise no claims can be made.

2.2. Protective circuit

To prevent the limiting values of voltages, currents, outputs and temperatures from being exceeded, fast-operating protective circuits must be provided.

2.3. Drift current

The limiting value indicated for the drift current is an arithmetical mean value.

3. NOTES ON OPERATION

3.1. Operational data and variations

When developing electrical equipment the spread in the tube data must be taken into account; if necessary, the tube tolerances can be applied for.

With respect to the spread in the operational data and the average values stated in the data sheets it is recommended to allow for a certain margin in the output and input powers when designing equipment intended for series production.

3.2. Input power, required driving power

In the data sheets the power stated is the input power W_{dr} fed to the input cavity and measured between the circulator and this cavity at a 50-ohm resistor serving as a substitute for the load presented by the cavity.

3.3. Output power

As a general principle the effective output power is stated.

3.4. Sequence of application of the electrode voltages

With multi-cavity klystrons the electrode voltages must be connected in the order given in the operating instructions.

3.5. Drift current

When the klystron is driven by an A.M. signal (for instance a video signal), the drift current fluctuates with the modulation. Consequently, the power-supply unit must be designed so as to be suitable for the peak values occurring, which may be appreciably higher than the arithmetical mean values stated.

4. HEATING

4.1. Type of current

Klystrons can be heated by means of either standard alternating current or direct current. At other frequencies the tube manufacturer should be consulted.

4.2. Adjusting the heater voltage

The heater voltage generally governs the adjustment of the heating, while the heater current may deviate from its nominal value within fixed tolerances. The heater voltage should be maintained as accurately as possible. For measuring the heater voltage an R.M.S. voltmeter is required. This meter must be directly connected to the filament terminals of the tube and have an inaccuracy $< 1.5\%$ in the voltage range concerned. The indicated measuring value should lie in the uppermost third part of the scale.

4.3. Switching on the heater current

If the data sheet does not contain special data concerning the heater current during switch-on, the tube may be switched on at full heater voltage.

If maximum values are stated for the heater current during switch-on, they relate to the absolute maximum instantaneous value under unfavourable conditions. In the case of A.C. supply this value will occur if the tube is switched on at the maximum amplitude of the highest mains voltage. It is possible to calculate the maximum current during switch-on if the cold resistance and the relationship between the heater current and the heater voltage are known. In practice a heater transformer more or less acting as a leakage transformer is mostly used for limiting the starting current, or a choke coil or resistor is connected in series with the primary of the heater transformer. This choke coil or resistor can be short-circuited by a relay whose action is delayed by about 15 seconds. By means of a calibrated oscilloscope it can be checked whether the starting current remains within the permissible limits; the supply lead may, if necessary, be used as precision resistance.

5. COOLING

5.1. Forced-air cooling

It is essential that the faces of tubes that are to be cooled by an air-blast should be hit as evenly as possible by the air stream, so as to prevent large differences in temperature which may give rise to mechanical stresses. In many cases (in particular with the large types of tubes) an additional air stream must be directed to the metal-to-glass or metal-to-ceramic seals. The cooling air is usually supplied from a fan via an insulating duct. This air should be filtered, so that all impurities and moisture are removed; in addition to this the radiator must be cleaned at regular intervals. The data concerning the cooling can be found in the data sheets. The cooling must be switched on together with the heating. After the klystron has been switched off cooling air must be supplied for some time; this period depends on the size of the tube and the load. If the cooling of whatever part of the tube is interrupted or if the quantity of cooling air is too small, the collector voltage and the heating must be switched off automatically.

5.2. Water-cooling

With water-cooled klystrons the cooling equipment is rigidly attached to the tube. If the equipment should be live, the cooling water must be supplied through insulating pipes, of sufficient length.

The water-cooling and air-cooling for other parts of the tube must be switched on together with the heating. The cooling-water circuit must be arranged so that the water always enters at the bottom, no matter how the tube is mounted. If the pumps should be out of operation, the water jacket(s) of the tube must always be full. In that case after-cooling may in general be done away with.

In many cases the metal-to-glass or metal-to-ceramic seals require additional cooling by a low velocity air flow. If the cooling water supply or additional

7Z2 9004

air-cooling should fail, the collector voltage and heating must immediately be switched off. Further cooling data can be found in the data sheets.

The specific resistance of the cooling water must be min. 20 k Ω -cm, the temporary hardness must be max. 6 German degrees of hardness. On principle distilled water should be used in the circulation cooler; to reduce the corrosive effect of the distilled water about 700 mg of 24-% diamide hydrate and 700 mg sodium silicate must be added per litre. The pH-value should range from 7 to 9.

If frost is to be expected, a suitable anti-freezing mixture should be added.

6. STORAGE

Klystrons may only be stored in their original packing and according to the instructions, so as to avoid damage. For fitting the tubes must be removed from the packing and directly inserted into the support. In all cases the "Instructions for operation and maintenance" must be adhered to.

In the case of prolonged storage the vacuum of high-power klystrons should be checked at intervals of about three months and improved if necessary, both being possible with the aid of the built-in getter ion pump and a suitable power supply / test unit. During this operation the heater supply should preferably be turned on slowly.

U.H.F. POWER KLYSTRON

Power amplifier klystron in metal-ceramic construction designed for four external resonant cavities, magnetic beam focusing, continuous operating getter ion pump. The tubes are intended for use as U.H.F. power amplifier in T.V. transmitters.

| QUICK REFERENCE DATA | | | |
|----------------------|----------------|------------|-----|
| Frequency | YK 1000 | 400 to 620 | MHz |
| | YK 1004 | 610 to 790 | MHz |
| Power output | | 11 | kW |
| Power gain | | 30 | dB |
| Cooling | water and air. | | |

HEATING : Indirect by A.C. or D.C.

| | | |
|----------------|-------|-------------------|
| Cathode | | dispenser type |
| Heater voltage | V_f | 7.5 to 8 V 1) |
| Heater current | I_f | 32 (\leq 36) A |

The heater current should never exceed a peak value of 80 A when applying a A.C. heater voltage or 65 A when applying a D.C. heater voltage.

| | | | |
|----------------------------------------------------------------|----------|------|------------|
| Cold heater resistance | R_{f0} | 28 | m Ω |
| Heating time before application of high voltage (waiting time) | T_w | unit | 180 s |

GETTER ION PUMP POWER SUPPLY

| | | | |
|------------------------------------------------------------------------|-------------------|-------------|------------|
| Pump voltage, unloaded (cathode reference)
loaded (\approx 3 mA) | V_{pump} | 3.9 | kV |
| | V_{pump} | 3.0 | kV |
| Internal resistance | R_i | approx. 300 | k Ω |
| Pump current as a function of pressure | I_{pump} | See page 7 | |

1) During operation the applied heater voltage should not fluctuate more than $\pm 3\%$.

POWER SUPPLY FOR FOCUSING COILS

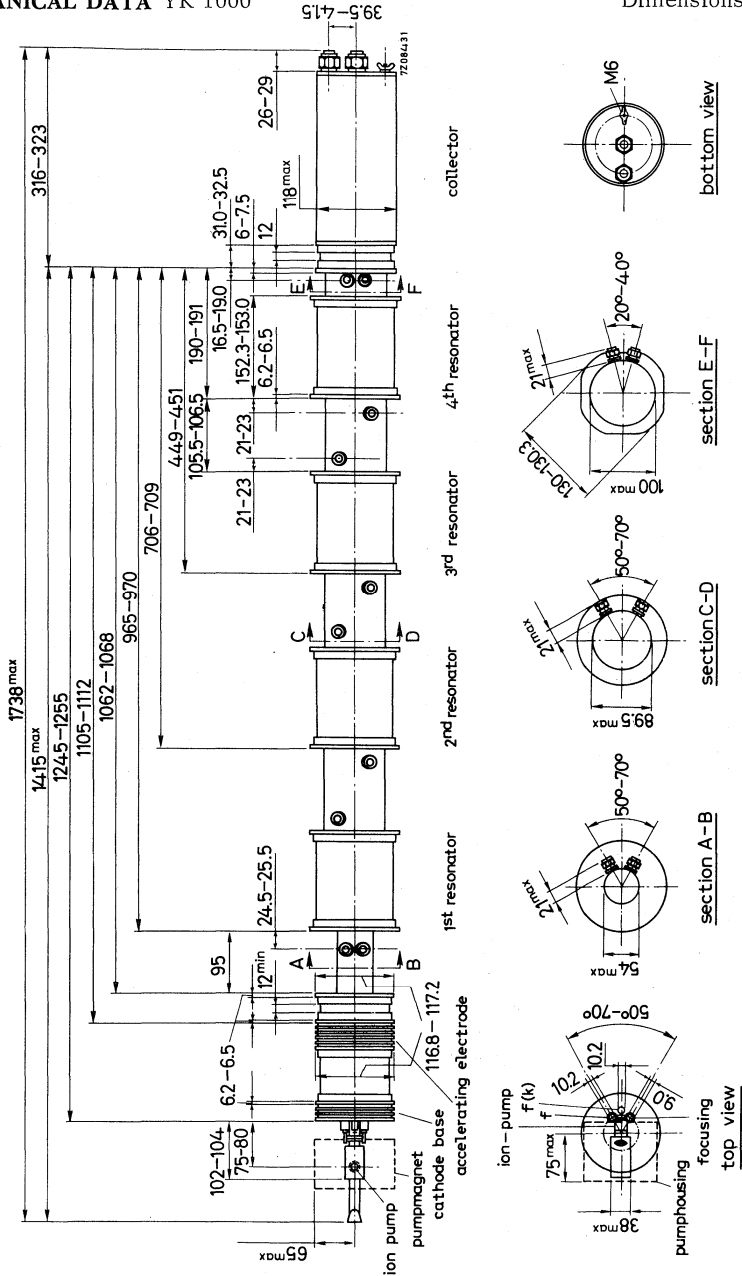
| | | |
|---------------------------------------------------------|---|--------------|
| Focusing coil | V | 35 to 50 V |
| | I | 1.0 to 1.5 A |
| Focusing coils for drift tubes
(connected in series) | V | 250 to 500 V |
| | I | 1.8 to 2.8 A |

COOLING

| | |
|------------------------|-------------------------------------------------------------------------------------------------|
| Cathode base | low velocity air flow |
| Accelerating electrode | low velocity air flow |
| Drift tubes | water or glycol solution (30%)
$q = 2 \text{ l/min}$, $t_1 = \text{max. } 60^\circ\text{C}$ |
| Output resonator | forced air
$q = 2 \text{ m}^3/\text{min}$ at $t_1 = 20^\circ\text{C}$ |
| Collector | water or glycol solution (30%)
See cooling curves |

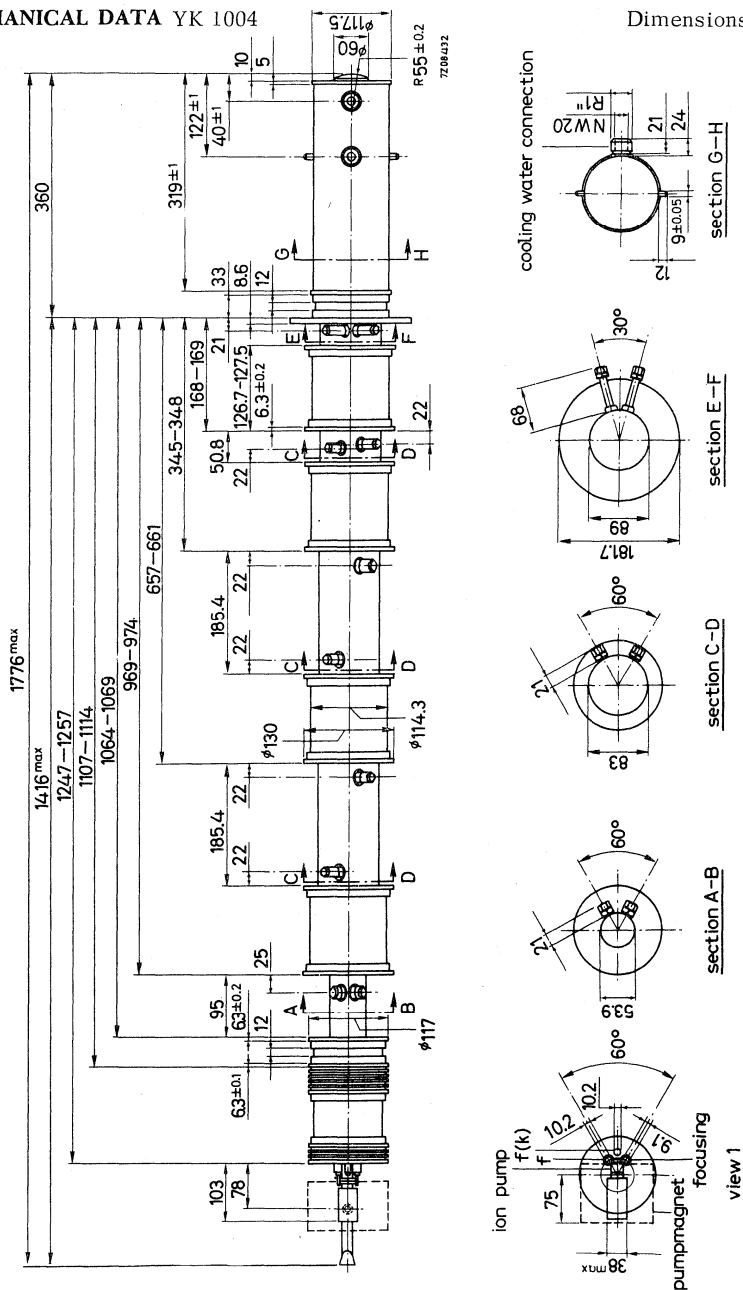
MECHANICAL DATA YK 1000

Dimensions in mm



MECHANICAL DATA YK 1004

Dimensions in mm



Mounting

Vertical, cathode up
All connections should be free from strain.

Accessories

| | |
|-------------------------------------|--------------|
| Heater connector | type 40649 |
| Heater/cathode connector | type 40649 |
| Focusing electrode connector | type 40634 |
| Accelerating electrode connector | type TE 1052 |
| Ion pump connector | type 55351 |
| Magnet unit for ion pump | type TE 1053 |
| Collector connector for YK1004 only | type 40634 |

Weight

| | | |
|------------|---------|---------------|
| Net weight | YK 1000 | approx. 30 kg |
| | YK 1004 | approx. 40 kg |

LIMITING VALUES (Absolute max. rating system).

Unless otherwise mentioned all voltages are specified with respect to ground.

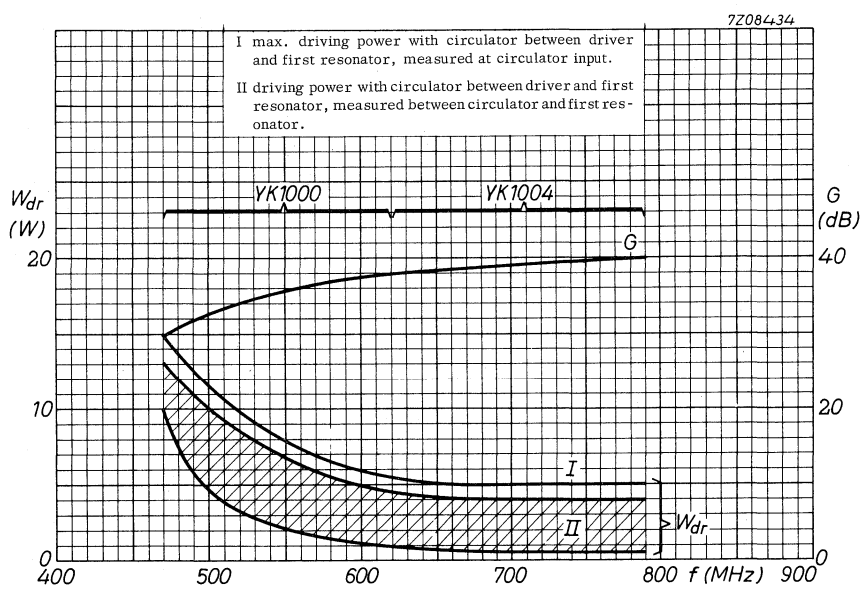
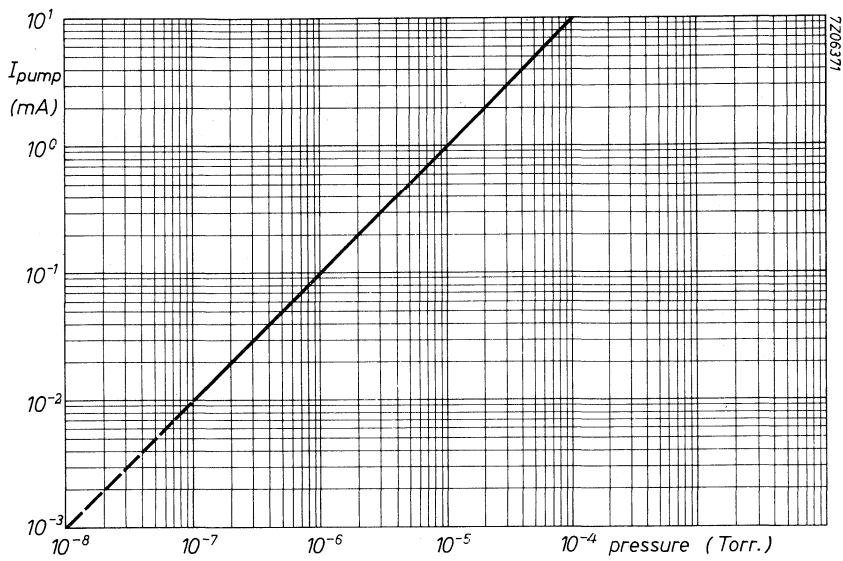
| | | | |
|---------------------------------------|--------------|------|--------|
| Cathode voltage | $-V_k$ | max. | 20 kV |
| Cathode voltage at zero current | $-V_{k_0}$ | max. | 21 kV |
| Cathode current | I_k | max. | 2.1 A |
| Total drift tube current | I | max. | 100 mA |
| Focusing electrode to cathode voltage | $-V_{foc/k}$ | max. | 500 V |
| Pump voltage (cathode reference) | $V_{pump/k}$ | max. | 4 kV |
| Pump current | I_{pump} | max. | 15 mA |
| Temperature limits | | | |
| cathode base | t_k | max. | 125 °C |
| accelerating electrode | $t_{acc.}$ | max. | 125 °C |
| Collector dissipation | W_c | max. | 50 kW |

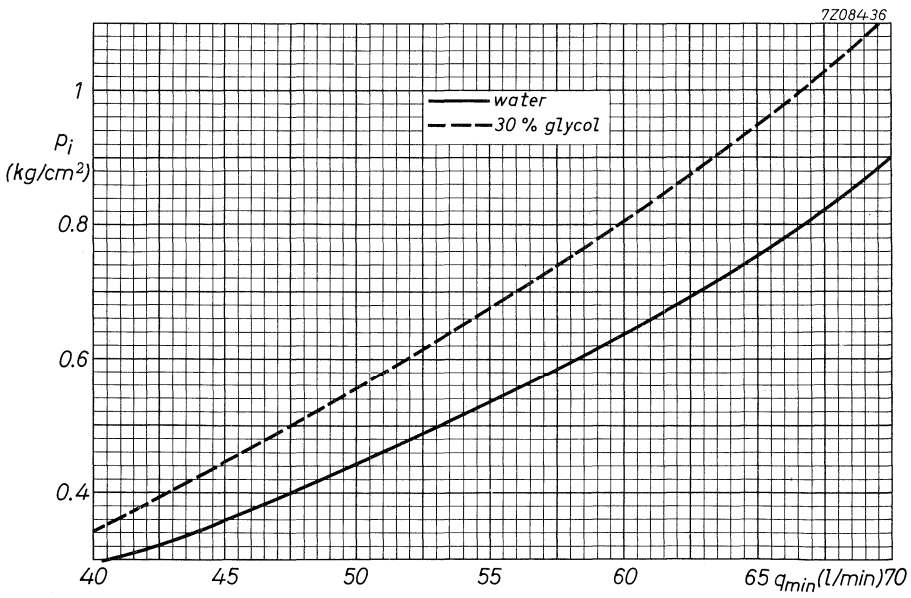
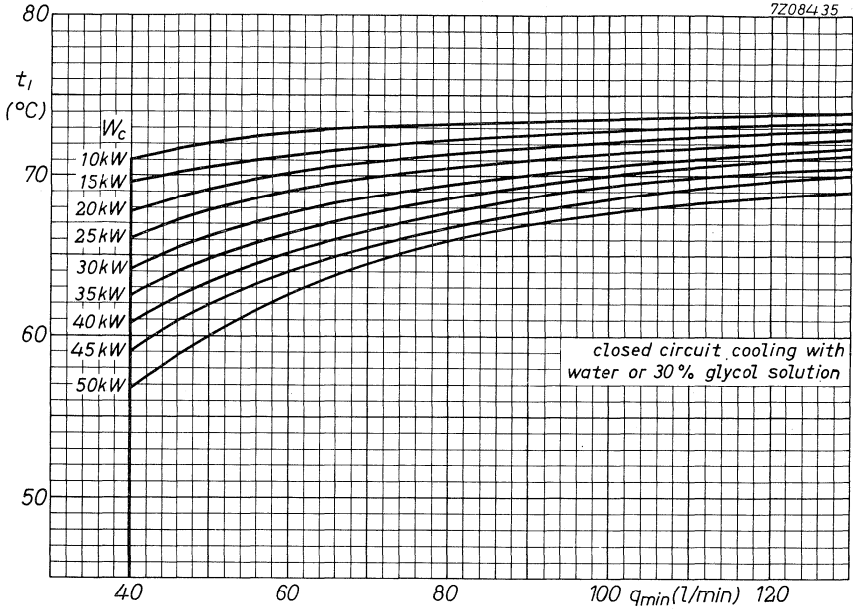
OPERATING CONDITIONS

As a 10 kW T.V. picture amplifier in the band 470 MHz to 790 MHz according to the C.C.I.R. system with negative modulation. Unless otherwise mentioned all voltages are specified with respect to ground.

| | | | |
|---------------------------------------|---------------------|-----------|---------|
| Cathode voltage | V_k | 19.0 | 18.0 kV |
| Focusing electrode to cathode voltage | $V_{foc/k} \approx$ | -250 | -200 V |
| Cathode current | I_k | 2.05 | 2.0 A |
| Drift tube current, static 1) | $I \approx$ | 40 | 40 mA |
| dynamic 2) | $I \approx$ | 50 | 50 mA |
| Driving power, sync | | See curve | |
| Output power, sync | W_o | 11 | 11 kW |
| Power gain | $G \approx$ | 30 | 30 dB |

¹⁾ For optimum operating conditions the electron beam should be focused for minimum drift tube current.





U.H.F. POWER KLYSTRON

Power amplifier klystron in metal-ceramic construction for the frequency band 470 MHz to 860 MHz designed for four external resonant cavities, beam focusing by means of permanent magnets, continuously operating getter ion pump and operation with a depressed collector potential. This klystron is intended for use as U.H.F. power amplifier in vision and/or sound transmitters for the T.V. bands IV and V.

| QUICK REFERENCE DATA | |
|------------------------------------------------------------------------|----------------|
| Frequency | 470 to 860 MHz |
| Power output | 11 kW |
| Power gain | 30 dB |
| YK1001 air cooled drift tubes and air cooled collector | |
| YK1002 air cooled drift tubes and water cooled collector ¹⁾ | |

HEATING: Indirect by A.C. or D.C.

| | |
|----------------|----------------------------------|
| Cathode | dispenser type |
| Heater voltage | V_f 7.5 to 8.0 V ²⁾ |
| Heater current | I_f 32 (\leq 36) A |

The heater current should never exceed a peak value of 80 A when applying an A.C. heater voltage or 65 A when applying a D.C. heater voltage.

| | |
|----------------------------------------------------------------|------------------------|
| Cold heater resistance | R_{f0} 28 m Ω |
| Heating time before application of high voltage (waiting time) | T_w min. 180 s ← |

GETTER ION PUMP POWER SUPPLY

| | |
|--------------------------------------------|------------------------------|
| Pump voltage, unloaded (cathode reference) | V_{pump} 4.0 kV |
| Internal resistance | R_i approx. 300 k Ω |
| Pump current as a function of pressure | I_{pump} see page 8 |

- 1) On request the YK1002 can also be delivered with vapour cooled collector.
- 2) During operation the applied heater voltage should not fluctuate more than $\pm 3\%$. It is advised to operate the klystron at 8 to 8.5 V (including mains fluctuations) during the first 300 hours. Then the heater voltage should be reduced to 7.5 to 8.0 V. ←

COOLING

Except collector applicable up to an air-inlet temperature t_i of 40 °C and an altitude h of 3000 m. (values refer to air inlet)

| | |
|------------------------|-------------------------------------------------------------------------------------------------------|
| Cathode base | air, $q = \text{approx. } 0.5 \text{ m}^3/\text{min}$ |
| Accelerating electrode | air, $q = \text{approx. } 0.5 \text{ m}^3/\text{min}$ |
| Drift tubes 1, 2 and 3 | air, $q = \text{approx. } 1.0 \text{ m}^3/\text{min}$ each |
| Drift tube 4 | air, $q = \text{approx. } 1.5 \text{ m}^3/\text{min}$ |
| Drift tube 5 | forced air, $q = \text{approx. } 1.5 \text{ m}^3/\text{min}$
($p_i = 90 \text{ mm H}_2\text{O}$) |
| Resonant cavity D | forced air, $q = \text{approx. } 2.0 \text{ m}^3/\text{min}$
($p_i = 90 \text{ mm H}_2\text{O}$) |
| Collector YK1001 | forced air, see cooling curves pages 9 and 10 |
| Collector YK1002 | water, see cooling curves page.11 |

MOUNTING

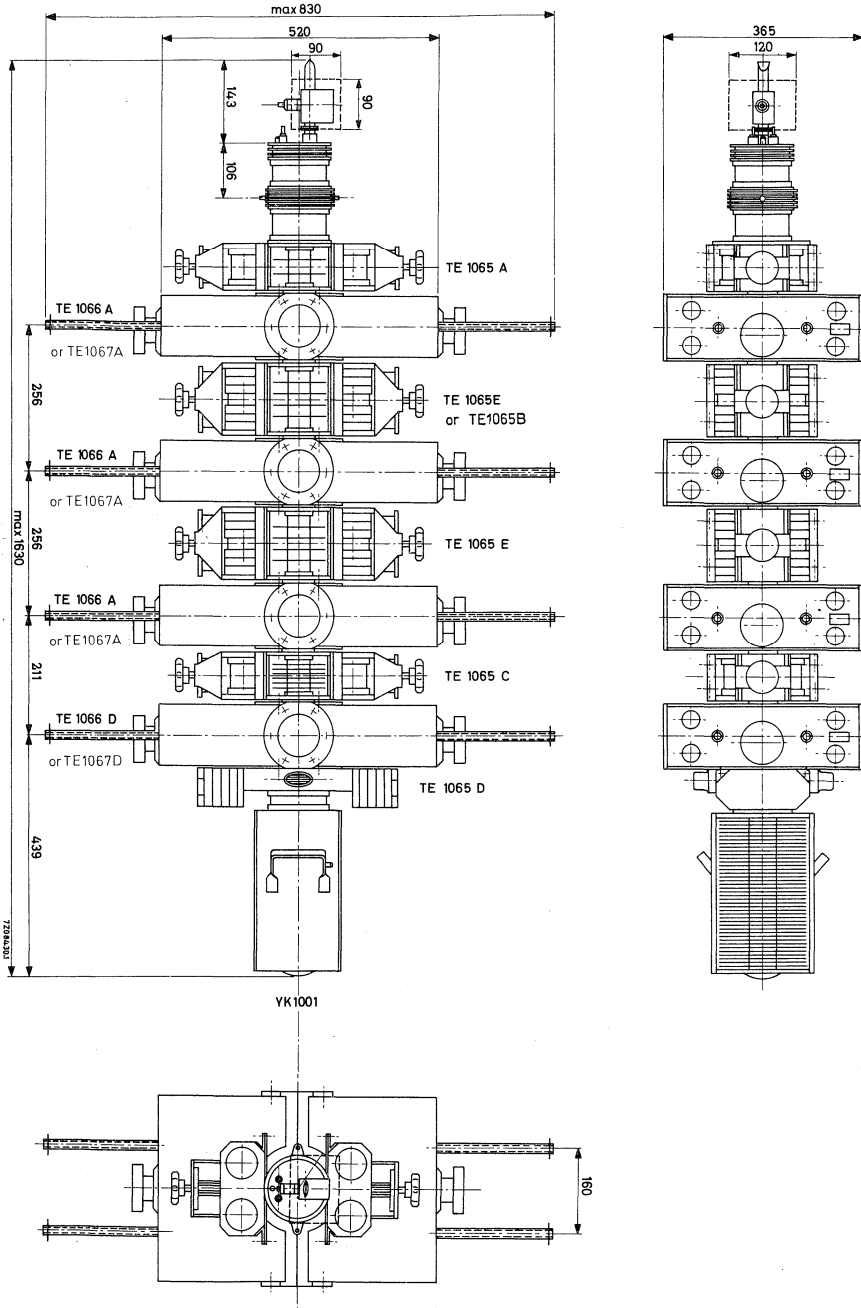
Vertical, cathode up. In order to prevent distortion of the magnetic focusing field ferromagnetic material should not be applied within a radius of 35 cm from the tube axis. All connections should be free from strain.

ACCESSORIES

| | |
|------------------------------------------------------------------------------|------------------------------------------------------------------------------------------------------------------------------------|
| Heater connector | type 40649 |
| Heater/cathode connector | type 40649 |
| Focusing electrode connector | type 40634 |
| Accelerating electrode connector | type 40634 |
| Collector connector | type 40634 |
| Ion pump connector | type 55351 |
| Magnet unit for ion pump | type TE1053 |
| Set of five pairs of focusing magnets | type TE1065 (2xA, 2xB, 2xC, 2xD, 2xE) ²⁾ |
| Set of four resonant cavities
for 470 MHz to 790 MHz | type TE1066 (3xA, 1xD) |
| or | |
| Set of four resonant cavities
for 700 MHz to 860 MHz | type TE1067 (3xA, 1xD) |
| → 2 Magnet field adaptor plates
for collector (YK1001 only) ¹⁾ | type TE1073 |
| Circulators, temperature compensated up to 70 °C (optional) | type 2722 162 01061 (470 MHz to 600 MHz)
01071 (590 MHz to 720 MHz)
01081 (710 MHz to 860 MHz)
01101 (608 MHz to 790 MHz) |

¹⁾ In case of operation with a collector voltage less than -2kV these plates should be fitted along the collector in order to keep the collector temperatures below the max. values. See "Instructions for operation and maintenance".

²⁾ If the klystron is used under T. V. transposer conditions replace 2xB by 2xE.



LIMITING VALUES AND OPERATING CONDITIONS

Unless otherwise mentioned all voltages are specified with respect to ground.

LIMITING VALUES (Absolute max. rating system)

| | | |
|-----------------------------------------------------|------|---------------|
| Heater voltage | max. | 8.5 V |
| Cathode voltage | max. | -22 kV |
| Cathode voltage at zero current | max. | -25 kV |
| Accelerating electrode voltage at zero current | max. | -25 kV |
| Collector voltage | max. | -7 kV |
| | min. | -0.5 kV |
| Focusing electrode to cathode voltage | max. | -700 V |
| | min. | -100 V |
| Series resistance in accelerating electrode circuit | max. | 20 k Ω |
| | min. | 10 k Ω |
| Cathode current | max. | 2.3 A |
| Drift tube current ¹⁾ | max. | 150 mA |
| Beam power | max. | 42 kW |
| Collector dissipation | max. | 40 kW |
| Voltage standing wave ratio | max. | 1.5 |
| Pump voltage | max. | 4.5 kV |
| Pump current | max. | 15 mA |
| Temperature of | | |
| cathode base and accelerating electrode | max. | 125 °C |
| drift tubes 1, 2 and 3 | max. | 80 °C |
| drift tubes 4 and 5 | max. | 150 °C |
| resonant cavity D | max. | 125 °C |
| collector seal YK1001 | max. | 200 °C |
| collector body YK1001 ²⁾ | max. | 300 °C |
| outlet cooling water YK1002 | max. | 75 °C |

1) The limiting values for various operating conditions are given on page 12

2) For safeguarding this temperature limit it is recommended to measure the air outlet temperature at least at two places, viz. one at 5 cm and one at 15 cm from the upper collector plate and at a distance of 5 cm from the cooling fins. See also "Instructions for operation and maintenance".

OPERATING CONDITIONS

During operation the applied voltages should not fluctuate more than $\pm 3\%$. 1)

A. As 5 kW and 10 kW vision amplifier in the band 470 MHz to 860 MHz in accordance with the C.C.I.R. system with negative modulation. 2)3)

Bandwidth (-1 dB): 6 MHz

| | | | | | | |
|-------------------------------------------|-----------|-------|-------|-------|-------|----|
| Output power, peak sync | | 5.5 | 5.5 | 11 | 11 | kW |
| Driving power, peak sync 4)5)6) | | 8 | 8 | 10 | 10 | W |
| Power gain 4) | | 30 | 30 | 30 | 30 | dB |
| Cathode to collector voltage 7) | | -16.0 | -11.5 | -18 | -13.5 | kV |
| Collector voltage 8) | | -0.5 | -5 | -0.5 | -5 | kV |
| Accelerating electrode voltage 9) | | 0 | 0 | 0 | 0 | kV |
| Focusing electrode to cathode voltage 16) | \approx | -400 | -400 | -400 | -400 | V |
| Cathode current | | 1.6 | 1.6 | 1.9 | 1.9 | A |
| Drift tube current, static 10) | | 25 | 30 | 25 | 30 | mA |
| black level 11) | \approx | 40 | 80 | 40 | 100 | mA |
| Differential gain 12) | \approx | 80 | 80 | 80 | 80 | % |
| Sync compression 13) | \leq | 45/25 | 45/25 | 45/25 | 45/25 | |
| V.S.B. suppression 14) | \leq | -20 | -20 | -20 | -20 | dB |
| Noise with ref. to black level 15) | \leq | -46 | -46 | -46 | -46 | dB |

Tuning of cavities with respect to carrier frequency

| | | | |
|-----------|---------|-------|-----|
| Cavity A1 | approx. | + 3 | MHz |
| Cavity A2 | approx. | -0.5 | MHz |
| Cavity A3 | approx. | + 4.5 | MHz |
| Cavity D | approx. | 0 | MHz |

External cavity loading at black level for 11 kW sync power output

| | | | |
|-----------|------|-----|---|
| Cavity A1 | max. | 5 | W |
| Cavity A2 | max. | 100 | W |
| Cavity A3 | max. | 200 | W |

B. As 1 kW, 2 kW and 4 kW TV sound amplifier in the band 470 to 860 MHz 2)3)

| | | | | | | | | |
|-------------------------------|-----------|------|-------|------|-------|------|-------|----|
| Output power | | 1.1 | 1.1 | 2.2 | 2.2 | 4.4 | 4.4 | kW |
| Driving power 4)5) | \leq | 0.5 | 0.5 | 0.5 | 0.5 | 0.5 | 0.5 | W |
| Cathode to coll. voltage 7) | | -18 | -13.5 | -18 | -13.5 | -18 | -13.5 | kV |
| Collector voltage | | -0.5 | -5 | -0.5 | -5 | -0.5 | -5 | kV |
| Acc. electr. voltage | | -9 | -9 | -7.5 | -7.5 | -5.5 | -5.5 | kV |
| Foc. electr. to cath. voltage | \approx | -400 | -400 | -400 | -400 | -400 | -400 | V |
| Cathode current | | 0.5 | 0.5 | 0.7 | 0.7 | 1.0 | 1.0 | A |
| Drift tube current dyn 10) | \approx | 40 | 50 | 40 | 50 | 50 | 70 | mA |

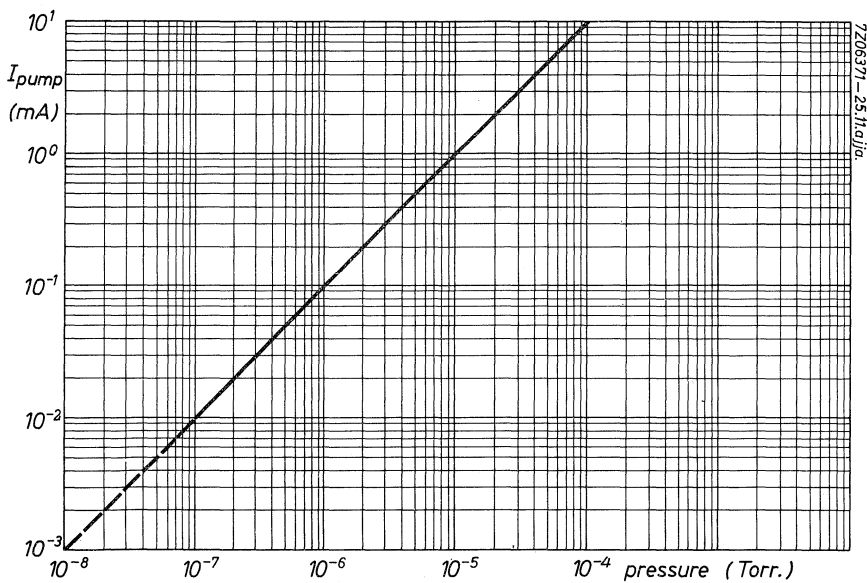
Notes see page 7

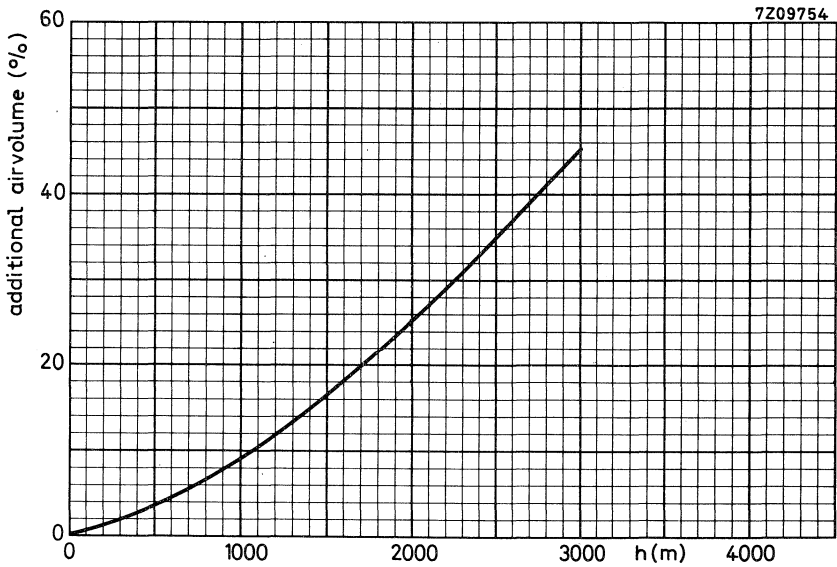
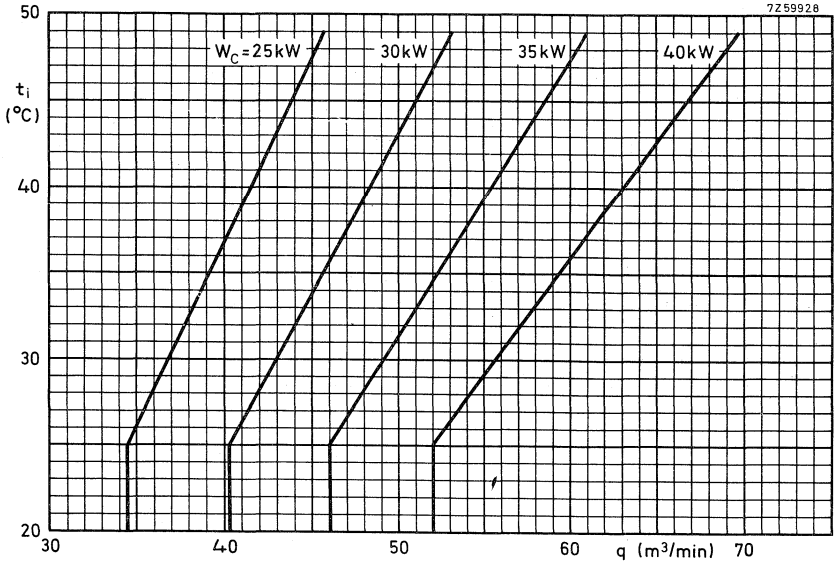
Notes to page 6

- 1) Fluctuations of the beam voltage up to $\pm 3\%$ will not damage the tube; to meet the signal-transfer quality requirements the nominal beam voltage should not vary more than $\pm 1\%$.
- 2) With the appropriate focusing magnets TE1065, cavities TE1066 and a circulator between the driver and input cavity A1.
- 3) In case of a failure all electrode voltages for the klystron except the pump and heater voltages should be switched off, and reduced to less than 5% of the nominal value within 500 ms after the failure has occurred.
- 4) Dependent on operating frequency, see page 12
- 5) The driving power W_{dr} is measured between the circulator and the first cavity at a 50 ohm resistance and represents the sum of the forward and the reflected power in the first cavity.
- 6) A pre-correction is to be introduced in the pre-stage to compensate for the level dependency of the bandpass curve caused by non-linearities of the klystron, see "Instructions for operation and maintenance".
- 7) At frequencies above 790 MHz a higher beam power is required to meet the nominal output requirement. Operating data on request.
- 8) In case of operation with a collector voltage less than -2kV the temperature-compensating plates TE1073 should be fitted along the collector. See "Instructions for operation and maintenance".
- 9) It is recommended to obtain this voltage from a voltage divider between cathode and ground, which should carry a quiescent current of minimum 3 mA.
- 10) To be focused for minimum drift tube current.
- 11) At black level to be focused for minimum drift tube current.
If necessary to obtain the required signal transfer quality, a deviation of max. 10% from this minimum current is permitted. The lim. value, see page 12, may, however, not be exceeded.
- 12) Measured with a sawtooth voltage with amplitude between 17 and 75% of the peak sync value, on which is superimposed a 4.43 MHz sine wave with a 10% peak-to-peak value.
- 13) A picture/sync ratio of 75/25 for the outgoing signal of the klystron requires a ratio of max. 55/45 for the incoming signal.
- 14) Measured with 10 to 70% modulation, without compensation. V.S.B. filter between driver and klystron.
- 15) Produced by the klystron itself, without hum from power supplies.
- 16) The power supply should be adjustable from -100 V to -700 V and be preloaded with min. 10 mA at -700 V.

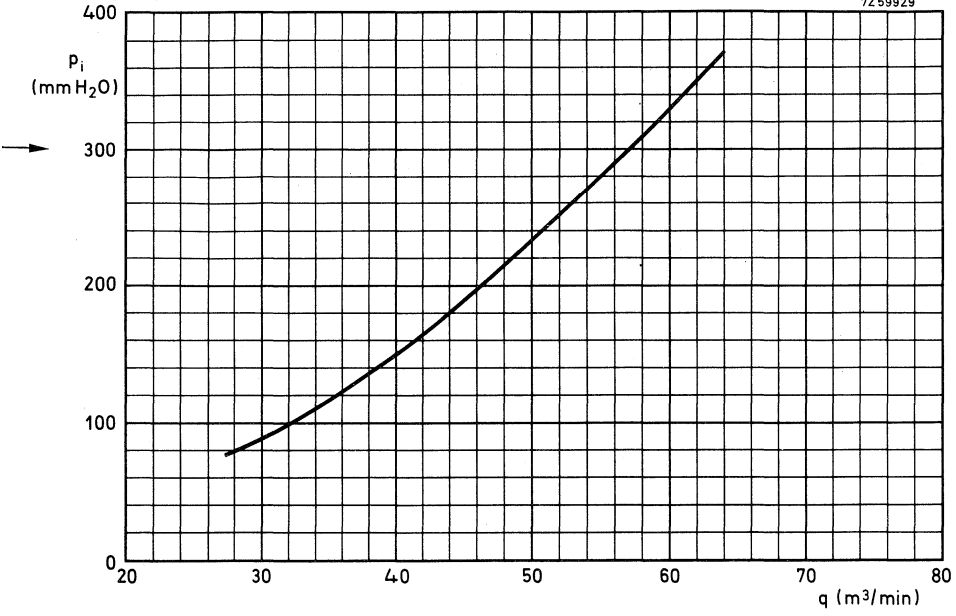
Weight

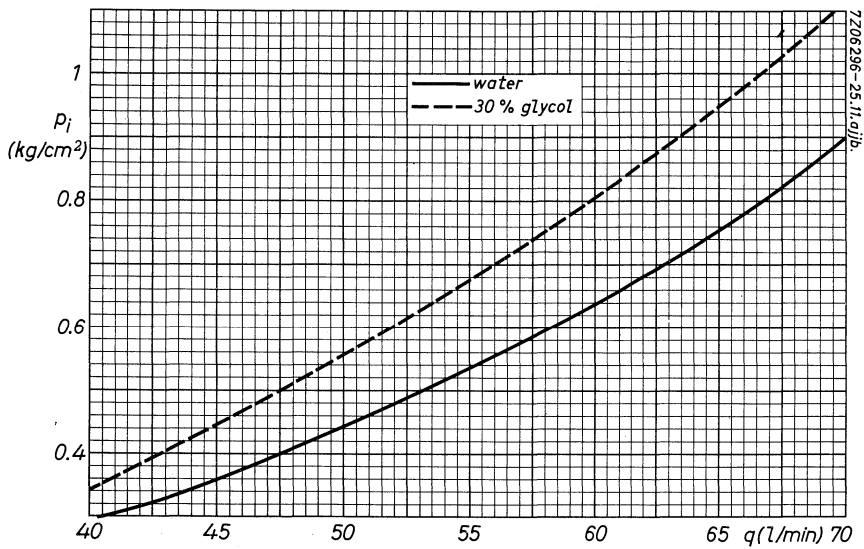
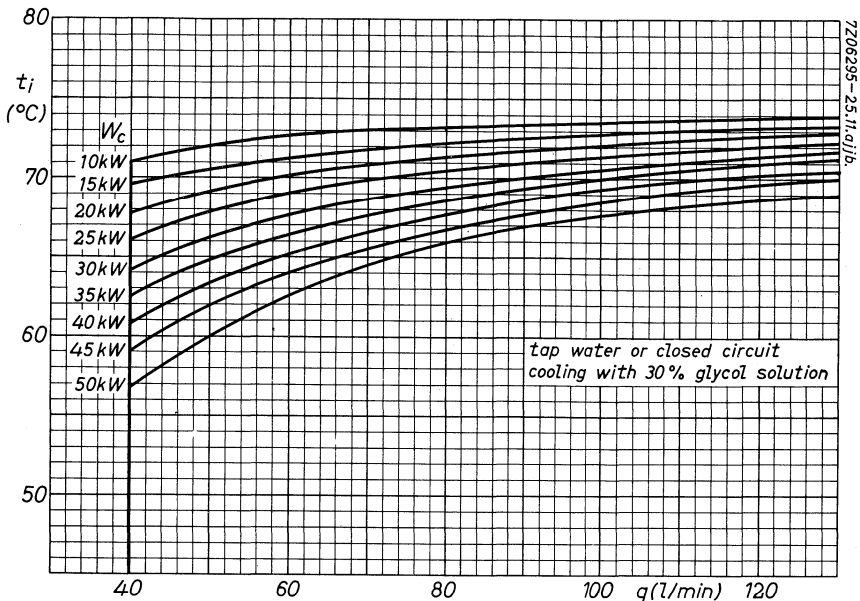
| | | |
|-----------------------------|--------|----------------|
| Net weight | YK1001 | approx. 55 kg |
| | YK1002 | approx. 45 kg |
| Total weight of accessories | | approx. 125 kg |

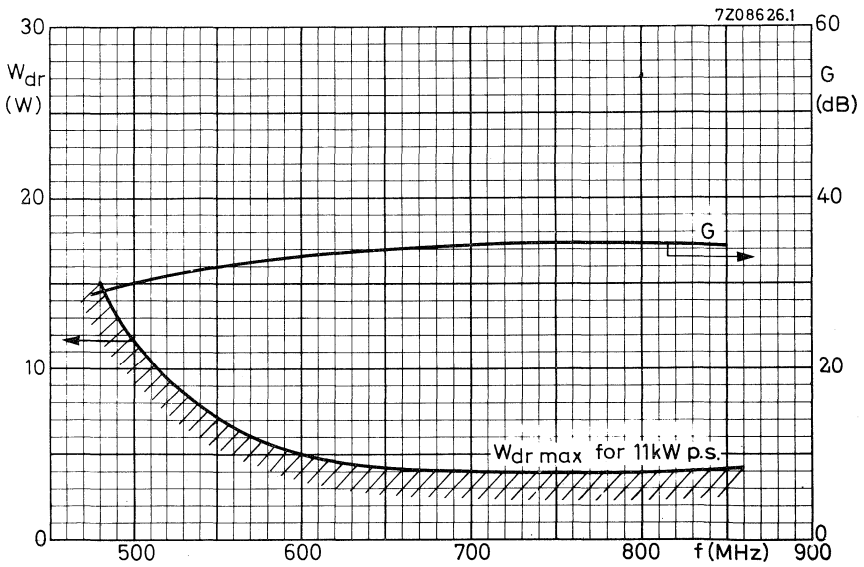
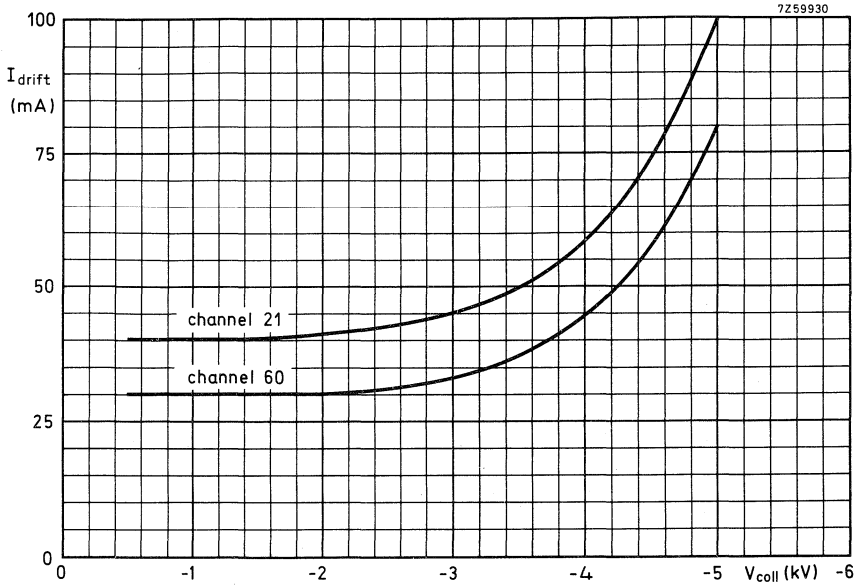




7Z59929







U.H.F. POWER KLYSTRON

Air cooled power amplifier klystron in metal-ceramic construction for the frequency range 470 to 860 MHz, designed for four external resonant cavities, beam focusing by means of permanent magnets, continuously operating getter ion pump and operation with depressed collector potential. This klystron is intended for use as U.H.F. power amplifier in vision and/or sound transmitters as well as in translators for the T.V. bands IV and V.

| QUICK REFERENCE DATA | | |
|---------------------------------|------------|-----|
| Frequency ¹⁾ | 470 to 860 | MHz |
| Power output (vision amplifier) | 11 | kW |
| Power gain | ≈ 40 | dB |

HEATING: Indirect by A.C. or D.C.

| | | |
|-----------------------------------------------------------------------------------------------------------------------------------------------|-----------|----------------------------|
| Cathode | | dispenser type |
| Heater voltage | V_f | 7.5 to 8.0 V ²⁾ |
| Heater current | I_f | 32 (\leq 36) A |
| The heater current should never exceed a peak value of 80 A when applying an A.C. heater voltage or 65 A when applying a D.C. heater voltage. | | |
| Cold heater resistance | R_{f_0} | 28 m Ω |
| Heating time before application of high voltage (waiting time) | T_w | min. 180 s ← |

GETTER ION PUMP POWER SUPPLY

| | | |
|--------------------------------------------|-------------------|------------------------|
| Pump voltage, unloaded (cathode reference) | V_{pump} | 4.0 kV |
| Internal resistance | R_i | approx. 300 k Ω |
| Pump current as function of pressure | I_{pump} | see page 8 |

1) Covered with two sets of resonators.

2) During operation the applied heater voltage should not fluctuate more than $\pm 3\%$. It is advised to operate the klystron at 8.0 to 8.5 V (including mains fluctuations) ← during the first 300 hours. Then the heater voltage should be reduced to 7.5 to 8.0 V.

COOLING

Applicable up to an air-inlet temperature t_i of 40 °C and an altitude h of 3000 m (values refer to air-inlet).

| | |
|--------------------------|----------------------------------------------------------------------------------------|
| Cathode base | air, q = approx. 0.5 m ³ /min |
| Accelerating electrode | air, q = approx. 0.5 m ³ /min |
| Drift tubes 1, 2 and 3 | air, q = approx. 1.0 m ³ /min each |
| Drift tube 4 | air, q = approx. 1.5 m ³ /min |
| Drift tube 5 | forced air, q = approx. 1.5 m ³ /min
(p_i = 90 mm H ₂ O) |
| Resonant cavity (output) | forced air, q = approx. 2.0 m ³ /min
(p_i = 90 mm H ₂ O) |
| Collector | forced air, see cooling curves pages 9, 10 |

MOUNTING

Vertical, cathode up. In order to prevent distortion of the magnetic focusing field, ferromagnetic material should not be applied within a radius of 35 cm from the tube axis. All connections should be free from strain.

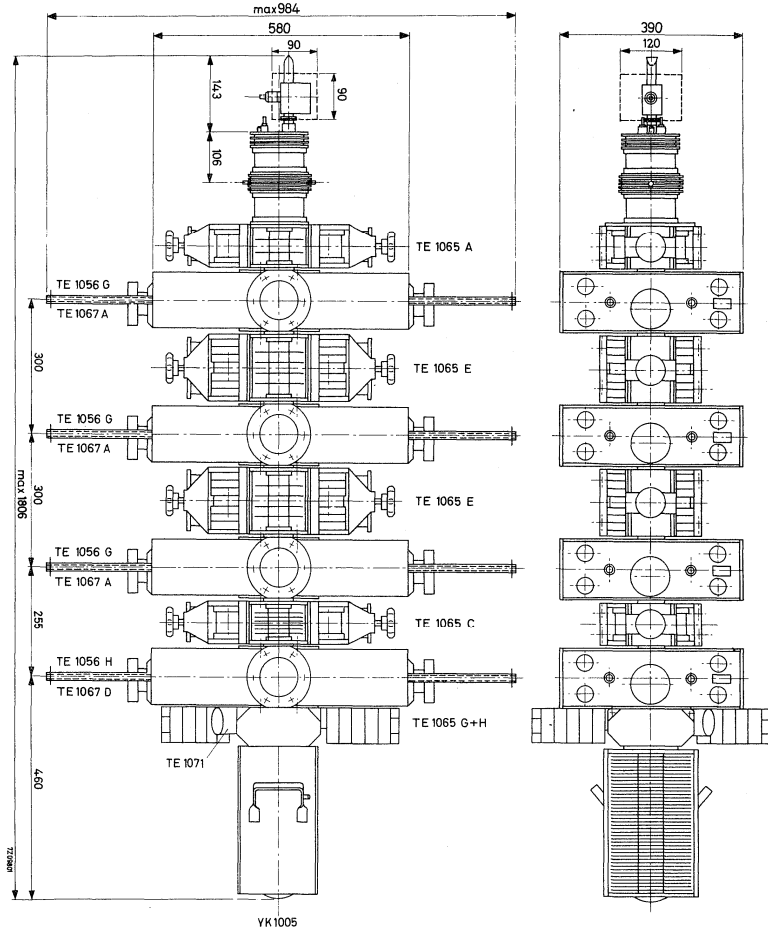


ACCESSORIES

| | |
|-------------------------------------------------------------|------------------------------------------|
| Heater connector | type 40649 |
| Heater/cathode connector | type 40649 |
| Focusing electrode connector | type 40634 |
| Accelerating electrode connector | type 40634 |
| Collector connector | type 40634 |
| Ion pump connector | type 55351 |
| Magnet unit for ion pump | type TE1053 (1x) |
| Set of four resonant cavities
for 470 MHz to 650 MHz, or | type TE1056G (3x) |
| Set of four resonant cavities
for 650 MHz to 860 MHz | type TE1056H (1x) |
| Focusing magnets | type TE1067A (3x) |
| | type TE1067D (1x) |
| | type TE1065A (2x) |
| | TE1065C (2x) |
| | TE1065E (4x) |
| | TE1065G (2x) |
| | TE1065H (2x) |
| Air duct | type TE1071 (1x) |
| Circulators, temperature compensated up to 70 °C (optional) | type 2722 162 01061 (470 MHz to 600 MHz) |
| | 162 01071 (590 MHz to 720 MHz) |
| | 162 01081 (710 MHz to 860 MHz) |
| | 162 01101 (608 MHz to 790 MHz) |

WEIGHT

| | |
|--------------------|----------------|
| Net weight YK1005 | approx. 60 kg |
| Accessories, total | approx. 130 kg |



LIMITING VALUES AND OPERATING CONDITIONS

Unless otherwise mentioned all voltages are specified with respect to ground.

LIMITING VALUES (Absolute max. rating system)

| | | | |
|-----------------------------------------------------|------|------|--------------------|
| Heater voltage | max. | 8.5 | V |
| Cathode voltage | max. | -22 | kV |
| Cathode voltage at zero current | max. | -25 | kV |
| Accelerating electrode voltage at zero current | max. | -25 | kV |
| Collector voltage | max. | -7 | kV |
| | min. | -0.5 | kV |
| Focusing electrode voltage (cathode reference) | max. | -700 | V |
| | min. | -100 | V |
| Series resistance in accelerating electrode circuit | max. | 20 | k Ω |
| | min. | 10 | k Ω |
| Cathode current | max. | 2.3 | A |
| Drift tube current | max. | 150 | mA |
| Collector dissipation | max. | 40 | kW |
| Voltage standing wave ratio | max. | 1.5 | |
| Pump voltage | max. | 4.5 | kV |
| Pump current | max. | 15 | mA |
| Temperature of cathode and accelerating electrode | max. | 125 | $^{\circ}\text{C}$ |
| drift tubes 1, 2 and 3 | max. | 80 | $^{\circ}\text{C}$ |
| drift tubes 4 and 5 | max. | 150 | $^{\circ}\text{C}$ |
| resonant cavity (output) | max. | 125 | $^{\circ}\text{C}$ |
| collector seal | max. | 200 | $^{\circ}\text{C}$ |
| collector body 1) | max. | 300 | $^{\circ}\text{C}$ |

1) For safeguarding this temperature limit it is recommended to measure the air outlet temperature at least at two places, viz. one at 5 cm and one at 15 cm from the upper collector plate and at a distance of 5 cm from the cooling fins.

OPERATING CONDITIONS for depressed collector operation.

During operation the applied voltages should not fluctuate more than $\pm 3\%$ 1). Measured with focusing magnets TE1065 and cavities TE1056 or TE1067.

A. As 10 kW vision amplifier in the band 470 MHz to 860 MHz in accordance with the C.C.I.R. system with negative modulation. 2) 3)

Bandwidth (-1 dB): 6 MHz

| | | | |
|-------------------------------------------|--------------|--------------|-----|
| Frequency | 470 | 790 | MHz |
| Output power, peak sync | 11 | 11 | kW |
| Driving power, peak sync 4) 5) 6) | 2 | < 1 | W |
| Power gain 4) | 38 | > 40 | dB |
| Cathode to collector voltage | -13.5 | -16 | kV |
| Collector to body voltage | -4 | -4 | kV |
| Accelerating electrode to body voltage 7) | 0 | 0 | kV |
| Focusing electrode to cathode voltage 14) | -240 | -600 | V |
| Cathode current | 2.0 | 1.85 | A |
| Body current, static 8) | 30 | 30 | mA |
| , black level 9) | 80 | 60 | mA |
| Linearity 10) | 80 | 80 | % |
| Sync compression 11) | $\leq 45/25$ | $\leq 45/25$ | |
| V.S.B. suppression 12) | -20 | -20 | dB |
| Noise with reference to black level 13) | -46 | -46 | dB |

Tuning of cavities with respect to carrier frequency

| | | | |
|----------|---------|------|-----|
| Cavity 1 | approx. | +3 | MHz |
| Cavity 2 | approx. | -0.5 | MHz |
| Cavity 3 | approx. | +4.5 | MHz |
| Cavity 4 | approx. | 0 | MHz |

External cavity loading at black level for 11 kW sync power output

| | | |
|----------|------|-----|
| Cavity 1 | max. | 5 |
| Cavity 2 | max. | 100 |
| Cavity 3 | max. | 200 |

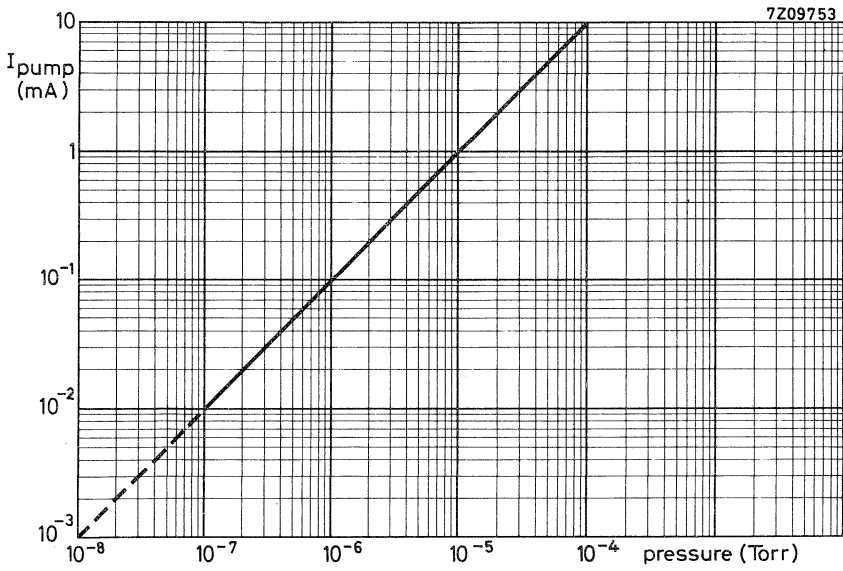
B. As 2 or 4 kW sound amplifier in the band 470 MHz to 860 MHz 2) 3)

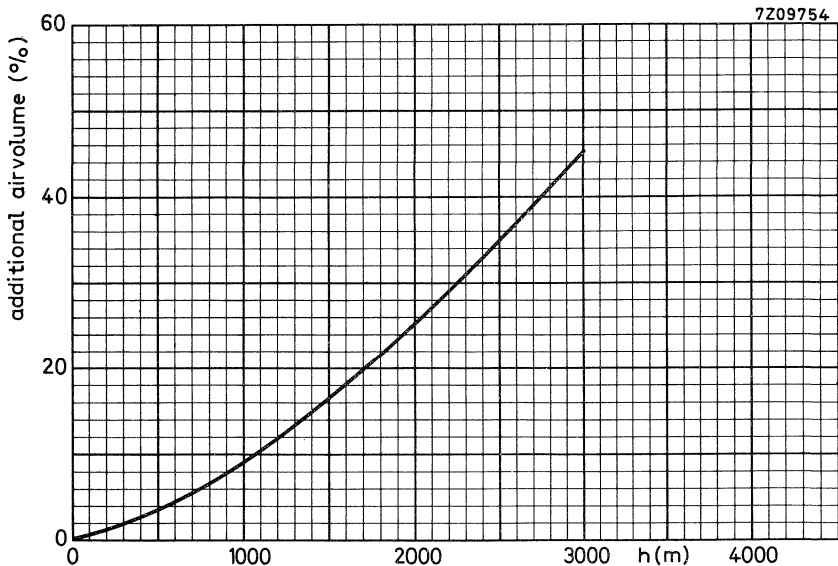
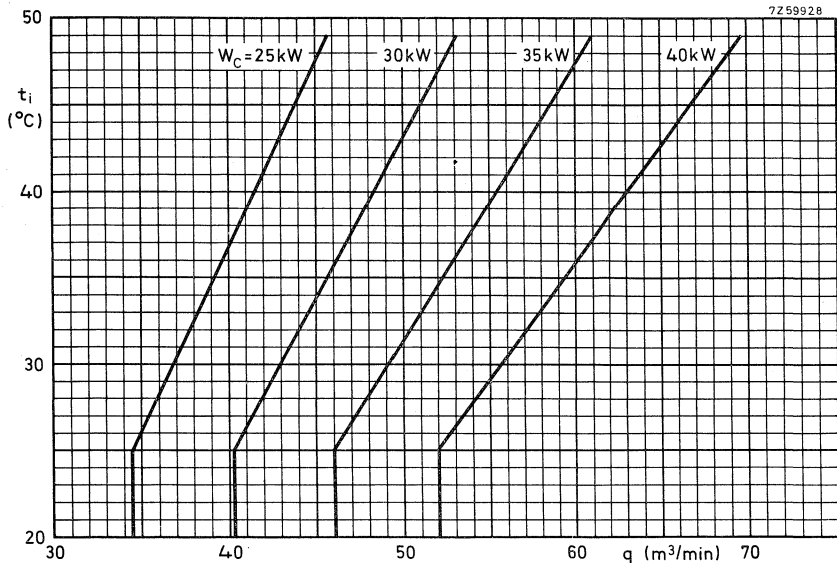
| | | | |
|----------------------------------------|------------|------------|----|
| Output power | 2.2 | 4.4 | kW |
| Driving power | ≤ 0.5 | ≤ 0.5 | W |
| Cathode to collector voltage | -13.5 | -13.5 | kV |
| Collector to body voltage | -5 | -5 | kV |
| Accelerating electrode to body voltage | -7.5 | -5.5 | kV |
| Focusing electrode to cathode voltage | -400 | -400 | V |
| Cathode current | 0.7 | 1.0 | A |
| Body current 8) | 50 | 70 | mA |

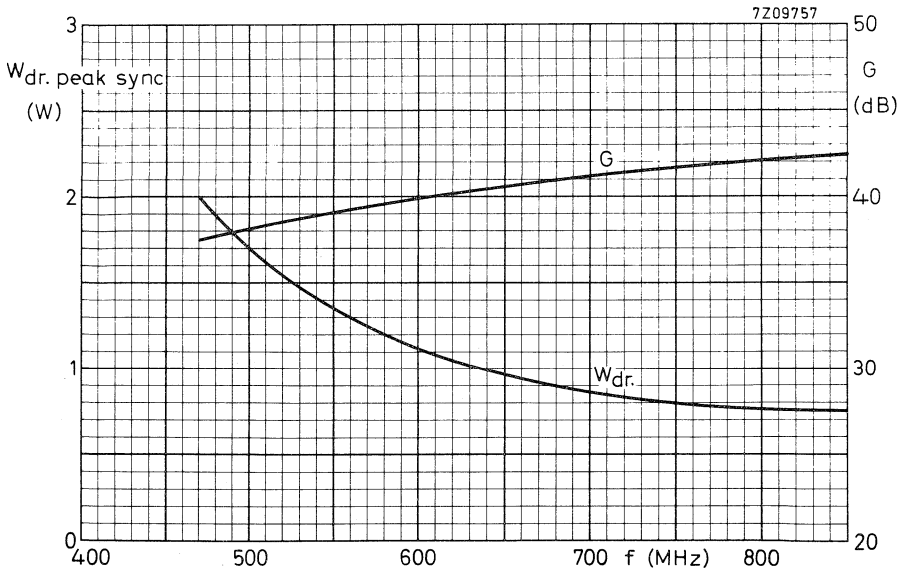
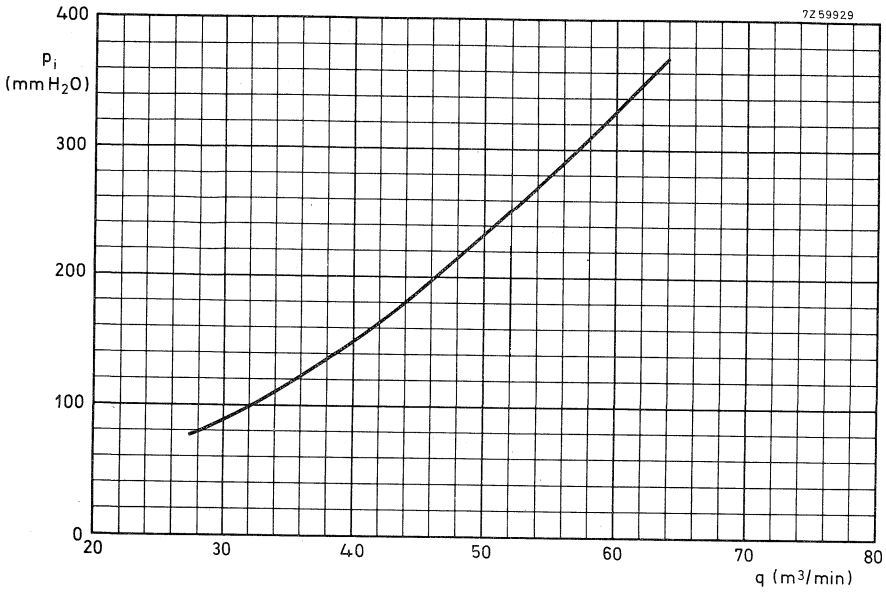
Notes see page 7

Notes to page 6

- 1) Fluctuations of the beam voltage up to $\pm 3\%$ will not damage the tube; to obtain a good signal-transfer quality the nominal beam voltage should not vary more than $\pm 1\%$.
- 2) With a circulator between the driver stage and input cavity 1.
- 3) In case of operating failures all klystron-electrode voltages except the pump and heater voltages should be switched off and made to drop to less than 5% of the nominal value within 500 ms after occurrence of this failure.
- 4) Dependent on operating frequency see page 10 below.
- 5) The driving power W_{dR} is measured between the circulator and first cavity at a 50 Ω resistance and represents the sum of the forward and the reflected power in the first cavity.
- 6) A pre-correction network is to be incorporated in the pre-stage to compensate for the level dependency of the band pass characteristic caused by non-linearities of the klystron.
- 7) It is recommended to obtain this voltage from a voltage divider between cathode and ground, which should carry a quiescent current of min. 3 mA.
- 8) To be focused for minimum body current.
- 9) At black level to be focused for minimum body current.
If necessary to obtain the required signal-transfer quality a deviation of max. 10% from this minimum current is permitted.
- 10) Measured with a sawtooth voltage with amplitude between 17% and 75% of the peak sync value, on which is superimposed a 4.43 MHz sine wave with a 10% peak-to-peak value.
- 11) A picture/sync ratio of 75/25 for the outgoing signal of the klystron requires a ratio of max. 55/45 for the incoming signal.
- 12) Measured with modulation 10 to 75%, without compensation, VSB filter between driver and klystron.
- 13) Produced by the klystron itself; excluded hum from power supplies.
- 14) The power supply should be adjustable from-100 V to-700 V and be pre-loaded with min. 10 mA at-700 V.







PULSED POWER KLYSTRON

Fixed frequency pulsed power klystron in metal-ceramic construction for the range 2998 ± 5 MHz, with 3 internal cavities, electromagnetic focusing, continuously operating getter-ion pump, coaxial input connector and S-band output wave guide, water cooled, intended as amplifier in linear accelerators and similar applications.

| QUICK REFERENCE DATA | | |
|-----------------------------|----------|------------------|
| Frequency 1) | f | 2998 ± 5 MHz |
| Peak power output | W_{Op} | 6 MW |
| Power gain | G | 30 dB |
| Focusing | | electromagnetic |
| Focusing coils and cavities | | integral |
| Cooling | | water |
| R.F. input connector | | coax type N 2) |
| R.F. output flange | | on request |

HEATING : Indirect by A.C. or D.C.

Cathode : oxide coated

| | | |
|----------------|-------|---------------|
| Heater voltage | V_f | 3 to 4.6 V |
| Heater current | I_f | 70 to 82 A 3) |

The heater current should never exceed a peak value of 150 A when applying an A.C. heater voltage or 100 A when applying a D.C. heater voltage.

| | | |
|----------------------------------------------------------------|----------|--------------|
| Cold heater resistance | R_{f0} | 6 m Ω |
| Heating time before application of high voltage (waiting time) | T_w | min. 45 min. |

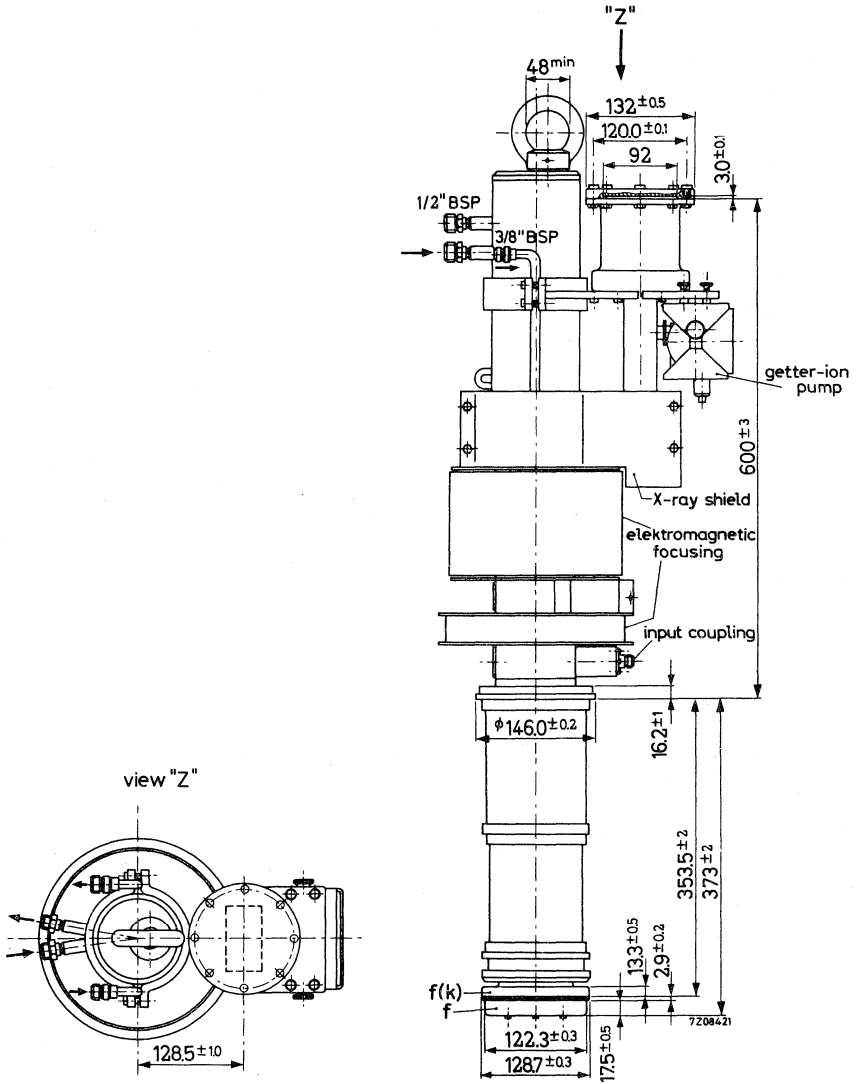
GETTER-ION PUMP POWER SUPPLY

| | | |
|----------------------------------------|------------|------------------------|
| Pump voltage, unloaded | V_{pump} | 4 kV |
| Internal resistance | R_i | approx. 300 k Ω |
| Pump current as a function of pressure | I_{pump} | See page A |

- 1) The klystron is factory tuned to 2998 MHz but can be delivered for any frequency within the range 2993 MHz to 3003 MHz. Other frequencies on request
- 2) Other types on request
- 3) The correct heater current is marked on each tube

MECHANICAL DATA

Dimensions in mm



LIMITING VALUES (Absolute max. rating system) for pulsed operation.

All voltages are specified with respect to ground.

| | | | |
|-------------------------------------|------------|------|------------|
| Cathode voltage, peak | $-V_{kp}$ | max. | 220 kV |
| Cathode current, peak | I_{kp} | max. | 120 A |
| Beam input power, peak | W_i | max. | 25 MW |
| R.F. input power, peak | W_{dr} | max. | 10 kW |
| R.F. output power, peak | W_{op} | max. | 8 MW |
| Pulse repetition rate | p.r.r. | max. | 600 p.p.s. |
| Pulse duration | T_{imp} | max. | 3 μ s |
| Voltage standing wave ratio of load | V.S.W.R. | max. | 1.5 |
| Focusing magnet voltage | V_{magn} | max. | 50 V |
| Focusing magnet current | I_{magn} | max. | 32 A |
| | I_{magn} | min. | 24 A |
| Pump voltage | V_{pump} | max. | 4.5 kV |
| Pump current | I_{pump} | max. | 15 mA |
| Water outlet temperature | t_o | max. | 75 °C |

OPERATING CONDITIONS ¹⁾

| | | |
|---------------------------------------|------------|-------------|
| Frequency | f | 2998 MHz |
| Heater current | I_f | 2) |
| Cathode voltage, peak ³⁾ | V_{kp} | - 210 kV |
| Cathode current, peak | I_{kp} | 100 A |
| mean | I_k | 10 mA |
| Focusing magnet voltage | V_{magn} | 40 V |
| Focusing magnet current ⁴⁾ | I_{magn} | 29 A |
| Pulse repetition rate ⁵⁾ | p.r.r. | 50 p.p.s. |
| Pulse duration | T_{imp} | 2.2 μ s |
| R.F. input power | W_{dr} | 5 kW |
| R.F. output power, peak | W_{op} | 6 MW |
| mean | W_o | 0.66 kW |

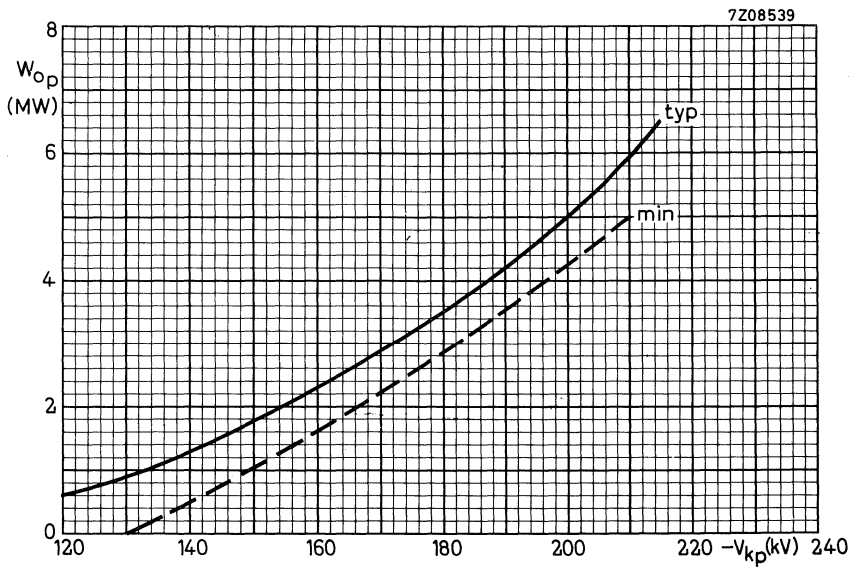
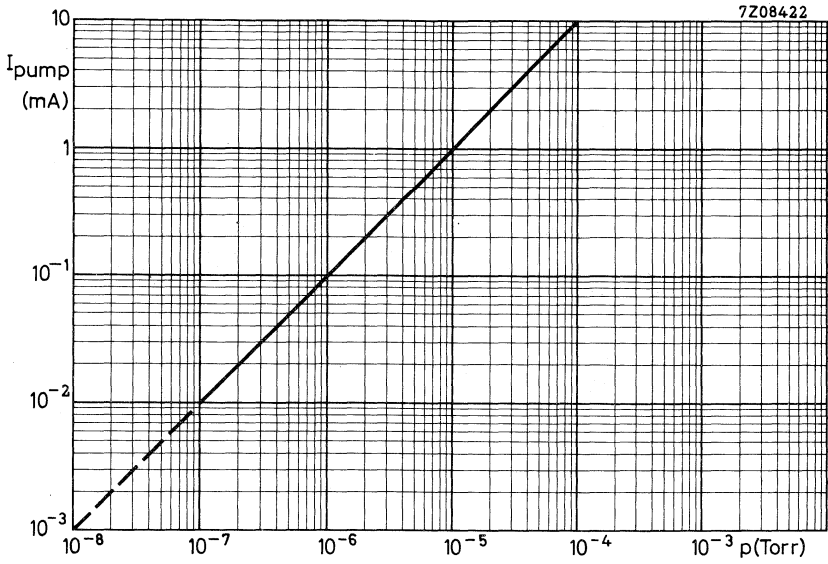
1) When the klystron has not been in operation for some time, conditioning might be required. This should be done by gradually increasing the cathode voltage until in each step stable operation is obtained. Stored tubes require pumping at intervals of approx. 3 month.

2) To be adjusted at the value marked on each tube.

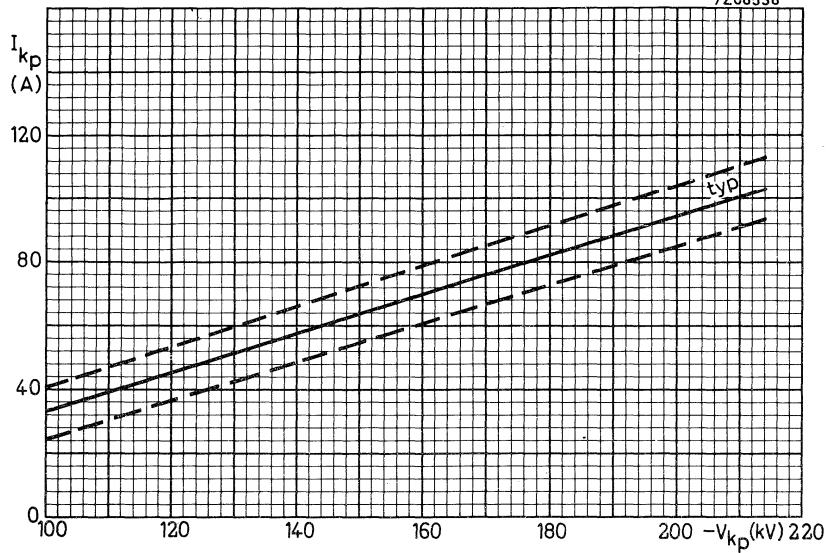
3) For maintaining a minimum output power of 5 MW during life the cathode voltage may be increased to - 215 kV.

4) To be adjusted for max. R.F. output power.

5) Data for operation at p.r.r. higher than 50 p.p.s. on request.



7Z08538



Klystrons, medium and low power

KLYSTRONS, MEDIUM AND LOW POWER, MECHANICALLY TUNABLE

ABRIDGED SURVEY

| Frequency range
(MHz) | Output power
(mW) | Type |
|--------------------------|----------------------|---------|
| 8500 - 9660 | 45 | 2K25 |
| 8702 - 9548 | 40 | 723A/B |
| 9300 - 9500 | 40 | KS9-40 |
| 9320 - 9550 | 45 | KS9-20B |
| 9325 - 9500 | 45 | KS9-20D |
| 9350 - 9550 | 45 | KS9-40B |
| 9380 - 9510 | 40 | KS9-40D |
| 10500 - 12200 | 400 | YK1090 |
| 10500 - 12200 | 400 | YK1091 |
| 31000 - 36000 | 150 | 55335 |
| 67000 - 74000 | 130 | YK1010 |



GENERAL OPERATIONAL RECOMMENDATIONS KLYSTRONS

1. GENERAL

1.1. Data

The characteristic data, operational data, capacitance values and curves apply to an average tube which is characteristic of the type of tube in question.

1.2. Reference point of the electrode voltages

If not otherwise stated the electrode voltages are given with respect to the cathode.

1.3. Operational data

The operational data stated in the data sheets do not relate to any fixed setting instructions. They should rather be regarded as recommendations for the effective use of the tube. On account of the tolerances prevailing, deviations from the settings stated may occur.

It is also possible to use other settings, for which purpose the graphs can be used for finding the operational data, or for which purpose interpolation between the settings stated can be performed. If one wishes to deviate from the settings recommended in the data sheets, one should take great care not to exceed the permissible limiting values. If appreciable deviations occur, the manufacturer should be consulted.

A general rule for multi-cavity klystrons is that the focusing voltage must be adjusted so that the cathode current stated will flow.

1.4. D.C. connections

At all times there should be a D.C. connection between each electrode and the cathode. If necessary, limiting values have been stated for the resistance of these connections.

1.5. Mounting and removal

Large klystrons must be mounted in a vertical position, the cathode terminals pointing upwards. Reflex klystrons may as a rule be mounted in any desired position. The instructions relating to each type of tube can be found in the data sheets and the "Instructions for operation and maintenance".

The mounting and removal should be effected with extreme care to avoid damage to the tube. This also applies to rejected tubes, where claims are made under guarantee.

Ferromagnetic parts must not be used in the vicinity of klystrons equipped with a permanent magnet, as this might have a detrimental effect on the operation

7Z2 9001

of the klystron. If necessary, the ceramic insulators and windows must be carefully cleaned, as dirt may damage the klystron on account of local overheating. Naturally the flange of the output cavity must also be thoroughly cleaned so as to prevent arcing.

The "Instructions for Operation and Maintenance" should in all cases be followed.

1.6. Accessories

Perfect operation of the tubes can only be guaranteed if use is made of the accessories which the manufacturer designed for the tube.

1.7. Supply leads

The supply leads to the connections and terminals must be of such a quality that no mechanical stresses, due to differences in temperature or other causes, can occur.

1.8. Danger of radiation

In general the absorption in the tissues of the body, and hence the danger, is the greater the shorter the wavelength of the H.F. radiation at equal output. The output of klystrons may be so high that injuries (in particular of the eye) can be inflicted.

Klystrons operated at a high voltage (exceeding 16 kV) may moreover emit X-rays of appreciable intensity, which call for protection of the operators.

2. LIMITING VALUES

2.1. Absolute limiting values

In all cases the limiting values stated are absolute maximum or minimum values. They apply either to all settings or to the various modes of operation. The values stated should in no case be exceeded, neither on account of mains-voltage fluctuations and load variations, nor on account of production tolerances in the various building elements (resistors, capacitors, etc.) and tubes, or as a result of meter tolerances when setting the voltages and currents.

Every limiting value should be regarded as the permissible absolute maximum independent of other values. It is not permitted to exceed one limiting value because another is not reached. For instance, one should not allow the limiting value of the collector current to be surpassed while reducing the collector voltage below the permissible limiting value.

If in special cases it should be necessary to exceed a specific limiting value, it is advisable to consult the tube manufacturer, as otherwise no claims can be made.

2.2. Protective circuit

To prevent the limiting values of voltages, currents, outputs and temperatures from being exceeded, fast-operating protective circuits must be provided.

2.3. Drift current

The limiting value indicated for the drift current is an arithmetical mean value.

3. NOTES ON OPERATION

3.1. Operational data and variations

When developing electrical equipment the spread in the tube data must be taken into account; if necessary, the tube tolerances can be applied for.

With respect to the spread in the operational data and the average values stated in the data sheets it is recommended to allow for a certain margin in the output and input powers when designing equipment intended for series production.

3.2. Input power, required driving power

In the data sheets the power stated is the input power W_{dr} fed to the input cavity and measured between the circulator and this cavity at a 50-ohm resistor serving as a substitute for the load presented by the cavity.

3.3. Output power

As a general principle the effective output power is stated.

3.4. Sequence of application of the electrode voltages

With multi-cavity klystrons the electrode voltages must be connected in the order given in the operating instructions.

3.5. Drift current

When the klystron is driven by an A.M. signal (for instance a video signal), the drift current fluctuates with the modulation. Consequently, the power-supply unit must be designed so as to be suitable for the peak values occurring, which may be appreciably higher than the arithmetical mean values stated.

4. HEATING

4.1. Type of current

Klystrons can be heated by means of either standard alternating current or direct current. At other frequencies the tube manufacturer should be consulted.

4.2. Adjusting the heater voltage

The heater voltage generally governs the adjustment of the heating, while the heater current may deviate from its nominal value within fixed tolerances. The heater voltage should be maintained as accurately as possible. For measuring the heater voltage an R.M.S. voltmeter is required. This meter must be directly connected to the filament terminals of the tube and have an inaccuracy $< 1.5\%$ in the voltage range concerned. The indicated measuring value should lie in the uppermost third part of the scale.

4.3. Switching on the heater current

If the data sheet does not contain special data concerning the heater current during switch-on, the tube may be switched on at full heater voltage.

If maximum values are stated for the heater current during switch-on, they relate to the absolute maximum instantaneous value under unfavourable conditions. In the case of A.C. supply this value will occur if the tube is switched on at the maximum amplitude of the highest mains voltage. It is possible to calculate the maximum current during switch-on if the cold resistance and the relationship between the heater current and the heater voltage are known. In practice a heater transformer more or less acting as a leakage transformer is mostly used for limiting the starting current, or a choke coil or resistor is connected in series with the primary of the heater transformer. This choke coil or resistor can be short-circuited by a relay whose action is delayed by about 15 seconds. By means of a calibrated oscilloscope it can be checked whether the starting current remains within the permissible limits; the supply lead may, if necessary, be used as precision resistance.

5. COOLING

5.1. Forced-air cooling

It is essential that the faces of tubes that are to be cooled by an air-blast should be hit as evenly as possible by the air stream, so as to prevent large differences in temperature which may give rise to mechanical stresses. In many cases (in particular with the large types of tubes) an additional air stream must be directed to the metal-to-glass or metal-to-ceramic seals. The cooling air is usually supplied from a fan via an insulating duct. This air should be filtered, so that all impurities and moisture are removed; in addition to this the radiator must be cleaned at regular intervals. The data concerning the cooling can be found in the data sheets. The cooling must be switched on together with the heating. After the klystron has been switched off cooling air must be supplied for some time; this period depends on the size of the tube and the load. If the cooling of whatever part of the tube is interrupted or if the quantity of cooling air is too small, the collector voltage and the heating must be switched off automatically.

5.2. Water-cooling

With water-cooled klystrons the cooling equipment is rigidly attached to the tube. If the equipment should be live, the cooling water must be supplied through insulating pipes, of sufficient length.

The water-cooling and air-cooling for other parts of the tube must be switched on together with the heating. The cooling-water circuit must be arranged so that the water always enters at the bottom, no matter how the tube is mounted. If the pumps should be out of operation, the water jacket(s) of the tube must always be full. In that case after-cooling may in general be done away with.

In many cases the metal-to-glass or metal-to-ceramic seals require additional cooling by a low velocity air flow. If the cooling water supply or additional

7Z2 9004

air-cooling should fail, the collector voltage and heating must immediately be switched off. Further cooling data can be found in the data sheets.

The specific resistance of the cooling water must be min. 20 k Ω -cm, the temporary hardness must be max. 6 German degrees of hardness. On principle distilled water should be used in the circulation cooler; to reduce the corrosive effect of the distilled water about 700 mg of 24-% diamide hydrate and 700 mg sodium silicate must be added per litre. The pH-value should range from 7 to 9.

If frost is to be expected, a suitable anti-freezing mixture should be added.

6. STORAGE

Klystrons may only be stored in their original packing and according to the instructions, so as to avoid damage. For fitting the tubes must be removed from the packing and directly inserted into the support. In all cases the "Instructions for operation and maintenance" must be adhered to.

In the case of prolonged storage the vacuum of high-power klystrons should be checked at intervals of about three months and improved if necessary, both being possible with the aid of the built-in getter ion pump and a suitable power supply / test unit. During this operation the heater supply should preferably be turned on slowly.

TUNABLE REFLEX KLYSTRON

Mechanically tunable reflex klystron for local oscillator applications.

| QUICK REFERENCE DATA | | | |
|------------------------------------|-----------------------------------------------------------------|--------------|-----|
| Frequency, tunable within the band | f | 9.32 to 9.55 | GHz |
| Output power | W_o | 45 | mW |
| Construction | metal, with octal base | | |
| Output connection | coaxial probe for insertion to standard WG 16 launching section | | |

HEATING: Indirect

| | | | |
|----------------|-------|------|---|
| Heater voltage | V_f | 6.3 | V |
| Heater current | I_f | 0.45 | A |

LIMITING VALUES (Absolute max. rating system)

| | | | |
|--------------------------------------------|--------------|-----------|------------|
| Heater voltage | V_f | max. 6.8 | V |
| | | min. 5.8 | V |
| Resonator voltage | V_{res} | max. 330 | V |
| Resonator current | I_{res} | max. 37 | mA |
| Reflector voltage ¹⁾ | V_{refl} | max. -400 | V |
| | | min. 0 | V |
| Cathode to heater voltage | V_{kf} | max. 50 | V |
| Body temperature | t | max. 110 | °C |
| Voltage standing-wave ratio | V. S. W. R. | max. 1.5 | |
| Impedance of the reflector/cathode circuit | $Z_{refl/k}$ | max. 500 | k Ω |

COOLING: natural

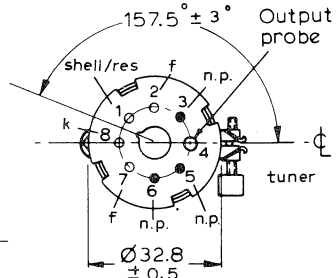
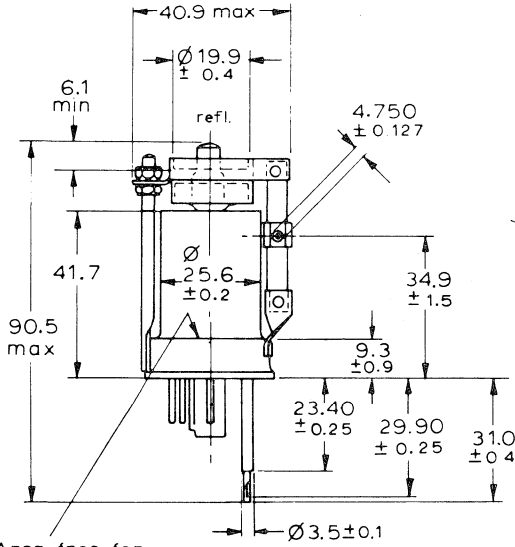
¹⁾ The klystron must not be operated without the reflector supply while the resonator voltage is applied.

Care should be taken in the design of the power supply to ensure that the reflector potential never becomes positive with respect to the cathode.

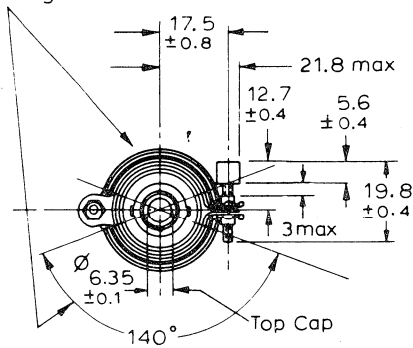
MECHANICAL DATA

Dimensions in mm

Base : Octal, IEC67-1-5f, type 2
 Top cap : $6,35 \pm 0.1 \phi$
 Net weight : approx. 65 g
 Mounting position: Any



Area free for mounting



7Z60181

TEST CONDITIONS AND LIMITS

The klystron is tested to comply with the following electrical specification.

Test conditions ²⁾

| | | | |
|---------------------------------|------------|--------|---|
| Heater voltage | V_f | 6.3 | V |
| Resonator voltage | V_{res} | 300 | V |
| Reflector voltage ¹⁾ | V_{refl} | adjust | |
| Voltage standing-wave ratio | V. S. W.R. | 1.1 | |

Limits and characteristics

| | | Min. | Max. | |
|-------------------------------------------------------|------------------------------|------|------|----------|
| Heater current | I_f | 0.41 | 0.47 | A |
| Resonator current | I_{res} | | 25 | mA |
| Reflector voltage ³⁾ | | | | |
| Mode A, f = 9.32 GHz | V_{refl} | -135 | -175 | V |
| Mode A, f = 9.55 GHz | V_{refl} | -135 | -175 | V |
| Output power ³⁾ | | | | |
| Mode A, f = 9.32 GHz | W_o | 30 | | mW |
| Mode A, f = 9.55 GHz | W_o | 30 | | mW |
| Electronic tuning range to $\frac{1}{2}$ power points | | | | |
| Mode A, f = 9.32 GHz | Δf | 20 | | MHz |
| Mode A, f = 9.55 GHz | Δf | 20 | | MHz |
| Load effect ⁴⁾ | | 10 | | mW |
| Hysteresis ⁵⁾ | | | 0.5 | |
| Frequency temperature coefficient | $-\frac{\Delta f}{\Delta t}$ | | 0.25 | MHz/degC |
| Mechanical tuning range ⁶⁾ | f | 9.32 | 9.55 | GHz |

¹⁾ See page 1

²⁾ ... ⁶⁾ See page 4

OPERATING CHARACTERISTICS Mode A at 9.37 GHzConditions ²⁾

| | | | |
|------------------------------------|-------------|------|---|
| Heater voltage | V_f | 6.3 | V |
| Resonator voltage | V_{res} | 300 | V |
| Reflector voltage ^{1) 3)} | V_{refl} | -155 | V |
| Voltage standing-wave ratio | V. S. W. R. | 1.1 | |

Typical performance

| | | | |
|-------------------------------------------------------|------------|----|-----|
| Resonator current | I_{res} | 22 | mA |
| Output power | W_o | 45 | mW |
| Electronic tuning range to $\frac{1}{2}$ power points | Δf | 35 | MHz |

END OF LIFE PERFORMANCE

The quality of all production is monitored by the random selection of klystrons which are then life tested under the stated test conditions. If the klystron is to be operated under different conditions from those specified above, the manufacturer should be consulted to verify that the life will not be affected. The klystron is considered to have reached the end of life when it fails to meet the following limits when operated as specified on page 3.

| | | | |
|--------------|-------|---------|----|
| Output power | W_o | min. 10 | mW |
|--------------|-------|---------|----|

NOTES

- 1) See page 1.
- 2) With the klystron operated in a standard waveguide launching section as shown on pages 5 and 6.
- 3) Reflector voltage adjusted for the maximum power point of the mode.
- 4) There shall be no discontinuities at the maximum power points nor shall the power fall below that specified as a mismatch represented by a V. S. W. R. of 2.5 is varied through all phases.
- 5) The ratio of the power at which hysteresis is present shall not exceed the limit specified.
- 6) Damage to the tuner may occur if it is adjusted beyond these frequency limits.

INSTALLATION

For good broadband performance the tube should be inserted in a suitable mount. The mount recommended is shown in Fig. 1. It consists of a section of 3 cm waveguide (RG-52/U; outside dimensions 25.4 x 12.7), shortcircuited at one side, into which the aerial of the tube penetrates. The position of the aerial with respect to the waveguide is shown in Fig. 2.

The outer conductor of the output line should reach to the inner side of the waveguide. The broadband R. F. choke provides a good H. F. contact between the output line and the guide.

The tube socket, a modified octal type of which the hole corresponding to the pin No. 4 of the base has been drilled in order to pass the coaxial output line, is fixed rigidly to the waveguide to ensure a correct installation.

The tube should be fixed firmly in the socket by clamps which make contact at the lower platform of the tube only. It may happen that the waveguide is not terminated in a matched load, which will give rise to frequency instability. When a very good frequency stability is required an attenuator of minimum 6dB may be inserted in the guide between the aerial and the load.

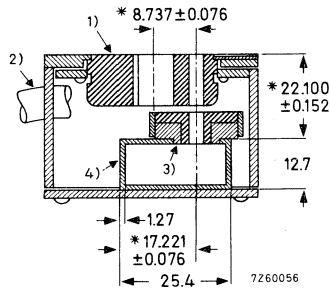


Fig. 1 Cross section of the mount (coupler)

All high frequency surfaces to be silver or gold plated.

Dimensions indicated with * determine the broad band characteristics of the coupler and should be held to the tolerances shown.

- 1) Modified octal socket. Individual pin sockets must be deeper than 12.014 mm.
- 2) Cable to socket connections
- 3) R. F. choke
- 4) Waveguide

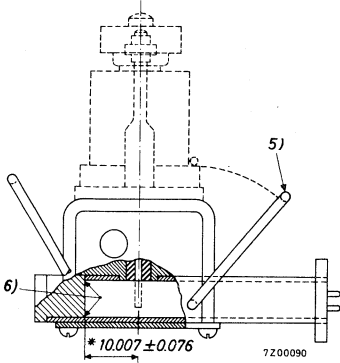


Fig. 2 Side-view of the mount

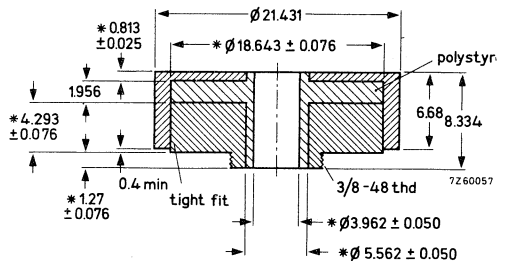


Fig. 4 Cross-section of the R.F. choke
* See under Fig. 1

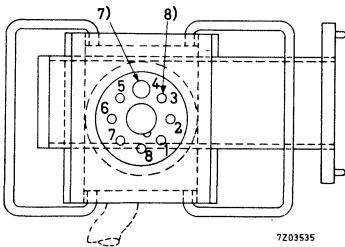


Fig. 3 Top-view of the mount

Remark: The mount and the R.F. choke are not supplied by the tube manufacturer

- 5) Tube clamp
- 6) Inner edges of plug must be brazed to waveguide
- 7) 4.75 mm drill
- 8) Remove socket terminals 3, 4, 5 and 6

TUNABLE REFLEX KLYSTRON

Mechanically tunable reflex klystron for local oscillator applications.

| QUICK REFERENCE DATA | | | |
|------------------------------------|-----------------------------------------------------------------|----------------|-----|
| Frequency, tunable within the band | f | 9.325 to 9.500 | GHz |
| Output power | W_o | 45 | mW |
| Construction | metal, with octal base | | |
| Output connection | coaxial probe for insertion to standard WG 16 launching section | | |

HEATING: Indirect

| | | | |
|----------------|-------|-----|---|
| Heater voltage | V_f | 6.3 | V |
| Heater current | I_f | 0.5 | A |

LIMITING VALUES (Absolute max. rating system)

| | | | |
|--------------------------------------------|--------------|-----------|------------|
| Heater voltage | V_f | max. 6.8 | V |
| | | min. 5.8 | V |
| Resonator voltage | V_{res} | max. 330 | V |
| Resonator current | I_{res} | max. 37 | mA |
| Reflector voltage ¹⁾ | V_{refl} | max. -400 | V |
| | | min. 0 | V |
| Cathode to heater voltage | V_{kf} | max. 50 | V |
| Body temperature | t | max. 110 | °C |
| Voltage standing-wave ratio | V.S.W.R. | max. 1.5 | |
| Impedance of the reflector/cathode circuit | $Z_{refl/k}$ | max. 500 | k Ω |

COOLING: natural

¹⁾ The klystron must not be operated without the reflector supply while the resonator voltage is applied.

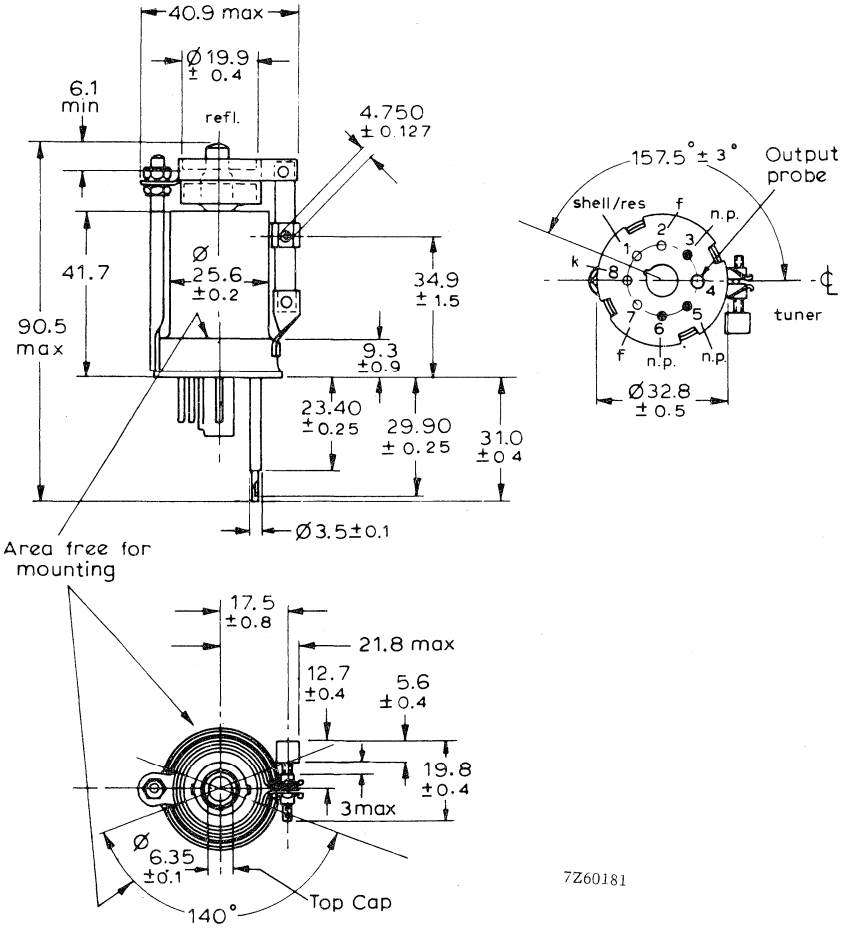
Care should be taken in the design of the power supply to ensure that the reflector potential never becomes positive with respect to the cathode.

KS9-20D

MECHANICAL DATA

Dimensions in mm

- Base : Octal, IEC67-I-5f, type 2
- Top cap : $6,35 \pm 0.1 \phi$
- Net weight : approx. 65 g
- Mounting position : Any



7Z60181

TEST CONDITIONS AND LIMITS

The klystron is tested to comply with the following electrical specification.

Test conditions ²⁾

| | | | |
|---------------------------------|------------|--------|---|
| Heater voltage | V_f | 6.3 | V |
| Resonator voltage | V_{res} | 300 | V |
| Reflector voltage ¹⁾ | V_{refl} | adjust | |
| Voltage standing-wave ratio | V.S.W.R. | 1.1 | |

Limits and characteristics

| | | Min. | Max. | |
|----------------------------------------------------------|------------------------------|-------|-------|----------|
| Heater current | I_f | 0.41 | 0.55 | A |
| Resonator current | I_{res} | | 32 | mA |
| Reflector voltage ³⁾ | | | | |
| f = 9.325 GHz | V_{refl} | -125 | | V |
| f = 9.500 GHz | V_{refl} | | -190 | V |
| Output power ³⁾ | | | | |
| f = 9.325 GHz | W_o | 20 | | mW |
| f = 9.500 GHz | W_o | 20 | | mW |
| Electronic tuning range to
$\frac{1}{2}$ power points | | | | |
| f = 9.325 GHz | Δf | 30 | | MHz |
| f = 9.500 GHz | Δf | 30 | | MHz |
| Load effect ⁴⁾ | | 10 | | mW |
| Hysteresis ⁵⁾ | | | 0.5 | |
| Frequency temperature coefficient | $-\frac{\Delta f}{\Delta t}$ | | 0.25 | MHz/degC |
| Mechanical tuning range ⁶⁾ | f | 9.325 | 9.500 | GHz |

¹⁾ See page 1

²⁾ ... ⁶⁾ See page 4

OPERATING CHARACTERISTICS Mode A at 9.37 GHzConditions ²⁾

| | | | |
|------------------------------------|------------|------|---|
| Heater voltage | V_f | 6.3 | V |
| Resonator voltage | V_{res} | 300 | V |
| Reflector voltage ^{1) 3)} | V_{refl} | -155 | V |
| Voltage standing-wave ratio | V.S.W.R. | 1.1 | |

Typical performance

| | | | |
|-------------------------------------------------------|------------|----|-----|
| Resonator current | I_{res} | 23 | mA |
| Output power | W_o | 45 | mW |
| Electronic tuning range to $\frac{1}{2}$ power points | Δf | 35 | MHz |

END OF LIFE PERFORMANCE

The quality of all production is monitored by the random selection of klystrons which are then life tested under the stated test conditions. If the klystron is to be operated under different conditions from those specified above, the manufacturer should be consulted to verify that the life will not be affected. The klystron is considered to have reached the end of life when it fails to meet the following limits when operated as specified on page 3.

| | | | |
|--------------|-------|---------|----|
| Output power | W_o | min. 10 | mW |
|--------------|-------|---------|----|

NOTES

- 1) See page 1.
- 2) With the klystron operated in a standard waveguide launching section as shown on pages 5 and 6.
- 3) Reflector voltage adjusted for the maximum power point of the mode.
- 4) There shall be no discontinuities at the maximum power points nor shall the power fall below that specified as a mismatch represented by a V.S.W.R. of 2.5 is varied through all phases.
- 5) The ratio of the power at which hysteresis is present shall not exceed the limit specified.
- 6) Damage to the tuner may occur if it is adjusted beyond these frequency limits.

INSTALLATION

For good broadband performance the tube should be inserted in a suitable mount. The mount recommended is shown in Fig. 1. It consists of a section of 3 cm waveguide (RG-52/U; outside dimensions 25.4 x 12.7), shortcircuited at one side, into which the aerial of the tube penetrates. The position of the aerial with respect to the waveguide is shown in Fig. 2.

The outer conductor of the output line should reach to the inner side of the waveguide. The broadband R. F. choke provides a good H. F. contact between the output line and the guide.

The tube socket, a modified octal type of which the hole corresponding to the pin No. 4 of the base has been drilled in order to pass the coaxial output line, is fixed rigidly to the waveguide to ensure a correct installation.

The tube should be fixed firmly in the socket by clamps which make contact at the lower platform of the tube only. It may happen that the waveguide is not terminated in a matched load, which will give rise to frequency instability. When a very good frequency stability is required an attenuator of minimum 6 dB may be inserted in the guide between the aerial and the load.

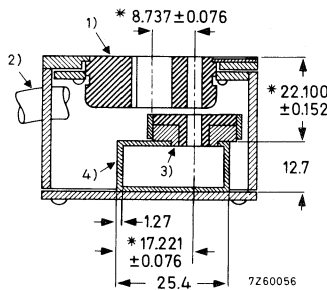


Fig.1 Cross section of the mount (coupler)

All high frequency surfaces to be silver or gold plated.

Dimensions indicated with * determine the broad band characteristics of the coupler and should be held to the tolerance shown.

- 1) Modified octal socket. Individual pin sockets must be deeper than 12.014 mm.
- 2) Cable to socket connections
- 3) R. F. choke
- 4) Wave guide

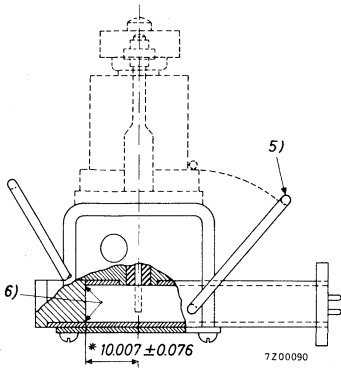


Fig. 2 Side-view of the mount

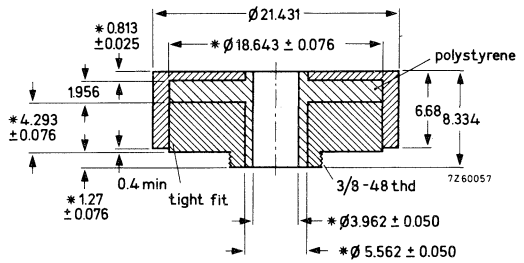


Fig. 4 Cross-section of the R.F. choke

* See under Fig. 1

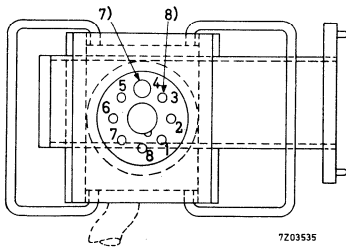


Fig. 3 Top-view of the mount

Remark: The mount and the R.F. choke are not supplied by the tube manufacturer.

- 5) Tube clamp
- 6) Inner edges of plug must be brazed to waveguide
- 7) 4.75 mm drill
- 8) Remove socket terminals 3, 4, 5 and 6

TUNABLE REFLEX KLYSTRON

Mechanically tunable klystron for local oscillator applications.

| QUICK REFERENCE DATA | | | | |
|------------------------------------|------------------|-------|--------------|-----|
| Frequency, tunable within the band | KS9-40 | f | 9.30 to 9.50 | GHz |
| | KS9-40D | f | 9.38 to 9.51 | GHz |
| Power output | | W_0 | 40 | mW |
| Construction | Waveguide output | | | |

HEATING : indirect

| | | |
|----------------|-------|-----|
| Heater voltage | V_f | 6.3 |
| Heater current | I_f | 0.5 |

LIMITING VALUES (Absolute max. rating system)

| | | | | |
|--------------------------------------------------------------|--------------|------|-----|------------|
| Heater voltage | V_f | max. | 6.9 | V |
| | | min. | 5.7 | V |
| Resonator voltage | V_{res} | max. | 350 | V |
| Resonator current | I_{res} | max. | 45 | mA |
| Reflector voltage 1) | $-V_{refl}$ | max. | 400 | V |
| | | min. | 10 | V |
| Body temperature, measured at
temperature measuring point | t | max. | 150 | °C |
| Voltage standing-wave ratio | V. S. W. R. | max. | 1.5 | |
| Impedance of the reflector/cathode circuit | $Z_{refl/k}$ | max. | 100 | k Ω |
| Cathode to heater voltage | V_{kf} | max. | 50 | V |

COOLING : natural

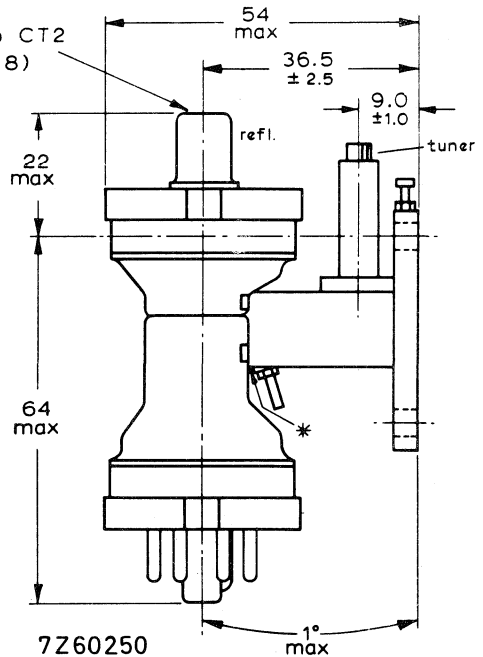
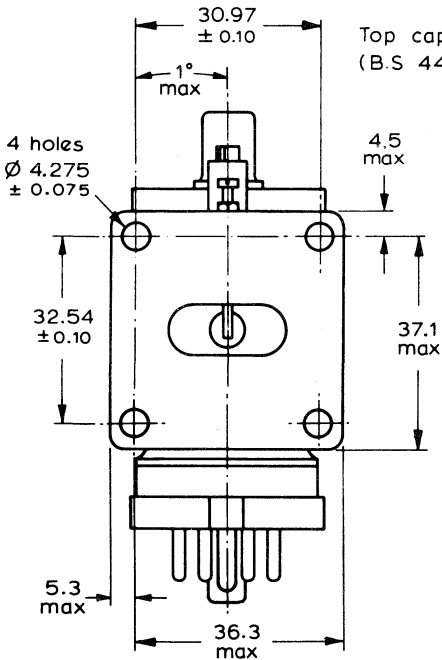
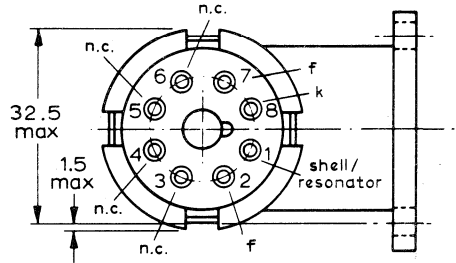
1) The klystron must not be operated without the reflector supply while the resonator voltage is applied. Care must be taken to ensure that the reflector potential never becomes positive with respect to the cathode.

KS9-40 KS9-40D

MECHANICAL DATA

Dimensions in mm

Base : Octal, IEC67-I-5a
 Top cap : CT2, IEC67-III-1a, type 2
 Net weight : approx. 130 g
 Mounting position: Any



* Temperature measuring point

TEST CONDITIONS AND LIMITS

The klystron is tested to comply with the following electrical specification.

Test conditions 1)

| | | | |
|-----------------------------|------------|--------|---|
| Heater voltage | V_f | 6.3 | V |
| Resonator voltage | V_{res} | 300 | V |
| Reflector voltage 2) | V_{refl} | adjust | V |
| Voltage standing-wave ratio | V.S.W.R. | ≤ 1.1 | |

Limits and characteristics

| | Frequency
(GHz) | | Min. | Max. | |
|---------------------------------------------------------------------------|--------------------|------------------------------|------|------|----------|
| Heater current | | I_f | 0.41 | 0.55 | A |
| Resonator current | KS9-40 | I_{res} | - | 45 | mA |
| | KS9-40D | I_{res} | - | 40 | mA |
| Reflector voltage 2) | KS9-40 | V_{refl} | -65 | -115 | V |
| | KS9-40D | V_{refl} | -70 | -120 | V |
| Output power 2) | KS9-40 | W_o | 25 | 50 | mW |
| | KS9-40D | W_o | 25 | 45 | mW |
| Electronic tuning range to ½ power points | KS9-40 | 9.30 to 9.50 | 28 | | MHz |
| | KS9-40D | 9.38 to 9.51 | 30 | | MHz |
| | | | | | |
| Load effect 3) | | | 10 | | mW |
| Hysteresis 4) | | | | 0.5 | |
| Frequency temperature coefficient | | $-\frac{\Delta f}{\Delta t}$ | | 200 | kHz/degC |
| Peak frequency modulation
with vibration at 10 g from
30 to 1000 Hz | | | | 200 | kHz |
| Mechanical tuning range | KS9-40 | f | 9.30 | 9.50 | GHz |
| | KS9-40D | f | 9.38 | 9.51 | GHz |
| Mechanical tuning rate 5) | | | | 150 | MHz/turn |
| Electronic tuning rate at mode centre | | | 2.0 | 3.0 | MHz/V |

Notes: See page 4

OPERATING CHARACTERISTICS at 9.45 GHz

Conditions ¹⁾

| | | | |
|---------------------------------|-------------|-----|---|
| Heater voltage | V_f | 6.3 | V |
| Resonator voltage | V_{res} | 300 | V |
| Reflector voltage ²⁾ | V_{refl} | -90 | V |
| V. S. W. R. | V. S. W. R. | 1.1 | |

Typical performance

| | | | |
|----------------------------------------------------------|------------|----|-----|
| Resonator current | I_{res} | 28 | mA |
| Output power | W_o | 40 | mW |
| Electronic tuning range to
$\frac{1}{2}$ power points | Δf | 40 | MHz |

END OF LIFE PERFORMANCE

The quality of all production is monitored by the random selection of klystrons which are then life tested under the stated test conditions. If the klystron is to be operated under different conditions from those specified above, the manufacturer should be consulted to verify that the life will not be affected. The klystron is considered to have reached the end of life when it fails to meet the following limits when operated as specified under "Test conditions and limits".

| | | | | |
|--------------|-------|------|----|----|
| Output power | W_o | min. | 20 | mW |
|--------------|-------|------|----|----|

NOTES

- 1) With the klystron rigidly connected to and in good thermal contact with a UG-39/U flange on an appropriate RG-52/U (W. G. 16) waveguide.
- 2) Reflector voltage adjusted for the maximum power point of the mode.
- 3) There shall be no discontinuities at the maximum power points nor shall the power fall below that specified as a mismatch represented by a V. S. W. R. of 1.5 is varied through all phases.
- 4) The ratio of the power at which hysteresis is present must not exceed the limit specified.
- 5) Average over the frequency range. The frequency is decreased when tuner is rotated in a clockwise direction.

TUNABLE REFLEX KLYSTRON

Mechanical tunable klystron for local oscillator applications.

| QUICK REFERENCE DATA | |
|------------------------------------|-----------------------------------|
| Frequency, tunable within the band | f 9.35 to 9.55 GHz |
| Output power | W _o 45 mW |
| Construction | Waveguide output,
flying leads |

HEATING : indirect

| | | |
|----------------|----------------|----------|
| Heater voltage | V _f | 6.3 V |
| Heater current | I _f | 0.5 A |

LIMITING VALUES (Absolute max. rating system)

| | | |
|-------------------------------------------------------------|---------------------|---------------------------------------|
| Heater voltage | V _f | max. 6.9 V
min. 5.7 V |
| Resonator voltage | V _{res} | max. 350 V |
| Resonator current | I _{res} | max. 45 mA |
| Reflector voltage ¹⁾ | V _{refl} | max. -400 V
min. -10 V |
| Body temperature measured at
temperature measuring point | t | max. 150 °C |
| Voltage standing-wave ratio | V.S.W.R. | max. 1.5 |
| Impedance of the reflector/cathode circuit | Z _{refl/k} | max. 100 kΩ |

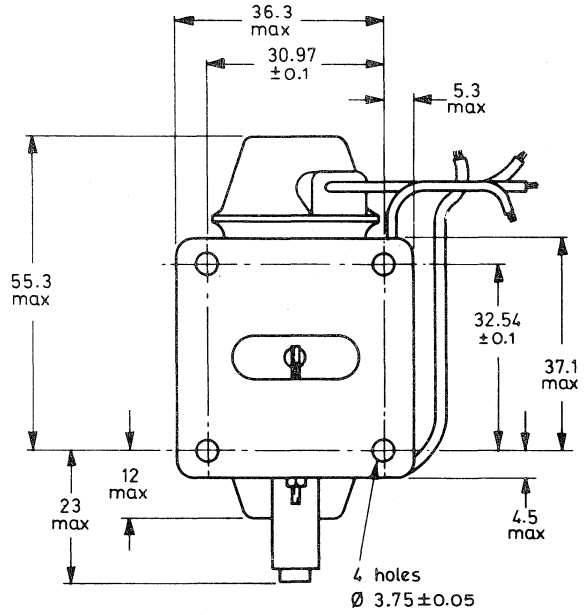
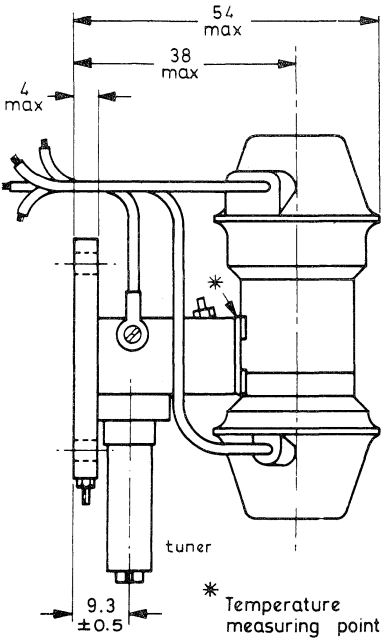
COOLING : natural

¹⁾ The klystron must not be operated without the reflector supply while the resonator voltage is applied. Care must be taken to ensure that the reflector potential never becomes positive with respect to the cathode.

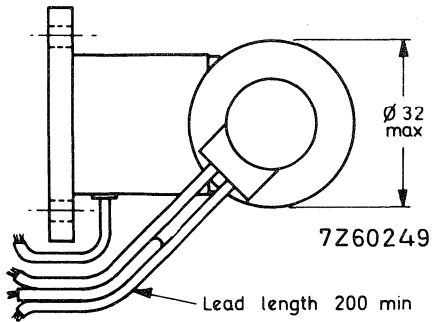
MECHANICAL DATA

Dimensions in mm

Net weight: approx. 130 g
 Mounting position: Any



Outlet via waveguide RG-52 / U (W.G.16) to take bolted plain flange similar to UG-39 / U



| Lead colour code | |
|------------------|------------------|
| White | Heater / cathode |
| Yellow | Heater |
| Grey | Reflector |
| Brown | Resonator |

TEST CONDITIONS AND LIMITS

The klystron is tested to comply with the following electrical specification.

Test conditions 1)

| | | | |
|-----------------------------|-------------|------------|---|
| Heater voltage | V_f | 6.3 | V |
| Resonator voltage | V_{res} | 300 | V |
| Reflector voltage 2) | V_{refl} | adjust | |
| Voltage standing-wave ratio | V. S. W. R. | ≤ 1.1 | |

Limits and characteristics

| | Frequency
(GHz) | | min. | max. | |
|------------------------------------------------------------------------|--------------------|------------------------------|------|------|----------|
| Heater current | | I_f | 0.41 | 0.55 | A |
| Resonator current | | I_{res} | 15 | 25 | mA |
| Reflector voltage 2) | 9.35 to 9.55 | V_{refl} | -60 | -115 | V |
| Output power 2) | 9.35 | W_o | 30 | | mW |
| | 9.55 | W_o | 30 | | mW |
| Electronic tuning range to
$\frac{1}{2}$ power points | 9.35 | Δf | 20 | 50 | MHz |
| | 9.55 | Δf | 20 | 50 | MHz |
| Load effect 3) | | | 10 | | mW |
| Hysteresis 4) | | | | 0.5 | |
| Frequency temperature coefficient | | $-\frac{\Delta f}{\Delta t}$ | | 200 | kHz/degC |
| Peak frequency modulation with
vibration at 10 g from 30 to 1000 Hz | | | | 200 | kHz |
| Mechanical tuning range | | f | 9.35 | 9.55 | GHz |
| Mechanical tuning rate 5) | | | | 150 | MHz/turn |
| Electronic tuning rate at mode centre | | Δf | 2.0 | 3.0 | MHz/V |

OPERATING CHARACTERISTICS at 9.45 GHzConditions 1)

| | | | |
|-----------------------------|-------------|-----|---|
| Heater voltage | V_f | 6.3 | V |
| Resonator voltage | V_{res} | 300 | V |
| Reflector voltage 2) | V_{refl} | -90 | V |
| Voltage standing-wave ratio | V. S. W. R. | 1.1 | |

Typical performance

| | | | |
|----------------------------------------------------------|------------|-----|----------|
| Resonator current | I_{res} | 21 | mA |
| Output power | W_o | 45 | mW |
| Electronic tuning range to
$\frac{1}{2}$ power points | Δf | 40 | MHz |
| Mechanical tuning rate | | 100 | MHz/turn |

END OF LIFE PERFORMANCE

The quality of all production is monitored by the random selection of klystrons which are then life tested under the stated test conditions. If the klystron is to be operated under different conditions from those specified above, the manufacturer should be consulted to verify that the life will not be affected. The klystron is considered to have reached the end of life when it fails to meet the following limits when operated as specified under "Test conditions and limits".

| | | | |
|--------------|------------|----|----|
| Output power | W_o min. | 20 | mW |
|--------------|------------|----|----|

NOTES

- 1) With the klystron rigidly connected to and in good thermal contact with a UG-39/U flange on an appropriate RG-52/U (W. G. 16) waveguide.
- 2) Reflector voltage adjusted for the maximum power point of the mode.
- 3) There shall be no discontinuities at the maximum power points nor shall the power fall below that specified as a mismatch represented by a V. S. W. R. of 1.5 is varied through all phases.
- 4) The ratio of the power at which hysteresis is present shall not exceed the limit specified.
- 5) Average over the frequency range. The frequency is decreased when the tuner is rotated in a clockwise direction.

TUNABLE REFLEX KLYSTRON

Forced-air cooled mechanically tunable reflex klystron in metal construction with micrometer tuning and waveguide output for local oscillator applications.

| QUICK REFERENCE DATA | | |
|------------------------------------|-------|------------------|
| Frequency, tunable within the band | f | 67 to 74 GHz |
| Power output | W_0 | 130 mW |
| Construction | | Waveguide output |

HEATING: indirect; dispenser type cathode

| | | | |
|------------------------|----------|--------|-------------------|
| Heater voltage | V_f | = | 3.5 V |
| Heater current | I_f | = | 1.75 ± 0.02 A |
| Cold heater resistance | R_{f0} | = | 0.3 Ω |
| Waiting time | T_w | = min. | 15 min |

LIMITING VALUES (Absolute limits)

| | | | |
|-----------------------------|-------------|--------|-------------------------------------|
| Heater surge current | I_f surge | = max. | 4 A |
| Resonator voltage | V_{res} | = max. | 2.6 kV |
| Resonator current | I_{res} | = max. | 20 mA |
| Resonator dissipation | W_{res} | = max. | 45 W |
| Negative grid voltage | $-V_g$ | = | 0 to 200 V |
| Negative reflector voltage | $-V_{refl}$ | = | 20 to 500 V |
| Resonator block temperature | t_{res} | = max. | 80 $^{\circ}\text{C}$ ¹⁾ |

TYPICAL CHARACTERISTICS

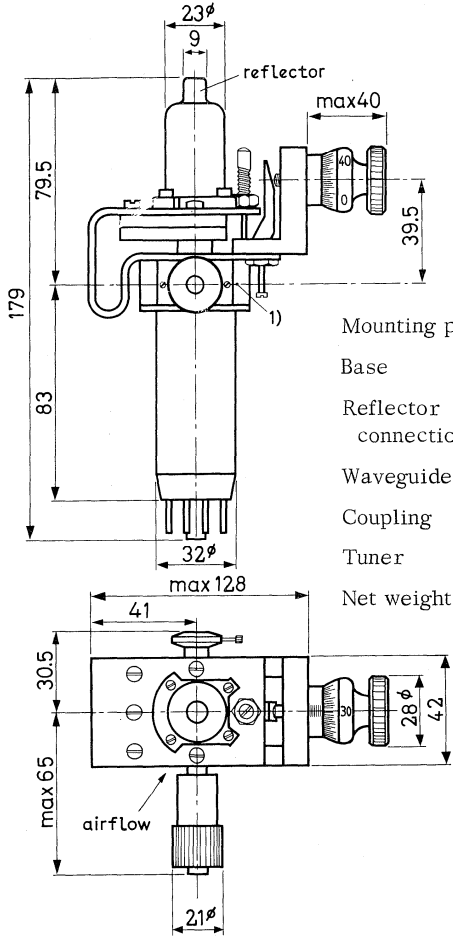
| | | | |
|--------------------------------------------|-----|---|------------------|
| Mechanical tuning range | f | = | 67 to 74 GHz |
| Mechanical tuning rate, average over range | | = | 3.5 GHz per turn |

 All voltages are given with respect to the cathode

¹⁾ For temperature measuring point see outline drawing

MECHANICAL DATA

Dimensions in mm



- Mounting position: any
- Base Octal
- Reflector connection I.E.C. 67-III-1a type 2
- Waveguide I.E.C. -R740 (RG99U)
- Coupling Claw flange I.E.C. -F-R740
- Tuner Single micrometer screw
- Net weight 1 kg

The tube is equipped with the output waveguide I.E.C. -R740 (RG99U) with claw flange I.E.C. -F-R740 and clamping ring. A loose claw flange is added for adaptation to other coupling systems if necessary.

COOLING

Forced air, min. 200 l/min, nozzle 30 mm ϕ

1) Temperature measuring point

OPERATING CHARACTERISTICS

| | | | |
|------------------------------------------------------|------------|---|---------|
| Frequency | f | = | 70 GHz |
| Resonator voltage | V_{res} | = | 2.5 kV |
| Resonator current | I_{res} | = | 18 mA |
| Reflector voltage | V_{refl} | = | -330 V |
| Grid voltage | V_g | = | -50 V |
| Output power | W_o | = | 130 mW |
| Electronic tuning range between
half-power points | Δf | = | 100 MHz |

INSTALLATION AND OPERATION NOTES

As the resonator is integral with the tuner, backplunger and waveguide, it is preferred to operate the resonator at earth potential. If the cathode is earthed and resonator, etc. placed at H.T. adequate shielding is necessary to protect the operator against injuries.

With earthed resonator the heater transformer should be insulated for the maximum resonator voltage, whereas the reflector power supply should be insulated to withstand the total resonator and reflector voltage.

Where the tube is to be operated in the presence of strong magnetic fields, shielding of the resonator and reflector leads may be required, so as to avoid undesirable modulation of the output.

Before applying any voltage be sure that the reflector is connected and the series impedance between reflector and cathode does not exceed $75 \text{ k}\Omega$.

The reflector voltage must never be allowed to become positive with respect to the cathode. In doubtful cases a diode should be applied between the reflector and cathode to prevent the reflector from becoming positive.

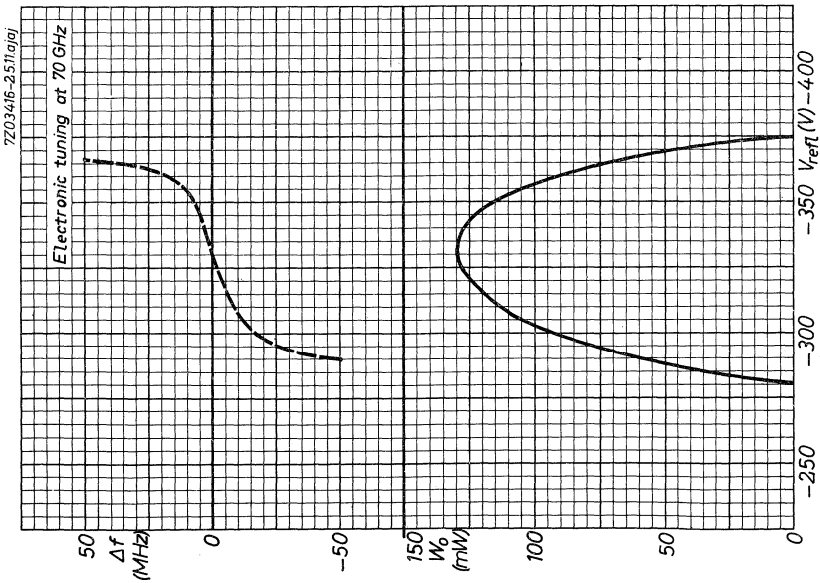
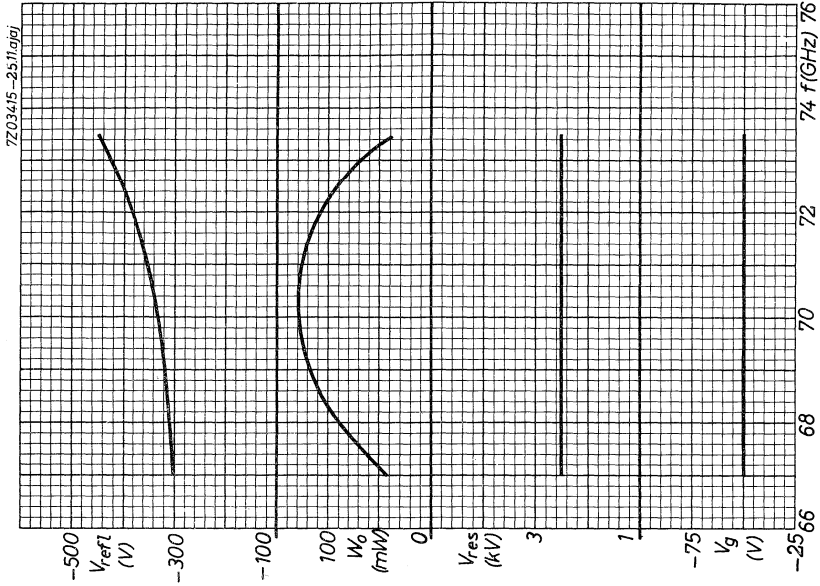
Further the reflector voltage must be applied prior to the resonator voltage.

The internal impedance of the grid supply should not exceed $10 \text{ k}\Omega$.

Neglecting these precautions will damage the tube

The heater current should be gradually increased up to the specified value and kept within its tolerance. After a preheating time of 15 minutes the other voltages may be switched on.

At each frequency grid and reflector voltages and the plunger should be adjusted for maximum output. Moreover the output may sometimes be increased by using an additional matching transformer.



RUGGEDIZED TUNABLE REFLEX KLYSTRON

Mechanically tunable light weight rugged reflex klystron with integral cavity, waveguide output and flying leads, suitable for operation at low pressures.

| QUICK REFERENCE DATA | | | |
|------------------------------------|-------|------------------|-----|
| Frequency, tunable within the band | f | 10.5 to 12.2 | GHz |
| Power output | W_o | 400 | mW |
| Construction | | waveguide output | |

HEATING: indirect

| | | | | |
|---------------------------------|-------|---|---------|------------|
| Heater voltage | V_f | = | 6.3 V | $\pm 10\%$ |
| Heater current at $V_f = 6.3$ V | I_f | = | 1.2 | A |
| Cathode heating time | T_w | = | min. 15 | s |

LIMITING VALUES (Absolute limits)

| | | | | |
|----------------------------|-------------|---|------------|----------------------------------|
| Resonator voltage | V_{res} | = | max. 450 | V |
| Resonator current | I_{res} | = | max. 70 | mA |
| Negative reflector voltage | $-V_{refl}$ | = | 20 to 1000 | V |
| Body temperature | t | = | max. 200 | $^{\circ}\text{C}$ ¹⁾ |

¹⁾ For maximum life the body temperature should be kept below 100 $^{\circ}\text{C}$

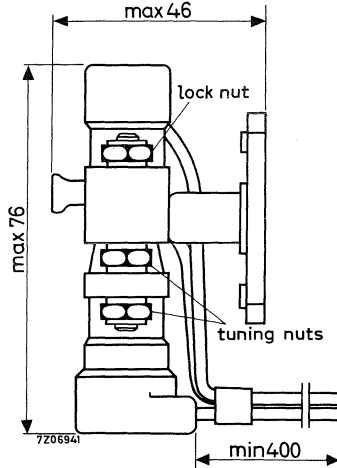
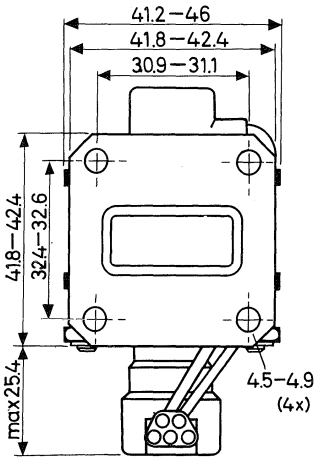
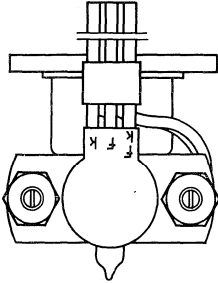
MECHANICAL DATA

Dimensions in mm

Warning

Do not apply the heater voltage to the green connector as this will result in the destruction of the tube.

| | |
|------------------|----------------|
| Output waveguide | RG-52/U (WR90) |
| Plane flange | UG-39/U |



CONNECTIONS

- Yellow - heater
- White - heater + cathode
- Green - I.C. (cathode)
- Grey - reflector
- Maroon - cavity

Net weight : 200 g

Mounting position: any

Mechanical tuning with bolt and nut

TUNING

Loosen both tuning nuts at socket side. Turn both nuts in centre in small steps to the left or to the right until required frequency is obtained.

Then fix lower nuts again.

Do not touch lock nut at reflector side.

COOLING: natural or forced air

Forced air cooling is necessary for a resonator input greater than 10 W

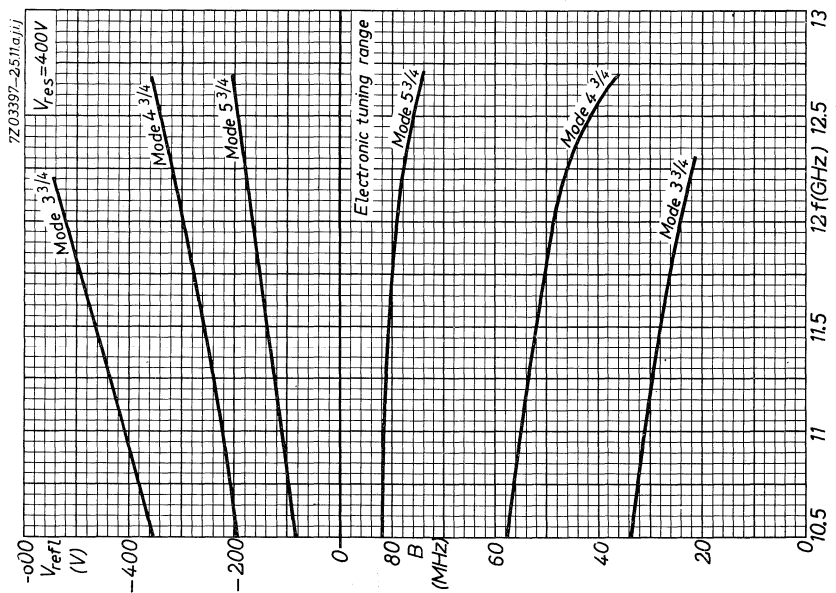
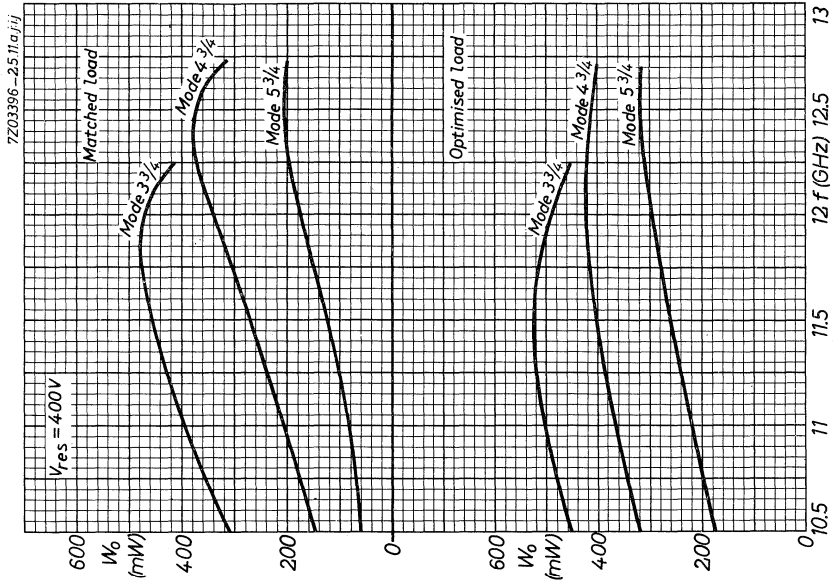
TYPICAL CHARACTERISTICS

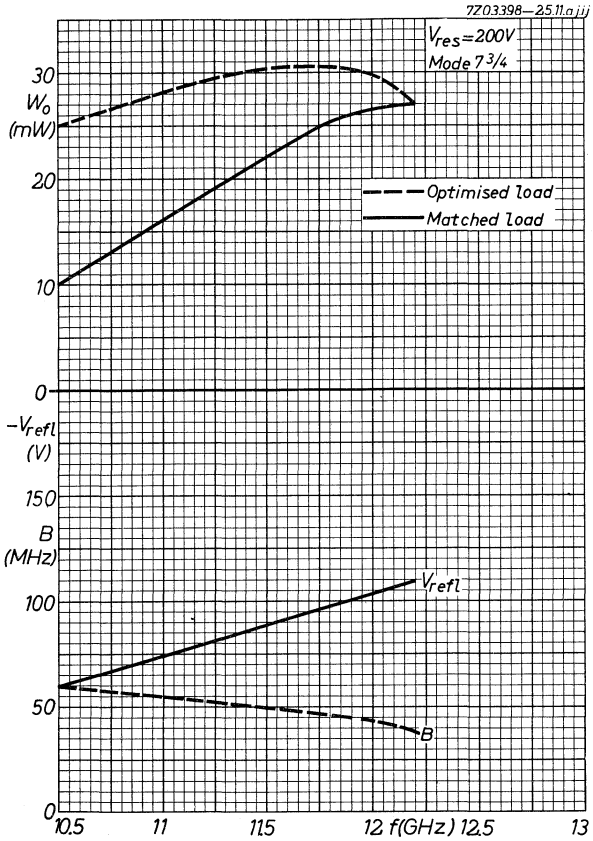
| | | | | |
|--------------------------------------------------------------------------------------------------------------------|------------------------------------|-----|--------------|------------|
| Mechanical tuning range | f | = | 10.5 to 12.2 | GHz |
| Electronic tuning range between half-power points at any point in the mechanical tuning range at $V_{res} = 400$ V | Δf | > | 30 | MHz |
| Reflector modulation sensitivity at $f = 10.5$ to 12.2 GHz | $\frac{\Delta f}{\Delta V_{refl}}$ | = | 0.8 to 2.0 | MHz per V |
| Power output at any frequency in the mechanical tuning range with reflector voltage optimised at $V_{res} = 400$ V | W_o | > | 50 | mW |
| Reflector voltage range for maximum power output over the mechanical tuning range | V_{refl} | = | -120 to -370 | V |
| Reflector voltage for maximum power output at centre frequency in principal mode at $V_{res} = 400$ V | V_{refl} | = | -260 | V |
| Frequency drift after first 5 minutes of operation | Δf | = | 0.5 | MHz |
| Temperature coefficient in the range $t_{amb} = -10$ to $+40$ °C | $\frac{\Delta f}{\Delta t}$ | < | 0.25 | MHz per °C |
| Frequency change with atmospheric pressure change equivalent to operation at
0 to 20 km altitude | Δf | = 1 | < 3 | MHz |
| 0 to 30 km altitude | Δf | = 2 | < 10 | MHz |
| Frequency modulation under vibration of 5 g applied to the flange (50 to 5000 Hz in three planes) | Δf | < | 4 | MHz |

OPERATING CHARACTERISTICS

| | | | | | | |
|------------------------------------------------------|------------------------------------|----------------|------|------|------|--------|
| Frequency | f | = | 10.5 | 11.5 | 12.2 | GHz |
| Resonator voltage | V _{res} | = | 400 | 400 | 400 | V |
| Resonator current | I _{res} | = | 65 | 65 | 65 | mA |
| Reflector voltage | V _{refl} | = | -190 | -260 | -315 | V |
| Output power | matched load | W _o | = | 150 | 270 | 370 |
| | | | | 320 | 400 | 420 |
| | optimised load | W _o | = | | | mW |
| Electronic tuning range between
half-power points | Δf | = | 58 | 52 | 47 | MHz |
| | | | | | | |
| Reflector modulation coefficient | $\frac{\Delta f}{\Delta V_{refl}}$ | = | 1.0 | 1.0 | 1.0 | MHz /V |

| | | | | | | |
|------------------------------------------------------|-------------------|----------------|------|------|------|-----|
| Frequency | f | = | 10.5 | 11.5 | 12.2 | GHz |
| Resonator voltage | V _{res} | = | 200 | 200 | 200 | V |
| Resonator current | I _{res} | = | 23 | 23 | 23 | mA |
| Reflector voltage | V _{refl} | = | -60 | -90 | -110 | V |
| Output power | matched load | W _o | = | 10 | 22 | 27 |
| | | | | 25 | 30 | 27 |
| | optimised load | W _o | = | | | mW |
| Electronic tuning range between
half-power points | Δf | = | 60 | 50 | 38 | MHz |
| | | | | | | |





TUNABLE REFLEX KLYSTRON

Mechanically tunable light weight reflex klystron with integral cavity and waveguide output

| QUICK REFERENCE DATA | | |
|------------------------------------|-------|------------------|
| Frequency, tunable within the band | f | 10.5 to 12.2 GHz |
| Power output | W_o | 400 mW |
| Construction | | waveguide output |

HEATING: indirect

| | | | | |
|---------------------------------|-------|---|-----------|------------|
| Heater voltage | V_f | = | 6.3 V | $\pm 10\%$ |
| Heater current at $V_f = 6.3$ V | I_f | = | 1.2 A | |
| Cathode heating time | T_w | = | min. 15 s | |

LIMITING VALUES (Absolute limits)

| | | | |
|----------------------------|-------------|--------|----------------------|
| Resonator voltage | V_{res} | = max. | 450 V |
| Resonator current | I_{res} | = max. | 70 mA |
| Negative reflector voltage | $-V_{refl}$ | = | 20 to 1000 V |
| Body temperature | t | = max. | 200 °C ¹⁾ |

TYPICAL CHARACTERISTICS

| | | | |
|--------------------------------------------------------------------------------------------------------------------|------------------------------------|---|----------------------|
| Mechanical tuning range | f | = | 10.5 to 12.2 GHz |
| Electronic tuning range between half-power points at any point in the mechanical tuning range at $V_{res} = 400$ V | Δf | | > 30 MHz |
| Reflector modulation sensitivity at
f = 10.5 to 12.2 GHz | $\frac{\Delta f}{\Delta V_{refl}}$ | = | 0.8 to 2.0 MHz per V |
| Power output at any frequency in the mechanical tuning range with reflector voltage optimised at $V_{res} = 400$ V | W_o | | > 50 mW |

¹⁾ For maximum life the body temperature should be kept below 100 °C

TYPICAL CHARACTERISTICS (continued)

| | | | | |
|-------------------------------------------------------------------------------------------------------|-----------------------------|---|--------------|------------|
| Reflector voltage range for maximum power output over the mechanical tuning range | V_{refl} | = | -100 to -400 | V |
| Reflector voltage for maximum power output at centre frequency in principal mode at $V_{res} = 400$ V | V_{refl} | = | -260 | V |
| Frequency drift after first 5 minutes of operation | Δf | = | 0.5 | MHz |
| Temperature coefficient in the range $t_{amb} = -10$ to $+40$ °C | $\frac{\Delta f}{\Delta t}$ | = | < 0.25 | MHz per °C |

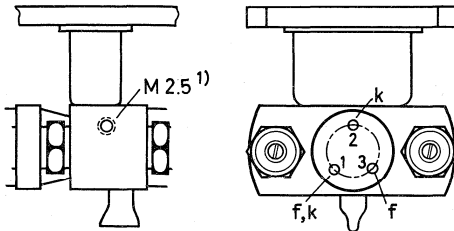
OPERATING CHARACTERISTICS

| | | | | | | |
|---------------------------------------------------|------------------------------------|---|------|------|------|--------|
| Frequency | f | = | 10.5 | 11.5 | 12.2 | GHz |
| Resonator voltage | V_{res} | = | 400 | 400 | 400 | V |
| Resonator current | I_{res} | = | 65 | 65 | 65 | mA |
| Reflector voltage | V_{refl} | = | -190 | -260 | -315 | V |
| Output power | W_o | = | 150 | 270 | 370 | mW |
| matched load | | | | | | |
| optimised load | W_o | = | 320 | 400 | 420 | mW |
| Electronic tuning range between half-power points | Δf | = | 58 | 52 | 47 | MHz |
| Reflector modulation coefficient | $\frac{\Delta f}{\Delta V_{refl}}$ | = | 1.0 | 1.0 | 1.0 | MHz /V |

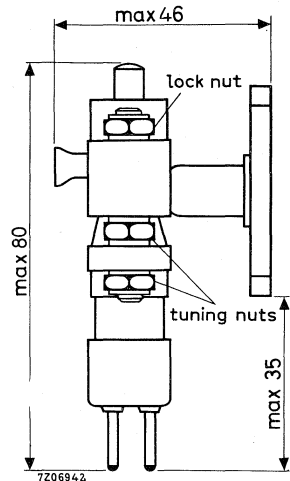
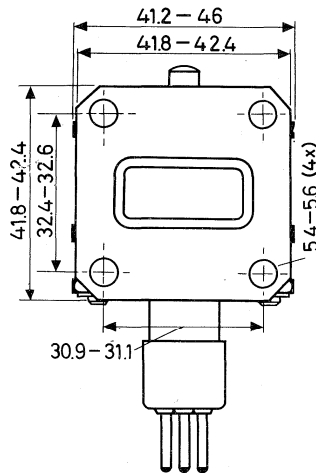
| | | | | | | |
|---------------------------------------------------|------------|---|------|------|------|-----|
| Frequency | f | = | 10.5 | 11.5 | 12.2 | GHz |
| Resonator voltage | V_{res} | = | 200 | 200 | 200 | V |
| Resonator current | I_{res} | = | 23 | 23 | 23 | mA |
| Reflector voltage | V_{refl} | = | -60 | -90 | -110 | V |
| Output power | W_o | = | 10 | 22 | 27 | mW |
| matched load | | | | | | |
| optimised load | W_o | = | 25 | 30 | 27 | mW |
| Electronic tuning range between half-power points | Δf | = | 60 | 50 | 38 | MHz |

MECHANICAL DATA

Dimensions in mm



Net weight: 200 g
 Base: Pee Wee 3 pin (A3-1)
 Socket: E2 555 37
 Connector for reflector: 55316



Mounting position: any

Mechanical tuning with bolt and nut

TUNING

Loosen both tuning nuts at socket side. Turn both nuts in centre in small steps to the left or to the right until required frequency is obtained.

Then fix lower nuts again.

Do not touch lock nut at reflector side.

WARNING

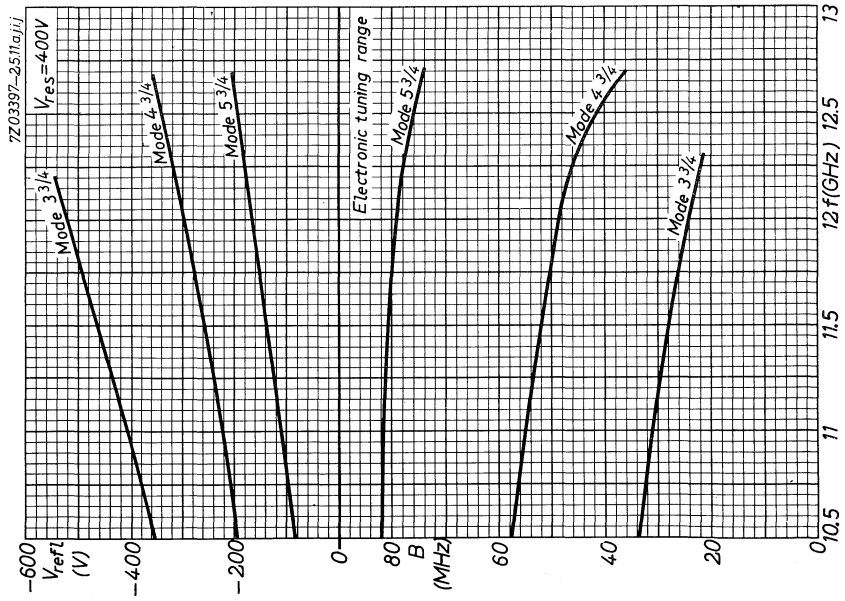
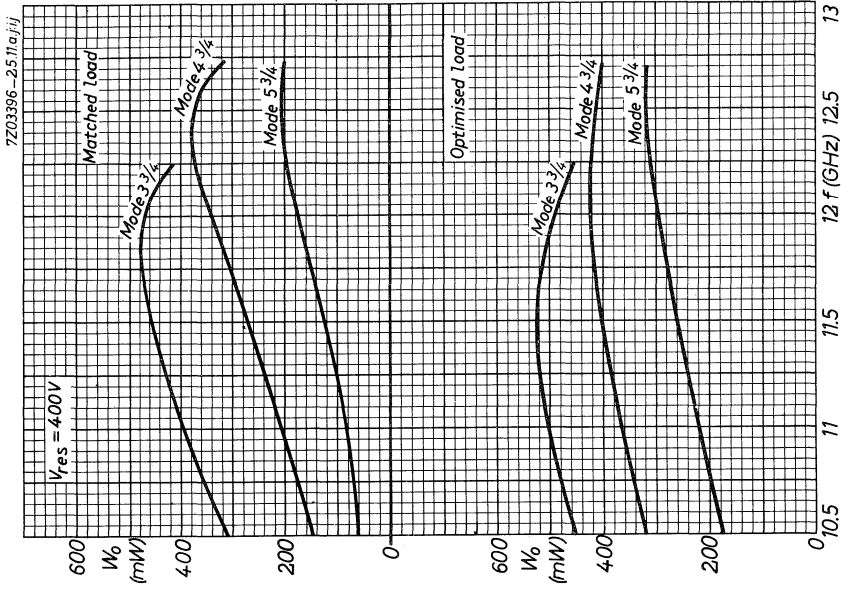
Do not apply the heater voltage to the cathode pin as this will result in the destruction of the tube.

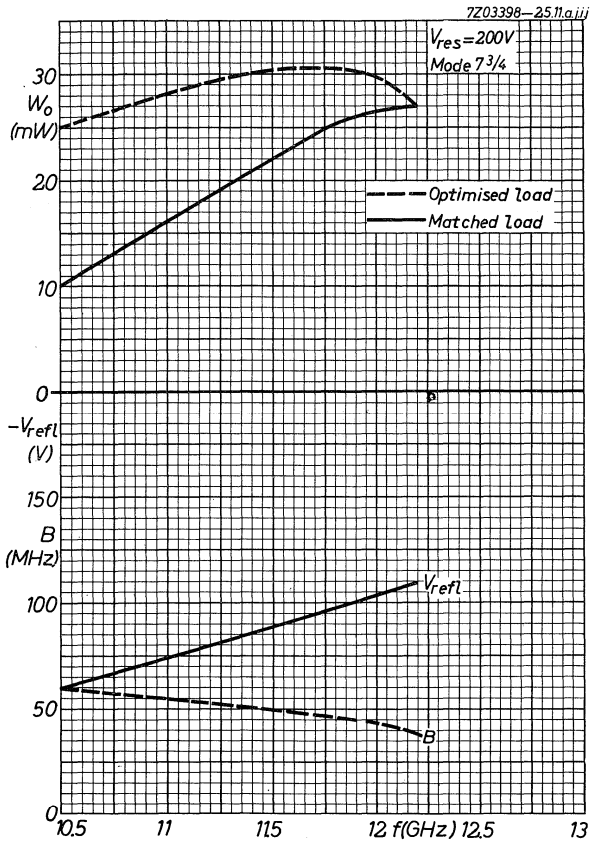
Output waveguide RG-52/U (WR90)

Plain flange UG-39/U

COOLING : natural or forced air

Forced air cooling is necessary for a resonator input greater than 10 W





TUNABLE REFLEX KLYSTRON

Mechanically tunable reflex klystron for local oscillator applications.

| QUICK REFERENCE DATA | | | |
|------------------------------------|-----------------------------------------------------------------|-------------|-----|
| Frequency, tunable within the band | f | 8.5 to 9.66 | GHz |
| Output power | W_o | 45 | mW |
| Construction | metal, with octal base | | |
| Output connection | coaxial probe for insertion to standard WG 16 launching section | | |

HEATING: Indirect

| | | | |
|----------------|-------|------|---|
| Heater voltage | V_f | 6.3 | V |
| Heater current | I_f | 0.45 | A |

LIMITING VALUES(Absolute max. rating system)

| | | | | |
|--------------------------------------------|--------------|------|------|------------|
| Heater voltage | V_f | max. | 6.8 | V |
| | | min. | 5.8 | V |
| Resonator voltage | V_{res} | max. | 330 | V |
| Resonator current | I_{res} | max. | 37 | mA |
| Reflector voltage ¹⁾ | V_{refl} | max. | -400 | V |
| | | min. | 0 | V |
| Cathode to heater voltage | V_{kf} | max. | 50 | V |
| Body temperature | t | max. | 110 | °C |
| Voltage standing-wave ratio | V.S.W.R. | max. | 1.5 | |
| Impedance of the reflector/cathode circuit | $Z_{refl/k}$ | max. | 500 | k Ω |

COOLING: natural

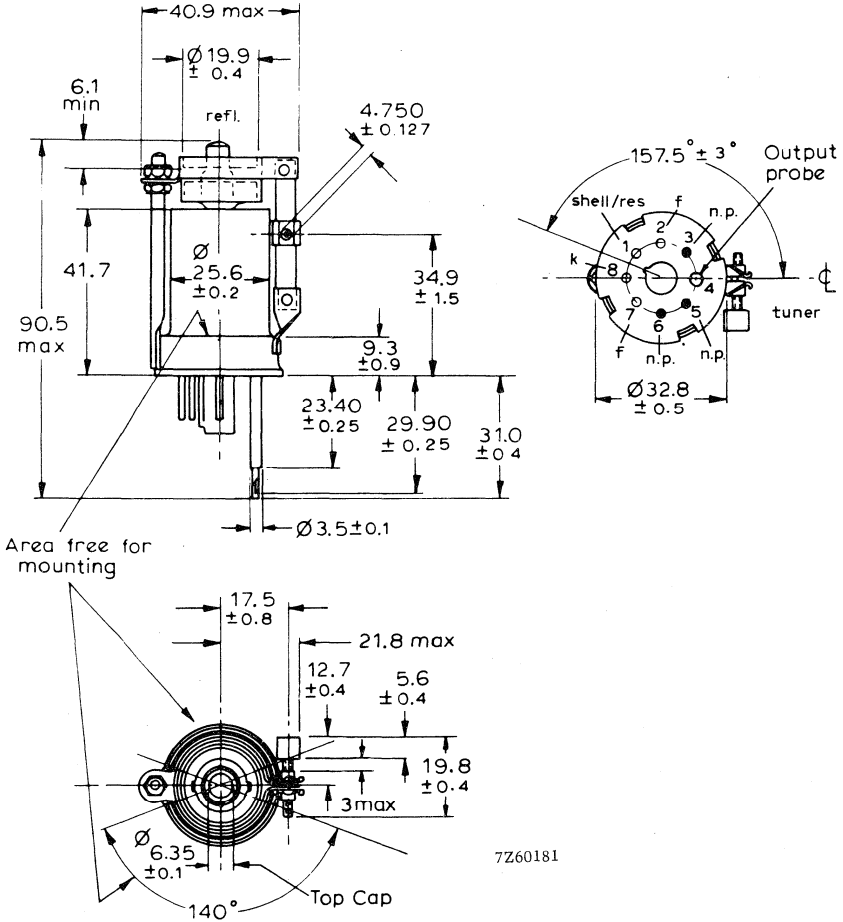
¹⁾ The klystron must not be operated without the reflector supply while the resonator voltage is applied.

Care should be taken in the design of the power supply to ensure that the reflector potential never becomes positive with respect to the cathode.

MECHANICAL DATA

Dimensions in mm

Base : Octal, IEC67-I-5f, type 2
 Top cap : $6,35 \pm 0.1 \phi$
 Net weight : approx. 65 g
 Mounting position : Any



TEST CONDITIONS AND LIMITS

The klystron is tested to comply with the following electrical specification.

Test conditions ²⁾

| | | | |
|---------------------------------|-------------|--------|---|
| Heater voltage | V_f | 6.3 | V |
| Resonator voltage | V_{res} | 300 | V |
| Reflector voltage ¹⁾ | V_{refl} | adjust | |
| Voltage standing-wave ratio | V. S. W. R. | < 1.1 | |

Limits and characteristics ⁷⁾

| | | Min. | Max. | |
|----------------------------------------------------------|------------------------------|------|------|----------|
| Heater current | I_f | 0.41 | 0.47 | A |
| Resonator current | I_{res} | | 32 | mA |
| Reflector voltage ³⁾ | | | | |
| Mode A, $f = 8.5$ GHz | V_{refl} | -85 | -135 | V |
| Mode A, $f = 9.66$ GHz | V_{refl} | -143 | -200 | V |
| Mode B, $f = 9.37$ GHz | V_{refl} | -75 | -120 | V |
| Output power ³⁾ | | | | |
| Mode A, $f = 8.5$ GHz | W_o | 20 | | mW |
| Mode A, $f = 9.66$ GHz | W_o | 20 | | mW |
| Mode A, $f = 9.37$ GHz | W_o | 35 | | mW |
| Mode B, $f = 9.37$ GHz | W_o | 15 | | mW |
| Electronic tuning range to
$\frac{1}{2}$ power points | | | | |
| Mode A, $f = 8.5$ GHz | Δf | 28 | | MHz |
| Mode A, $f = 9.37$ GHz | Δf | 35 | | MHz |
| Mode A, $f = 9.66$ GHz | Δf | 28 | | MHz |
| Load effect ⁴⁾ | | 10 | | mW |
| Hysteresis ⁵⁾ | | | 0.5 | |
| Frequency temperature coefficient | $-\frac{\Delta f}{\Delta t}$ | | 0.2 | MHz/degC |
| Mechanical tuning range ⁶⁾ | f | 8.5 | 9.66 | GHz |

1) See page 1

2)...7) See page 4

OPERATING CHARACTERISTICS Mode A at 9.37 GHz

Conditions 2)

| | | | |
|-----------------------------|-------------|-------|---|
| Heater voltage | V_f | 6.3 | V |
| Resonator voltage | V_{res} | 300 | V |
| Reflector voltage 1) 3) | V_{refl} | -150 | V |
| Voltage standing-wave ratio | V. S. W. R. | < 1.1 | |

Typical performance

| | | | |
|-------------------------------------------------------|------------|----|-----|
| Resonator current | I_{res} | 22 | mA |
| Output power | W_o | 45 | mW |
| Electronic tuning range to $\frac{1}{2}$ power points | Δf | 38 | MHz |

END OF LIFE PERFORMANCE

The quality of all production is monitored by the random selection of klystrons which are then life tested under the stated test conditions. If the klystron is to be operated under different conditions from those specified above, the manufacturer should be consulted to verify that the life will not be affected. The klystron is considered to have reached the end of life when it fails to meet the following limits when operated as specified on page 3.

| | | | |
|--------------|-------|---------|----|
| Output power | W_o | min. 10 | mW |
|--------------|-------|---------|----|

NOTES

- 1) See page 1
- 2) With the klystron operated in a standard waveguide launching section as shown on pages 5 and 6.
- 3) Reflector voltage adjusted for the maximum power point of the mode. If it is required to operate the klystron over the entire width of either mode at the extreme frequency limits, it is recommended that the reflector voltage supply cover the range -55 to -220 Volts.
- 4) There shall be no discontinuities at the maximum power points nor shall the power fall below that specified as a mismatch represented by a V. S. W. R. of 2.5 is varied through all phases.
- 5) The ratio of the power at which hysteresis is present shall not exceed the limit specified.
- 6) Damage to the tuner may occur if it is adjusted beyond these frequency limits.
- 7) Measurements are made 2 minutes after the application of heater voltage. The heater and H. T. supplies may be applied simultaneously.

INSTALLATION

For good broadband performance the tube should be inserted in a suitable mount. The mount recommended is shown in Fig. 1. It consists of a section of 3 cm waveguide (RG-52/U; outside dimensions 25.4 x 12.7), shortcircuited at one side, into which the aerial of the tube penetrates. The position of the aerial with respect to the waveguide is shown in fig. 2.

The outer conductor of the output line should reach to the inner side of the waveguide. The broadband R. F. choke provides a good H. F. contact between the output line and the guide.

The tube socket, a modified octal type of which the hole corresponding to the pin No. 4 of the base has been drilled in order to pass the coaxial output line, is fixed rigidly to the waveguide to ensure a correct installation.

The tube should be fixed firmly in the socket by clamps which make contact at the lower platform of the tube only. It may happen that the waveguide is not terminated in a matched load, which will give rise to frequency instability. When a very good frequency stability is required an attenuator of minimum 6dB may be inserted in the guide between the aerial and the load.

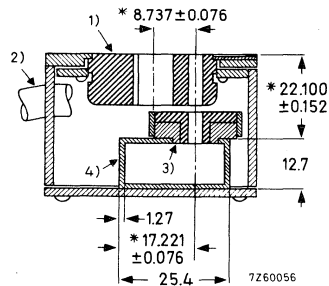


Fig. 1 Cross section of the mount (coupler)

All high frequency surfaces to be silver or gold plated.

Dimensions indicated with *determine the broad band characteristics of the coupler and should be held to the tolerances shown.

- 1) Modified octal socket. Individual pin sockets must be deeper than 12.014 mm.
- 2) Cable to socket connections
- 3) R. F. choke
- 4) Waveguide

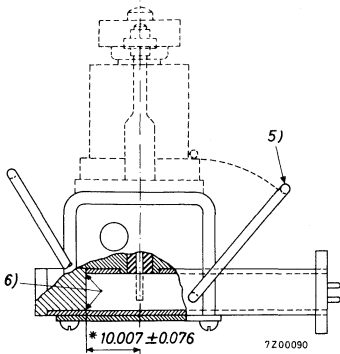


Fig. 2 Side-view of the mount

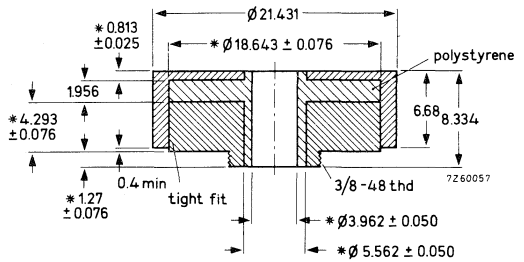


Fig. 4 Cross-section of the R.F. choke
* See under Fig. 1

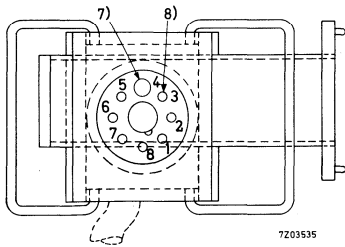
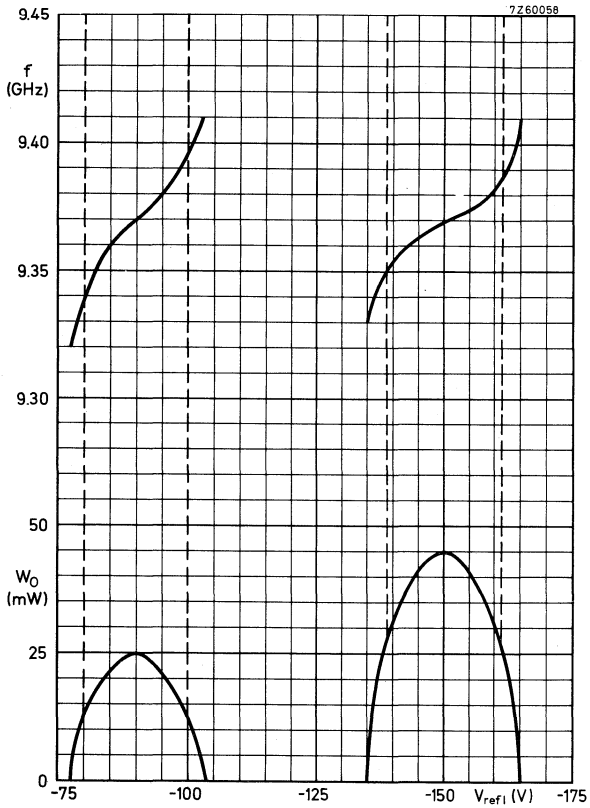


Fig. 3 Top-view of the mount

Remark: The mount and the R. F. choke are not supplied by the tube manufacturer

- 5) Tube clamp
- 6) Inner edges of plug must be brazed to waveguide
- 7) 4.75 mm drill
- 8) Remove socket terminals 3, 4, 5 and 6



TYPICAL CURVES OF POWER AND FREQUENCY
AGAINST REFLECTOR VOLTAGE

TUNABLE REFLEX KLYSTRON

Mechanically tunable reflex klystron for local oscillator applications.

| QUICK REFERENCE DATA | | | |
|------------------------------------|-----------------------------------------------------------------|----------------|-----|
| Frequency, tunable within the band | f | 8.702 to 9.548 | GHz |
| Output power | W_o | 40 | mW |
| Construction | metal, with octal base | | |
| Output connection | coaxial probe for insertion to standard WG 16 launching section | | |

HEATING: Indirect

| | | | |
|----------------|-------|------|---|
| Heater voltage | V_f | 6.3 | V |
| Heater current | I_f | 0.45 | A |

LIMITING VALUES (Absolute max. rating system)

| | | | |
|--------------------------------------------|--------------|----------------------|------------|
| Heater voltage | V_f | max. 6.8
min. 5.8 | V
V |
| Resonator voltage | V_{res} | max. 330 | V |
| Resonator current | I_{res} | max. 37 | mA |
| Reflector voltage ¹⁾ | V_{refl} | max. -400
min. 0 | V
V |
| Cathode to heater voltage | V_{kf} | max. 50 | V |
| Body temperature | t | max. 110 | °C |
| Voltage standing-wave ratio | V. S. W. R. | max. 1.5 | |
| Impedance of the reflector/cathode circuit | $Z_{refl/k}$ | max. 500 | k Ω |

COOLING: natural

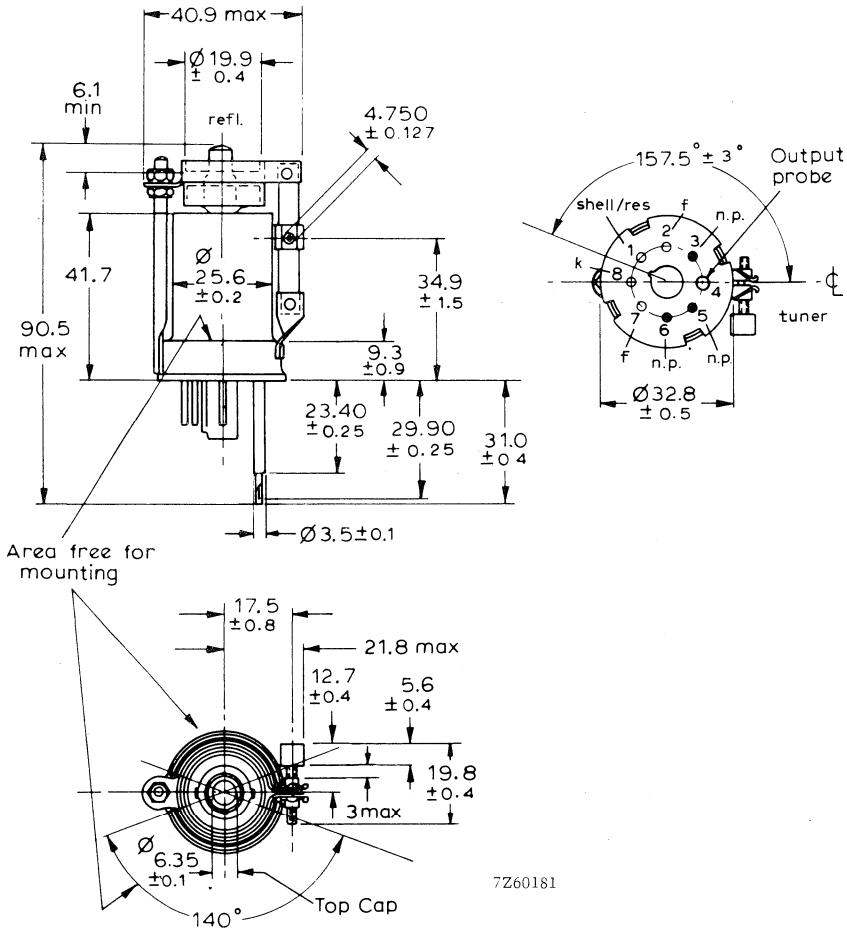
¹⁾ The klystron must not be operated without the reflector supply while the resonator voltage is applied.

Care should be taken in the design of the power supply to ensure that the reflector potential never becomes positive with respect to the cathode.

MECHANICAL DATA

Dimensions in mm

- Base : Octal, IEC67-1-5f, type 2
- Top cap : $6.35 \pm 0.1 \phi$
- Net weight : approx. 65 g
- Mounting position : Any



7Z60181

TEST CONDITIONS AND LIMITS

The klystron is tested to comply with the following electrical specification.

Test conditions ²⁾

| | | | |
|---------------------------------|-------------|--------|---|
| Heater voltage | V_f | 6.3 | V |
| Resonator voltage | V_{res} | 300 | V |
| Reflector voltage ¹⁾ | V_{refl} | adjust | |
| Voltage standing-wave ratio | V. S. W. R. | < 1.1 | |

Limits and characteristics ⁷⁾

| | | Min. | Max. | |
|----------------------------------------------------------|------------------------------|-------|-------|----------|
| Heater current | I_f | 0.41 | 0.47 | A |
| Resonator current | I_{res} | | 32 | mA |
| Reflector voltage ³⁾ | | | | |
| Mode A, f = 8.702 GHz | V_{refl} | -90 | -150 | V |
| Mode A, f = 9.548 GHz | V_{refl} | -140 | -200 | V |
| Mode B | V_{refl} | -75 | -120 | V |
| Output power ³⁾ | | | | |
| Mode A, f = 8.702 GHz | W_o | 20 | | mW |
| Mode A, f = 9.548 GHz | W_o | 20 | | mW |
| Mode B | W_o | 15 | | mW |
| Electronic tuning range to
$\frac{1}{2}$ power points | | | | |
| Mode A, f = 9.370 GHz | Δf | 35 | | MHz |
| Load effect ⁴⁾ | | 10 | | mW |
| Hysteresis ⁵⁾ | | | 0.5 | |
| Frequency temperature coefficient | $-\frac{\Delta f}{\Delta t}$ | | 0.2 | MHz/degC |
| Mechanical tuning range ⁶⁾ | f | 8.702 | 9.548 | GHz |

¹⁾ See page 1

²⁾ ... ⁷⁾ See page 4

OPERATING CHARACTERISTICS Mode A at 9.37 GHz

Conditions ²⁾

| | | | |
|------------------------------------|-------------|-------|---|
| Heater voltage | V_f | 6.3 | V |
| Resonator voltage | V_{res} | 300 | V |
| Reflector voltage ^{1) 3)} | V_{refl} | -150 | V |
| Voltage standing-wave ratio | V. S. W. R. | < 1.1 | |

Typical performance

| | | | |
|-------------------------------------------------------|------------|----|-----|
| Resonator current | I_{res} | 20 | mA |
| Output power | W_o | 40 | mW |
| Electronic tuning range to $\frac{1}{2}$ power points | Δf | 35 | MHz |

END OF LIFE PERFORMANCE

The quality of all production is monitored by the random selection of klystrons which are then life tested under the stated test conditions. If the klystron is to be operated under different conditions from those specified above, the manufacturer should be consulted to verify that the life will not be affected. The klystron is considered to have reached the end of life when it fails to meet the following limits when operated as specified on page 3.

| | | | |
|--------------|-------|---------|----|
| Output power | W_o | min. 10 | mW |
|--------------|-------|---------|----|

NOTES

- 1) See page 1.
- 2) With the klystron operated in a standard waveguide launching section as shown on pages 5 and 6.
- 3) Reflector voltage adjusted for the maximum power point of the mode. If it is required to operate the klystron over the entire width of either mode at the extreme frequency limits, it is recommended that the reflector voltage supply cover the range -55 to -220 Volts.
- 4) There shall be no discontinuities at the maximum power points nor shall the power fall below that specified as a mismatch represented by a V. S. W. R. of 2.5 is varied through all phases.
- 5) The ratio of the power at which hysteresis is present shall not exceed the limit specified.
- 6) Damage to the tuner may occur if it is adjusted beyond these frequency limits.
- 7) Measurements are made 2 minutes after the application of heater voltage. The heater and H. T. supplies may be applied simultaneously.

INSTALLATION

For good broadband performance the tube should be inserted in a suitable mount. The mount recommended is shown in Fig. 1. It consists of a section of 3 cm waveguide (RG-52/U; outside dimensions 25.4 x 12.7), shortcircuited at one side, into which the aerial of the tube penetrates. The position of the aerial with respect to the waveguide is shown in Fig. 2.

The outer conductor of the output line should reach to the inner side of the waveguide. The broadband R. F. choke provides a good H. F. contact between the output line and the guide.

The tube socket, a modified octal type of which the hole corresponding to the pin No. 4 of the base has been drilled in order to pass the coaxial output line, is fixed rigidly to the waveguide to ensure a correct installation.

The tube should be fixed firmly in the socket by clamps which make contact at the lower platform of the tube only. It may happen that the waveguide is not terminated in a matched load, which will give rise to frequency instability. When a very good frequency stability is required an attenuator of minimum 6 dB may be inserted in the guide between the aerial and the load.

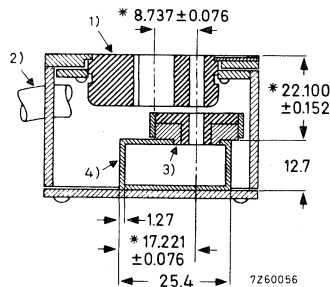


Fig. 1 Cross section of the mount (coupler)

All high frequency surfaces to be silver or gold plated.

Dimensions indicated with * determine the broad band characteristics of the coupler and should be held to the tolerances shown.

- 1) Modified octal socket. Individual pin sockets must be deeper than 12.014 mm.
- 2) Cable to socket connections
- 3) R. F. choke
- 4) Waveguide

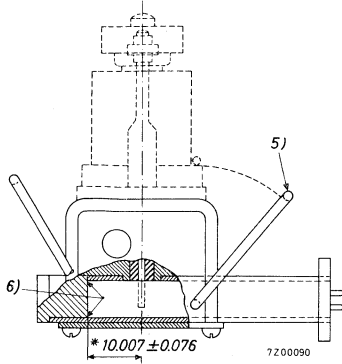


Fig. 2 Side-view of the mount

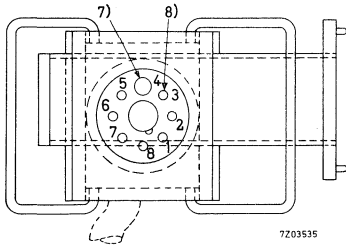


Fig. 3 Top-view of the mount

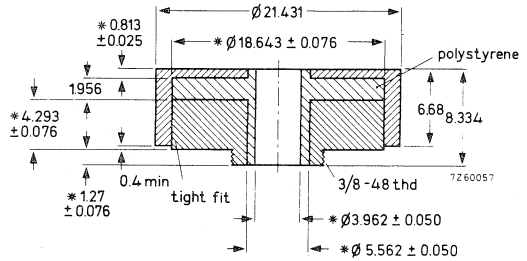
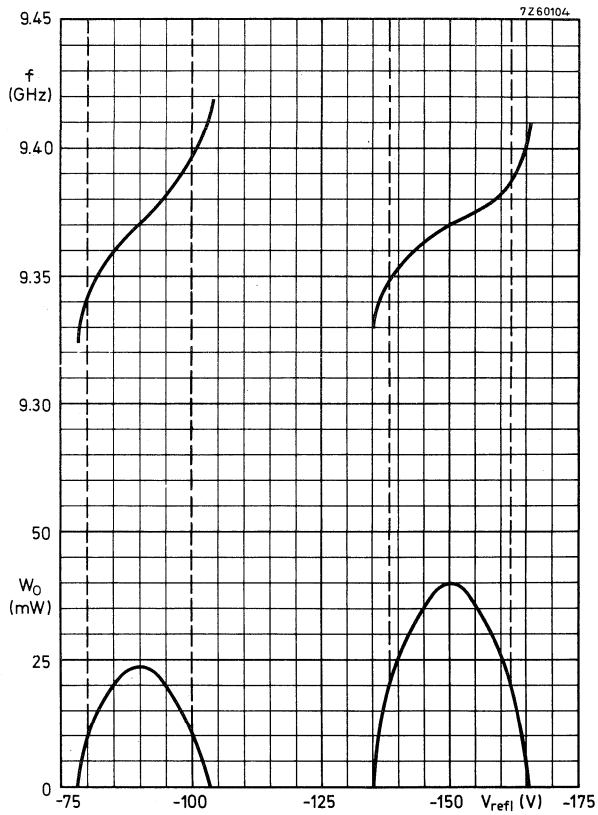


Fig. 4 Cross-section of the R. F. choke
* See under Fig. 1

Remark: The mount and the R. F. choke are not supplied by the tube manufacturer

- 5) Tube clamp
- 6) Inner edges of plug must be brazed to waveguide
- 7) 4.75 mm drill
- 8) Remove socket terminals 3, 4, 5 and 6



TYPICAL CURVES OF POWER AND FREQUENCY
AGAINST REFLECTOR VOLTAGE

TUNABLE REFLEX KLYSTRON

| QUICK REFERENCE DATA | | | |
|------------------------------------|------------------|----------|-----|
| Frequency, tunable within the band | f | 31 to 36 | GHz |
| Output power | W_o | 150 | mW |
| Construction | waveguide output | | |

HEATING: indirect by A.C. or D.C.; dispenser type cathode

| | | | | |
|----------------|-------|---|---------------|-----|
| Heater voltage | V_f | = | 6.3 | V |
| Heater current | I_f | = | 800 ± 200 | mA |
| Waiting time | T_w | = | min. 5 | min |

COOLING

| | | | | |
|---------------|-------|---|-------|---------------------|
| Air flow | q | = | 0.135 | m^3/min |
| Pressure loss | p_i | = | 2 | mm H ₂ O |

LIMITING VALUES (Absolute limits)

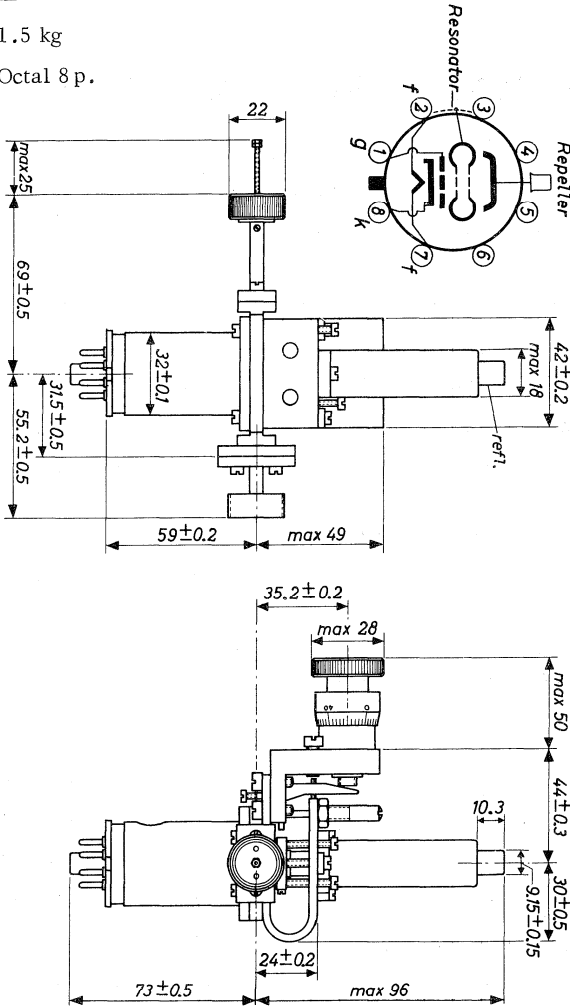
| | | | | |
|----------------------------------------|-------------|---|-----------|-----------------------------------------------|
| Heater voltage | V_f | = | 6.3 | V $\begin{matrix} +10\% \\ -2\% \end{matrix}$ |
| Resonator voltage | V_{res} | = | max. 2500 | V |
| Resonator current | I_{res} | = | max. 18 | mA |
| Resonator dissipation | W_{res} | = | max. 45 | W |
| Negative grid voltage | $-V_g$ | = | 0 to 100 | V |
| Internal impedance of grid bias supply | Z_i | = | max. 1000 | Ω |
| Negative reflector voltage | $-V_{refl}$ | = | 50 to 600 | V |
| Body temperature | t | = | max. 80 | $^{\circ}C$ |

MECHANICAL DATA

Dimensions in mm

Net weight: 1.5 kg

Base : Octal 8 p.



Mounting position: arbitrary

Output waveguide RG-96/U

Waveguide coupling system Z830016 (American reference drawing AS-2092)

The parts Z830017 and Z830019 of this coupling system are an integral part of the tube.

OPERATING CHARACTERISTICS

| | | | | |
|---------------------------------------------------|-------------------|---|--------------|-----|
| Frequency | f | = | 31 to 36 | GHz |
| Resonator voltage | V_{res} | = | 2250 | V |
| Resonator current | I_{res} | = | 15 | mA |
| Reflector voltage | V_{refl} | = | -100 to -500 | V |
| Output power | W_0 | | see page 4 | |
| Electronic tuning range between half power points | Δf | = | 60 | MHz |

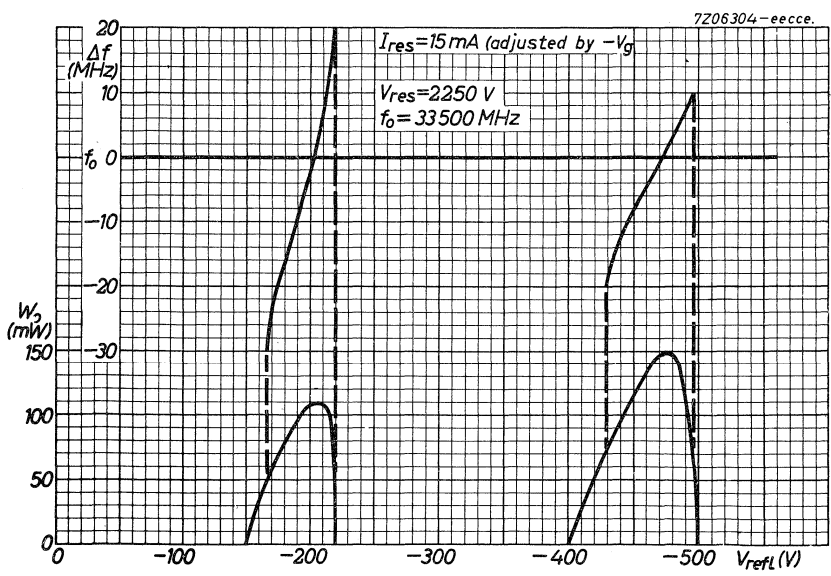
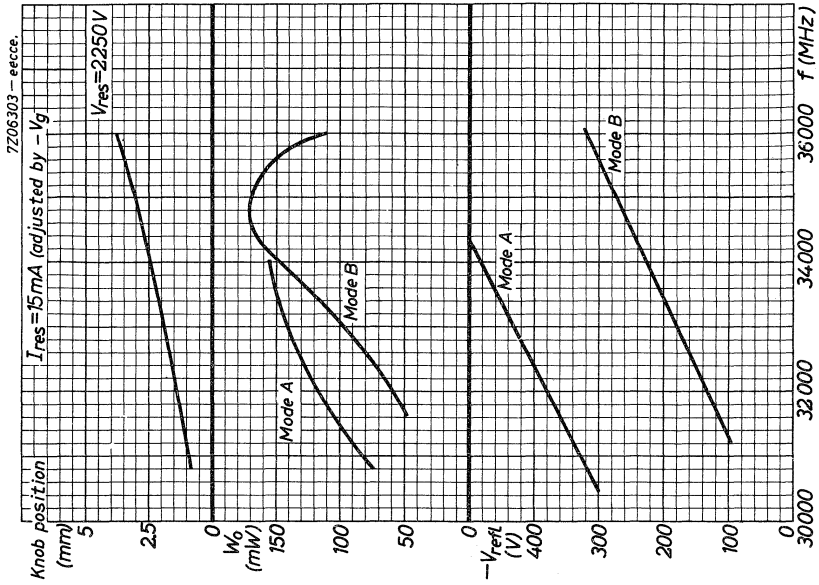
REMARKS

The tube is normally operated with the resonator at ground potential. The resonator is integral with the tuner, the output wave guide and the plunger.

The internal resistance of the reflector power supply should preferably not exceed $1\text{ M}\Omega$. Resonator voltage should only be applied when the reflector voltage is present. Neglecting these precautions will result in damage to the tube.

At each frequency the grid and reflector voltages and the plunger should be adjusted for obtaining maximum output. Moreover the output may sometimes be increased by using an additional matching transformer.

There is a possibility of drawing grid current when the tube is oscillating. This current may amount up to 2 mA.



Travelling-wave tubes

TRAVELLING-WAVE TUBES

ABRIDGED SURVEY

| Frequency range
(MHz) | Gain
(dB) | Output power
(W) | Type |
|--------------------------|--------------|---------------------|--------|
| 3400 - 4200 | 42 | 25 | YH1090 |
| 3800 - 4200 | 39 | 10 | 55340 |
| 4400 - 5000 | 36 | 8 | 7537 |
| 5800 - 8500 | 42 | 22 | YH1170 |
| 5925 - 6425 | 38 | 25 | LB6-25 |

TRAVELLING-WAVE TUBE

6 GHz travelling-wave tube with a periodic permanent magnet mount intended for use in the power output stages of wideband microwave links.

| QUICK REFERENCE DATA | | | |
|-------------------------|----------------------------------------------------|----------------|-----|
| Frequency | f | 5.925 to 6.425 | GHz |
| Saturation output power | W_o | 25 | W |
| Gain | G | 38 | dB |
| Construction | unpackaged with periodic permanent magnet focusing | | |

CATHODE: Dispenser type

HEATING : Indirect by A.C. or D.C.¹⁾

| | | | |
|----------------|-------|--------------|-------------|
| Heater voltage | V_f | 6.3 | V $\pm 2\%$ |
| Heater current | I_f | 0.85 to 1.05 | A |
| Waiting time | T_w | min. 2 | min |

TEMPERATURE LIMITS AND COOLING

| | | | | |
|----------------------------------------------|-------|------|-----|----|
| Absolute max. temperature of collector seal | t_s | max. | 200 | °C |
| Absolute max. temperature at reference point | t | max. | 140 | °C |

Cooling: tube installed in mount type P6L-11 (convection cooled)

| | |
|----------------------|--------------------------------------------------------------|
| horizontally mounted | natural |
| vertically mounted | natural assisted by convection duct or low velocity air flow |

A conduction cooled mount is available

MECHANICAL DATA

Mounting position: any

Weight

| | |
|---------------------|----------------|
| Net weight of tube | approx. 0.2 kg |
| Net weight of mount | approx. 5.5 kg |

1) When operated on D.C. the heater must be negative with respect to cathode.

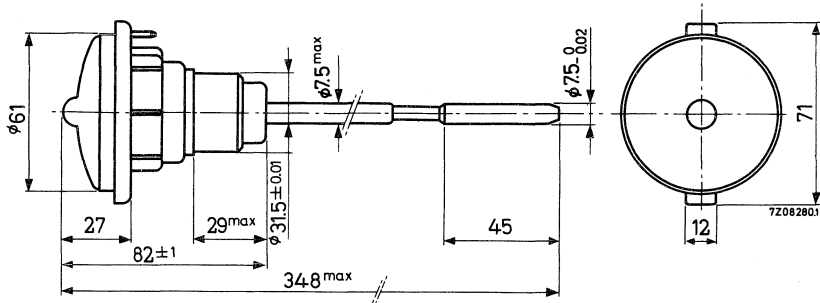
MECHANICAL DATA (continued)

Accessories

Mount type P6L-11, convection cooled, with IEC R70 waveguide input and output (34.84 x 15.80 mm²)

→ Dimensions and connections

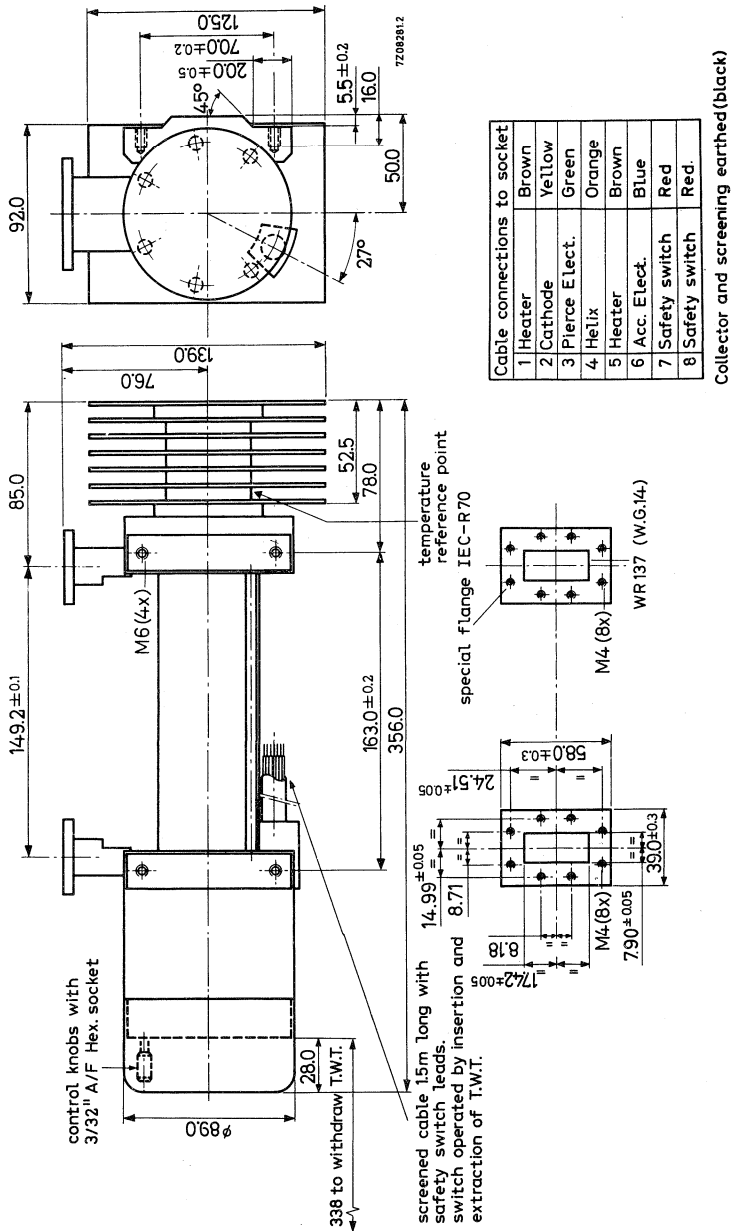
Dimensions in mm



MECHANICAL DATA (continued)

Dimensions of mount P6L-11

Dimensions in mm



TYPICAL CHARACTERISTICS

Tube in mount P6L-11

| | | min. | max. | |
|-------------------------------|----------|-------|-------|-----|
| Frequency band | f | 5.925 | 6.425 | GHz |
| Gain ($W_o = 15 W$) | G | 37 | 40 | dB |
| Noise figure ($W_o = 15 W$) | F | | 30 | dB |
| Saturation power output | W_o | 23 | | W |
| Attenuation at $I_k = 0$ mA | | 60 | | dB |
| Hot input match | V.S.W.R. | | 1.8 | |
| Hot output match | V.S.W.R. | | 2.0 | |

TYPICAL OPERATION as a power amplifier with the collector earthed and tube focused in a mount type P6L-11.

Voltages are specified with respect to the cathode

| | | | |
|------------------------------------|------------|-----|---------|
| Frequency | f | 6.0 | GHz |
| Collector voltage | V_{coll} | 2.0 | kV |
| Helix voltage | V_x | 3.4 | kV |
| Accelerator voltage | V_{acc} | 2.2 | kV |
| Pierce electrode voltage | V_{g1} | -15 | V |
| Collector current | I_{coll} | 45 | mA |
| Helix current | I_x | 0.4 | mA |
| Accelerator current | I_{acc} | 5.0 | μA |
| Pierce electrode current | I_{g1} | 1.0 | μA |
| Gain | G | 38 | dB |
| Power output | W_o | 15 | W |
| Noise figure (including ion noise) | F | 28 | dB |
| Hot input match | V.S.W.R. | 1.2 | |
| Hot output match | V.S.W.R. | 1.4 | |

ENVIRONMENTAL CONDITIONS (for mount)

| | | | |
|----------------------------------------------------------------|-----------|------------|-------------|
| Ambient temperature range for operation to full specification | t_{amb} | -10 to +65 | $^{\circ}C$ |
| Ambient temperature range for operation without damage to tube | t_{amb} | -20 to +65 | $^{\circ}C$ |
| Storage temperature | t_{stg} | -60 to +85 | $^{\circ}C$ |

TRAVELLING-WAVE TUBE

4 GHz travelling-wave tube with a periodic permanent magnet mount designed for wide-band microwave link applications.

| QUICK REFERENCE DATA | |
|------------------------------------|---------------------------------------------|
| Frequency | 3.4 to 4.2 GHz |
| Saturation output power at midband | 25 W |
| Low-level gain | 42 dB |
| Interchangeability | plug-in focus, plug-in match |
| Construction | unpackaged |
| tube | glass-metal envelope,
metal-ceramic base |
| mount | periodic permanent magnet |

CATHODE: Dispenser type

HEATING: Indirect by A. C. or D. C.

| | | |
|-------------------------------------------------------------------|------------|----------------|
| Heater voltage | V_f | 6.3 V \pm 2% |
| Heater current at $V_f = 6.3$ V | I_f | approx. 1 A |
| Heating time before application
of high voltage (waiting time) | T_w min. | 2 min. |

For shorter waiting time when the tube already has been in operation see "Application of voltages"

COOLING: Natural cooling

by convection with mount 55329 or
by conduction with mount 55332

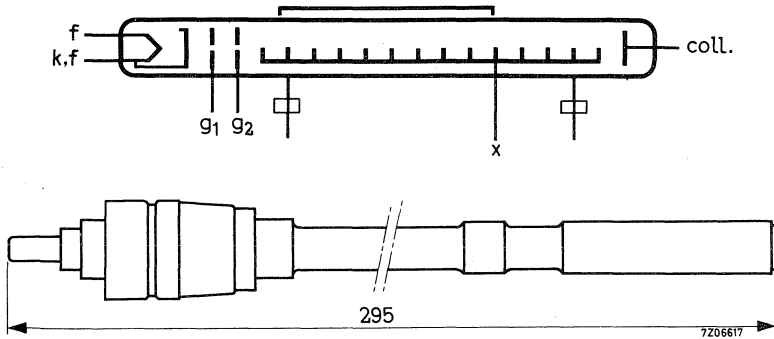
MECHANICAL DATA

Dimensions in mm

Mounting position: Any. See "Design and operating notes" under "Cooling"

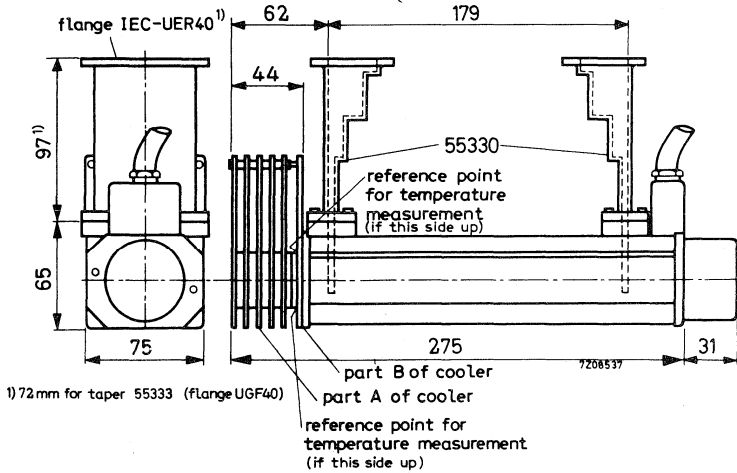
Weight of tube approx. 60 g

Weight of mount approx. 4.5 kg

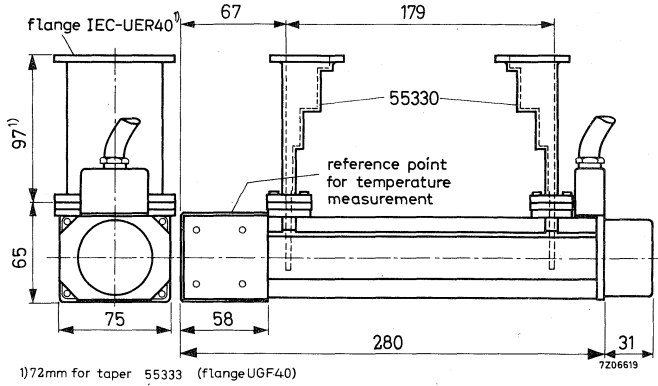


ACCESSORIES (to be ordered separately)

- PPM mount for convection cooling type 55329
- PPM mount for conduction cooling type 55332
- Waveguide taper (two required) type 55330
to waveguide IEC-R40 ($58.17 \times 29.08 \text{ mm}^2$)
- with flange IEC-UER40
- Waveguide taper (two required) type 55333
to waveguide IEC-F40 ($58.17 \times 7 \text{ mm}^2$)
- with flange IEC-UGF40
- Clamp for fastening of mount (two required) type 55331

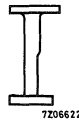


Mount 55329 with convection cooling and waveguide tapers 55330.



Mount 55332 with conduction (heatsink) cooling and waveguide tapers 55330

Waveguide taper 55333

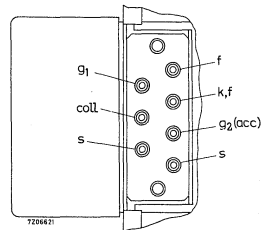


Connections

The mount is provided with flying leads, marked by colours

- | | |
|-------------------------------------------------------------------------|-------------------------|
| Heater, cathode | yellow |
| Heater | brown |
| Focusing electrode | green |
| Accelerator | blue |
| Helix | to be earthed via mount |
| Collector | red |
| Safety circuit (closed or opened, when putting on or off the mount cap) | two violet leads |

Connections in cable housing



GENERAL CHARACTERISTICS

| | | | |
|--------------------------------------------------------|-----------|------------|---------|
| Frequency range | f | 3.4 to 4.2 | GHz |
| Saturation output power (CW) | W_{sat} | 25 | W 1) |
| Low-level gain | G | 42 | dB 2) |
| Gain at $W_0 = 15$ W | G | 38 | dB 3) |
| Thermal noise factor at $W_0 = 15$ W | F | 24 | dB 4) |
| AM to PM conversion at $W_0 = 15$ W | | 3 | °/dB 4) |
| Cold match at input and output
(f = 3.4 to 4.2 GHz) | V.S.W.R. | max. 1.5 | 5) |

- 1) Typical value measured at f = 3.8 GHz, $I_{coll} = 60$ mA, W_i and V_x optimally adjusted for saturation output power.
- 2) Typical value measured at f = 3.8 GHz, $I_{coll} = 60$ mA, $W_0 < 1$ W, V_x optimally adjusted for low-level gain.
- 3) Typical value measured at f = 3.8 GHz, $I_{coll} = 60$ mA, V_x adjusted for optimum gain.
- 4) Typical value measured at f = 4 GHz, $I_{coll} = 60$ mA, V_x adjusted for optimum gain.
- 5) Measured on the cold tube, i.e. with the beam switched off and without use of any matching device (Plug-in match).

TYPICAL OPERATION

(Voltages are specified with respect to the cathode)

| | | | | |
|----------------------------------------------|---------------|-------|-------|----------|
| Frequency | f | 3.6 | GHz | |
| Output power | W_o | 15 | 10 | 5 W |
| Helix voltage
(adjusted for optimum gain) | V_x approx. | 2250 | 2200 | 2150 V |
| Collector voltage | V_{coll} | 1500 | 1300 | 1100 V |
| Focusing electrode voltage | V_{g1} | - 5 | - 5 | - 5 V |
| Collector current | I_{coll} | 60 | 60 | 60 mA |
| Gain | G | 38 | 40 | 41 dB |
| Accelerator voltage | V_{g2} | 1550 | 1550 | 1550 V |
| Accelerator current | I_{g2} | < 0.1 | < 0.1 | < 0.1 mA |
| Helix current (plug-in focus) | I_x | 0.3 | 0.3 | 0.2 mA |
| Thermal noise factor | F | 24 | 21.5 | 20.5 dB |
| AM to PM conversion | | 3 | 2.5 | 1.5 %/dB |
| Frequency | f | 4.0 | GHz | |
| Output power | W_o | 15 | 10 | 5 W |
| Helix voltage
(adjusted for optimum gain) | V_x approx. | 2150 | 2100 | 2050 V |
| Collector voltage | V_{coll} | 1500 | 1300 | 1100 V |
| Focusing electrode voltage | V_{g1} | - 5 | - 5 | - 5 V |
| Collector current | I_{coll} | 60 | 60 | 60 mA |
| Gain | G | 38 | 40 | 41 dB |
| Accelerator voltage | V_{g2} | 1550 | 1550 | 1550 V |
| Accelerator current | I_{g2} | < 0.1 | < 0.1 | < 0.1 mA |
| Helix current (plug-in focus) | I_x | 0.3 | 0.3 | 0.2 mA |
| Thermal noise factor | F | 24 | 21.5 | 20.5 dB |
| AM to PM conversion | | 3 | 2.5 | 1.5 %/dB |

LIMITING VALUES (Absolute maximum rating system)

(Voltages are specified with respect to the cathode unless otherwise specified)

| | | | |
|-------------------------------------------------|--------------|-------------------------------------------------------------|-------------------|
| Focusing electrode voltage | $-V_{g1}$ | min. | 0 V |
| | | max. | 50 V |
| Accelerator voltage | V_{g2} | max. | 2000 V |
| Helix voltage | V_x | max. | 2700 V |
| Collector to helix voltage | V_{coll-x} | max. | 2500 V |
| Cathode current | I_k | max. | 65 mA |
| Accelerator current | I_{g2} | max. | 0.3 mA |
| Helix current | I_x | max. | 3 mA |
| R.F. input level | W_i | max. | 200 mW |
| Collector dissipation at $t_{amb} = 65^\circ C$ | W_{coll} | $I_{coll} \times V_{coll} - W_o =$
max. $\frac{1}{90}$ W | |
| Power reflected from load | | max. | 2 W ¹⁾ |
| Cooler temperature at reference point | | | |
| mount type 55329 | t | max. | 140 °C |
| mount type 55332 | t | max. | 150 °C |

¹⁾ To avoid overheating of the helix.

DESIGN AND OPERATING NOTES

1. GENERAL DESIGN CONSIDERATIONS

Equipment design should be oriented around the tube specifications given in these data sheets and not around one particular tube since due to normal production variations the design parameters will vary around the nominal values given.

2. INSTALLATION OF THE MOUNT

Two main methods may be discerned:

- a) Fixing the mount relative to the microwave circuit by only connecting the waveguide tapers to the input and output sides of the circuit.
- b) Employing a) and establishing additional support by fastening the mount to the rack with two clamps 55331. In this case it is recommended to use a short piece of flexible waveguide at input and output side to prevent excessive strain on the mount via the tapers, unless very careful alignment of the waveguide components can be assured.

Possible forces on the waveguides must not produce a moment greater than 2 mkg at the flanges.

2.1 Mount type 55329

The cooler of the mount consists of the parts A and B (see drawing). Part A is slightly movable and should be handled with special care. The mount should be installed in such a way, that is is not resting on the parts A or B of the cooler, and that part A always remains freely movable. When a tube is in the mount, no forces should be exerted on part A, since they would be directly transferred to the collector.

2.2 Mount type 55332

This mount has no movable parts. If clamps are used (method b) the slightly larger dimensions of the cooler with regard to the main part of the mount must be considered.

2.3 Magnetic shielding

The periodic permanent magnet mount is completely shielded. This implies that no additional measures need be taken to prevent the magnetic properties of the mount from being affected by external magnetic fields. The mount will not influence surrounding equipment which is susceptible to stray magnetic fields.

Several mounts may be placed side by side without disturbance of the focusing qualities. Isolators may be installed quite near to the mount.

Warning

If any part of the shielding is removed, the magnetic properties of the mount may be disturbed irreversibly.

3. INSTALLATION OF THE TUBE

Unlock the mount cap (see outline drawing) by turning it slightly counter-clockwise. The cap can then easily be removed, and the tube inserted by carefully pushing it in. Finally put the cap on the mount again, and lock by turning it clockwise.

The above instructions are also a guide for taking the tube out of the mount.

4. SAFETY

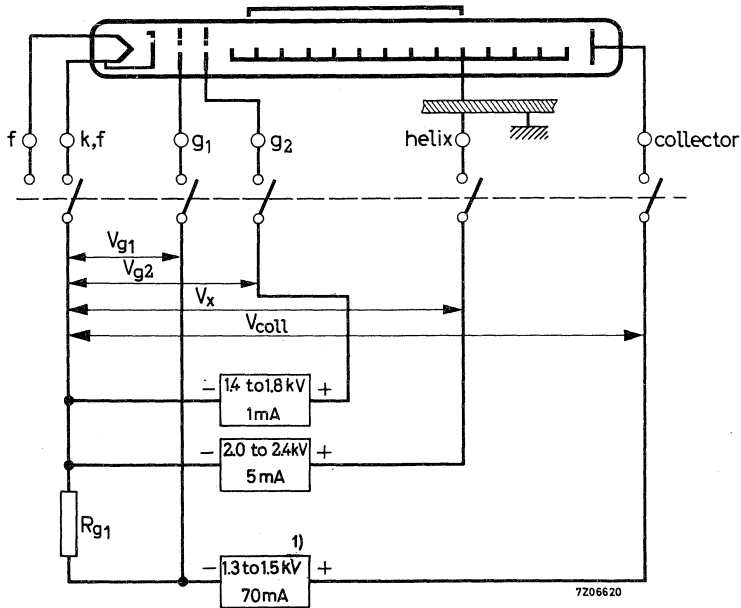
The supply voltages are fed to the tube via the mount cap. When the cap is unlocked all voltages are removed from the tube.

The two violet leads can be incorporated into an additional safety circuit which switches the voltages off at the power supply if the cap is unlocked. Thus the voltages can also be removed from the mount.

The mount should always be earthed.

5. POWER SUPPLY

The design of the power supply depends on whether 5, 10 or/and 15 W operation is desired. An example of a supply circuit for 10 and 15 W operation is given in the figure.



1) For 5 W operation a minimum of 1.1 kV is required.

The design of the power supply should be so that

V_{g_2} can be varied between 1.4 and 1.8 kV, V_x can be varied between 2.0 and 2.4 kV. V_{g_1} is -5 V at $I_{coll} = 60$ mA.

The collector voltage must be 1.1 kV, 1.3 kV, or 1.5 kV at $I_{coll} = 60$ mA for a desired output of 5 W, 10 W, or 15 W respectively.

For measurements of saturation output power the collector voltage should be 1.7 kV (between 3.8 and 4.2 GHz) and 1.85 kV (between 3.4 and 3.8 GHz)

The helix voltage may then reach 2.7 kV.

6. COOLING

Tube and mount need no artificial means of cooling. The natural cooling of the collector has been made possible by depression of the collector potential with respect to the helix and by ensuring adequate heat transfer from the collector to the environment.

6.1 Mount 55329

Under typical operating conditions and at an ambient temperature of not more than 65 °C, the cooler temperature at the reference point (see drawing) is well below the limit, provided the tube is mounted horizontally, and free air circulation is possible.

Under less favourable conditions a slight additional cooling by a low-velocity air flow may be required. Checking the temperature at the reference point then is strongly advised.

6.2 Mount 55332

Under typical operating conditions and at an ambient temperature of not more than 65 °C, the cooler temperature at the reference point (see drawing) is well below the limit, provided an aluminium heatsink of 300 mm x 300 mm x 6 mm is mounted on one of the cooler surfaces. The heatsink should be fixed with its centre contacting the cooler and in a vertical position. The mount itself may have any position in the equipment.

This is only an example and other heatsink configurations may be employed. It will then be necessary to check the temperatures reached at the reference point under extreme conditions e.g. 65 °C ambient temperature.

7 APPLICATION OF VOLTAGES

7.1 Switching-on procedure for new tubes

- 7.1.1 Apply the heater voltage for the specified waiting time.
- 7.1.2 Apply the rated voltages to the collector, to the helix, to the accelerator and to the focusing electrode in case of a separate supply simultaneously (see Remarks).
- 7.1.3 Adjust the accelerator voltage to obtain a collector current of 60 mA.
- 7.1.4 Apply the R.F. input signal, adjust the level to obtain the required output power while simultaneously adjusting the helix voltage for optimum gain.

7.2 Readjustment during life

During life the collector current may decrease.
A readjustment of the accelerator voltage to obtain $I_{coll} = 60$ mA will then be necessary.

7.3 Switching-off procedure

All voltages may be switched off simultaneously (see Remarks).

7.4 Switching-on procedure after interruption of voltage

- 7.4.1 Interruption of less than 40 s:
All voltages may be switched on simultaneously.
- 7.4.2 Interruption of more than 40 s but less than 1 week:
Apply the heater voltage for min. 40 s, then apply all other voltages simultaneously.
- 7.4.3 Interruption of more than 1 week:
Apply the heater voltage for the specified waiting time of 2 min.
Apply all other voltages simultaneously.

Remarks

If the voltages cannot be switched simultaneously the possibility exists that all the cathode current is flowing to the accelerator or the helix. This condition may never last for more than 10 ms, otherwise it will cause permanent damage to the tube. This may be avoided by switching the accelerator voltage on after the other electrode voltages, or off before the other electrode voltages.

8 INPUT AND OUTPUT CIRCUIT AND GROUP DELAY

In order to avoid phase distortions due to long-line effect, the insertion of an isolator between tube and antenna, and between tube and pre-stage is strongly recommended. The isolators should be positioned as close to the tube as possible.

If isolators with a V.S.W.R. of less than 1.05 are used at a short distance from the tube, the reflections result in a variation of group delay of less than 0.2 nanoseconds over a band of 20 MHz.

It may be noted that the difference between the voltage reflection coefficients of the hot and cold (i.e. without beam) tube is less than 0.2 for the input as well as the output side.

9 ENVIRONMENTAL CONDITIONS

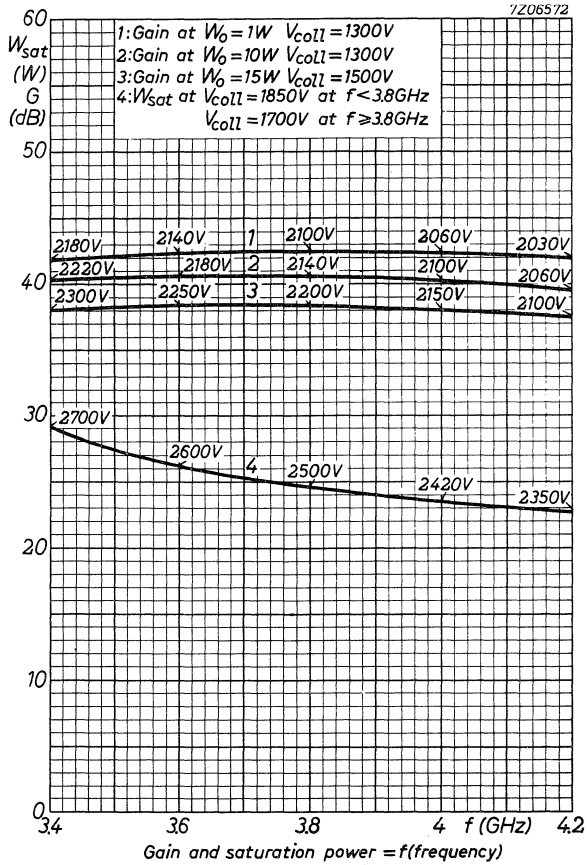
Ambient temperature

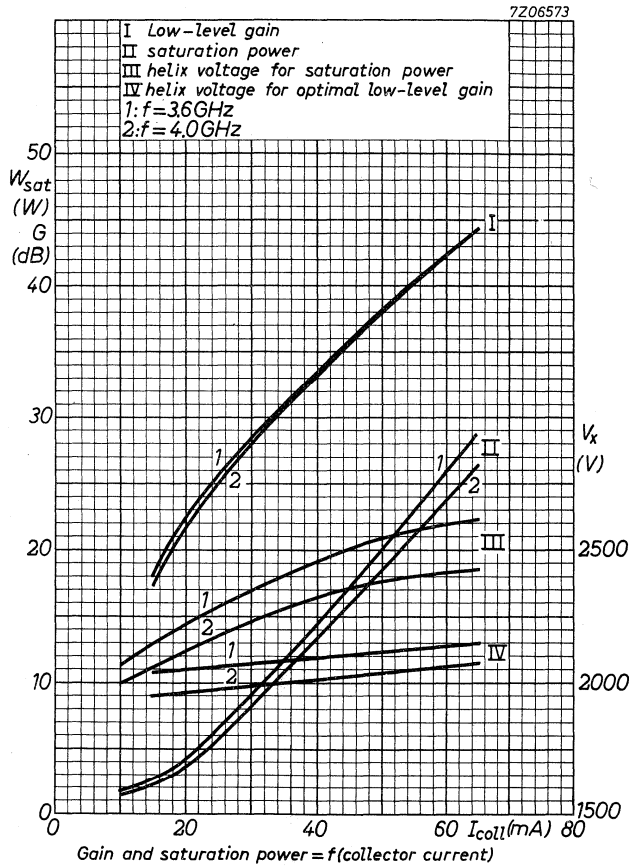
| | | | |
|-----------|-----------|------|--------|
| storage | t_{amb} | min. | -60 °C |
| | | max. | +65 °C |
| operation | t_{amb} | min. | -30 °C |
| | | max. | +65 °C |

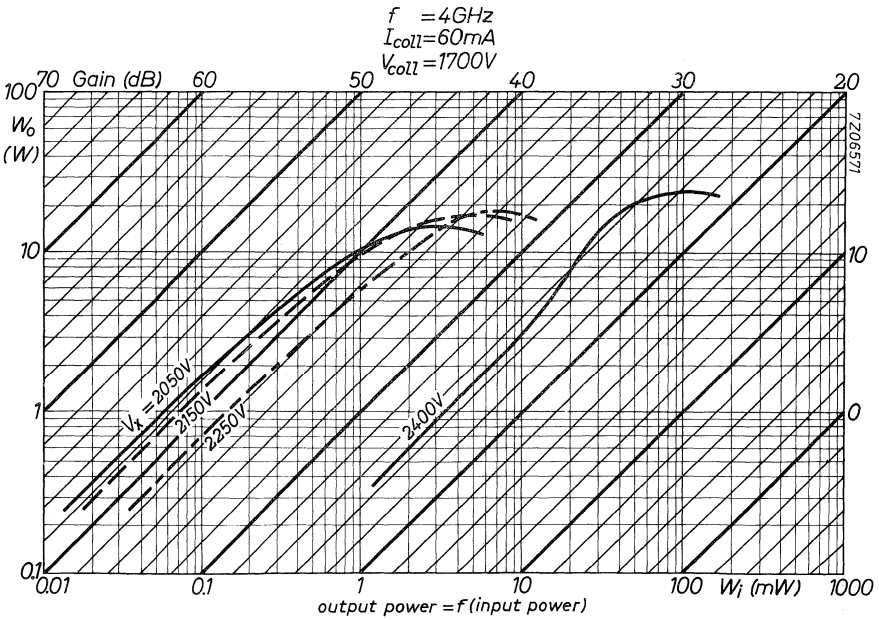
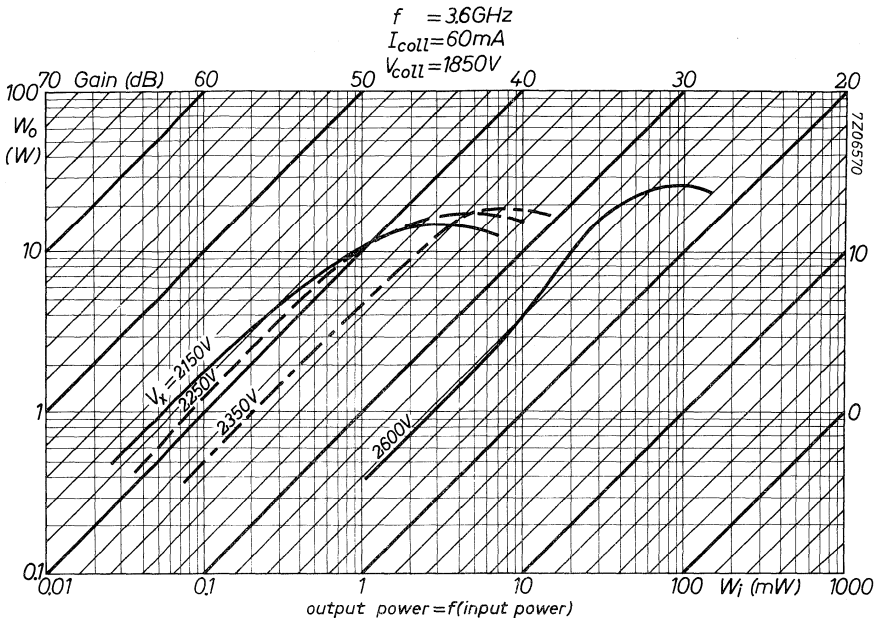
Relative humidity 0 to 95 %

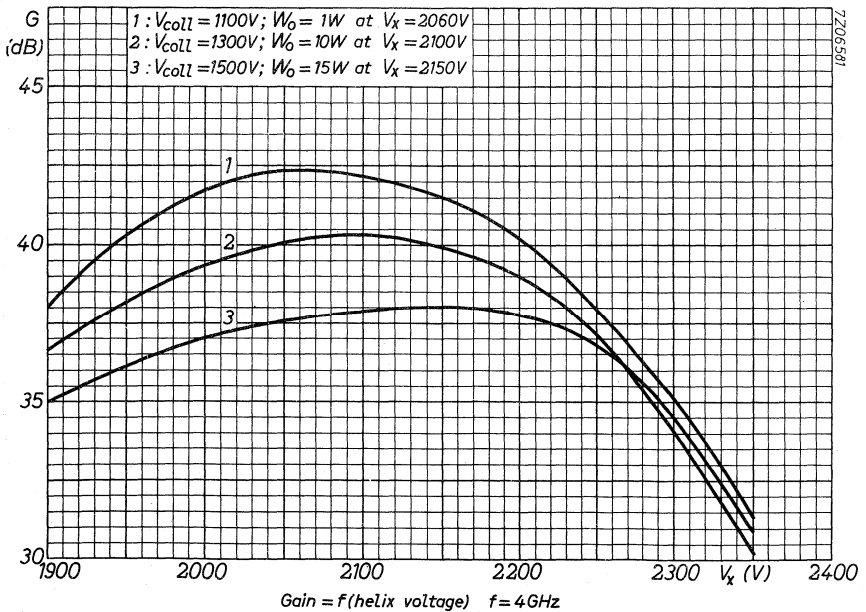
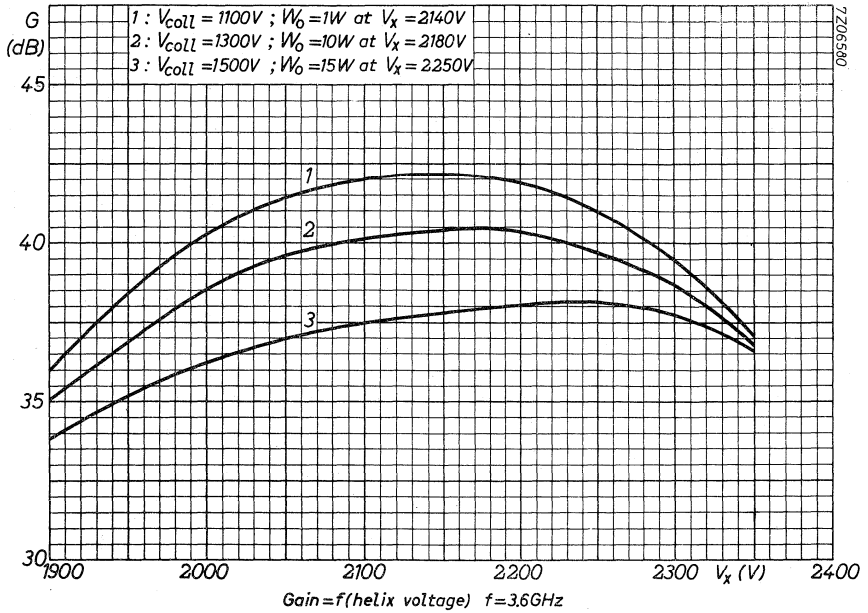
The tube and mount resist fungus attack.

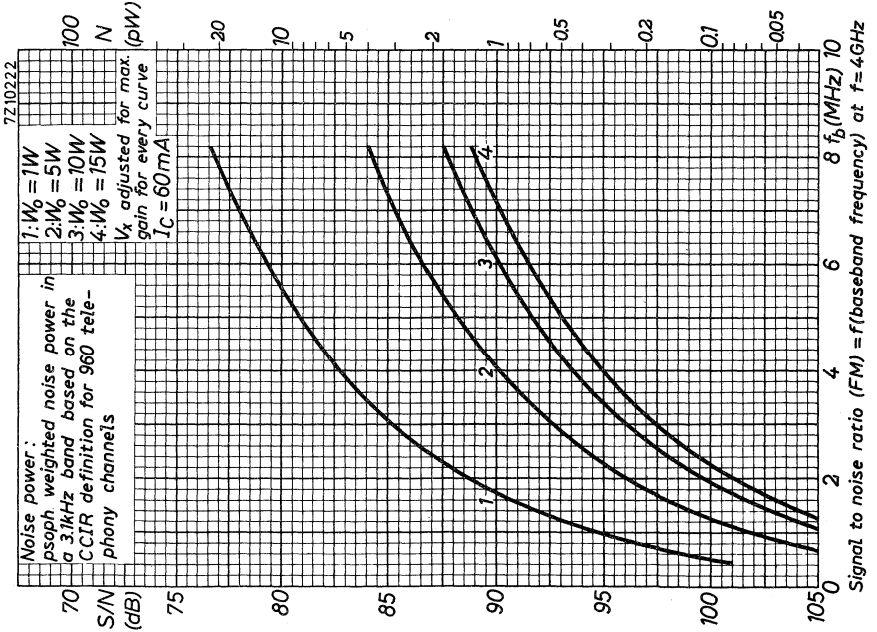
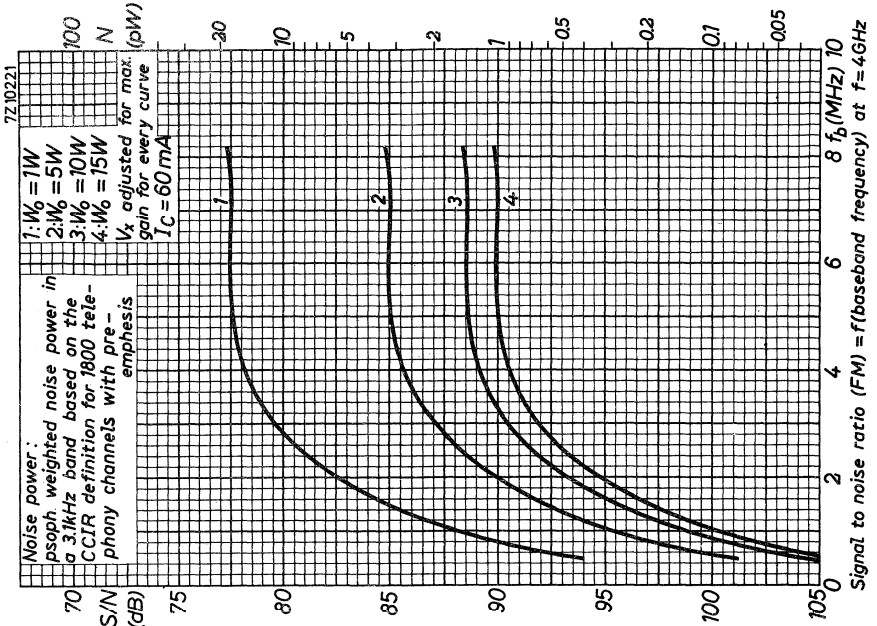
For changes in gain and helix current over the specified temperature range see curves on page 19

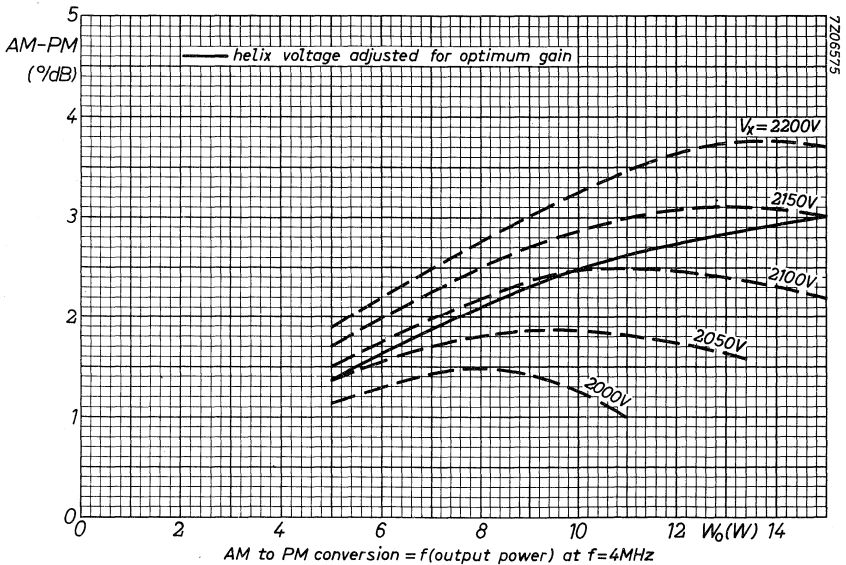
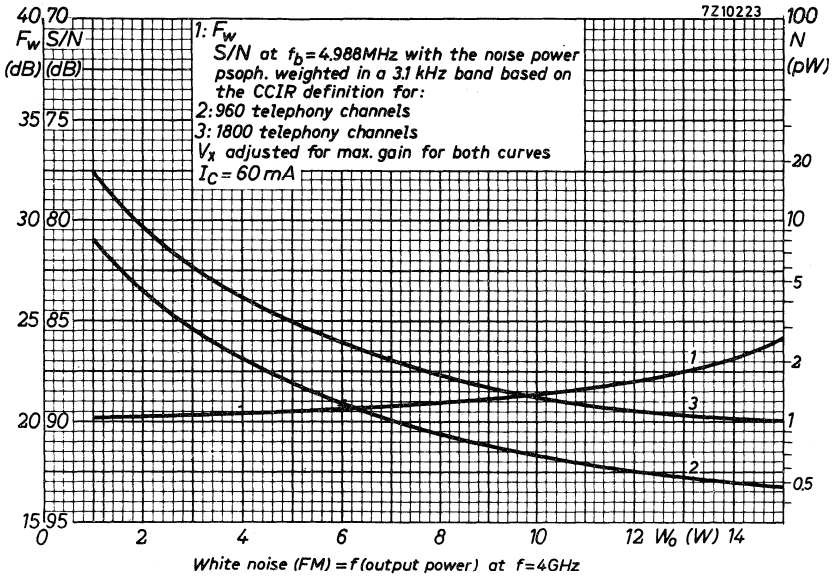


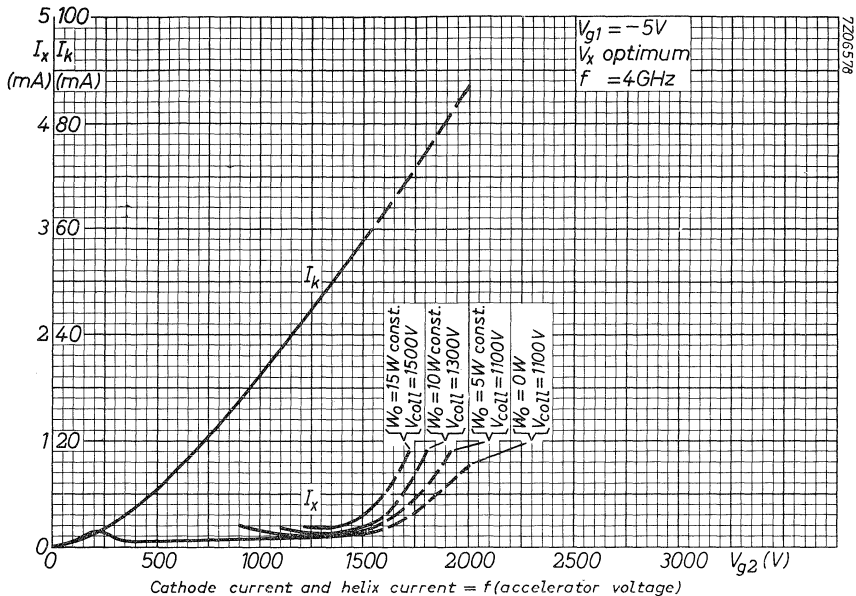




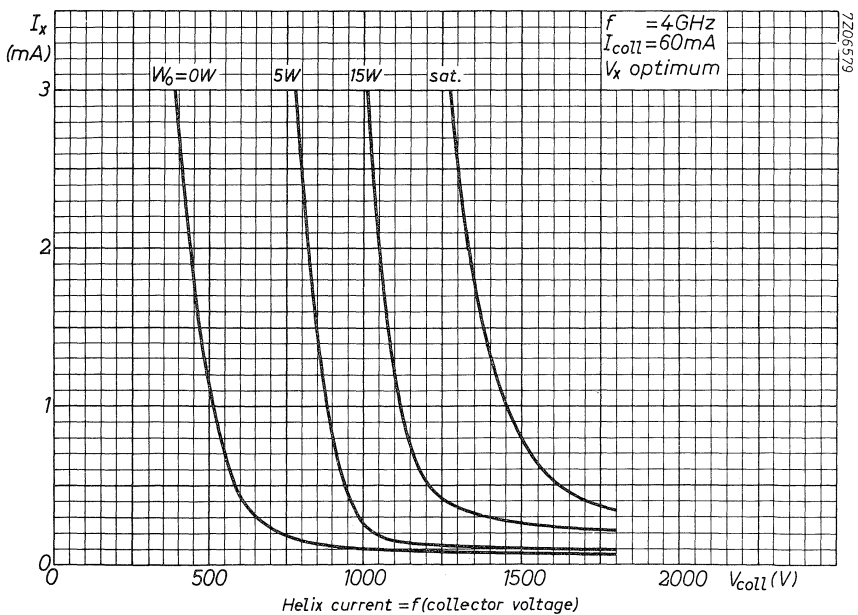




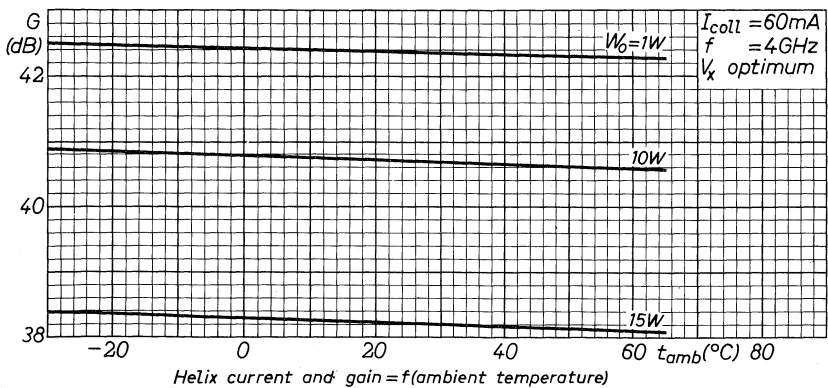
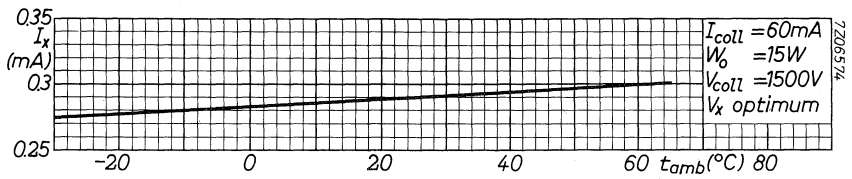
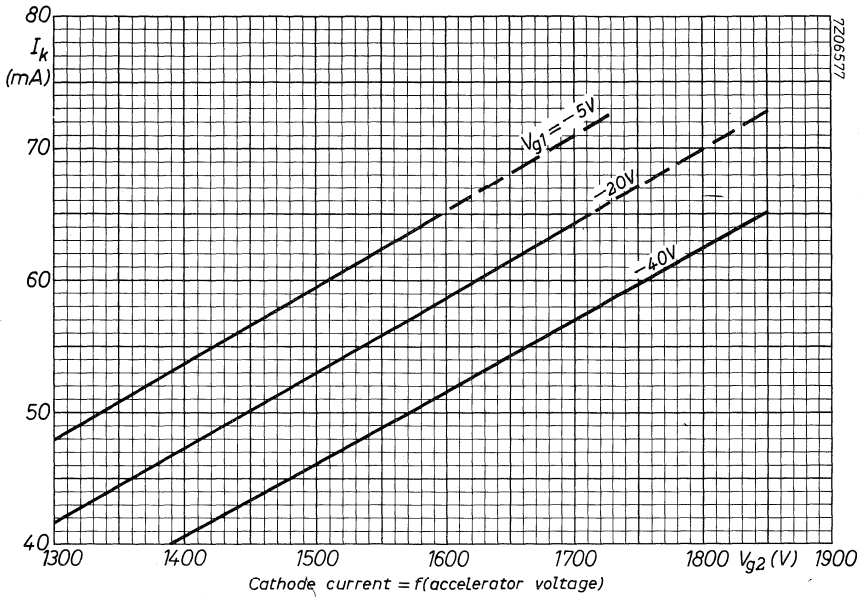




7206578



7206579



TRAVELLING-WAVE TUBE

Travelling-wave tube with a periodic permanent magnet mount designed for wide-band microwave link applications.

| QUICK REFERENCE DATA | |
|------------------------------------|---------------------------------------------|
| Frequency | 5.8 to 8.5 GHz |
| Saturation output power at midband | 22 W |
| Low-level gain | 42 dB |
| Interchangeability | plug-in focus, plug-in match |
| Construction | unpackaged |
| tube | glass-metal envelope,
metal-ceramic base |
| mount | periodic permanent magnet |

CATHODE: Dispenser type

HEATING: Indirect by A. C. or D. C.

| | | |
|----------------------------------------------------------------|-------|-----------------|
| Heater voltage | V_f | 6.3 V $\pm 2\%$ |
| Heater current at $V_f = 6.3$ V | I_f | approx. 1 A |
| Heating time before application of high voltage (waiting time) | T_w | min. 2 min |

For shorter waiting time when the tube already has been in operation see "Application of voltages".

COOLING: Natural cooling by conduction

MECHANICAL DATA

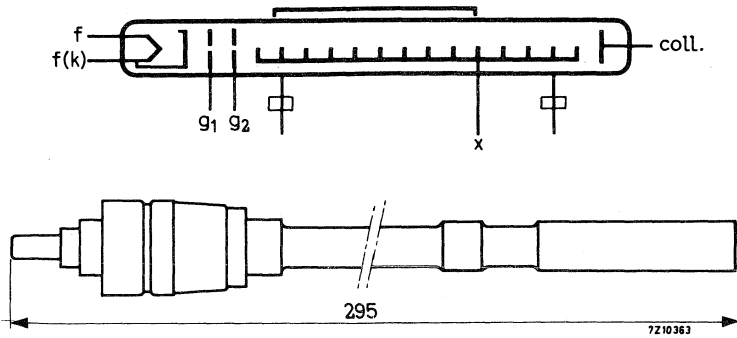
Dimensions in mm

Mounting position: Any. See "Design and operating notes" under "Cooling"

Weight of tube approx. 60 g

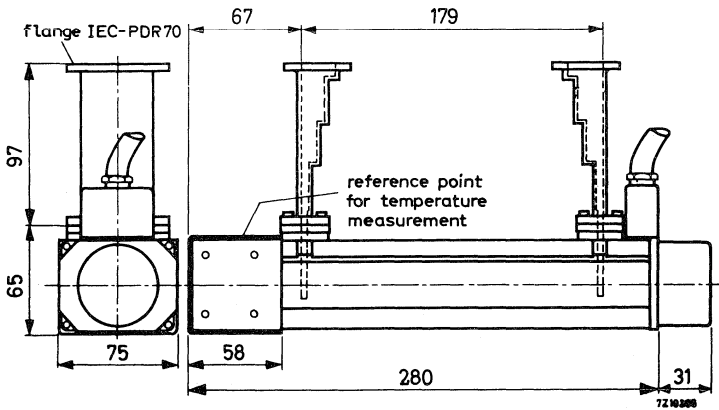
Weight of mount approx. 4.5 kg

Data based on pre-production tubes



ACCESSORIES (to be ordered separately)

- PPM mount for conduction cooling type 55337
- Waveguide taper (two required) type 55338
- to waveguide IEC-R70 (34.85 x 15.80 mm²)
- with flange mating IEC-PDR70

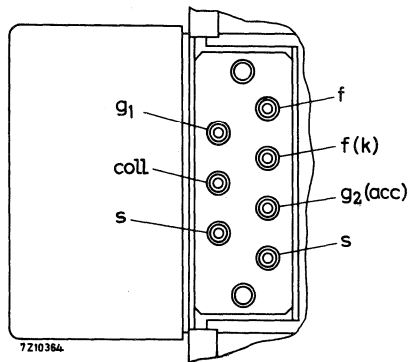


Mount with conduction (heatsink) cooling and waveguide tapers

Connections

The mount is provided with flying leads, marked by colours

| | |
|----------------------------------------------------------------------------|-------------------------|
| Heater/cathode | yellow |
| Heater | brown |
| Focusing electrode | green |
| Accelerator | blue |
| Helix | to be earthed via mount |
| Collector | red |
| Safety circuit (closed or opened, when
putting on or off the mount cap) | two violet leads |
| Connections in cable housing | |



GENERAL CHARACTERISTICS

| | | |
|--------------------------------------------------------|-----------|----------------|
| Frequency range | f | 5.8 to 8.5 GHz |
| Saturation output power (CW) | W_{sat} | 22 W 1) |
| Low-level gain | G | 42 dB 2) |
| Gain at $W_0 = 15$ W | G | 39 dB 3) |
| Thermal noise factor at $W_0 = 15$ W | F | 27 dB 4) |
| AM to PM conversion at $W_0 = 15$ W | | 3 °/dB 4) |
| Cold match at input and output
(f = 5.8 to 8.5 GHz) | V.S.W.R. | max. 1.5 5) |

1) Typical value measured at f = 7.2 GHz, $I_{coll} = 55$ mA, W_i and V_x optimally adjusted for saturation output power.

2) Typical value measured at f = 7.2 GHz, $I_{coll} = 55$ mA, $W_0 < 1$ W, V_x optimally adjusted for low level gain.

3) Typical value measured at f = 7.2 GHz, $I_{coll} = 55$ mA, V_x adjusted for optimum gain.

4) Typical value measured at f = 6 GHz, $I_{coll} = 55$ mA, V_x adjusted for optimum gain.

5) Measured on the cold tube, i. e. with the beam switched off and without use of any matching device (Plug-in match).

TYPICAL OPERATION

(Voltages are specified with respect to the cathode)

| | | | | | |
|----------------------------------------------|------------|---------|------|------|----------|
| Frequency | f | | 6.0 | | GHz |
| Output power | W_o | | 15 | 10 | 5 W |
| Helix voltage
(adjusted for optimum gain) | V_x | approx. | 2850 | 2800 | 2800 V |
| Collector voltage | V_{coll} | | 1350 | 1300 | 1100 V |
| Focusing electrode voltage | V_{g1} | | -5 | -5 | -5 V |
| Collector current | I_{coll} | | 55 | 55 | 55 mA |
| Gain | G | | 41 | 43 | 44 dB |
| Accelerator voltage | V_{g2} | | 2100 | 2100 | 2100 V |
| Accelerator current | I_{g2} | | <0.1 | <0.1 | <0.1 mA |
| Helix current
(plug-in focus) | I_x | | 1 | 1 | 0.8 mA |
| Thermal noise factor | F | | 27 | 24.5 | 24 dB |
| AM to PM conversion | | | 3 | 2.5 | 1.5 °/dB |
| Frequency | f | | | 7.2 | GHz |
| Output power | W_o | | 15 | 10 | 5 W |
| Helix voltage
(adjusted for optimum gain) | V_x | approx. | 2800 | 2750 | 2750 V |
| Collector voltage | V_{coll} | | 1350 | 1300 | 1100 V |
| Focusing electrode voltage | V_{g1} | | -5 | -5 | -5 V |
| Collector current | I_{coll} | | 55 | 55 | 55 mA |
| Gain | G | | 39 | 41 | 42 dB |
| Accelerator voltage | V_{g2} | | 2100 | 2100 | 2100 V |
| Accelerator current | I_{g2} | | <0.1 | <0.1 | <0.1 mA |
| Helix current
(plug-in focus) | I_x | | 1 | 1 | 0.8 mA |
| Thermal noise factor | F | | 27 | 24.5 | 24 dB |
| AM to PM conversion | | | 3 | 2.5 | 1.5 °/dB |

| | | | |
|----------------------------------------------|------------|--------------|----------|
| Frequency | f | 8.0 | GHz |
| Output power | W_o | 10 | 5 W |
| Helix voltage
(adjusted for optimum gain) | V_x | approx. 2750 | 2750 V |
| Collector voltage | V_{coll} | 1300 | 1100 V |
| Focusing electrode voltage | V_{g1} | -5 | -5 V |
| Collector current | I_{coll} | 55 | 55 mA |
| Gain | G | 37 | 39 dB |
| Accelerator voltage | V_{g2} | 2100 | 2100 V |
| Accelerator current | I_{g2} | <0.1 | <0.1 mA |
| Helix current
(plug-in focus) | I_x | 1 | 0.8 mA |
| Thermal noise factor | F | 27 | 24 dB |
| AM to PM conversion | | 2.5 | 1.5 °/dB |

LIMITING VALUES (Absolute maximum rating system)

(Voltages are specified with respect to the cathode unless otherwise specified)

| | | | |
|---------------------------------------------------------------|--------------|------------------------------------|-------------------|
| Focusing electrode voltage | $-V_{g1}$ | min. | 0 V |
| | | max. | 50 V |
| Accelerator voltage | V_{g2} | max. | 2700 V |
| Helix voltage | V_x | max. | 3200 V |
| Collector to helix voltage | V_{coll-x} | max. | 2500 V |
| Cathode current | I_k | max. | 60 mA |
| Accelerator current | I_{g2} | max. | 0.3 mA |
| Helix current | I_x | max. | 3 mA |
| R. F. input level | W_i | max. | 200 mW |
| Collector dissipation at $t_{amb} = 65\text{ }^\circ\text{C}$ | W_{coll} | $I_{coll} \times V_{coll} - W_o =$ | |
| | | max. | 90 W |
| Power reflected from load | | max. | 2 W ¹⁾ |
| Cooler temperature at reference point | t | max. | 150 °C |

¹⁾ To avoid overheating of the helix.

DESIGN AND OPERATING NOTES

1. INSTALLATION OF THE MOUNT

Two main methods may be discerned:

- a) Fixing the mount relative to the microwave circuit by only connecting the waveguide tapers to the input and output sides of the circuit.
- b) Employing a) and establishing additional support by fastening the mount to the rack with clamps. In this case it is recommended to use a short piece of flexible waveguide at the input and output sides to prevent excessive strain on the mount via the tapers, unless very careful alignment of the waveguides can be assured.

Possible forces on the waveguides must not produce a moment greater than 2 mkg at the flanges.

1.1 Mount

The mount has no movable parts. If clamps are used (method b) the slightly larger dimensions of the cooler as compared to the main part of the mount must be considered.

1.2 Magnetic shielding

The periodic permanent magnet is completely shielded. This implies that no additional measures need be taken to prevent the magnetic properties of the mount from being affected by external magnetic fields. The mount will not influence surrounding equipment which is susceptible to stray magnetic fields. Several mounts may be placed side by side without disturbing the focusing qualities. Isolators may be installed quite near to the mount.

Warning

If any part of the shielding is removed, the magnetic properties of the mount may be disturbed irreversibly.

2. INSTALLATION OF THE TUBE

Unlock the mount cap (see outline drawing) by turning it slightly counterclockwise. The cap can then easily be removed, and the tube inserted by carefully pushing it in.

Finally put the cap on the mount again, and lock by turning it clockwise.

These instructions also apply (in the reverse order) for taking the tube out of the mount.

3. SAFETY

The supply voltages are fed to the tube via the mount cap. When the cap is unlocked all voltages are removed from the tube. The two violet leads can be incorporated into an additional safety circuit which switches the voltages off at the power supply if the cap is unlocked. Thus the voltages can also be removed from the mount.

The mount should always be earthed.

4. POWER SUPPLY

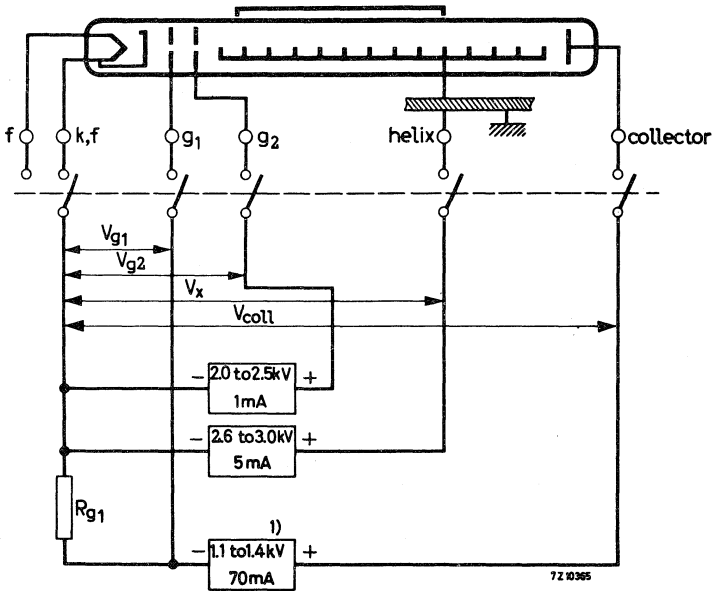
An example of a supply circuit for 5, 10 and 15 W operation is given in the figure.

The design of the power supply should be such that V_{g_2} can be varied between 2.0 and 2.5 kV, V_x between 2.6 and 3.0 kV. V_{g_1} is -5 V at $I_{coll} = 55$ mA.

The collector voltage must be 1.1 kV, 1.3 kV, or 1.35 kV at $I_{coll} = 55$ mA for a desired output of 5 W, 10 W or 15 W respectively.

For measurements of saturation output power the collector voltage should be 1.5 kV.

The helix voltage may then reach 3.2 kV.



5. COOLING

Tube and mount need no artificial means of cooling. Natural cooling of the collector has been made possible by depression of the collector potential with respect to the helix and by ensuring adequate heat transfer from the collector to the environment.

Under typical operating conditions and at an ambient temperature of not more than 65 °C, the cooler temperature at the reference point (see drawing) is well below the limit, provided an aluminium heatsink of 300 mm x 300 mm x 6 mm is mounted on one of the cooler surfaces. The heatsink is best fixed with its centre coinciding with that of the cooler, and in a vertical position. The mount itself may have any position in the equipment.

Other heatsink configurations may be employed. It will then be necessary to check the temperatures reached at the reference point under extreme conditions e.g. 65 °C ambient temperature.

6. APPLICATION OF VOLTAGES

6.1 Switching-on procedure for new tubes

- 6.1.1 Apply the heater voltage for the specified waiting time.
- 6.1.2 Apply the rated voltages to the collector, the helix, the accelerator (and in case of a separate supply to the focusing electrode) simultaneously (see Remarks).
- 6.1.3 Adjust the accelerator voltage to obtain a collector current of 55 mA.
- 6.1.4 Apply the R.F. input signal, adjust the level to obtain the required output power while simultaneously adjusting the helix voltage for optimum gain.

6.2 Readjustment during life

During life the collector current may decrease.

A readjustment of the accelerator voltage to obtain $I_{coll} = 55$ mA will then be necessary.

6.3 Switching-off procedure

All voltages should be switched off simultaneously.

If this is not feasible, do as described under "Remarks".

6.4 Switching-on procedure after interruption of voltage (also see the Remarks)

- 6.4.1 Interruption of less than 40 s:
Switch on all voltages simultaneously.
- 6.4.2 Interruption of more than 40 s but less than 1 week:
Apply the heater voltage for min. 40 s, then apply all other voltages simultaneously.
- 6.4.3 Interruption of more than 1 week:
Apply the heater voltage for the specified waiting time of 2 min.
Apply all other voltages simultaneously.

Remarks

When the voltages cannot be switched simultaneously all the cathode current may flow to the accelerator or the helix. If this condition lasts for more than 10 ms, it will cause permanent damage to the tube. The remedy is to switch the accelerator voltage on after the other electrode voltages, or off before the other electrode voltages.

7. INPUT AND OUTPUT CIRCUIT AND GROUP DELAY

In order to avoid phase distortions due to long-line effect, the insertion of an isolator between tube and antenna, and another between tube and pre-stage is strongly recommended. The isolators should be positioned as close to the tube as possible.

If isolators with a V.S.W.R. of less than 1.05 are used at a short distance from the tube, the reflections result in a variation of the group delay of less than 0.2 nanoseconds over a band of 20 MHz.

It may be noted that the difference between the voltage reflection coefficients of the hot and the cold (i.e. without beam) tube is less than 0.2 for the input as well as the output side.

8. ENVIRONMENTAL CONDITIONS

Ambient temperature

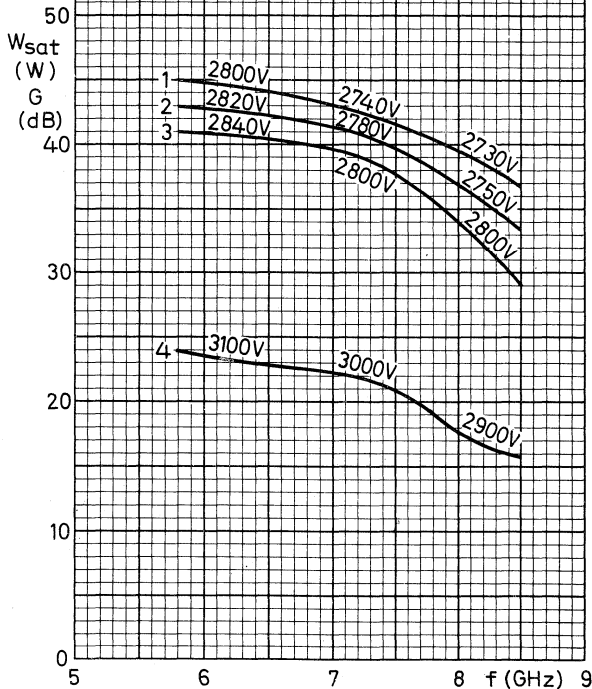
| | | | |
|-----------|-----------|------|--------|
| storage | t_{amb} | min. | -60 °C |
| | | max. | +65 °C |
| operation | t_{amb} | min. | -30 °C |
| | | max. | +65 °C |

Relative humidity 0 to 95 %

The tube and mount resist fungus attack.

7Z10362

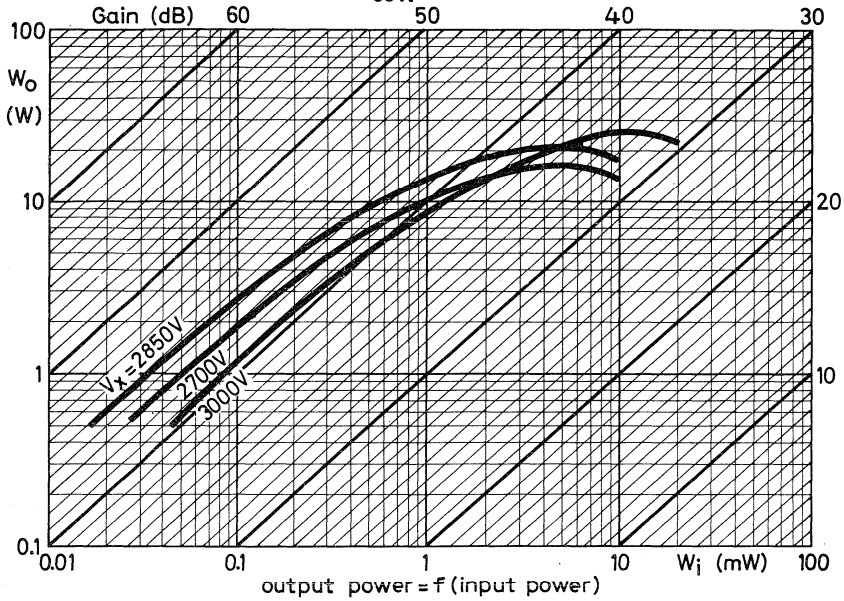
| | | |
|-------------------------|---------------------|------------------|
| 1: Gain at $W_o = 1$ W | $V_{coll} = 1100$ V | $V_f = 6.3$ V |
| 2: Gain at $W_o = 10$ W | $V_{coll} = 1300$ V | $V_p = -5$ V |
| 3: Gain at $W_o = 15$ W | $V_{coll} = 1350$ V | $V_x = V_{xopt}$ |
| 4: $W_o = W_{sat}$ | $V_{coll} = 1500$ V | $I_c = 55$ mA |



Gain and saturation power = f (frequency)

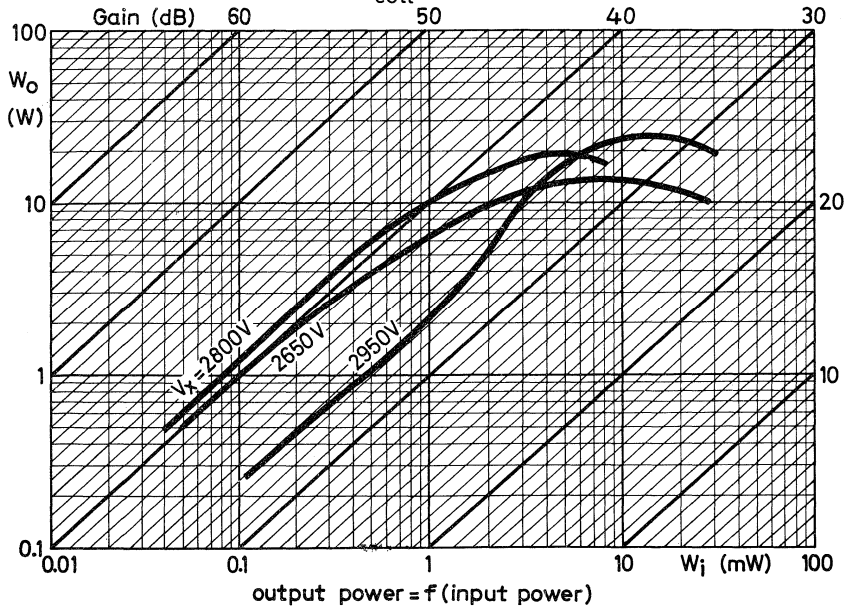
$f = 6 \text{ GHz}$
 $I_{\text{coll}} = 55 \text{ mA}$
 $V_{\text{coll}} = 1500 \text{ V}$

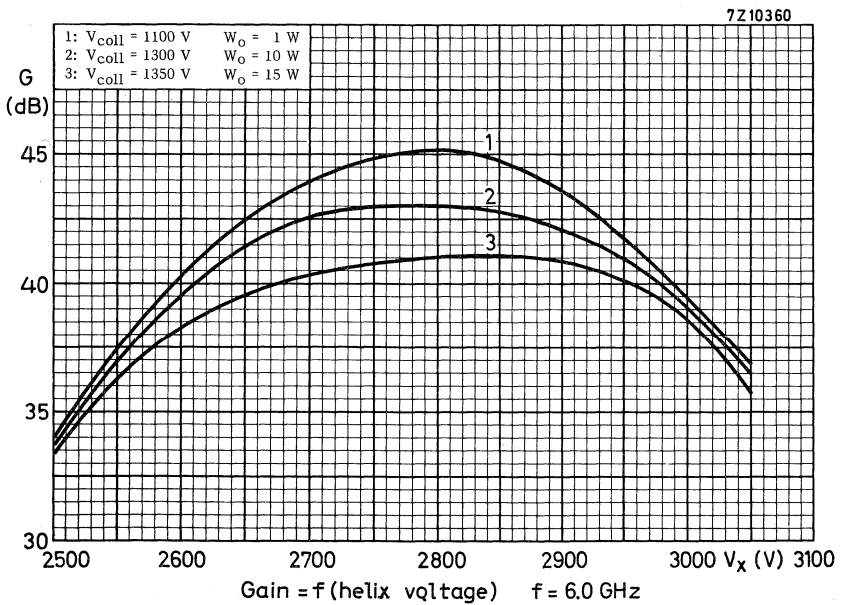
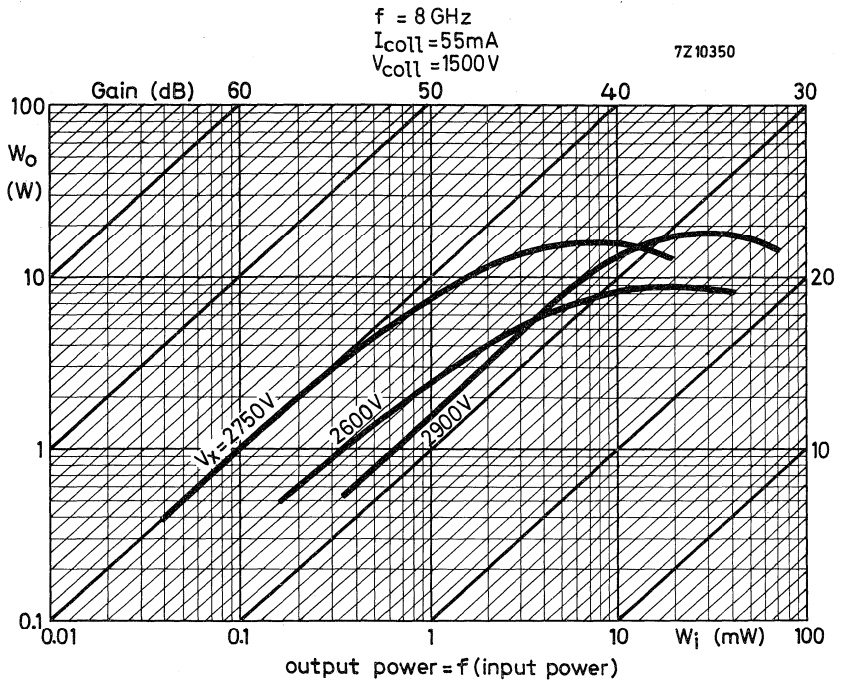
7210351



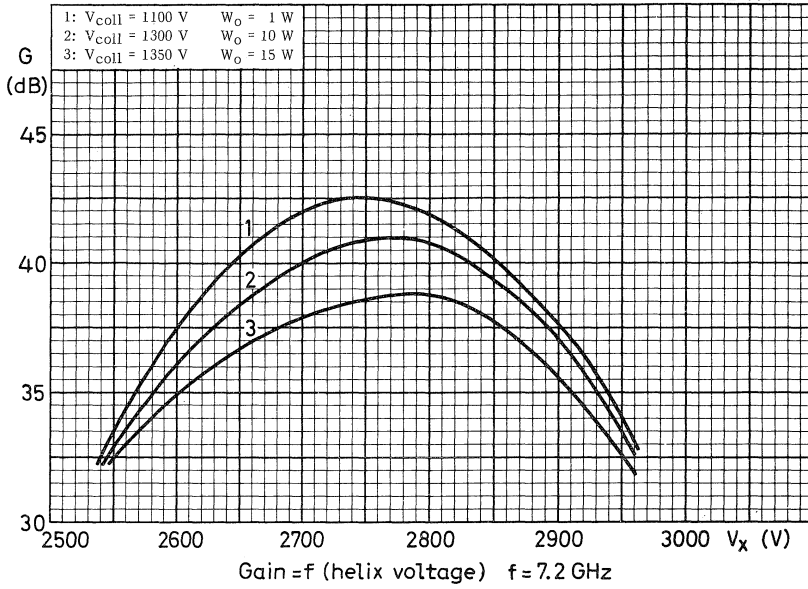
$f = 7.2 \text{ GHz}$
 $I_{\text{coll}} = 55 \text{ mA}$
 $V_{\text{coll}} = 1500 \text{ V}$

7210352

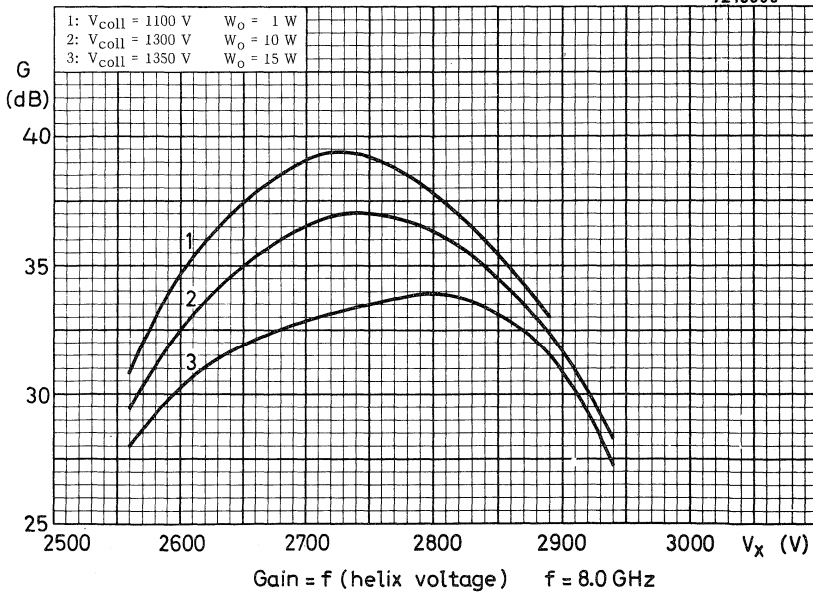


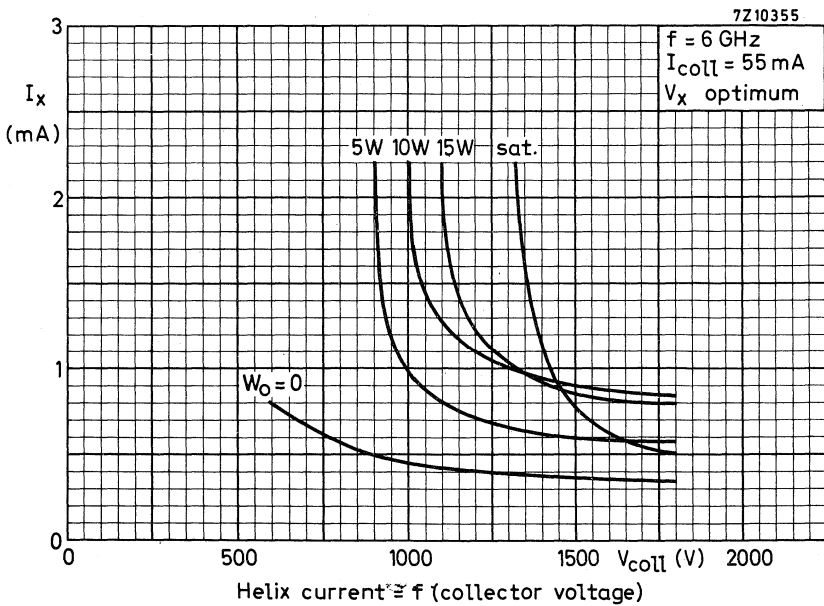
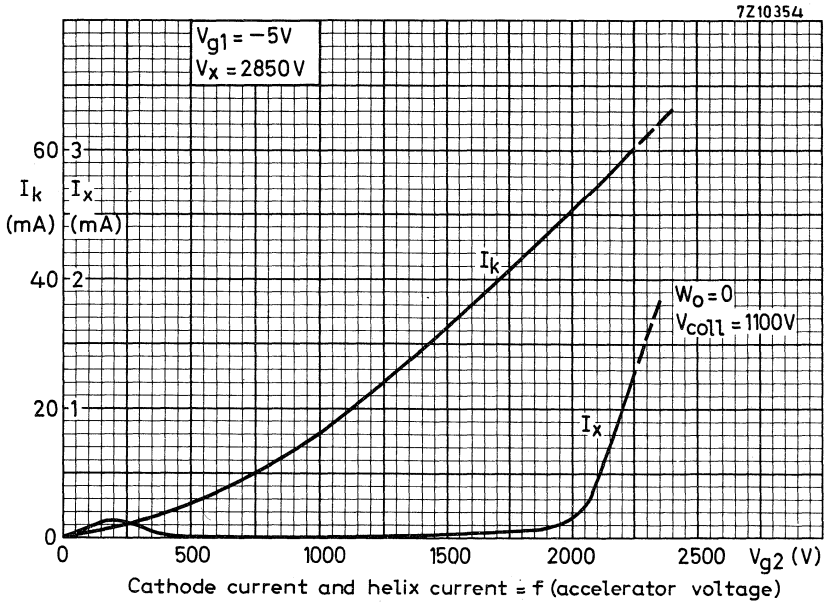


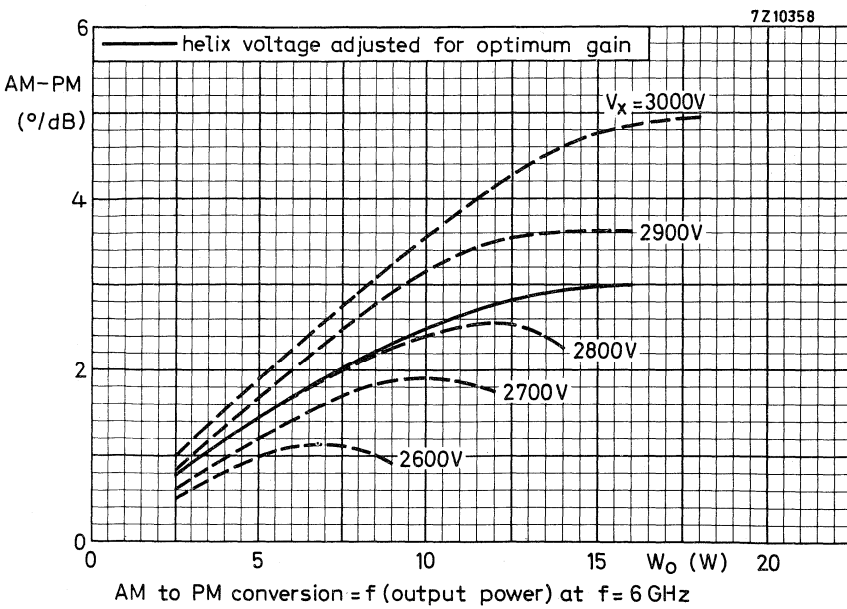
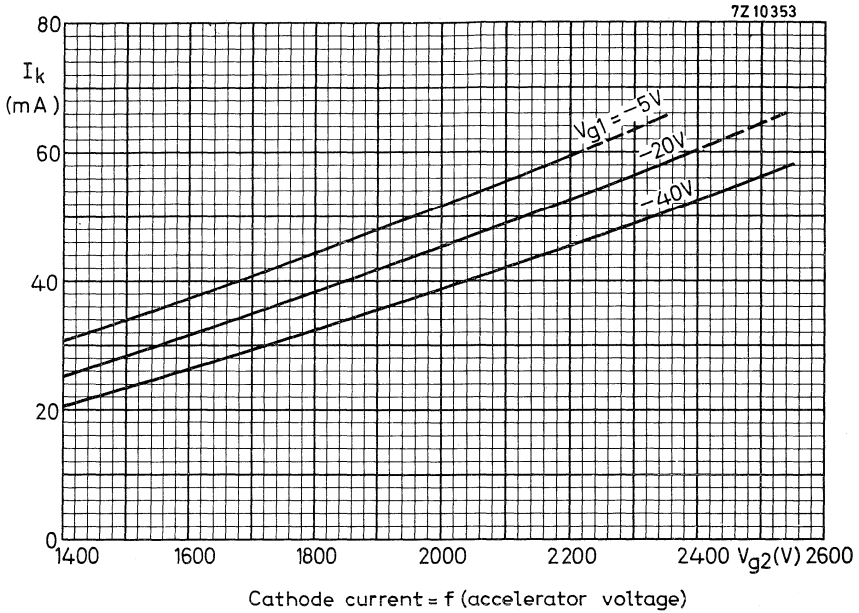
7Z10361

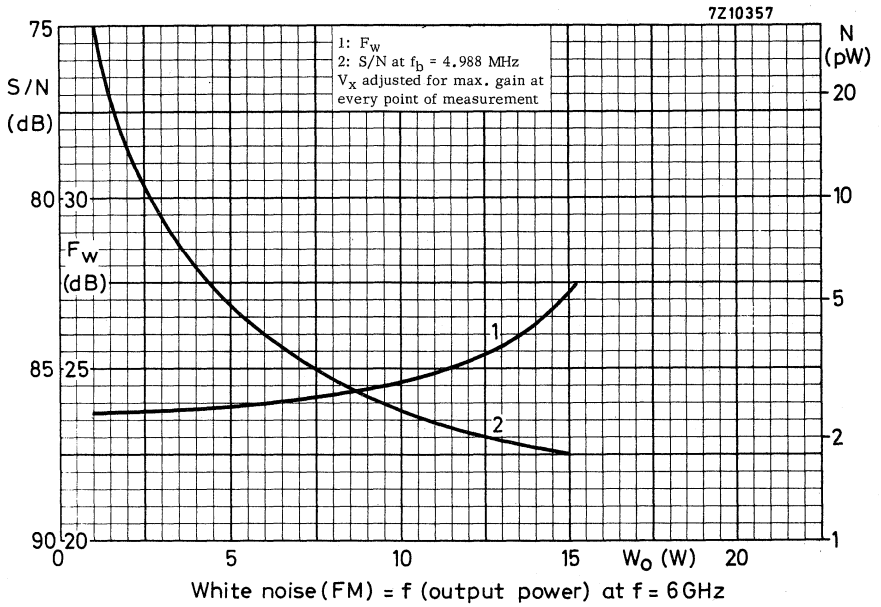


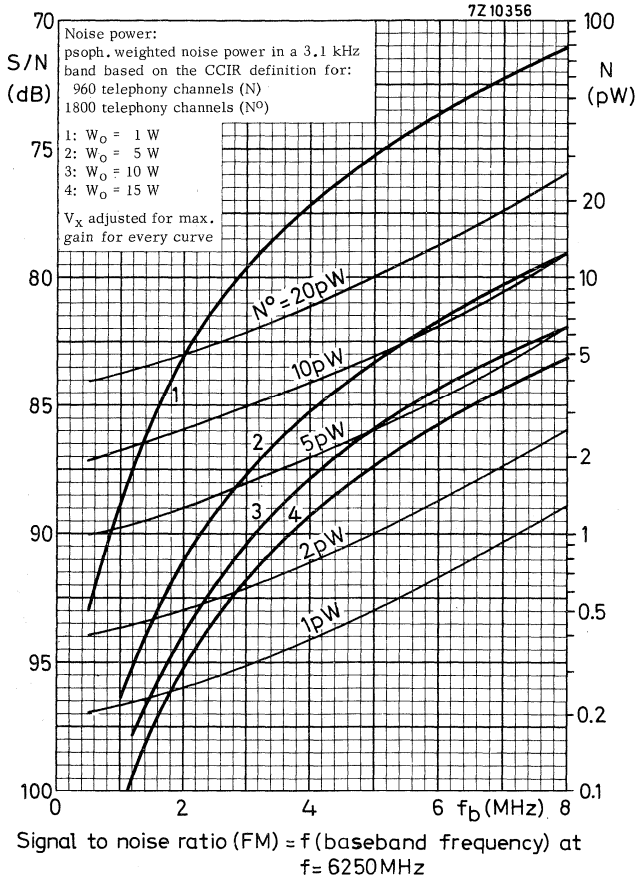
7Z10359











TRAVELLING WAVE TUBE

QUICK REFERENCE DATA

| | | | |
|---------------------------|---------------------------------------------------------|---|----------------|
| Frequency | f | = | 4.4 to 5.0 GHz |
| Low level gain at 5.0 GHz | G | > | 36 dB |
| Saturated output power | W_o | > | 6 W |
| Construction | unpackaged with uniform field permanent magnet focusing | | |

DESCRIPTION

The wave propagating structure is of the helical type. The separate mount for the tube with r.f. conductors for coupling to the input and output waveguides contains a permanent magnet of the uniform field type, which is completely shielded by means of the surrounding box.

The tube is designed for plug-in match in the waveguide circuit. This gives the advantage that, after changing tubes, no tuning will be necessary, nor will the voltages on the tube have to be reestablished, apart from the starting procedure. Only a slight adjustment of the tube in the magnetic field will be required.

HEATING: indirect; dispenser type cathode

| | | | |
|----------------|-------|---|------------|
| Heater voltage | V_f | = | 6.3 V |
| Heater current | I_f | = | 800 mA |
| Waiting time | T_w | = | min. 5 min |

GENERAL CHARACTERISTICS

| | | | |
|--------------------------------------------------|------------|---|---------|
| Magnetic field strength | H | = | 600 Oe |
| Cold transmission loss ($f = 4.4$ to 5.0 GHz) | | > | 55 dB |
| Saturated output power ($I_{coll} = 50$ mA) | W_o | > | 6 W |
| Frequency | f | = | 5.0 GHz |
| Helix voltage | V_x | = | optimal |
| Collector current | I_{coll} | = | 50 mA |
| Output power | W_o | = | 100 mW |
| Low level gain | G | > | 36 dB |

MECHANICAL DATA

Dimensions in mm

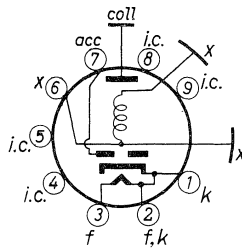
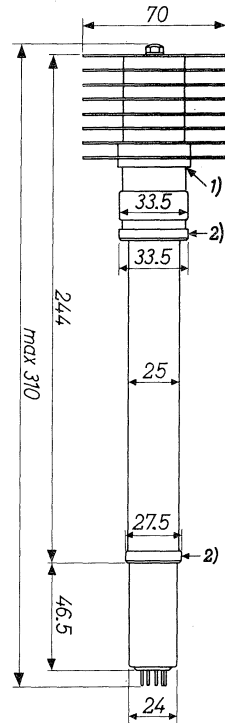
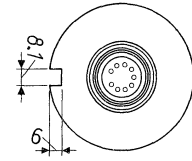
Net weight 0.5 kg

Net weight of mount 30 kg

Input and output
waveguides RG-49/U

Connections of the plug of the mount

- 1 } Helix (x)
- 2 } Helix (x)
- 3 -
- 4 Collector (coll)
- 5 Accelerator (acc)
- 6 Heater (f)
- 7 Heater and cathode (f, k)



Tube base (Noval)

Mounting position: arbitrary

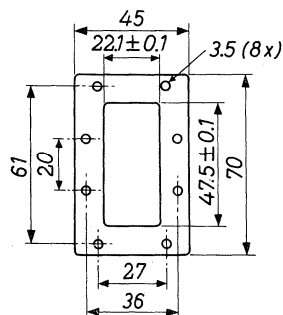
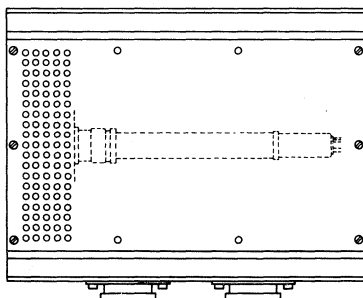
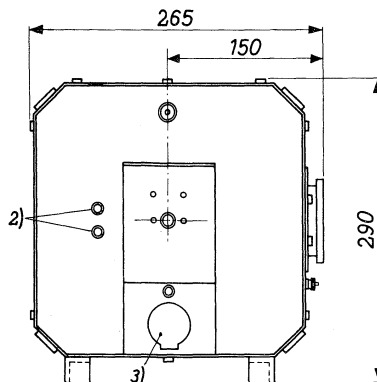
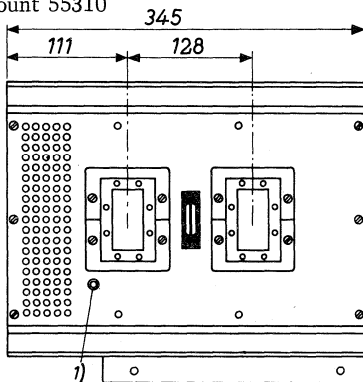
1) Reference point for collector temperature measurement

2) Contact rings

MECHANICAL DATA (continued)

Dimensions in mm

Mount 55310



ATTENTION

Do not apply voltages to the tube when the door is open

Do not remove any part of the shielding box, nor introduce ferro-magnetic materials into the mount.

NOTE

A socket wrench for the alignment screws is fixed near the fastener on the door.

1) Earth connection

2) Alignment screws

3) Connector to power supply

LIMITING VALUES (Absolute limits)Voltages with respect to cathode

| | | | |
|------------------------------|-------------|---|---------------------------|
| Heater voltage | V_f | = | $6.3 \text{ V} \pm 2\%$ |
| Cathode current | I_k | = | max. 55 mA |
| Accelerator voltage | V_{acc} | = | max. 1500 V |
| Accelerator to helix voltage | V_{acc-x} | = | max. 500 V |
| Accelerator current | I_{acc} | = | max. 0.35 mA |
| Helix voltage | V_x | = | max. 1500 V ¹⁾ |
| Helix current | I_x | = | max. 4 mA |
| Collector voltage | V_{coll} | = | max. 1500 V |
| Collector dissipation | W_{coll} | = | max. 70 W |
| Collector temperature | t_{coll} | = | max. 175 °C ²⁾ |

OPERATING CHARACTERISTICS as power amplifierVoltages with respect to helix

| | | | |
|-------------------------------------|------------|---|-------------------|
| Frequency | f | = | 4.4 to 5.0 GHz |
| Cathode voltage | V_k | = | -1100 V |
| Accelerator voltage | V_{acc} | = | -30 V |
| Accelerator current | I_{acc} | < | 0.35 mA |
| Helix current | I_x | < | 3 mA |
| Collector voltage | V_{coll} | = | +50 V |
| Collector current | I_{coll} | = | 47 to 53 mA |
| Power gain at $f = 5.0 \text{ GHz}$ | | | |
| at $W_0 = 100 \text{ mW}$ | G | > | 34 dB |
| at $W_0 = 2.5 \text{ W}$ | G | > | 32 dB |
| Voltage standing wave ratio | VSWR | < | 1.5 ³⁾ |
| Noise figure | F | < | 30 dB |

¹⁾ The helix is galvanically connected to the mount.

²⁾ For reference point of the collector temperature see note 1) page 2.

³⁾ For input and output. Measured cold, i. e. with beam switched off.
For further particulars see paragraph "Transmission line".

Cooling

The tube is convection cooled by natural air circulation. Under normal operating conditions and at $t_{amb} < 55\text{ }^{\circ}\text{C}$ no forced air cooling is required to keep the collector temperature below the maximum permissible value of $175\text{ }^{\circ}\text{C}$, provided the tube is mounted horizontally and no obstructions are offered for the air circulation through the ventilation holes in the mount. For less favourable conditions a slight additional air flow will be necessary.

Shielding

Nowhere along the box surface a magnetic field strength of 2000 Oe close to the shielding plates extended over a cross sectional area of 30 cm^2 and directed perpendicular to the box surface, causes a change, worth mentioning, in the focus quality. Several mounts may be placed on top of or next to each other, without mutual disturbance of focusing qualities.

The stray field of the mount, measured at a distance of 1 cm from the box, is in general less than 10 Oe. On a few spots, e.g. near the ventilation holes and the alignment screws this value is exceeded with max. 20 Oe, but then the 10 Oe value is still reached within a distance of 4 cm from the box.

Transmission line

To obtain the full benefit of the broadband characteristics of the tube, the insertion of an isolator between the tube and the prestage and between the tube and the antenna is strongly recommended. The isolators should be positioned as close as possible to the tube. By these provisions phase distortion by long line effects is avoided.

The difference between the reflection coefficients at input and output sides of the cold tube (i.e. without beam) and the warm tube is less than 0.2.

Provided an isolator with a VSWR of less than 1.05 is placed at a short distance (10 to 20 cm) at either side of the tube, the reflections result in a variation of group delay of less than 0.1 μsec over a band of 20 MHz.

Operating instructions

The mount is provided with an alignment device for the proper positioning of the tube with respect to the magnetic field in the mount.

For alignment screws see drawing of the mount.

As the helix current depends on the position of the tube with respect to the magnetic field, special attention must be given to the proper alignment of the tube during the steps c and d of the starting procedure given below. To prevent tube damage it is essential to observe the 4 mA maximum limit on the helix current.

1. Starting procedure

- 1.1 Remove the plug, loosen the fastener and open the door.
- 1.2 Insert the tube into the mount as shown in the drawing of the mount (take care, the tube is subject to magnetic forces). When the tube is blocked by some parts of the mount, a small correction in the position of the tube will be sufficient to avoid the obstacles.
- 1.3 Close the door, lock the fastener and put on the plug.
- 1.4 Switch on the supply voltages in the following sequence (the voltages mentioned below are with respect to the helix, which is normally at ground potential):
 - a. Apply the rated heater voltage for at least 5 minutes.
 - b. Apply +50 V to the collector and -30 V to the accelerator. These voltages may be applied simultaneously.
 - c. Apply the cathode voltage gradually, adjusting the alignment of the tube in order not to exceed 4 mA helix current.
 - d. Apply the H. F. signal to the input of the tube and adjust the alignment of the tube until the helix current reaches a minimum.

2. Switching procedure after interruption of voltages

- 2.1 Interruption less than 1 second. All voltages can be applied simultaneously. The output will reach 95% of the stable end value within 0.2 sec after the application of the voltages.
- 2.2 Interruption 1 sec or more. The voltages must be applied in the following sequence:
 - a. Apply the rated heater voltage for at least 40 seconds.
 - b. Apply +50 V to the collector and -30 V to the accelerator. These voltages may be applied simultaneously.
 - c. Apply the rated cathode voltage. Voltages mentioned under b) and c) can be applied simultaneously.

The H. F. voltage can be applied at any time.

The output will reach 95% of the stable end value within 60 sec after the application of the heater voltage.

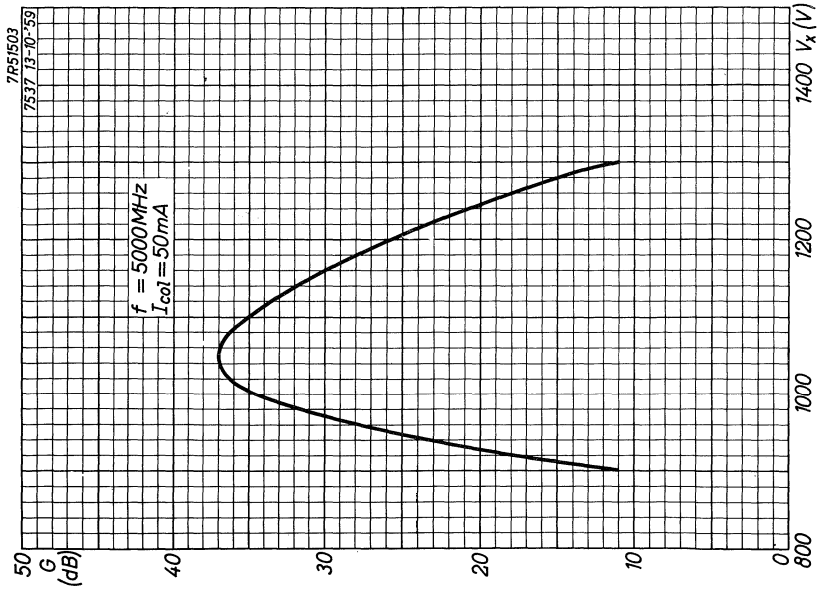
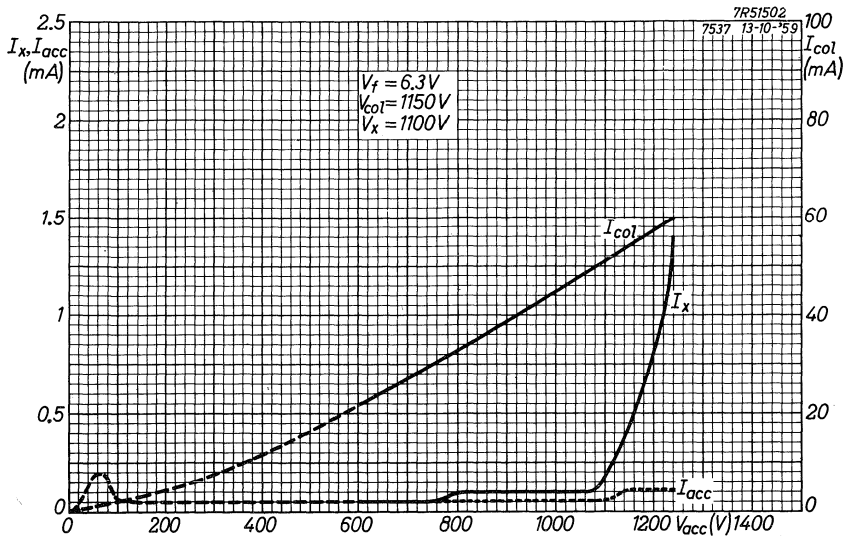
Remark

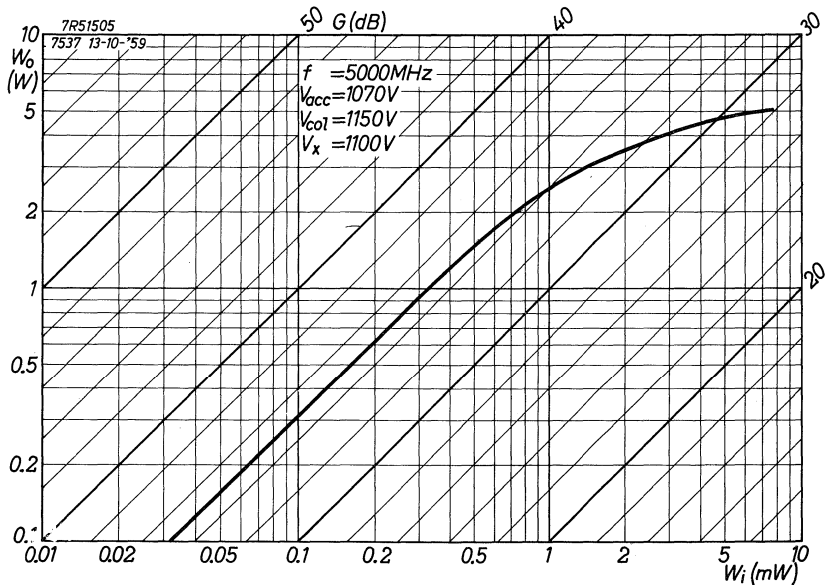
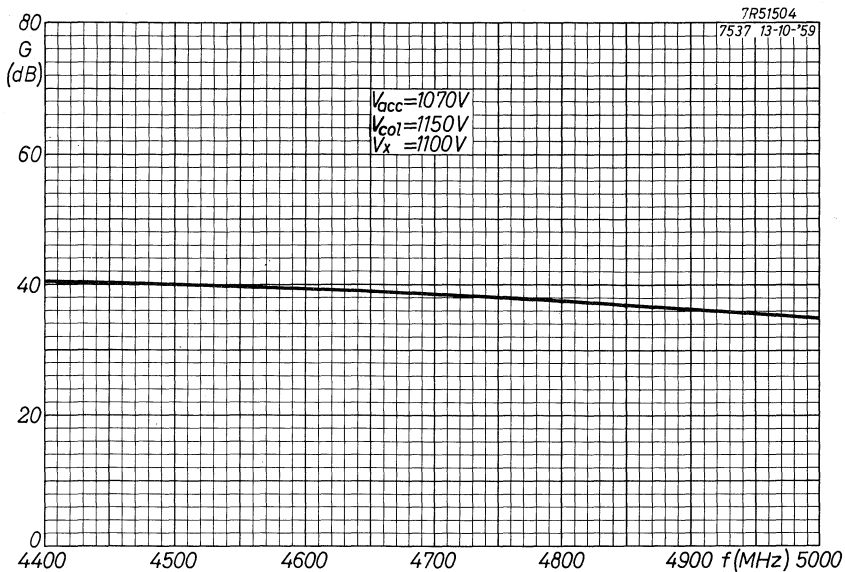
The procedure described under 2.2 can be followed without any risk of disturbing the properties of the tube. It should be noted, however, that normally about 5 minutes cathode heating time is required to obtain completely stable operation of the tube.

3. Switching off procedure

- 3.1 a. Switch off all voltages simultaneously.
b. Remove plug, open the door and pull out the tube.
- 3.2 a. Bring accelerator voltage to helix potential.
b. Switch off the cathode voltage.
c. Switch off the accelerator, collector and heater voltages.
d. Remove plug, open the door and pull out the tube.

The methods 3.1 and 3.2 are optional.





TRAVELLING WAVE TUBE

| QUICK REFERENCE DATA | | |
|---------------------------|---------------------------------------------------------|------------------|
| Frequency | f | = 3.8 to 4.2 GHz |
| Low level gain at 4.2 GHz | G | > 39 dB |
| Saturated output power | W_o | > 8 W |
| Construction | unpackaged with uniform field permanent magnet focusing | |

DESCRIPTION

The wave propagating structure is of the helical type. The separate mount for the tube with r.f. conductors for coupling to the input and output waveguides contains a permanent magnet of the uniform field type, which is completely shielded by means of the surrounding box.

The tube is designed for plug-in match in the waveguide circuit. This gives the advantage that, after changing tubes, no tuning will be necessary, nor will the voltages on the tube have to be reestablished, apart from the starting procedure. Only a slight adjustment of the tube in the magnetic field will be required.

HEATING: indirect; dispenser type cathode

| | | |
|----------------|-------|--------------|
| Heater voltage | V_f | = 6.3 V |
| Heater current | I_f | = 800 mA |
| Waiting time | T_w | = min. 5 min |

GENERAL CHARACTERISTICS

| | | |
|--------------------------------------------------|------------|-----------|
| Magnetic field strength | H | = 600 Oe |
| Cold transmission loss ($f = 3.8$ to 4.2 GHz) | | > 60 dB |
| Saturated output power ($I_{coll} = 50$ mA) | W_o | > 8 W |
| Frequency | f | = 4.2 GHz |
| Helix voltage | V_x | = optimal |
| Collector current | I_{coll} | = 50 mA |
| Output power | W_o | = 100 mW |
| Low level gain | G | > 39 dB |

MECHANICAL DATA

Dimensions in mm

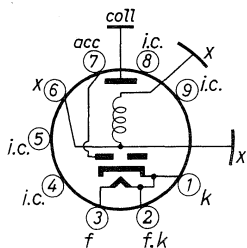
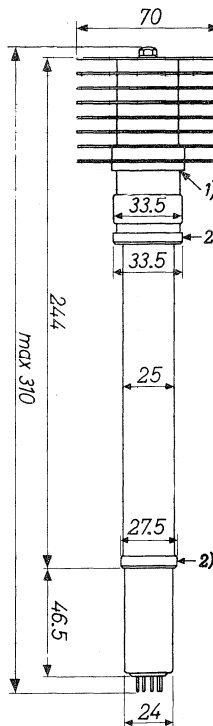
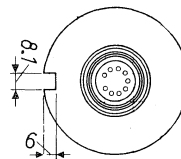
Net weight 0.5 kg

Net weight of mount 30 kg

Input and output
waveguides WR229

Connections of the plug of the mount

- 1 } Helix (x)
- 2 }
- 3
- 4 Collector (coll)
- 5 Accelerator (acc)
- 6 Heater (f)
- 7 Heater and cathode (f,k)



Tube base (Noval)

Mounting position: arbitrary

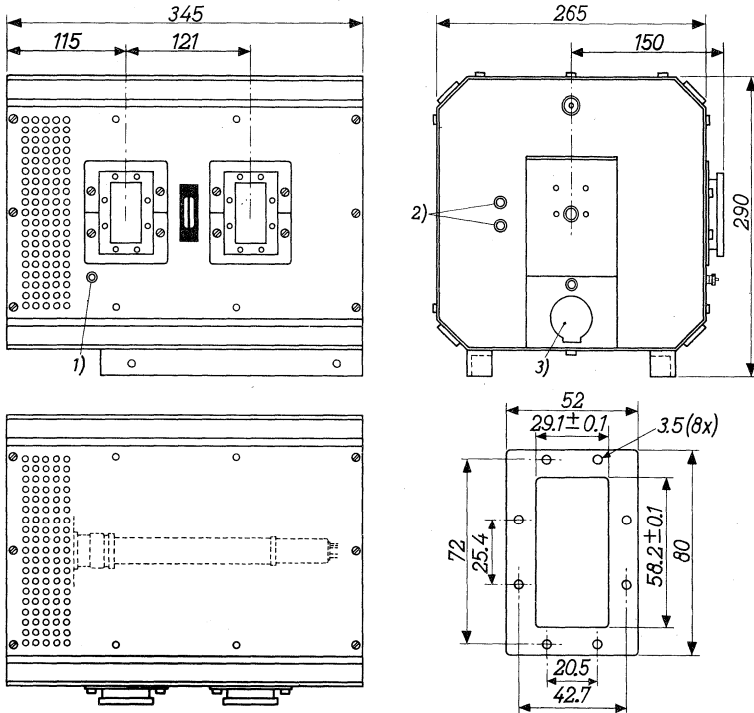
1) Reference point for collector temperature measurement

2) Contact rings

MECHANICAL DATA (continued)

Dimensions in mm

Mount 55309



ATTENTION

Do not apply voltages to the tube when the door is open
 Do not remove any part of the shielding box, nor introduce ferro-magnetic materials into the mount.

NOTE

A socket wrench for the alignment screws is fixed near the fastener on the door.

1) Earth connection

2) Alignment screws

3) Connector to power supply

LIMITING VALUES (Absolute limits)Voltages with respect to cathode

| | | | |
|------------------------------|-------------|---|---------------------------|
| Heater voltage | V_f | = | $6.3 \text{ V} \pm 2\%$ |
| Cathode current | I_k | = | max. 55 mA |
| Accelerator voltage | V_{acc} | = | max. 1500 V |
| Accelerator to helix voltage | V_{acc-x} | = | max. 500 V |
| Accelerator current | I_{acc} | = | max. 0.35 mA |
| Helix voltage | V_x | = | max. 1500 V ¹⁾ |
| Helix current | I_x | = | max. 4 mA |
| Collector voltage | V_{coll} | = | max. 1500 V |
| Collector dissipation | W_{coll} | = | max. 70 W |
| Collector temperature | t_{coll} | = | max. 175 °C ²⁾ |

OPERATING CHARACTERISTICS as power amplifierVoltages with respect to helix

| | | | |
|-------------------------------------|------------|---|-------------------|
| Frequency | f | = | 3.8 to 4.2 GHz |
| Cathode voltage | V_k | = | -1100 V |
| Accelerator voltage | V_{acc} | = | -30 V |
| Accelerator current | I_{acc} | < | 0.35 mA |
| Helix current | I_x | < | 3 mA |
| Collector voltage | V_{coll} | = | +50 V |
| Collector current | I_{coll} | = | 47 to 53 mA |
| Power gain at $f = 4.2 \text{ GHz}$ | | | |
| at $W_o = 100 \text{ mW}$ | G | > | 37 dB |
| at $W_o = 3.0 \text{ W}$ | G | > | 35 dB |
| Voltage standing wave ratio | VSWR | < | 1.5 ³⁾ |
| Noise figure | F | < | 30 dB |

1) The helix is galvanically connected to the mount.

2) For reference point of the collector temperature see note 1) page 2.

3) For input and output. Measured cold, i. e. with beam switched off.
For further particulars see paragraph "Transmission line".

Cooling

The tube is convection cooled by natural air circulation. Under normal operating conditions and at $t_{amb} < 55^{\circ}\text{C}$ no forced air cooling is required to keep the collector temperature below the maximum permissible value of 175°C , provided the tube is mounted horizontally and no obstructions are offered for the air circulation through the ventilation holes in the mount. For less favourable conditions a slight additional air flow will be necessary.

Shielding

Nowhere along the box surface a magnetic field strength of 2000 Oe close to the shielding plates extended over a cross sectional area of 30 cm^2 and directed perpendicular to the box surface, causes a change, worth mentioning, in the focus quality. Several mounts may be placed on top of or next to each other, without mutual disturbance of focusing qualities.

The stray field of the mount, measured at a distance of 1 cm from the box, is in general less than 10 Oe. On a few spots, e.g. near the ventilation holes and the alignment screws this value is exceeded with max. 20 Oe, but then the 10 Oe value is still reached within a distance of 4 cm from the box.

Transmission line

To obtain the full benefit of the broadband characteristics of the tube, the insertion of an isolator between the tube and the prestage and between the tube and the antenna is strongly recommended. The isolators should be positioned as close as possible to the tube. By these provisions phase distortion by long line effects is avoided.

The difference between the reflection coefficients at input and output sides of the cold tube (i.e. without beam) and the warm tube is less than 0.2.

Provided an isolator with a VSWR of less than 1.05 is placed at a short distance (10 to 20 cm) at either side of the tube, the reflections result in a variation of group delay of less than $0.1\text{ }\mu\text{sec}$ over a band of 20 MHz.

Operating instructions

The mount is provided with an alignment device for the proper positioning of the tube with respect to the magnetic field in the mount.

For alignment screws see drawing of the mount.

As the helix current depends on the position of the tube with respect to the magnetic field, special attention must be given to the proper alignment of the tube during the steps c and d of the starting procedure given below. To prevent tube damage it is essential to observe the 4 mA maximum limit on the helix current.

1. Starting procedure

- 1.1 Remove the plug, loosen the fastener and open the door.
- 1.2 Insert the tube into the mount as shown in the drawing of the mount (take care, the tube is subject to magnetic forces). When the tube is blocked by some parts of the mount, a small correction in the position of the tube will be sufficient to avoid the obstacles.
- 1.3 Close the door, lock the fastener and put on the plug.
- 1.4 Switch on the supply voltages in the following sequence (the voltages mentioned below are with respect to the helix, which is normally at ground potential):
 - a. Apply the rated heater voltage for at least 5 minutes.
 - b. Apply +50 V to the collector and -30 V to the accelerator. These voltages may be applied simultaneously.
 - c. Apply the cathode voltage gradually, adjusting the alignment of the tube in order not to exceed 4 mA helix current.
 - d. Apply the H. F. signal to the input of the tube and adjust the alignment of the tube until the helix current reaches a minimum.

2. Switching procedure after interruption of voltages

- 2.1 Interruption less than 1 second. All voltages can be applied simultaneously. The output will reach 95% of the stable end value within 0.2 sec after the application of the voltages.
- 2.2 Interruption 1 sec or more. The voltages must be applied in the following sequence:
 - a. Apply the rated heater voltage for at least 40 seconds.
 - b. Apply +50 V to the collector and -30 V to the accelerator. These voltages may be applied simultaneously.
 - c. Apply the rated cathode voltage. Voltages mentioned under b) and c) can be applied simultaneously.

The H. F. voltage can be applied at any time.

The output will reach 95% of the stable end value within 60 sec after the application of the heater voltage.

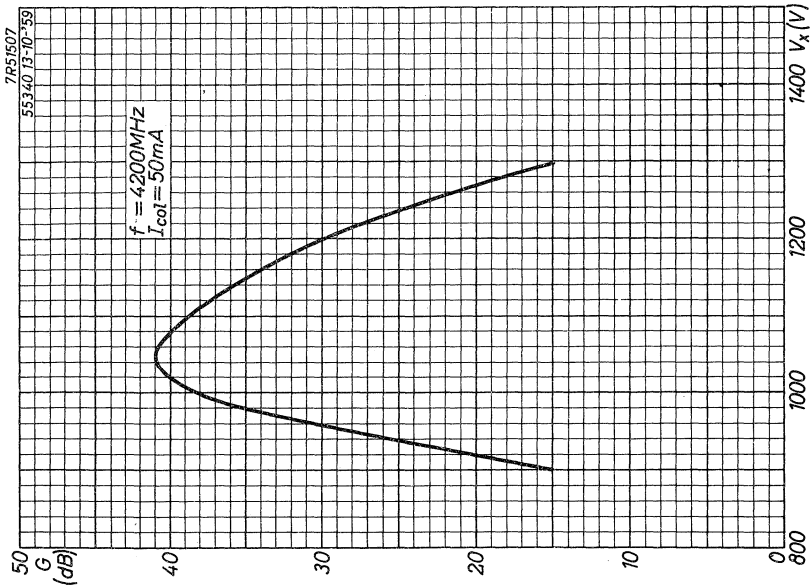
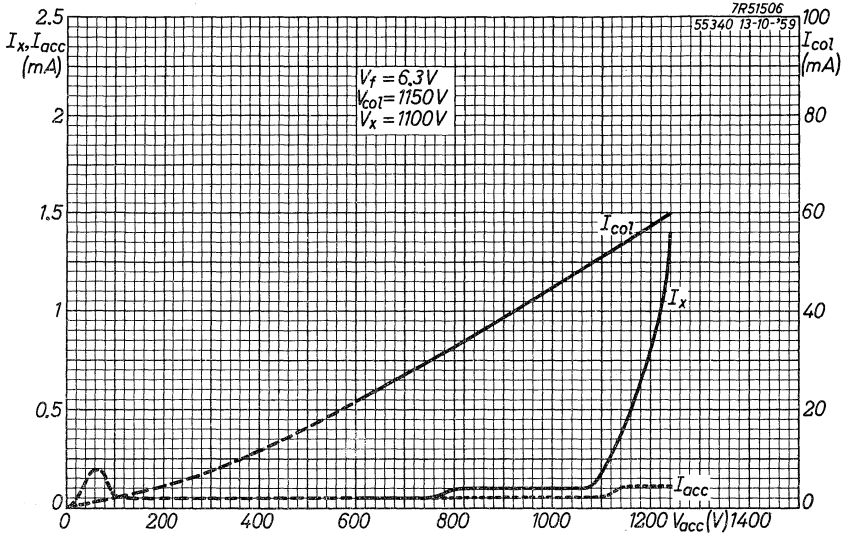
Remark

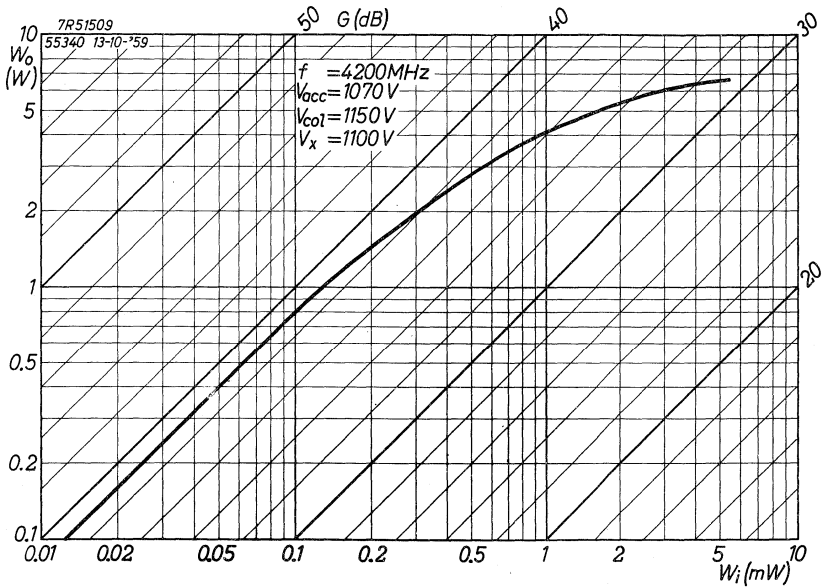
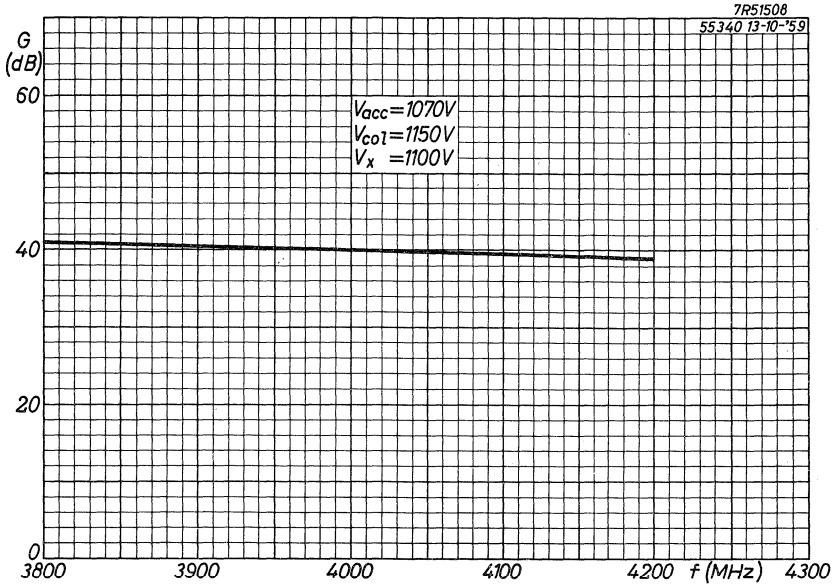
The procedure described under 2.2 can be followed without any risk of disturbing the properties of the tube. It should be noted, however, that normally about 5 minutes cathode heating time is required to obtain completely stable operation of the tube.

3. Switching off procedure

- 3.1 a. Switch off all voltages simultaneously.
b. Remove plug, open the door and pull out the tube.
- 3.2 a. Bring accelerator voltage to helix potential.
b. Switch off the cathode voltage.
c. Switch off the accelerator, collector and heater voltages.
d. Remove plug, open the door and pull out the tube.

The methods 3.1 and 3.2 are optional.





Diodes



DIODES

ABRIDGED SURVEY

| | |
|------------------------------|-----------|
| U.H.F. measuring diode | type EA52 |
| U.H.F. measuring diode | type EA53 |
| High voltage rectifier diode | type 8020 |



MEASURING DIODE

| QUICK REFERENCE DATA | | |
|----------------------|----------------|-------------|
| Frequency | f | 1000 MHz |
| Peak inverse voltage | $V_{d\ inv_p}$ | max. 1000 V |

HEATING : indirect by A.C. or D.C.; series or parallel supply

$$\text{Heater voltage} \quad V_f = 6.3 \text{ V}$$

$$\text{Heater current} \quad I_f = 300 \text{ mA}$$

CAPACITANCE Between anode and cathode $C_d < 0.5 \text{ pF}$

TYPICAL CHARACTERISTICS

$$\text{Heater voltage} \quad V_f = 6.3 \text{ V}$$

$$\text{Diode current} \quad I_d = 0.5 \text{ mA}$$

$$\text{Diode voltage} \quad V_d < 3 \text{ V}$$

LIMITING VALUES (Absolute limits)

Peak inverse voltage

at frequencies lower than 100 MHz

$$V_{d\ inv_p} (f < 100 \text{ MHz}) = \text{max. } 1000 \text{ V}$$

at frequencies higher than 100 MHz

$$V_{d\ inv_p} (f > 100 \text{ MHz}) = \text{max. } \frac{100}{f} \times 1000 \text{ V}^1)$$

Cathode current (heater voltage from

$$5.6 \text{ to } 7.0 \text{ V}) \quad I_k = \text{max. } 0.3 \text{ mA}$$

Peak cathode current (heater voltage

$$\text{from } 5.6 \text{ to } 7.0 \text{ V}) \quad I_{k_p} = \text{max. } 5 \text{ mA}^2)$$

Voltage between heater and cathode

$$V_{kf} = \text{max. } 50 \text{ V}$$

External resistance between heater and cathode

$$R_{kf} = \text{max. } 20 \text{ k}\Omega$$

Heater voltage

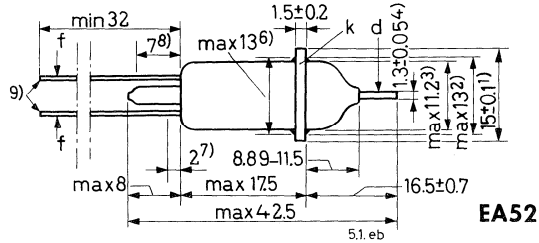
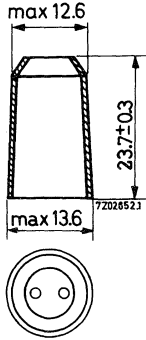
$$V_f = \text{max. } 7.0 \text{ V}$$

$$= \text{min. } 5.6 \text{ V}$$

¹⁾ f in MHz

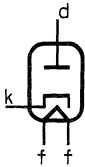
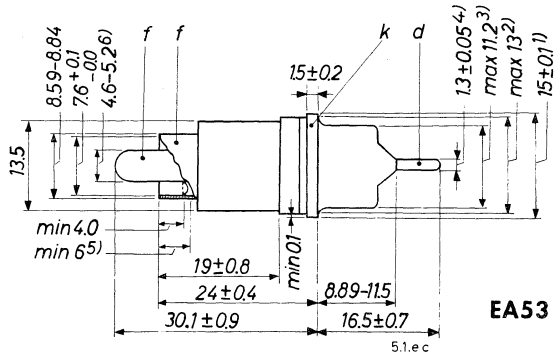
²⁾ For frequencies lower than 100 Hz $I_{k_p} = \text{max. } 0.3 + 0.047f \text{ mA}$ (f in Hz)

Dimensions in mm

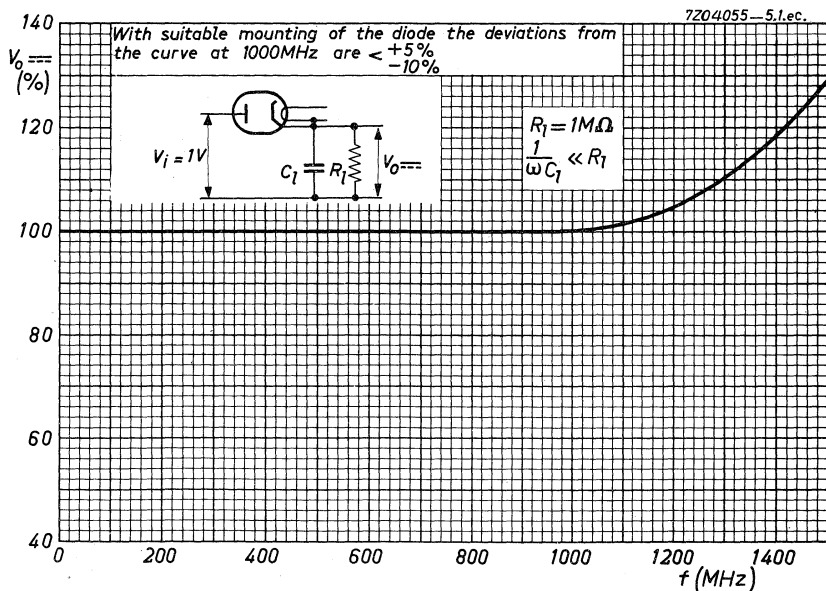
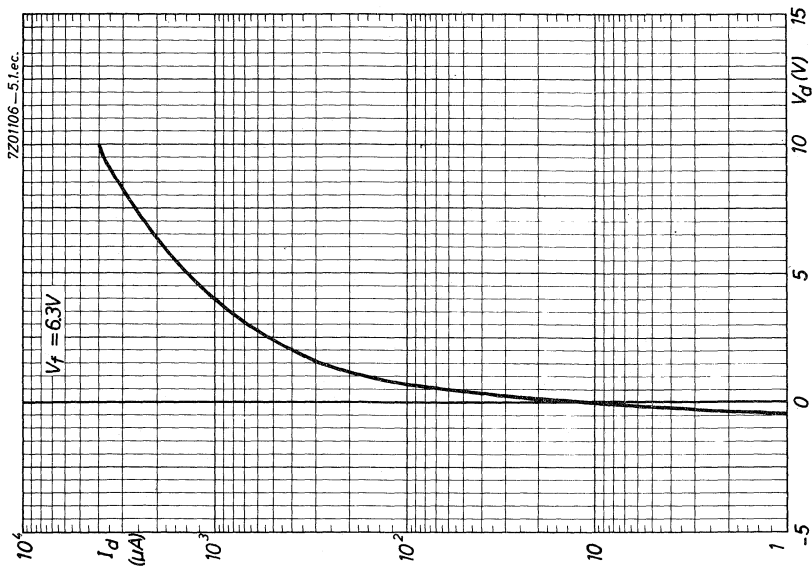


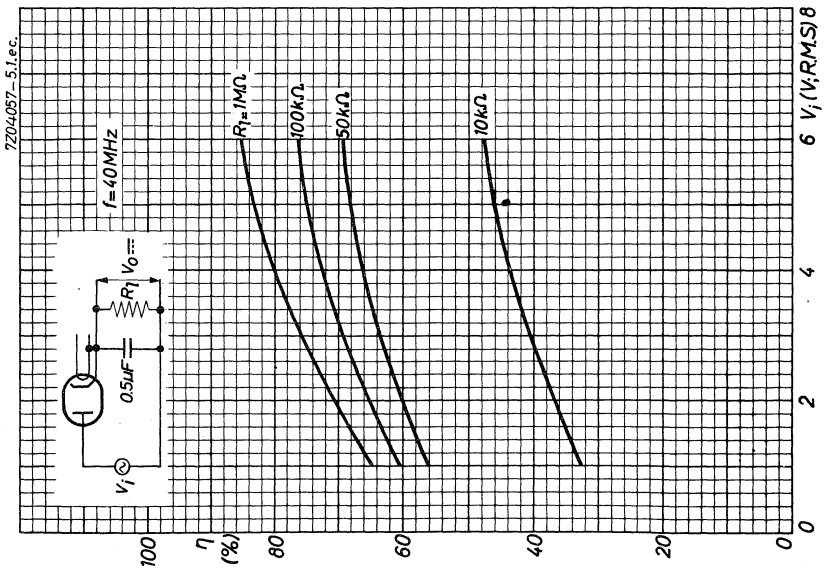
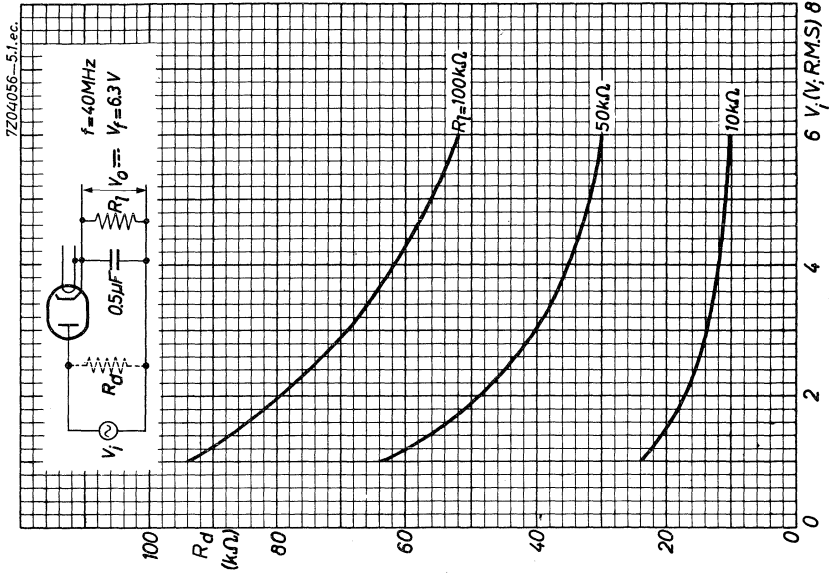
Protective cap for EA52

For protection during transport the EA52 is fitted with a plastic cap which should preferably be removed when the tube is mounted into position. If the cap is not removed, make sure that its temperature does never exceed 100 °C.



- 1) In order to avoid strain, the connection to the cathode disc should be sufficiently flexible.
- 2) Maximum diameter of the glass seal.
- 3) Eccentricity with respect to the cathode disc max. 0.35 mm.
- 4) Eccentricity with respect to the cathode disc max. 0.25 mm.
- 5) This dimension defines the length of the cylindrical section.
- 6) The max. dimension includes the eccentricity.
- 7) This part of the leads should not be bent.
- 8) This part of the leads should not be soldered.
- 9) Gold plated leads, 0.4 mm diameter.





HIGH-VACUUM HIGH-VOLTAGE DIODE

Half-wave vacuum rectifier diode for high voltage rectifying and surge limiting purposes.

| QUICK REFERENCE DATA | | |
|------------------------------------------|------------------------------|--------|
| Tube voltage drop at $I_a = 100$ mA | $V_a =$ | 200 V |
| Peak current at $V_{a_p} = 10$ kV | $I_{a_p} >$ | 2 A |
| Maximum permissible peak inverse voltage | $V_{a_{invp}} = \text{max.}$ | 40 kV |
| Maximum permissible rectified current | $I_a = \text{max.}$ | 100 mA |

APPLICATION

In radar equipment for protection of the modulator circuit and the magnetron against excessive voltages, as high voltage rectifier, charging diode, etc. and in dust precipitation equipment.

HEATING: direct; filament thoriated tungsten

| | | |
|------------------|---------------------|-------------------|
| Filament voltage | $V_f =$ | 5.0 V \pm 5% |
| Filament current | $I_f =$ | 6.0 A \pm 0.5 A |
| Waiting time | $T_w = \text{min.}$ | 5 s |

In surge limiting service the filament voltage may be raised to max. 5.8 V.

CAPACITANCES

| | | |
|----------------------------------------|------------|--------|
| Capacitance between anode and filament | $C_{af} =$ | 1.4 pF |
|----------------------------------------|------------|--------|

TYPICAL CHARACTERISTICS

| | | |
|-------------------------------------|---------|-------|
| Tube voltage drop at $I_a = 100$ mA | $V_a =$ | 200 V |
|-------------------------------------|---------|-------|

OPERATING CHARACTERISTICS as surge limiter

| | | |
|----------------------------|-------------|-------|
| Heater voltage | $V_f =$ | 5.5 V |
| Peak forward anode voltage | $V_{a_p} =$ | 10 kV |
| Peak anode current | $I_{a_p} >$ | 2 A |

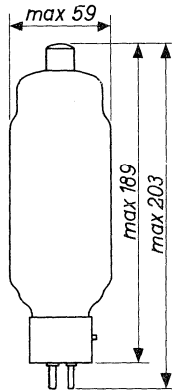
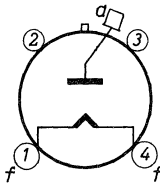
MECHANICAL DATA

Dimensions in mm

Net weight: 90 g

Base: Medium 4p. with bayonet

Cap : Medium



Mounting position: vertical with base down

ACCESSORIES

Anode clip 40619

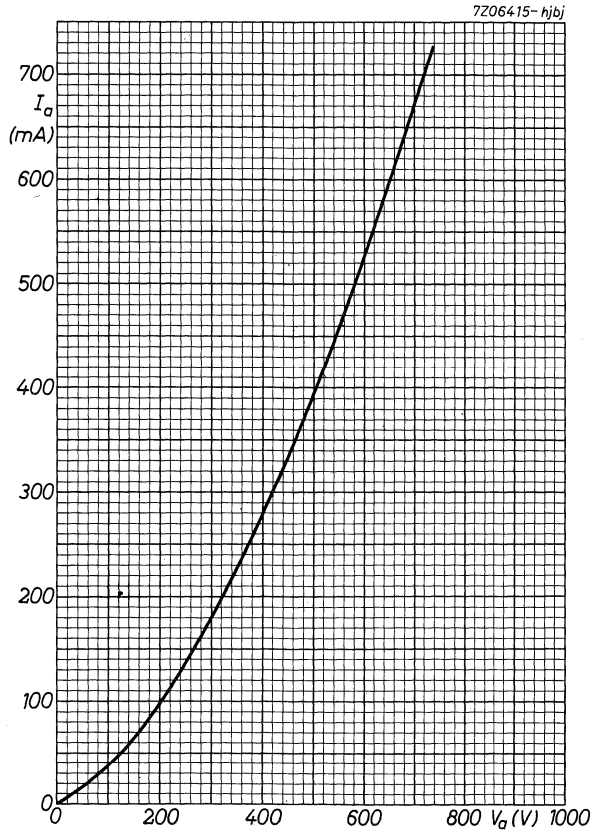
At voltages above 2 kV the socket must be insulated from the chassis.

LIMITING VALUES as surge limiter (Absolute limits)

| | | |
|----------------------------|-------------|----------------|
| Filament voltage | V_f | = max. 5.8 V |
| Peak forward anode voltage | V_{ap} | = max. 12.5 kV |
| Peak inverse anode voltage | V_{ainvp} | = max. 40 kV |
| Anode dissipation | W_a | = max. 75 W |

LIMITING VALUES as rectifier (Absolute limits)

| | | |
|----------------------------|-------------|---------------|
| Peak inverse anode voltage | V_{ainvp} | = max. 40 kV |
| Peak anode current | I_{ap} | = max. 750 mA |
| Average rectified current | I_a | = max. 100 mA |



Triodes

DISC-SEAL TRIODES

ABRIDGED SURVEY

| Frequency range (MHz) | Small signal gain (dB) | Output power (W) | Type |
|-----------------------|------------------------|------------------|--------|
| up to 2500 | - | 16 | YD1050 |
| up to 3000 | - | 0.5 | EC55 |
| up to 3000 | 8 | 8.5 | 2C39A |
| up to 3000 | - | 24 | 7289 |
| up to 3500 | 8 | 6.5 | 2C39BA |
| up to 4200 | 13 | 1.8 | EC157 |
| up to 4200 | 11.5 | 5.3 | EC158 |
| up to 4200 | 13 | 1.8 | 8108 |

PENCIL TRIODES

ABRIDGED SURVEY

| Frequency range | Osc. output power (W) | Type |
|-----------------|-----------------------|---------------|
| U.H.F. | 3 | 5876
5876A |
| U.H.F. | 5 | 5893 |
| U.H.F. | 5 | 6263
6263A |
| U.H.F. | 5 | 6264
6264A |

DISC SEAL TRIODE

| QUICK REFERENCE DATA | | |
|----------------------|-------------|-------------|
| Output power | at 1000 MHz | W_o 3 W |
| | at 2500 MHz | W_o 1 W |
| Mutual conductance | | S 6 mA/V |
| Amplification factor | | μ 30 |
| Construction | | metal-glass |

HEATING: indirect by A.C. or D.C.; parallel supply

$$\text{Heater voltage } V_f = 6.3 \text{ V } \pm 5 \%$$

$$\text{Heater current } I_f = 0.4 \text{ A}$$

CAPACITANCES

$$\text{Anode to all other elements except grid } C_a = 0.03 \text{ pF}$$

$$\text{Grid to all other elements except anode } C_g = 1.8 \text{ pF}$$

$$\text{Anode to grid } C_{ag} < 1.3 \text{ pF}$$

TYPICAL CHARACTERISTICS

$$\text{Anode voltage } V_a = 250 \text{ V}$$

$$\text{Grid voltage } V_g = -3.5 \text{ V}$$

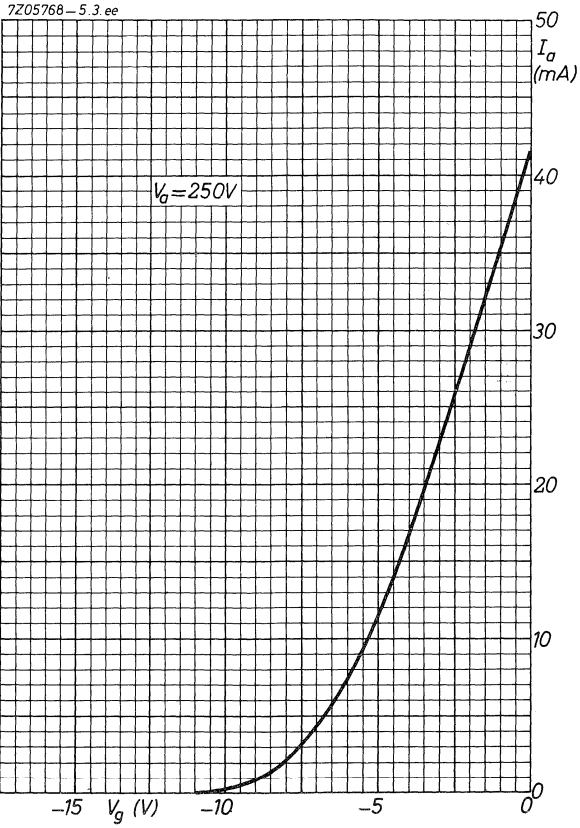
$$\text{Anode current } I_a = 20 \text{ mA}$$

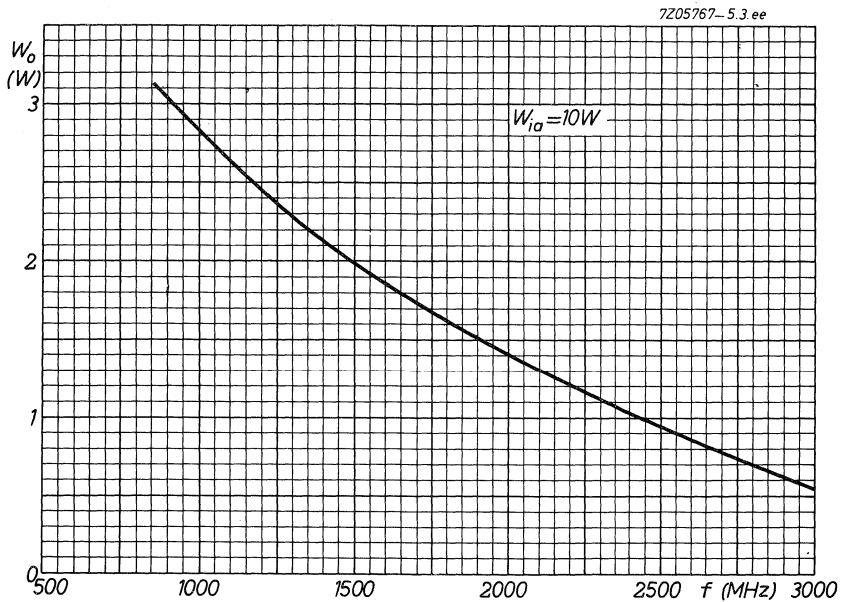
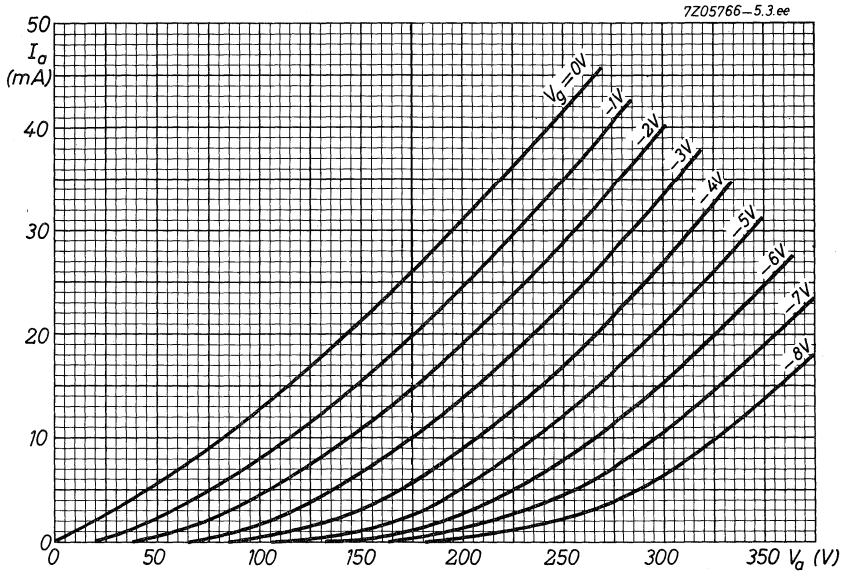
$$\text{Mutual conductance } S = 6 \text{ mA/V}$$

$$\text{Amplification factor } \mu = 30$$

LIMITING VALUES (Absolute limits)

| | | | |
|------------------------|--------|---|-------------|
| Anode voltage | V_a | = | max. 350 V |
| Anode dissipation | W_a | = | max. 10 W |
| Grid dissipation | W_g | = | max. 0.1 W |
| Cathode current | I_k | = | max. 40 mA |
| Negative grid voltage | $-V_g$ | = | max. 50 V |
| Anode seal temperature | | = | max. 140 °C |





DISC SEAL TRIODE

Disc seal triode for use as power amplifier, oscillator or frequency multiplier in microwave applications up to 4.2 GHz.

| QUICK REFERENCE DATA | |
|---------------------------------------------------------|---------------|
| Output power at $f = 4$ GHz, $B = 50$ MHz
$G = 8$ dB | $W_o = 1.8$ W |
| Low level gain at $f = 4$ GHz, $B = 50$ MHz | $G = 13$ dB |
| Mutual conductance | $S = 21$ mA/V |
| Amplification factor | $\mu = 43$ |
| Construction | metal-glass |

HEATING: Indirect by A.C. or D.C.; parallel supply. Dispenser type cathode.

Heater voltage $V_f = 6.3$ V $\pm 2\%$

Heater current $I_f = 750$ mA

With due observance of the limiting values all supply voltages may be switched on at the same time and no preheating will be necessary.

CAPACITANCES ($V_f = 6.3$ V; $I_k = 0$)

Anode to grid $C_{ag} = 1.4$ pF ¹⁾

Anode to cathode $C_{ak} = 0.035$ pF

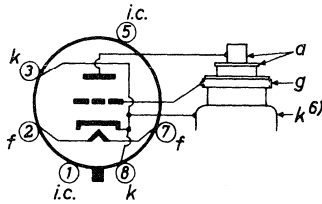
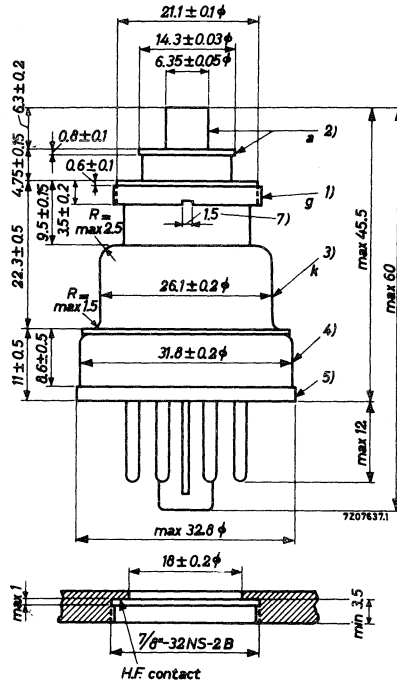
Grid to cathode $C_{gk} = 3.0$ pF ²⁾

¹⁾ Measured with a shield of 1 mm thickness and with a hole of 15 mm diameter

²⁾ Measured with a shield of 1 mm thickness and with a hole of 23 mm diameter

MECHANICAL DATA
Dimensions in mm

Fig. 1



Base : octal

Mounting position : any

Fig. 2

Recommended mount

Data of the thread of the grid disc and of the recommended mount, 32 turns per inch, thread angle 60°

| | Minor diameter | Major diameter | Effective diameter |
|-----------------|----------------------|---------------------|----------------------|
| Grid disc | 21.22 +0
-0.15 mm | 22.2 +0
-0.15 mm | 21.68 +0
-0.09 mm |
| mount.
fig.2 | 21.51 +0
-0.15 mm | min. 22.23 mm | 21.83 +0
-0.12 mm |

1)2)3)4)5)6)7) See page 3.

For screwing the tube into the cavity a key with a slip torque of max. 25 cm kg ought to be used. This should be a key with studs which fit into the notches in the tube base. One should never use a device which utilises the pins of the tube.

SHOCK AND VIBRATION

The tube can withstand:

Vibrations: 2.5 g peak, 25 Hz in all directions.

Shocks : 25 g peak, 10 msec in all directions.

The above environmental conditions are test conditions, which however should not be interpreted as continuous operating conditions.

TYPICAL CHARACTERISTICS

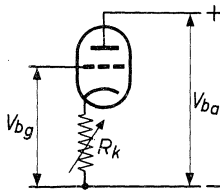
| | | | |
|-----------------------|----------|------|--------------------------------------------------|
| Anode voltage | $V_a =$ | 180 | 180 V |
| Anode current | $I_a =$ | 60 | 30 mA |
| Negative grid voltage | $-V_g =$ | 1.25 | $\begin{matrix} > 0 \\ < 2,5 \end{matrix}$ 2.8 V |
| Mutual conductance | $S =$ | 21 | > 15 18 mA/V |
| Amplification factor | $\mu =$ | 43 | $\begin{matrix} > 33 \\ < 52 \end{matrix}$ 43 |

- 1) The eccentricities are given with respect to the axis of the threaded hole of the recommended mount (see fig. 2) in which the tube is screwed firmly against the flange.
- 2) Eccentricity of the axis of the anode max. 0.15 mm.
- 3) Eccentricity of the axis of the cathode max. 0.20 mm.
- 4) The tolerance of the eccentricity of the axis of the base is such, that this base fits into a hole with a diameter of 32.5 mm., provided this hole is correctly centred with respect to the axis of the threaded hole of the recommended mount of fig.2.
- 5) The tolerance of the eccentricity of the axis of the base flange is such, that this flange fits into a hole with a diameter of 33.5 mm., provided this hole is correctly centred with respect to the axis of the threaded hole of the recommended mount of fig.2.
- 6) H.F. and D.C. connections of the cathode. Pins 3 and 8 are connected internally to this terminal.
- 7) Two identical slots opposite each other facilitate the removal of the grid/anode part of the tube from the cavity in case of glass breakage.

OPERATING CHARACTERISTICS as power amplifier

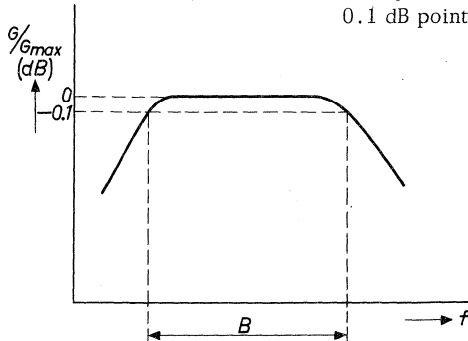
| | | | | |
|----------------------|---------------------------------------------------------------------------------------------|------------------|------------------|----------------|
| Frequency | $f =$ | 4 | 4 | GHz |
| Anode supply voltage | $V_{ba} =$ | 200 | 200 | V |
| Anode current | $I_a =$ | 60 | 30 | mA |
| Grid supply voltage | $V_{bg} =$ | +20 | +20 | V |
| Cathode resistor | $R_k =$ | 1) | 1) | |
| Bandwidth | $B =$ | 50 ²⁾ | 50 ²⁾ | MHz |
| Output power | $\left\{ \begin{array}{l} G = 8 \text{ dB} \\ V_f = 6.3 \text{ V} \end{array} \right.$ | $W_o = 1.8$ | > 1.5 | - W |
| Output power | $\left\{ \begin{array}{l} G = 6 \text{ dB} \\ V_f = 6.3 \text{ V} \end{array} \right.$ | $W_o =$ | - | 0.5 > 0.35 W |
| Low level gain | $\left\{ \begin{array}{l} W_{dr} = 1 \text{ mW} \\ V_f = 6.3 \text{ V} \end{array} \right.$ | $G =$ | 13 > 10 | 13 > 10 dB |

1) Recommended D.C. circuit



A variable resistor of max. 500 Ω ($I_a = 60 \text{ mA}$) or max. 1000 Ω ($I_a = 30 \text{ mA}$) is to be employed. It should be adjusted for the desired anode current.

2)



The quoted value is the bandwidth between the 0.1 dB points of the flattened response curve.

LIMITING VALUES (Absolute limits)

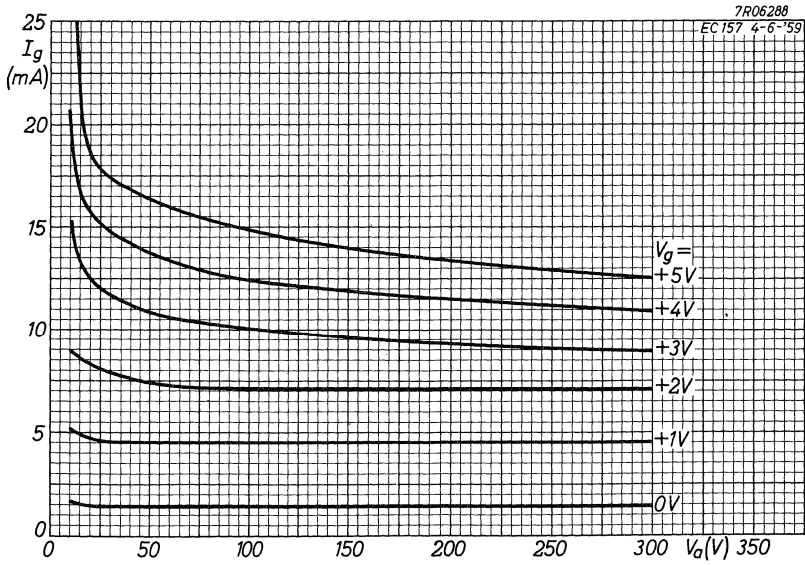
| | | | |
|--------------------------------------|-----------|--------|------------------------------------------------|
| Anode voltage in cold condition | V_{a0} | = max. | 500 V |
| Anode voltage | V_a | = max. | 300 V |
| Anode dissipation | W_a | = max. | 12.5 W |
| Negative grid voltage | $-V_g$ | = max. | 50 V |
| Peak negative grid voltage | $-V_{gp}$ | = max. | 100 V |
| Positive grid voltage | $+V_g$ | = max. | 5 V |
| Peak positive grid voltage | $+V_{gp}$ | = max. | 20 V |
| Driving power | W_{dr} | = max. | 1 W ¹⁾ |
| Grid dissipation | W_g | = max. | 200 mW |
| Grid current | I_g | = max. | 10 mA |
| Grid circuit resistance | R_g | = max. | 3 k Ω ²⁾ |
| Cathode current | I_k | = max. | 70 mA |
| Cathode to heater voltage | V_{kf} | = max. | 50 V |
| Cathode to heater circuit resistance | R_{kf} | = max. | 20 k Ω |
| Heater voltage | V_f | = | 6.3 V \pm 2 % |
| Seal temperatures: | anode | t_a | = max. 150 $^{\circ}\text{C}$ ³⁾ 4) |
| | grid | t_g | = max. 100 $^{\circ}\text{C}$ ³⁾ 4) |
| | cathode | t_k | = max. 100 $^{\circ}\text{C}$ ³⁾ 4) |
| Mounting torque | | = min. | 20 cm kg |
| | | = max. | 25 cm kg |

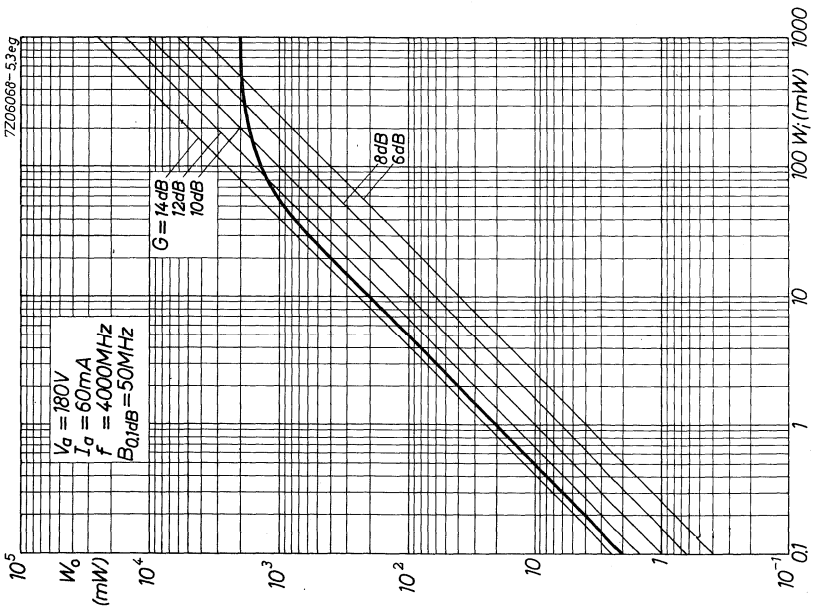
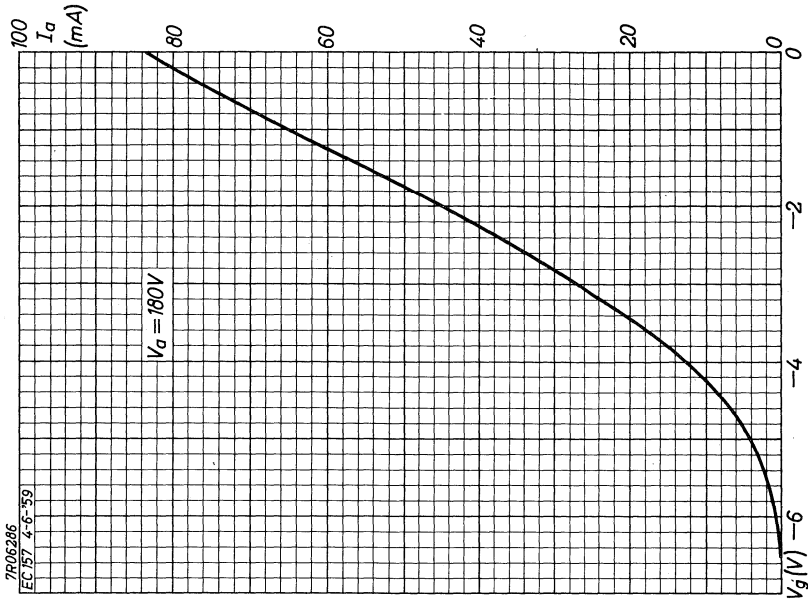
¹⁾ In grounded grid circuits at a frequency of 4 GHz.

²⁾ This value may be multiplied by the D.C. inverse feedback factor for the cathode current to a maximum of 25 k Ω .

³⁾ A low-velocity air flow may be required.

⁴⁾ To be measured with a temperature sensitive paint e.g. Tempilaq.





DISC SEAL TRIODE

Disc seal triode for use as power amplifier, oscillator or frequency multiplier in microwave applications up to 4.2 GHz

| QUICK REFERENCE DATA | |
|-----------------------------------------------------------|---------------|
| Output power at $f = 4.2$ GHz, $B = 50$ MHz
$G = 6$ dB | $W_o = 5.3$ W |
| Low level gain at $f = 4.2$ GHz, $B = 50$ MHz | $G = 11.5$ dB |
| Mutual conductance | $S = 28$ mA/V |
| Amplification factor | $\mu = 30$ |
| Construction | metal-glass |

HEATING: Indirect by A.C. or D.C.; parallel supply. Dispenser type cathode.

| | |
|----------------|-------------------------|
| Heater voltage | $V_f = 6.3$ V $\pm 2\%$ |
| Heater current | $I_f = 900$ mA |

With due observance of the limiting values all supply voltages may be switched on at the same time and no preheating will be necessary.

CAPACITANCES ($V_f = 6.3$ V; $I_k = 0$)

| | |
|------------------|---------------------------------|
| Anode to grid | $C_{ag} = 1.7$ pF ¹⁾ |
| Anode to cathode | $C_{ak} = 0.036$ pF |
| Grid to cathode | $C_{gk} = 3.5$ pF ²⁾ |

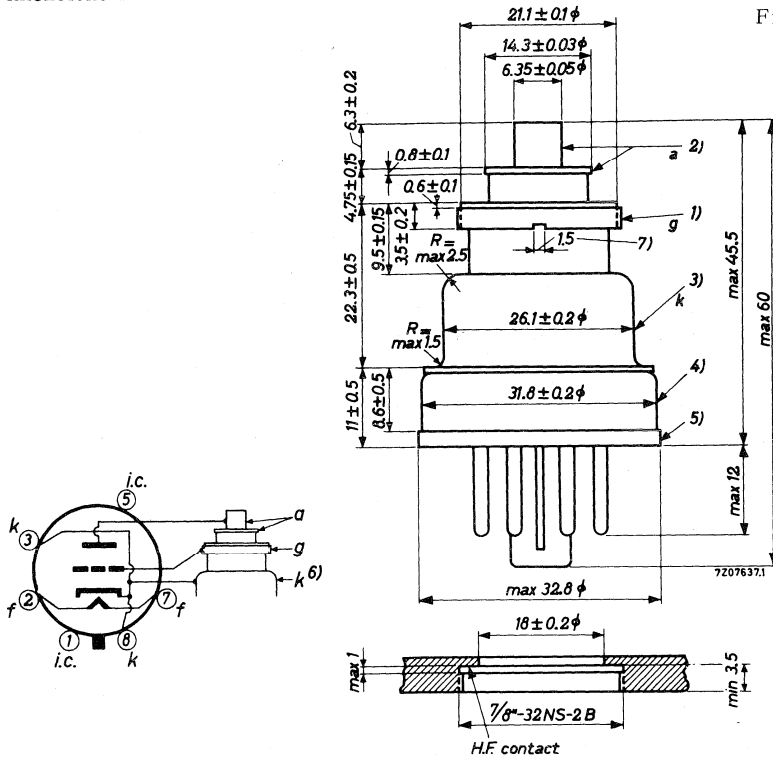
¹⁾ Measured with a shield of 1 mm thickness and with a hole of 15 mm diameter

²⁾ Measured with a shield of 1 mm thickness and with a hole of 23 mm diameter

MECHANICAL DATA

Dimensions in mm

Fig. 1



Base : octal

Mounting position : any

Fig. 2

Recommended mount

Data of the thread of the grid disc and of the recommended mount, 32 turns per inch, thread angle 60°

| | Minor diameter | Major diameter | Effective diameter |
|--------------|----------------------------------------------------|---------------------------------------------------|----------------------------------------------------|
| Grid disc | 21.22 $\begin{matrix} +0 \\ -0.15 \end{matrix}$ mm | 22.2 $\begin{matrix} +0 \\ -0.15 \end{matrix}$ mm | 21.68 $\begin{matrix} +0 \\ -0.09 \end{matrix}$ mm |
| mount. fig.2 | 21.51 $\begin{matrix} +0 \\ -0.15 \end{matrix}$ mm | min. 22.23 mm | 21.83 $\begin{matrix} +0 \\ -0.12 \end{matrix}$ mm |

1)2)3)4)5)6)7) See page 3.

For screwing the tube into the cavity a key with a slip torque of max. 25 cm kg ought to be used. This should be a key with studs which fit into the notches in the tube base. One should never use a device which utilises the pins of the tube.

SHOCK AND VIBRATION

The tube can withstand:

Vibrations: 2.5 g peak, 25 Hz in all directions.

Shocks : 25 g peak, 10 msec in all directions.

The above environmental conditions are test conditions, which however should not be interpreted as continuous operating conditions.

TYPICAL CHARACTERISTICS

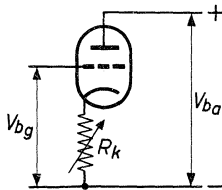
| | | | | |
|----------------------|-------|---|-----------------|----------------------------|
| Anode voltage | V_a | = | 180 | 180 V |
| Anode current | I_a | = | 140 | 60 mA |
| Grid voltage | V_g | = | 0 | > -2.0
< +1.5
-3.5 V |
| Mutual conductance | S | = | 28 > 18 | 22 mA/V |
| Amplification factor | μ | = | 30 > 20
< 40 | 30 |

- 1) The eccentricities are given with respect to the axis of the threaded hole of the recommended mount (see fig. 2) in which the tube is screwed firmly against the flange.
- 2) Eccentricity of the axis of the anode max. 0.15 mm.
- 3) Eccentricity of the axis of the cathode max. 0.20 mm.
- 4) The tolerance of the eccentricity of the axis of the base is such, that this base fits into a hole with a diameter of 32.5 mm., provided this hole is correctly centred with respect to the axis of the threaded hole of the recommended mount of fig.2.
- 5) The tolerance of the eccentricity of the axis of the base flange is such, that this flange fits into a hole with a diameter of 33.5 mm., provided this hole is correctly centred with respect to the axis of the threaded hole of the recommended mount of fig.2.
- 6) H.F. and D.C. connections of the cathode. Pins 3 and 8 are connected internally to this terminal.
- 7) Two identical slots opposite each other facilitate the removal of the grid/anode part of the tube from the cavity in the case of glass breakage.

OPERATING CHARACTERISTICS as power amplifier

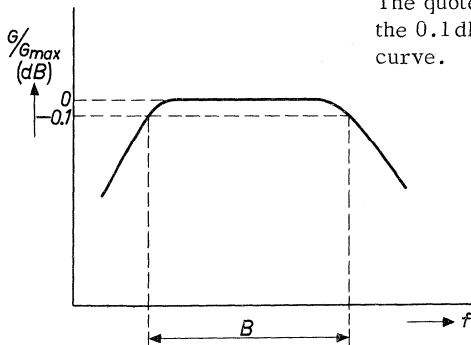
| | | |
|------------------------------------|----------------|---------|
| Frequency | $f = 4$ | GHz |
| Anode supply voltage | $V_{ba} = 200$ | V |
| Grid supply voltage | $V_{bg} = +20$ | V |
| Anode current | $I_a = 140$ | mA |
| Cathode resistor | $R_k = 1)$ | |
| Bandwidth | $B = 50$ | 2) MHz |
| Output power ($G = 6$ dB) | $W_o = 5.3$ | >4.5 W |
| Low level gain ($W_{dF} = 10$ mW) | $G = 11.5$ | >9.5 dB |

1) Recommended D.C. circuit



A variable resistor of max. 200 Ω is to be employed. It should be adjusted for the desired anode current.

2)



The quoted value is the bandwidth between the 0.1 dB points of the flattened response curve.

LIMITING VALUES (Absolute limits)

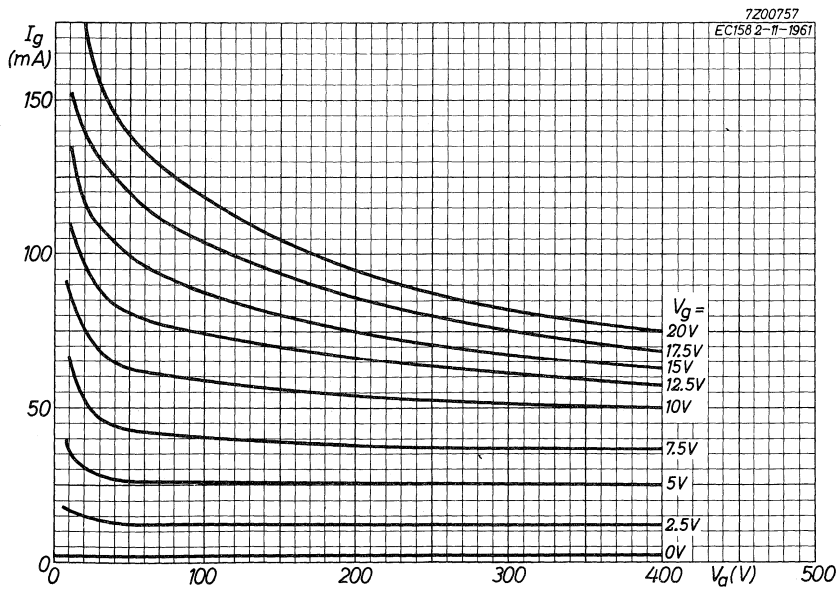
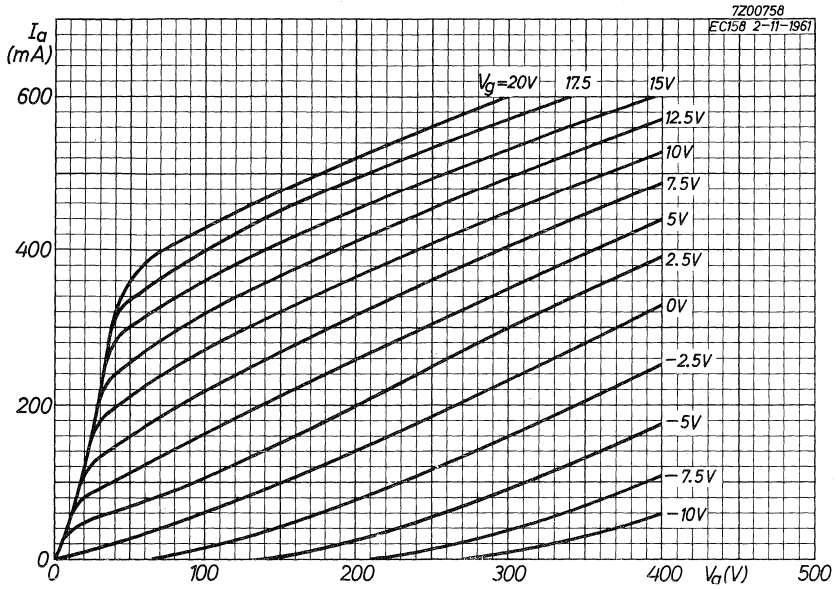
| | | | | | |
|--------------------------------------|---------|------------|--------|-----|------------------------------------|
| Anode voltage in cold condition | | V_{a_0} | = max. | 500 | V |
| Anode voltage | | V_a | = max. | 300 | V |
| Anode dissipation | | W_a | = max. | 30 | W ¹⁾ |
| Negative grid voltage | | $-V_g$ | = max. | 50 | V |
| Peak negative grid voltage | | $-V_{g_p}$ | = max. | 100 | V |
| Positive grid voltage | | $+V_g$ | = max. | 10 | V |
| Peak positive grid voltage | | $+V_{g_p}$ | = max. | 30 | V |
| Driving power | | W_{dr} | = max. | 2.0 | W ²⁾ |
| Grid dissipation | | W_g | = max. | 350 | mW |
| Grid current | | I_g | = max. | 25 | mA |
| Grid circuit resistance | | R_g | = max. | 3 | k Ω ³⁾ |
| Cathode current | | I_k | = max. | 170 | mA |
| Cathode to heater voltage | | V_{kf} | = max. | 50 | V |
| Cathode to heater circuit resistance | | R_{kf} | = max. | 20 | k Ω |
| Heater voltage | | V_f | = | 6.3 | V \pm 2% |
| Seal temperatures: | anode | t_a | = max. | 150 | $^{\circ}\text{C}$ ¹⁾⁴⁾ |
| | grid | t_g | = max. | 100 | $^{\circ}\text{C}$ ¹⁾⁴⁾ |
| | cathode | t_k | = max. | 100 | $^{\circ}\text{C}$ ¹⁾⁴⁾ |
| Mounting torque | | | = min. | 20 | cm kg |
| | | | = max. | 25 | cm kg |

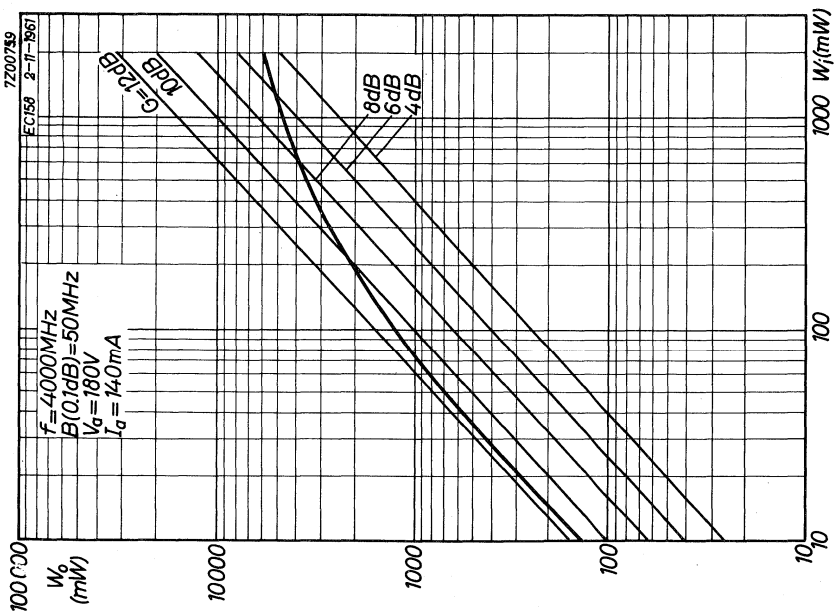
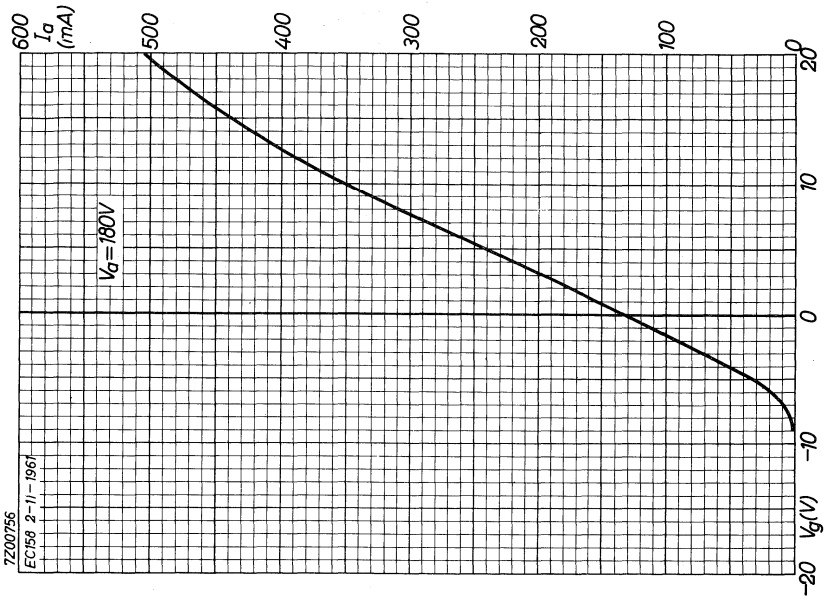
1) Special attention must be paid to the cooling.

2) In grounded grid circuits at a frequency of 4 GHz.

3) This value may be multiplied by the D.C. inverse feedback factor for the cathode current to a maximum of 25 k Ω .

4) To be measured with a temperature sensitive paint e.g. Tempilaq.





DISC SEAL TRIODE

Air cooled disc seal power triode of metal-ceramic construction intended for use as oscillator, mixer, frequency multiplier and amplifier.

| QUICK REFERENCE DATA | | | |
|--------------------------------|-------|----|---------------|
| Output power at $f = 2500$ MHz | W_o | 16 | W |
| Output power at $f = 500$ MHz | W_o | 26 | W |
| Transconductance | S | 27 | mA/V |
| Amplification factor | μ | 60 | |
| Construction | | | metal-ceramic |

HEATING: Indirect by A.C. or D.C., parallel supply.

| | | | | |
|----------------|-------|-------------|---|-----|
| Heater voltage | V_f | 6.0 | V | 1) |
| Heater current | I_f | 0.9 to 1.05 | A | |
| Waiting time | T_w | min. | 1 | min |

CAPACITANCES

| | | | | |
|------------------|----------|--------|-------|----|
| Anode to cathode | C_{ak} | < | 0.045 | pF |
| Anode to grid | C_{ag} | 2.2 to | 2.5 | pF |
| Grid to cathode | C_{gk} | 6.3 to | 7.0 | pF |

TYPICAL CHARACTERISTICS

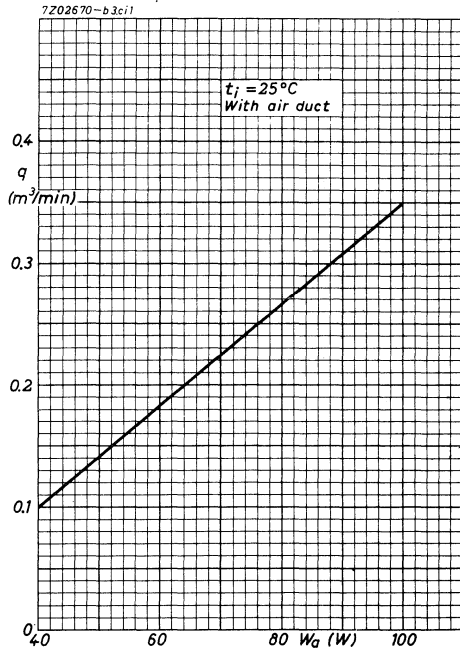
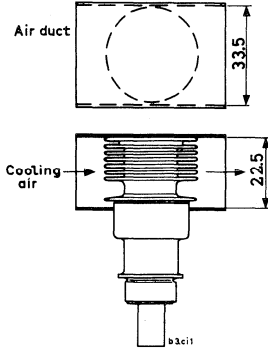
| | | min. | nom. | max. | |
|----------------------|-------|------|------|------|----------|
| Anode voltage | V_a | | 500 | | V |
| Cathode resistor | R_k | | 30 | | Ω |
| Anode current | I_a | 83 | 100 | 125 | mA |
| Transconductance | S | 22 | 27 | 32 | mA/V |
| Amplification factor | μ | | 60 | | |

1) The heater voltage should be reduced to a value depending on the cathode current and frequency. See curve page 5. The maximum fluctuation should not exceed $\pm 5\%$.

Data based on pre-production tubes.

COOLING

At maximum anode dissipation, an air duct of the dimensions indicated below being used and the inlet temperature being 25 °C, an air flow of approx. 350 l/min should be directed at the radiator. If necessary, the other surfaces should be cooled as well with a low-velocity air flow. As the ventilation system has to be adapted to the particular transmitter in which the tube will be used, it cannot be furnished as an accessory.

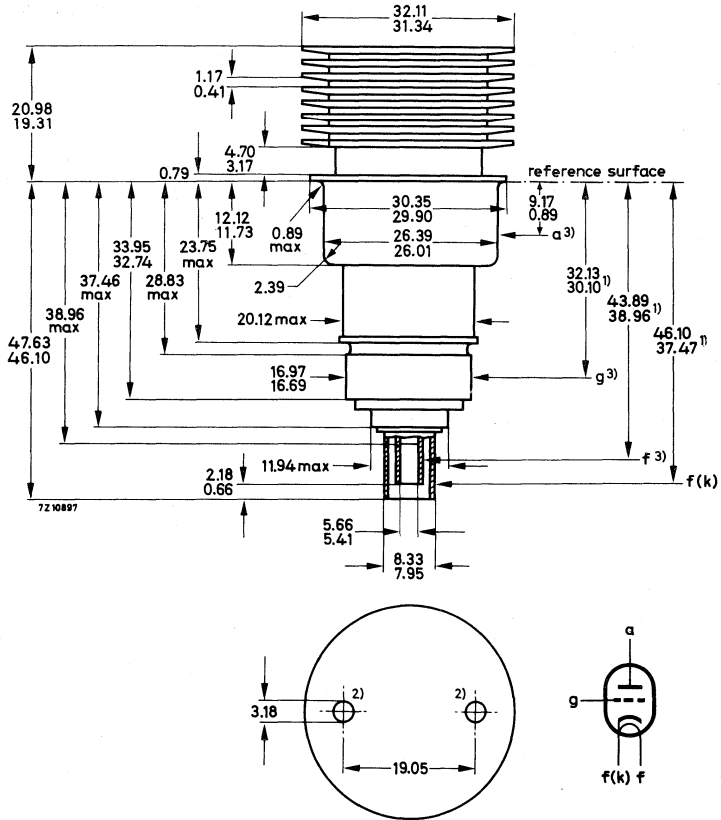


LIFE EXPECTANCY

The life of the tube depends on the operating conditions and particularly on the tube temperature and the anode voltage. It is therefore recommended that the tube output required be attained with the lowest possible anode voltage, and that the tube temperature be kept as low as possible by adequate cooling.

MECHANICAL DATA

Dimensions in mm
The mm dimensions are derived from the original inch dimensions.



Mounting position: any
Net weight: approx. 70 g

- 1) Electrode contact areas
 - 2) Holes for tube extractor in top fin only.
 - 3) Eccentricity of contact surfaces: Reference: Cathode
- | | |
|--------|-----------------|
| Anode | TIR max. 0.5 mm |
| Grid | TIR max. 0.5 mm |
| Heater | TIR max. 0.3 mm |

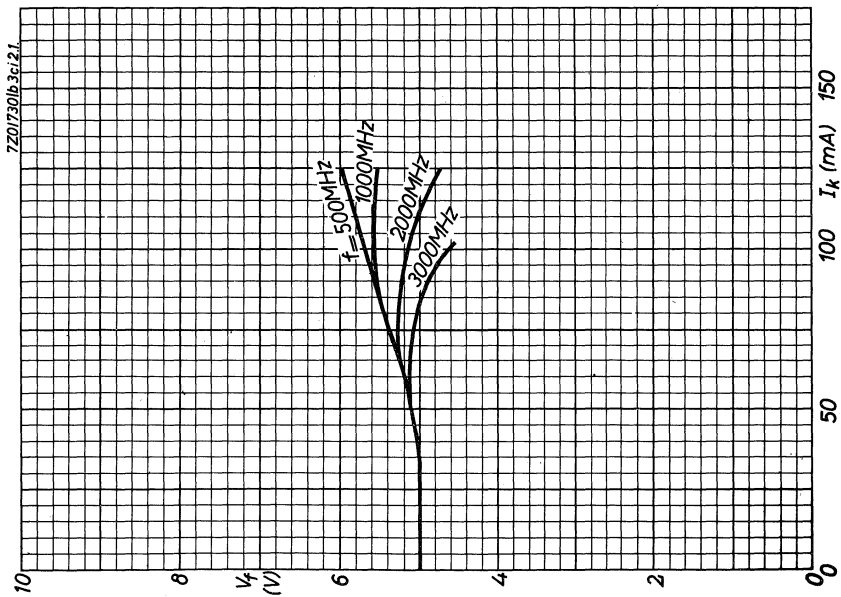
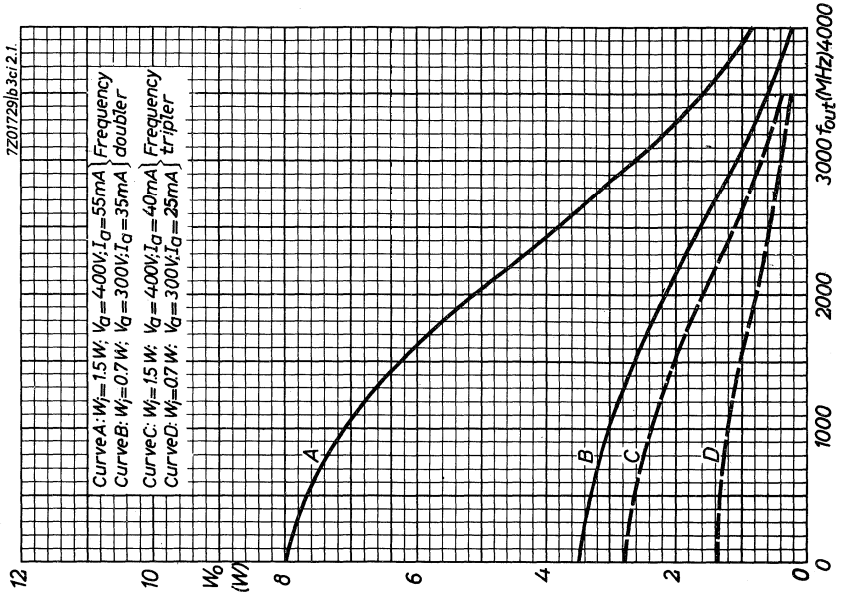
LIMITING VALUES (Absolute max. rating system)

| | | | | |
|--------------------------------|-----------|-------|------|-----|
| Frequency | f | up to | 2500 | MHz |
| Anode voltage (unmodulated) | V_a | max. | 1000 | V |
| Anode voltage (100% modulated) | V_a | max. | 800 | V |
| Anode dissipation | W_a | max. | 100 | W |
| Grid voltage negative | $-V_g$ | max. | 150 | V |
| negative peak | $-V_{gp}$ | max. | 400 | V |
| positive peak | V_{gp} | max. | 25 | V |
| Grid current | I_g | max. | 50 | mA |
| Grid dissipation | W_g | max. | 2 | W |
| Cathode current | I_k | max. | 125 | mA |
| Envelope temperature | t_{env} | max. | 250 | °C |

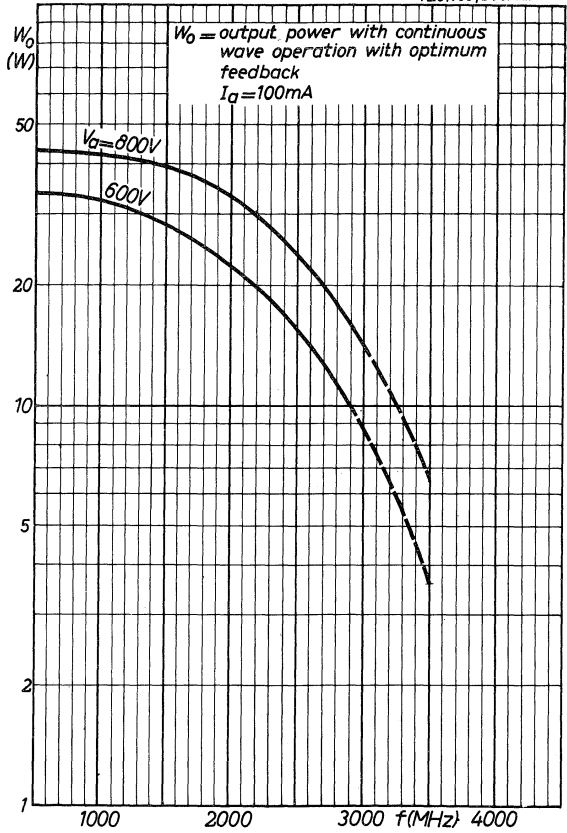
OPERATING CHARACTERISTICS

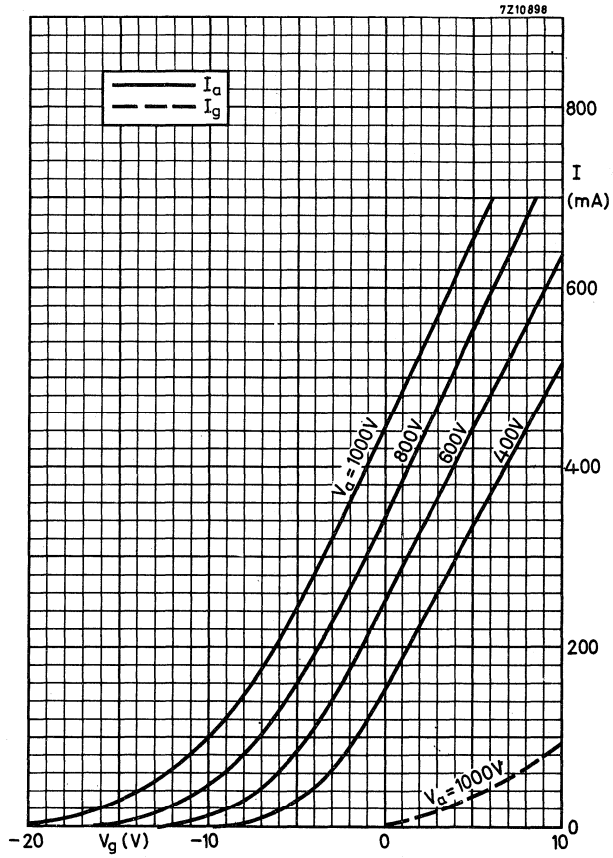
C.W. Oscillator

| | | | | |
|----------------|-------|-----|------|-----|
| Frequency | f | 500 | 2500 | MHz |
| Heater voltage | V_f | 5.8 | 4.8 | V |
| Anode voltage | V_a | 600 | 600 | V |
| Anode current | I_a | 80 | 100 | mA |
| Grid current | I_g | 25 | 6 | mA |
| Output power | W_o | 26 | 16 | W |

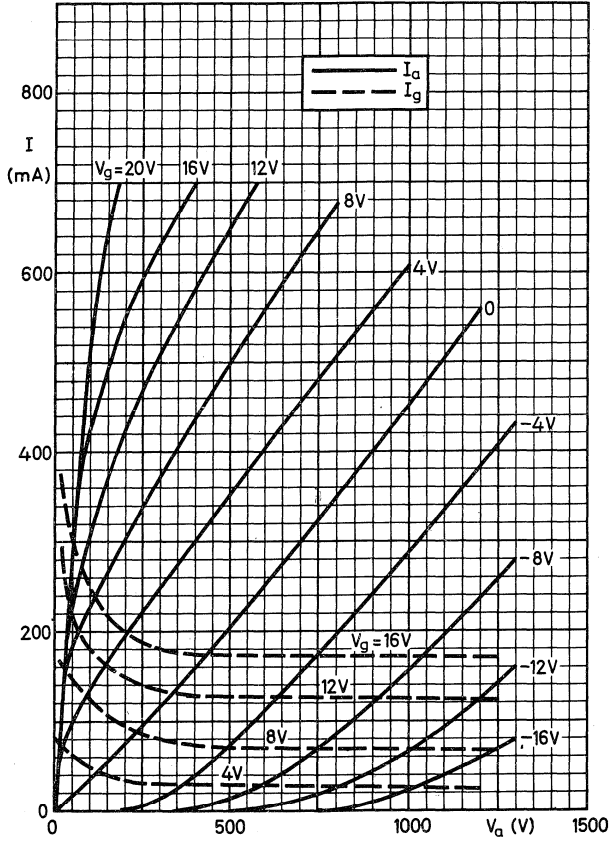


7Z01733|b3ci21.





7210899



DISC SEAL TRIODE

Air cooled disc seal triode of metal-glass design, for use as oscillator, modulator, mixer, amplifier and frequency multiplier up to 3000 MHz.

| QUICK REFERENCE DATA | | |
|--------------------------|-------|-------------|
| Output power at 2500 MHz | W_o | = 18 W |
| Mutual conductance | S | = 25 mA/V |
| Amplification factor | μ | = 100 |
| Construction | | metal-glass |

HEATING

Indirect by A.C. or D.C.; parallel supply

Heater voltage V_f = 6.3 V

Heater current I_f = 0.95 to 1.1 A

Waiting time T_w = min. 1 min

Remarks

1. In the interest of long tube life, the heater voltage should be matched to the required cathode current. Under dynamic operation, the back heating of the cathode which occurs at frequencies in the region of transit time must be compensated for by a reduction of heater voltage. Standard values should be taken from the curves on page 8. The maximum heater voltage fluctuation should not exceed $\pm 5\%$.
2. For pulsed operation, 6.3 V is normally required for preheating. For C.W. operation preheating should be effected at the voltage indicated by the curve for $f = 500$ MHz on page 8. In the case of power off periods of up to 5 sec or C.W. operation with $V_a = \text{max. } 300$ V and $I_k = \text{max. } 30$ mA, preheating is not necessary.

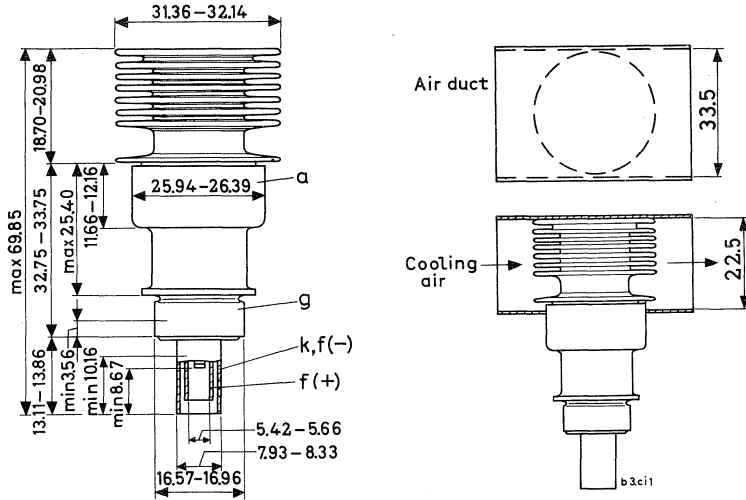
CAPACITANCES

| | | | |
|-----------------------------------------------|-----------------|-----------|----|
| Anode to grid | $C_{ag} > 1.86$ | < 2.16 | pF |
| Anode to cathode | C_{ak} | < 0.035 | pF |
| Grid to cathode | $C_{gk} > 5.6$ | < 7.6 | pF |
| Anode to cathode ($V_f = 6.3$ V; $I_k = 0$) | C_{ak} | < 0.045 | pF |
| Grid to cathode ($V_f = 6.3$ V; $I_k = 0$) | C_{gk} | < 8.8 | pF |

MECHANICAL DATA

Dimensions in mm

Net weight: 75 g



The eccentricity of the contact surfaces is max. 0.5 mm

Mounting position: any

Mounting: where possible, the tube should be mounted in the coaxial resonators with the aid of adequately resilient spring contacts.

COOLING

For maximum anode dissipation and assuming the use of an air duct of the dimensions indicated, an air flow of approx. 350 l/min is required for cooling the radiator in case of an inlet temperature of 25 °C. If necessary, the other surfaces should be cooled as well with a low-velocity air flow. As the constructional design of the ventilation system has to be adapted to the particular type of equipment in use, it cannot be furnished as an accessory together with the tube. The dimensions indicated in the diagram are recommended for the guiding piece for cooling the radiator.

LIMITING VALUES (Absolute limits)

| | | | | |
|--------------------------------|------------|--------|------|-----|
| Frequency | f | up to | 2500 | MHz |
| Anode voltage (unmodulated) | V_a | = max. | 1000 | V |
| Anode voltage (100% modulated) | V_a | = max. | 600 | V |
| Anode dissipation | W_a | = max. | 100 | W |
| Negative grid voltage | $-V_g$ | = max. | 150 | V |
| Peak negative grid voltage | $-V_{gp}$ | = max. | 400 | V |
| Peak positive grid voltage | $+V_{gp}$ | = max. | 30 | V |
| Grid dissipation | W_g | = max. | 2 | W |
| Grid current | I_g | = max. | 50 | mA |
| Cathode current | I_k | = max. | 125 | mA |
| Bulb temperature | t_{bulb} | = max. | 175 | °C |

TYPICAL CHARACTERISTICS

| | | | | |
|----------------------|-------|---|--------------|----------|
| Anode voltage | V_a | = | 600 | V |
| Cathode resistor | R_k | = | 30 | Ω |
| Anode current | I_a | = | 75 > 60 < 95 | mA |
| Mutual conductance | S | = | 25 > 20 < 30 | mA/V |
| Amplification factor | μ | = | 100 | |

OPERATING CHARACTERISTICS

C.W. oscillator

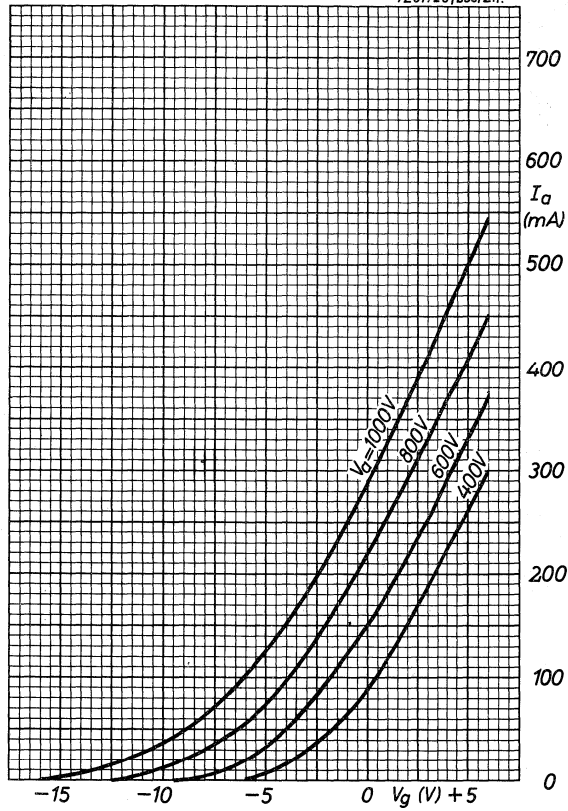
| | | | | | |
|----------------|-------|---|------|------|-----|
| Frequency | f | = | 2500 | 2500 | MHz |
| Heater voltage | V_f | = | 4.5 | 4.5 | V |
| Anode voltage | V_a | = | 600 | 800 | V |
| Anode current | I_a | = | 100 | 100 | mA |
| Grid current | I_g | = | 10 | 8 | mA |
| Output power | W_o | = | 12 | 18 | W |

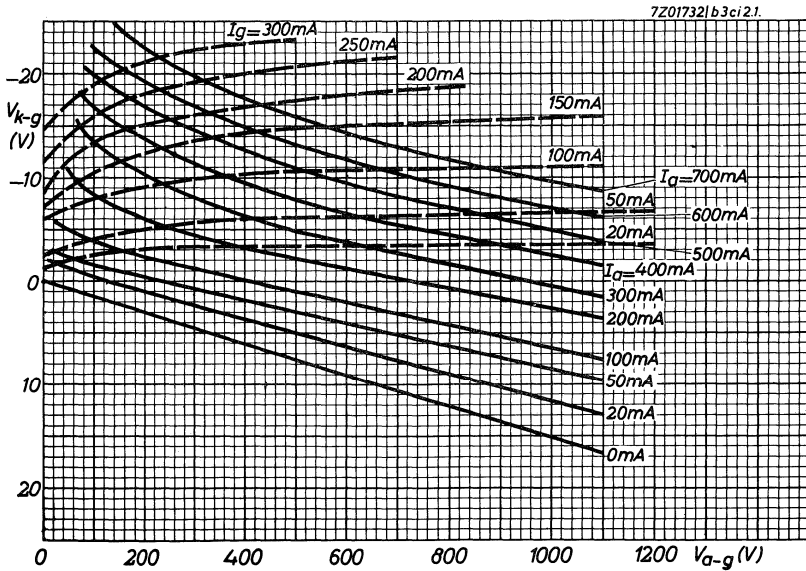
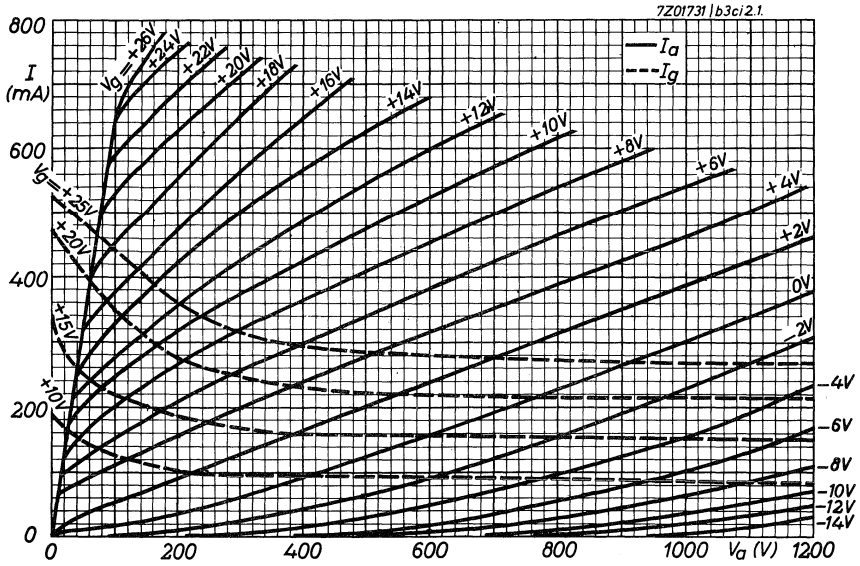
Frequency doubler

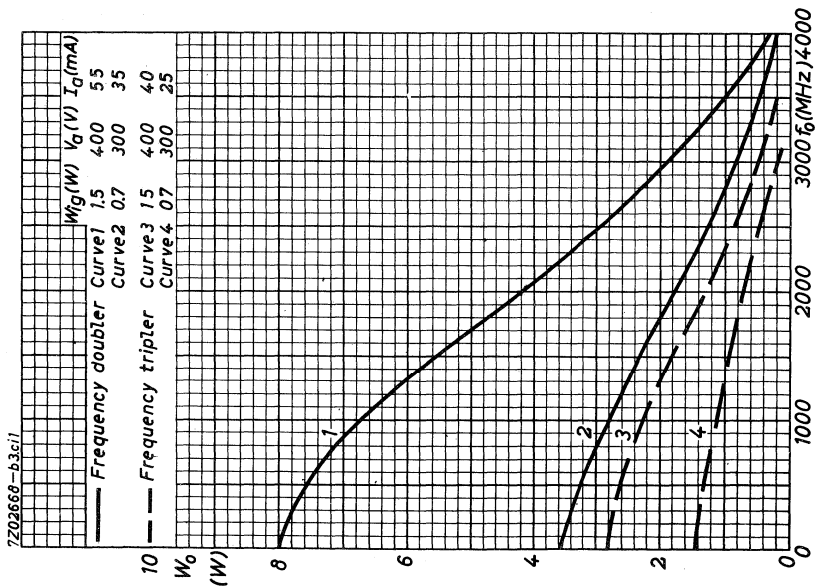
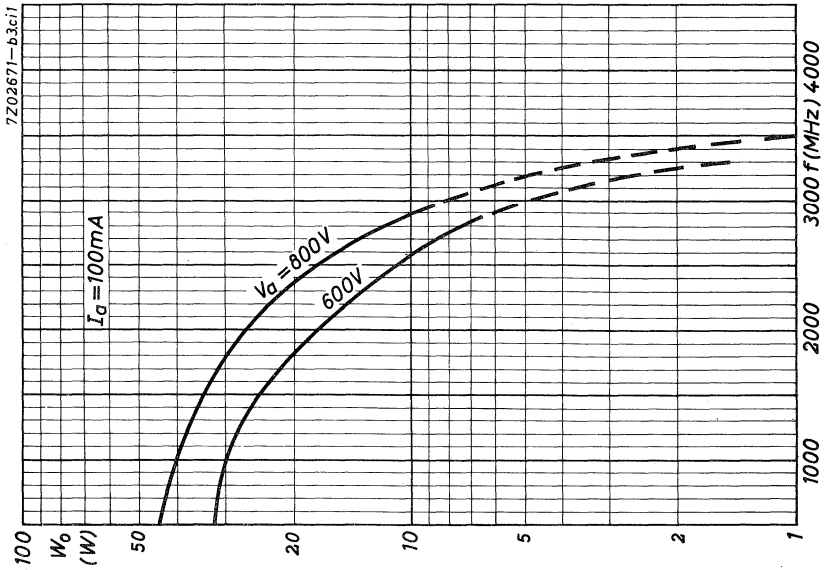
| | | | | |
|------------------|----------|---|-----------|-----|
| Frequency | f | = | 1000/2000 | MHz |
| Heater voltage | V_f | = | 5.6 | V |
| Anode voltage | V_a | = | 400 | V |
| Grid voltage | V_g | = | -15 | V |
| Anode current | I_a | = | 55 | mA |
| Grid input power | W_{ig} | = | 1.5 | W |
| Output power | W_o | = | 4.1 | W |

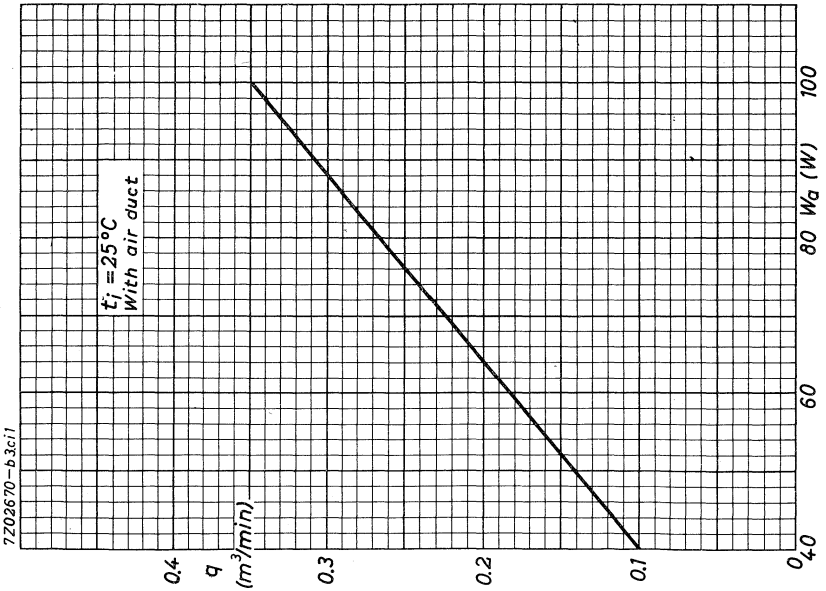
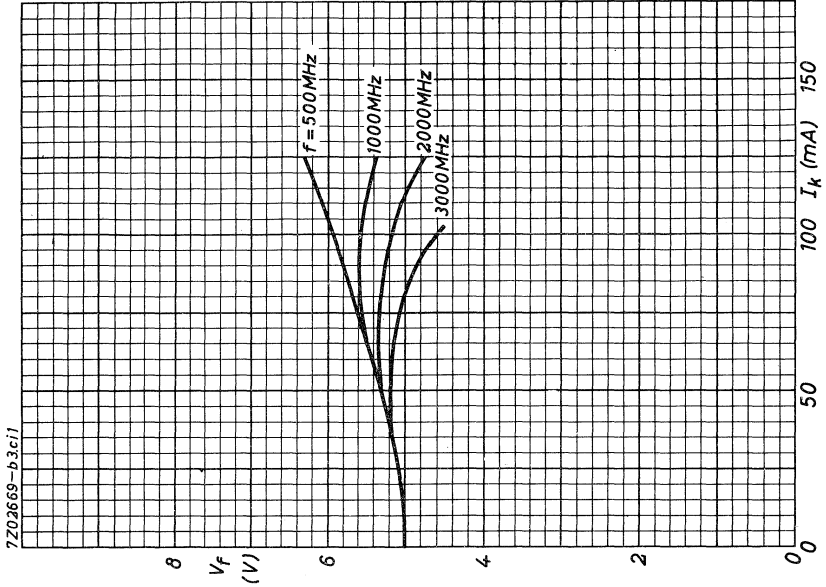
The life of the tube depends on the load and particularly on the tube temperature and the anode voltage. It is therefore recommended that the tube output required be attained with the lowest possible anode voltage, and that the tube temperature be kept as low as possible by adequate cooling.

7Z01728/b3ci2.1.









DISC SEAL TRIODE

Air cooled disc seal triode of metal-ceramic design, for use as oscillator, modulator, mixer, amplifier and frequency multiplier up to 3500 MHz.

| QUICK REFERENCE DATA | |
|--------------------------|-----------------------|
| Output power at 2500 MHz | $W_o = 24 \text{ W}$ |
| Mutual conductance | $S = 25 \text{ mA/V}$ |
| Amplification factor | $\mu = 100$ |
| Construction | metal-ceramic |

HEATING

Indirect by A.C. or D.C.; parallel supply

| | |
|----------------|----------------------------------------|
| Heater voltage | $V_f = 6.0 \text{ V}$ |
| Heater current | $I_f = 0.9 \text{ to } 1.05 \text{ A}$ |
| Waiting time | $T_w = \text{min. } 1 \text{ min}$ |

Remarks

1. In the interest of long tube life, the heater voltage should be matched to the required cathode current. Under dynamic operation, the back heating of the cathode which occurs at frequencies in the region of transit time must be compensated for by a reduction of heater voltage. Standard values should be taken from the curves on page 9. The maximum heater voltage fluctuation should not exceed $\pm 5\%$.
2. For pulsed operation, 6 V is normally required for preheating. For C.W. operation preheating should be effected at the voltage indicated by the curve for $f = 500 \text{ MHz}$ on page 9. In the case of power off periods of up to 5 sec or C.W. operation with $V_a = \text{max. } 300 \text{ V}$ and $I_k = \text{max. } 30 \text{ mA}$, preheating is not necessary.

CAPACITANCES

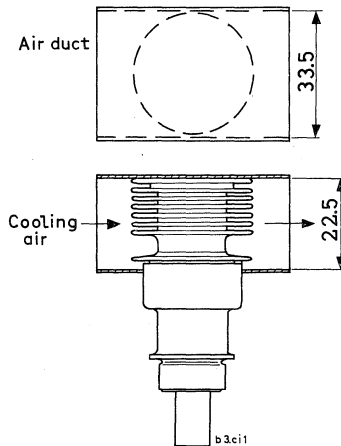
| | | |
|-----------------------------------------------|-------------------------------|----|
| Anode to grid | $C_{ag} = 2.05 > 1.95 < 2.15$ | pF |
| Anode to cathode | $C_{ak} < 0.035$ | pF |
| Grid to cathode | $C_{gk} = 6.3 > 5.6 < 7.0$ | pF |
| Anode to cathode ($V_f = 6.0$ V; $I_k = 0$) | $C_{ak} < 0.045$ | pF |
| Grid to cathode ($V_f = 6.0$ V; $I_k = 0$) | $C_{gk} = 7.5$ | pF |

COOLING

For maximum anode dissipation and assuming the use of an air duct of the dimensions indicated, an air flow of approx. 350 l/min is required for cooling the radiator in case of an inlet temperature of 25 °C. If necessary, the other surfaces should be cooled as well with a low-velocity air flow. As the constructional design of the ventilation system has to be adapted to the particular type of equipment in use, it cannot be furnished as an accessory together with the tube. The dimensions indicated in the diagram are recommended for the guiding piece for cooling the radiator.

MECHANICAL DATA

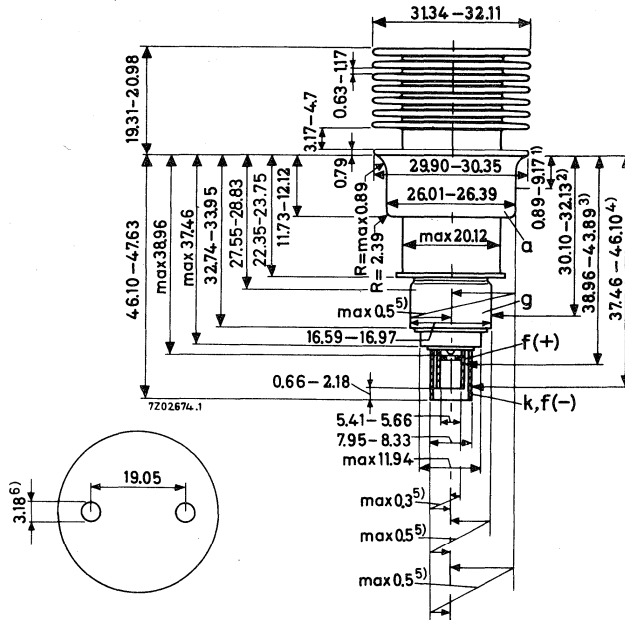
Dimensions in mm



MECHANICAL DATA (continued)

Dimensions in mm

Net weight: 70 g



Mounting: where possible, the tube should be mounted in the coaxial resonators with the aid of adequately resilient spring contacts.

- 1) Anode contact surface
- 2) Grid contact surface
- 3) Heater contact surface
- 4) Cathode-heater contact surface
- 5) Centre variation
- 6) Holes for extractor

LIMITING VALUES (Absolute limits)

| Frequency | f | up to 3000 | MHz |
|--------------------------------|------------|-------------|-----|
| Anode voltage (unmodulated) | V_a | = max. 1000 | V |
| Anode voltage (100% modulated) | V_a | = max. 600 | V |
| Anode dissipation | W_a | = max. 100 | W |
| Negative grid voltage | $-V_g$ | = max. 150 | V |
| Peak negative grid voltage | $-V_{gp}$ | = max. 400 | V |
| Peak positive grid voltage | $+V_{gp}$ | = max. 30 | V |
| Grid dissipation | W_g | = max. 2 | W |
| Grid current | I_g | = max. 50 | mA |
| Cathode current | I_k | = max. 125 | mA |
| Bulb temperature | t_{bulb} | = max. 250 | °C |

TYPICAL CHARACTERISTICS

| | | | |
|----------------------|-------|-------|----------------|
| Anode voltage | V_a | = 600 | V |
| Cathode resistor | R_k | = 30 | Ω |
| Anode current | I_a | = 75 | > 60 < 95 mA |
| Mutual conductance | S | = 25 | > 20 < 30 mA/V |
| Amplification factor | μ | = 100 | |

OPERATING CHARACTERISTICS

C.W. oscillator

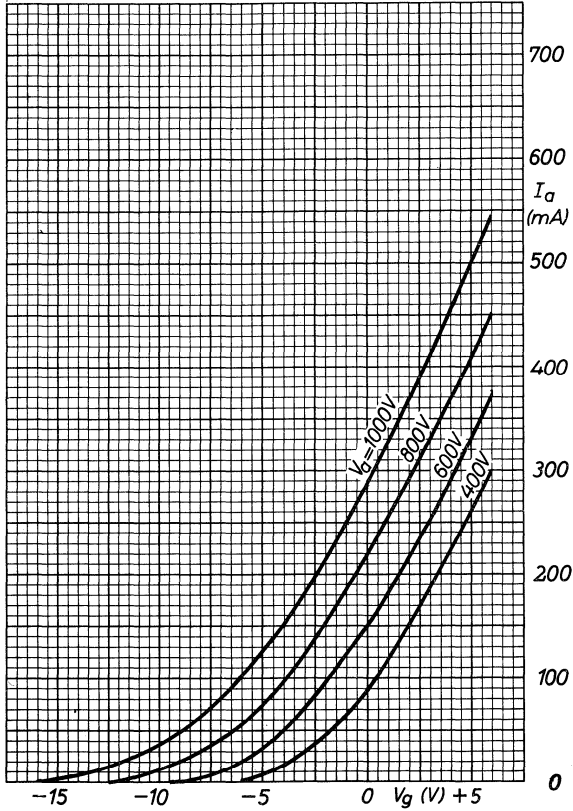
| | | | | | |
|----------------|-------|---|------|------|-----|
| Frequency | f | = | 2500 | 2500 | MHz |
| Heater voltage | V_f | = | 4.5 | 4.5 | V |
| Anode voltage | V_a | = | 600 | 800 | V |
| Anode current | I_a | = | 100 | 100 | mA |
| Grid current | I_g | = | 10 | 8 | mA |
| Output power | W_o | = | 16 | 24 | W |

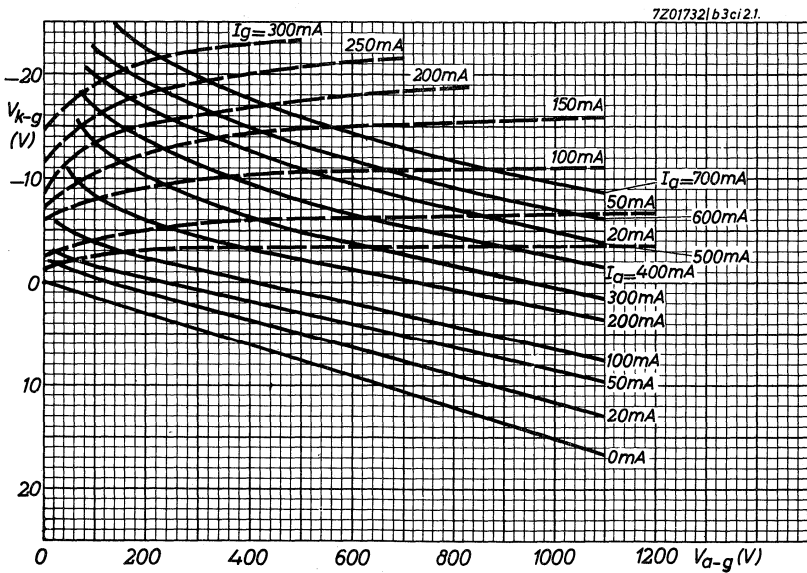
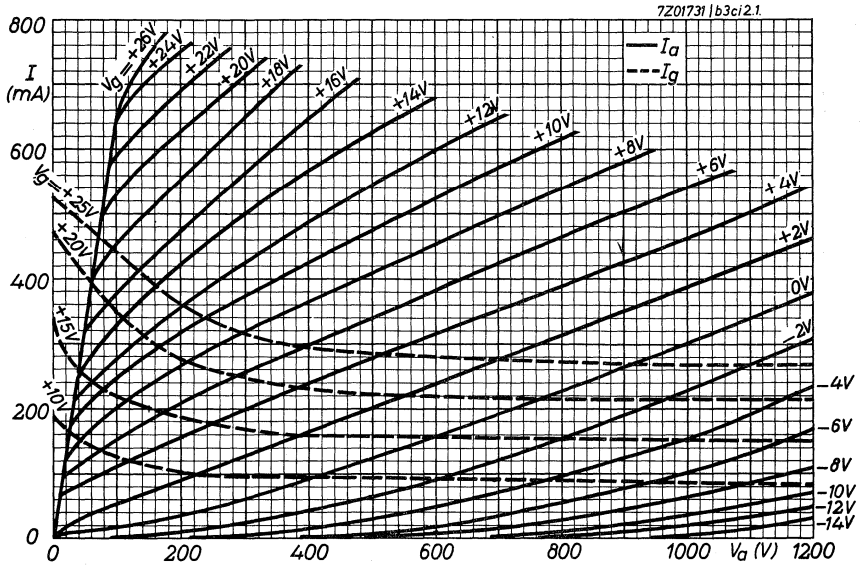
Frequency doubler

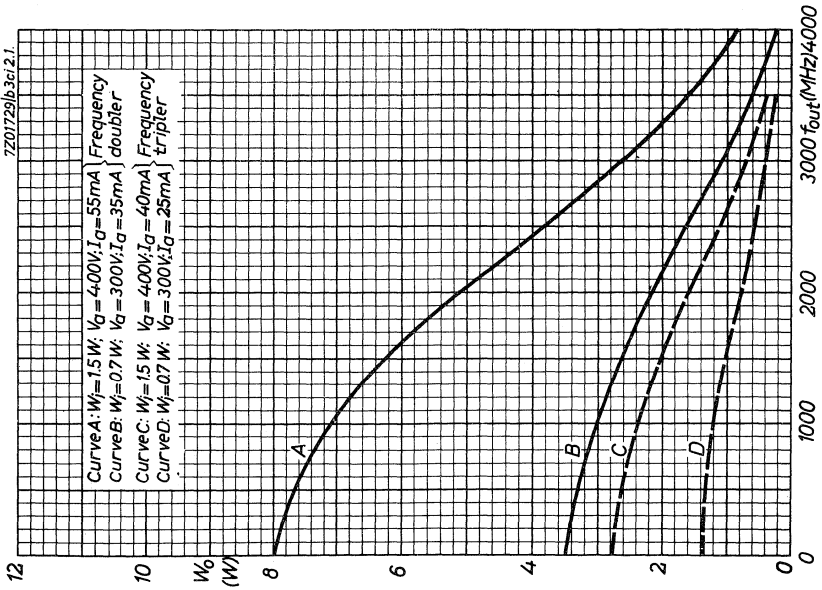
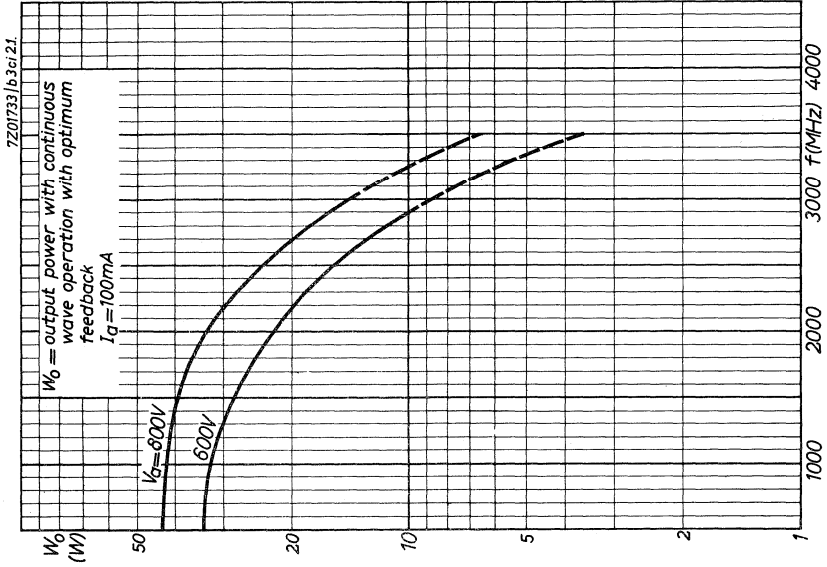
| | | | | |
|------------------|----------|---|-----------|-----|
| Frequency | f | = | 1000/2000 | MHz |
| Heater voltage | V_f | = | 5.6 | V |
| Anode voltage | V_a | = | 400 | V |
| Grid voltage | V_g | = | -15 | V |
| Anode current | I_a | = | 55 | mA |
| Grid input power | W_{ig} | = | 1.5 | W |
| Output power | W_o | = | 5.2 | W |

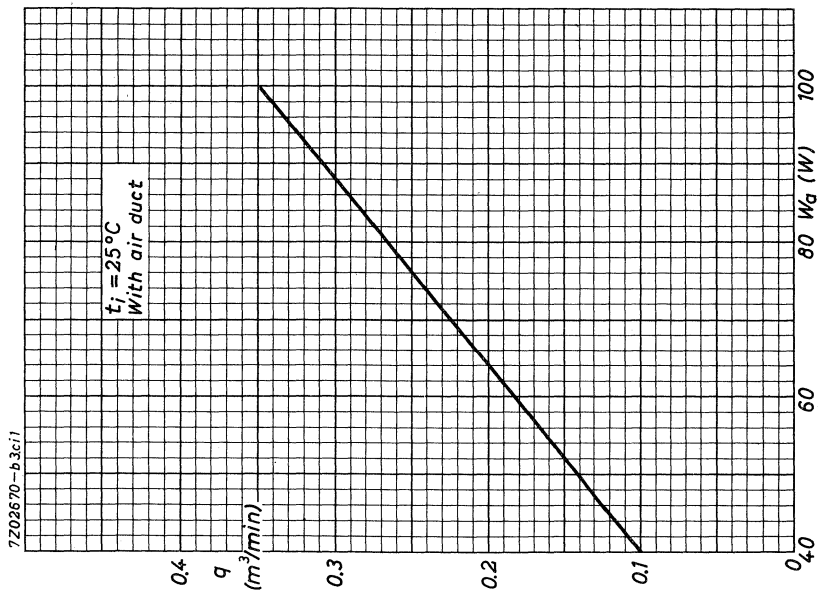
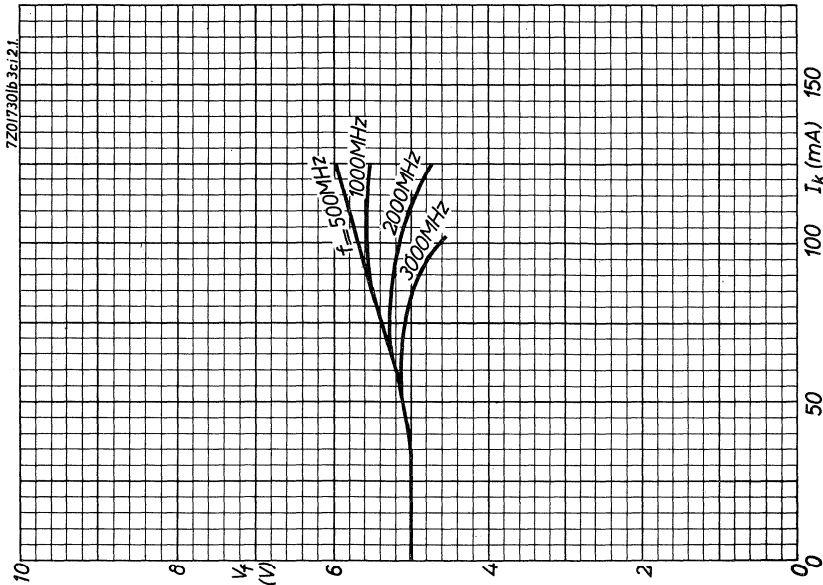
The life of the tube depends on the load and particularly on the tube temperature and the anode voltage. It is therefore recommended that the tube output required be attained with the lowest possible anode voltage, and that the tube temperature be kept as low as possible by adequate cooling.

7Z01728|b3cj2.1.









PENCIL TYPE UHF HIGH MU TRIODE

Pencil type UHF high mu triode for use in grounded grid service as RF amplifier, IF amplifier or mixer in receivers operating at frequencies up to about 1000 MHz, as frequency multiplier up to about 1500 MHz and as oscillator up to 1700 MHz. The tube can be used at altitudes up to 20 km without pressurized chambers.

QUICK REFERENCE DATA

| | | | |
|---------------------------|-------|---|-------------|
| Amplification factor | μ | = | 56 |
| Mutual conductance | S | = | 6.5 mA/V |
| Maximum anode dissipation | W_a | = | max. 6.25 W |

HEATING: indirect by AC or DC

| | | | |
|----------------|-------|---|--------|
| Heater voltage | V_f | = | 6.3 V |
| Heater current | I_f | = | 135 mA |

CAPACITANCES

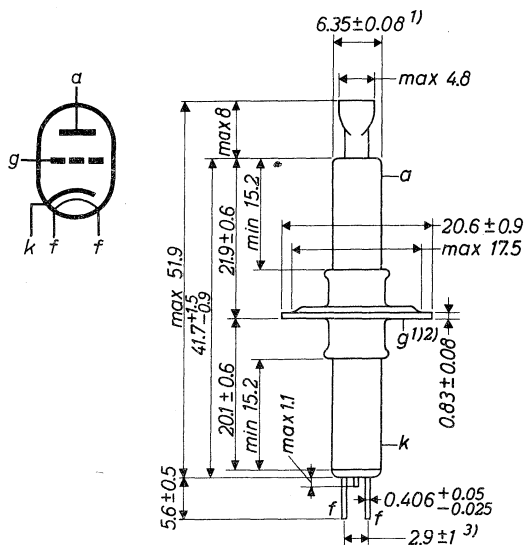
| | | | |
|--------------------------|----------|---|----------|
| Anode to all except grid | C_a | < | 0.035 pF |
| Grid to all except anode | C_g | = | 2.5 pF |
| Anode to grid | C_{ag} | = | 1.4 pF |

TYPICAL CHARACTERISTICS

| | | | |
|----------------------|-------|---|---------------|
| Anode voltage | V_a | = | 250 V |
| Anode current | I_a | = | 18 mA |
| Amplification factor | μ | = | 56 |
| Mutual conductance | S | = | 6.5 mA/V |
| Internal resistance | R_i | = | 8625 Ω |

MECHANICAL DATA

Dimensions in mm



Mounting position: arbitrary

INSTALLATION NOTES

Connections to the cathode cylinder, the grid disc and the anode cylinder should be made by flexible spring contacts only. The connectors must make firm, large surface contact, yet must be sufficiently flexible so that no part of the tube is subjected to strain. Unless this recommendation is observed, the glass to metal seals may be damaged.

- 1) Maximum eccentricity of the axis of the anode terminal or the grid terminal flange with respect to the axis of the cathode terminal is 0.204 mm.
- 2) The tilt of the grid terminal flange with respect to the rotational axis of the cathode terminal is determined by chucking the cathode terminal, rotating the tube and gauging the total travel distance of the grid terminal flange parallel to the axis at a point approximately 0.5 mm inward from its edge for one complete revolution. The total travel distance will not exceed 0.51 mm.
- 3) Distance at the terminal tips.

CLASS A AMPLIFIER**LIMITING VALUES** (Absolute limits)

| | | | |
|---------------------------|----------|--------|----------------------|
| Anode voltage | V_a | = max. | 300 V |
| Anode current | I_a | = max. | 25 mA |
| Anode dissipation | W_a | = max. | 6.25 W ¹⁾ |
| Negative grid voltage | $-V_g$ | = max. | 100 V |
| Grid circuit resistance | R_g | = max. | 0.5 M Ω |
| Heater to cathode voltage | V_{kf} | = max. | 90 V |
| Anode seal temperature | t | = max. | 175 °C |

OPERATING CHARACTERISTICS

| | | | |
|------------------|-------|---|-------------|
| Anode voltage | V_a | = | 250 V |
| Anode current | I_a | = | 18 mA |
| Cathode resistor | R_k | = | 75 Ω |

¹⁾ In applications where W_a is more than 2.5 W it is important that a large area of contact be provided between the anode cylinder and the terminal to provide adequate heat conduction.

R.F. CLASS C TELEGRAPHY, GROUNDED GRID CIRCUIT

Key down conditions per tube without amplitude modulation. Modulation essentially negative may be used if the positive peak of the audio frequency does not exceed 115% of the carrier conditions.

LIMITING VALUES (Absolute limits; continuous service)

| | | | |
|---------------------------|-----------|--------|----------------------|
| Anode voltage | V_a | = max. | 360 V |
| Anode current | I_a | = max. | 25 mA |
| Anode input power | W_{i_a} | = max. | 9 W |
| Anode dissipation | W_a | = max. | 6.25 W ¹⁾ |
| Negative grid voltage | $-V_g$ | = max. | 100 V |
| Grid current | I_g | = max. | 8 mA |
| Grid circuit resistance | R_g | = max. | 0.1 M Ω |
| Heater to cathode voltage | V_{kf} | = max. | 90 V |
| Anode seal temperature | t | = max. | 175 °C |

OPERATING CHARACTERISTICS AS POWER AMPLIFIER

| | | | |
|-------------------------------------------|----------|---|--------------------|
| Anode voltage | V_a | = | 275 V |
| Anode current | I_a | = | 23 mA |
| Grid voltage, obtained from grid resistor | V_g | = | -51 V |
| Grid current | I_g | = | 7 mA ²⁾ |
| Driving power | W_{dr} | = | 2 W ²⁾ |
| Output power | W_o | = | 5 W ³⁾ |

OPERATING CHARACTERISTICS AS OSCILLATOR

| | | | | | |
|-------------------------------------------|-------|---|-----|------|------------------|
| Frequency | f | = | 500 | 1700 | MHz |
| Anode voltage | V_a | = | 250 | 250 | V |
| Anode current | I_a | = | 23 | 23 | mA |
| Grid voltage, obtained from grid resistor | V_g | = | -12 | -2 | V |
| Grid current | I_g | = | 6 | 3 | mA ²⁾ |
| Output power | W_o | = | 3 | 0.75 | W |

1) In applications where W_a is more than 2.5 W it is important that a large area of contact be provided between the anode cylinder and the terminal to provide adequate heat conduction.

2) The typical values of I_g and the input power W_{dr} are subject to variations depending on the impedance of the load circuit.

3) Power transferred from driving stage included.

R.F. CLASS C ANODE MODULATED POWER AMPLIFIER

Carrier conditions per tube for use with a maximum modulation factor of 1.0

LIMITING VALUES (Absolute limits; continuous service)

| | | | |
|---------------------------|-----------|--------|----------------------|
| Anode voltage | V_a | = max. | 275 V |
| Anode current | I_a | = max. | 22 mA |
| Anode input power | W_{i_a} | = max. | 6 W |
| Anode dissipation | W_a | = max. | 4.25 W ¹⁾ |
| Negative grid voltage | $-V_g$ | = max. | 100 V |
| Grid current | I_g | = max. | 8 mA |
| Grid circuit resistance | R_g | = max. | 0.1 M Ω |
| Heater to cathode voltage | V_{kf} | = max. | 90 V |
| Anode seal temperature | t | = max. | 175 °C |

¹⁾ In applications where W_a is more than 2.5 W it is important that a large area of contact be provided between the anode cylinder and the terminal to provide adequate heat conduction.

FREQUENCY MULTIPLIER, GROUNDED GRID CIRCUIT

LIMITING VALUES (Absolute limits; continuous service)

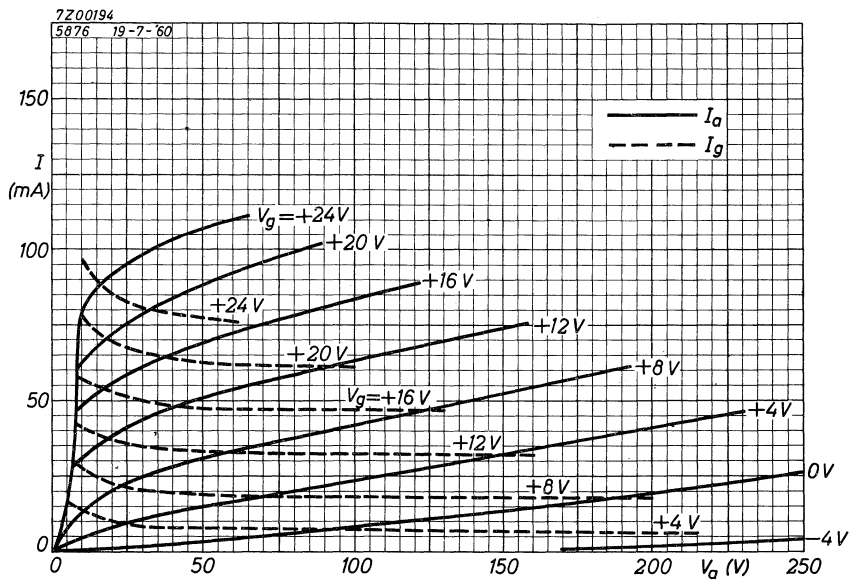
| | | | | |
|---------------------------|-----------|--------|------|--------------------|
| Anode voltage | V_a | = max. | 330 | V |
| Anode current | I_a | = max. | 22 | mA |
| Anode input power | W_{I_a} | = max. | 7.5 | W |
| Anode dissipation | W_a | = max. | 6.25 | W ¹⁾ |
| Negative grid voltage | $-V_g$ | = max. | 100 | V |
| Grid current | I_g | = max. | 8 | mA |
| Grid circuit resistance | R_g | = max. | 0.1 | M Ω |
| Heater to cathode voltage | V_{kf} | = max. | 90 | V |
| Anode seal temperature | t | = max. | 175 | $^{\circ}\text{C}$ |

OPERATING CHARACTERISTICS

| | | | | | |
|----------------------------------------------|----------|---|---------|---------|------------------|
| Frequency | f | = | 160/480 | 480/960 | MHz |
| Anode voltage | V_a | = | 300 | 300 | V |
| Anode current | I_a | = | 18 | 17.3 | mA |
| Grid voltage, obtained from
grid resistor | V_g | = | -90 | -70 | V |
| Grid current | I_g | = | 6 | 7 | mA ²⁾ |
| Driving power | W_{dr} | = | 2.1 | 2.0 | W ²⁾ |
| Output power | W_o | = | 2.1 | 2.0 | W |

1) In applications where W_a is more than 2.5 W it is important that a large area of contact be provided between the anode cylinder and the terminal to provide adequate heat conduction.

2) The typical values of I_g and the input power W_{dr} are subject to variations depending on the impedance of the load circuit.



PENCIL TYPE UHF HIGH MU TRIODE

The 5876A is the ruggedized version of the 5876

PENCIL TYPE UHF MEDIUM MU TRIODE

Pencil type UHF medium-mu triode for use in grounded grid service as anode pulsed oscillator up to 3300 MHz and altitudes up to 3 km, or as class A amplifier, RF amplifier, RF oscillator or frequency doubler up to 1000 MHz and altitudes up to 30 km.

| QUICK REFERENCE DATA | | | |
|--------------------------------------------------|-------|-------|------------|
| Amplification factor | μ | = | 27 |
| Mutual conductance | S | = | 6 mA/V |
| Maximum anode dissipation,
class C telegraphy | CCS | W_a | = max. 7 W |
| | ICAS | W_a | = max. 8 W |

HEATING: indirect by AC or DC

Heater voltage

| | | | | |
|-------------------------------|-------|---|-------|------|
| under transmitting conditions | V_f | = | 6.0 V | +5% |
| under stand-by conditions | V_f | = | 6.3 V | -10% |

Heater current at $V_f = 6.0$ V

$$I_f = 0.28 \text{ A}$$

CAPACITANCES

| | | | |
|------------------|----------|---|---------|
| Anode to cathode | C_a | < | 0.07 pF |
| Grid to cathode | C_g | = | 2.5 pF |
| Anode to grid | C_{ag} | = | 1.75 pF |

TYPICAL CHARACTERISTICS

| | | | |
|----------------------|-------|---|---------------|
| Anode voltage | V_a | = | 200 V |
| Anode current | I_a | = | 25 mA |
| Mutual conductance | S | = | 6 mA/V |
| Amplification factor | μ | = | 27 |
| Internal resistance | R_i | = | 4500 Ω |

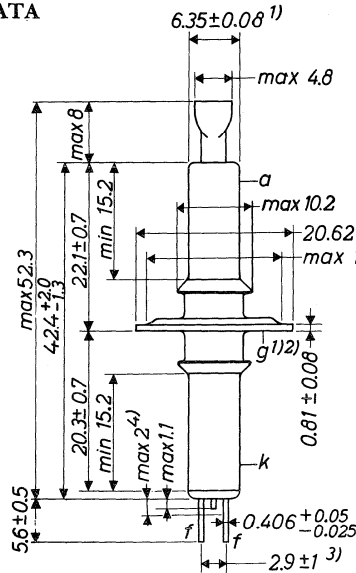
TEMPERATURE LIMITS (Absolute limits)

Anode seal temperature

= max. 175 °C

MECHANICAL DATA

Dimensions in mm



Mounting position: arbitrary

INSTALLATION NOTES

Connections to the cathode cylinder, grid flange and anode cylinder should be made by flexible spring contacts only. The connectors must make firm, large-surface contact, yet must be sufficiently flexible so that no part of the tube is subjected to strain. Unless this recommendation is observed, the glass-to-metal seals may be damaged. The heater leads fit to the Cinch socket No.54A1 1953. They should not be soldered to circuit elements. The heat of the soldering operation may crack the glass seals of the heater leads and damage the tube.

- 1) Max. eccentricity of the axis of the anode terminal or grid terminal flange with respect to the axis of the cathode terminal is 0.204 mm.
- 2) The tilt of the grid terminal flange with respect to the rotational axis of the cathode terminal is determined by chucking the cathode terminal, rotating the tube and gauging the total travel distance of the grid terminal flange parallel to the axis at a point approximately 0.5 mm inward from its edge for one complete rotation. The total travel distance will not exceed 0.51 mm.
- 3) Distance at the terminal tips.
- 4) Not tinned.

CLASS A AMPLIFIER WITHOUT GRID CURRENT

LIMITING VALUES (Absolute limits)

For altitudes up to 30 km

| | | |
|---------------------------|-----------|--------------|
| Anode voltage | V_a | = max. 330 V |
| Negative grid voltage | $-V_g$ | = max. 100 V |
| Anode current | I_a | = max. 35 mA |
| Anode dissipation | W_a | = max. 7 W |
| Cathode to heater voltage | V_{kf} | = max. 90 V |
| | $-V_{kf}$ | = max. 90 V |

OPERATING CONDITIONS

| | | |
|--------------------|-------|----------------|
| Anode voltage | V_a | = 200 V |
| Anode current | I_a | = 25 mA |
| Cathode resistance | R_k | = 100 Ω |

Page 4

- 1) The "on" time is the sum of the durations of all the individual pulses which occur during any 5000 μ sec interval. The pulse duration is defined as the time interval between the two points on the pulse at which the instantaneous value is 70% of the peak value. The peak value is defined as the maximum value of a smooth curve through the average of the fluctuations over the top portion of the pulse.
- 2) The magnitude of any spike on the anode voltage pulse should not exceed a value of 2000 volts with respect to the cathode and its duration should not exceed 0.01 μ sec measured at the peak value level.
- 3) In applications where the anode dissipation exceeds 2.5 watts it is important that a large area of contact be provided between the anode cylinder and the connector in order to provide adequate heat conduction.
- 4) The power output at the peak of a pulse is obtained from the average power output using the duty factor of the pulses. This procedure is necessary since the output power pulse duty factor may be less than the applied voltage pulse duty factor because of a delay in the start of RF output power.
- 5) The duty factor is the product of the pulse duration and the repetition frequency. For variable pulse durations and pulse repetition frequencies, the duty factor is defined as the ratio of the time "on" to total elapsed time in any 5000 μ sec interval.

ANODE PULSED OSCILLATOR, CLASS C

LIMITING VALUES (Absolute limits)

For altitudes up to 3 km

For a maximum "on" time of $5 \mu\text{s}$ in any $5000 \mu\text{s}$ interval ¹⁾

| | | |
|-----------------------------|-----------|-----------------------------|
| Peak positive anode voltage | V_{ap} | = max. 1750 V ²⁾ |
| Peak negative grid voltage | $-V_{gp}$ | = max. 150 V |
| Peak anode current | I_{ap} | = max. 3 A |
| Peak rectified grid current | I_{gp} | = max. 1.3 A |
| Anode current | I_a | = max. 3 mA |
| Grid current | I_g | = max. 1.3 mA |
| Anode dissipation | W_a | = max. 6 W ³⁾ |
| Pulse duration | T_{imp} | = max. 1.5 μs |
| Grid circuit resistance | R_g | = max. 0.5 M Ω |

OPERATING CONDITIONS with rectangular wave shape in grounded grid circuit at 3300 MHz

The heater should be allowed to warm up for at least 60 s before anode voltage is applied.

| | | |
|-----------------------------|-----------|------------------------|
| Peak positive anode voltage | V_{ap} | = 1750 V ²⁾ |
| Peak negative bias voltage | V_{gp} | = -110 V |
| Grid resistor | R_g | = 100 Ω |
| Peak anode current | I_{ap} | = 3 A |
| Peak rectified grid current | I_{gp} | = 1.1 A |
| Anode current | I_a | = 3 mA |
| Grid current | I_g | = 1.1 mA |
| Peak output power | W_{op} | = 1200 W ⁴⁾ |
| Pulse duration | T_{imp} | = 1 μs |
| Pulse repetition frequency | f_{imp} | = 1000 Hz |
| Duty factor | δ | = 0.001 ⁵⁾ |

¹⁾²⁾³⁾⁴⁾⁵⁾ See page 3.

ANODE MODULATED R.F. AMPLIFIER, CLASS C TELEPHONY

Carrier conditions per tube for use with a max. modulation factor of 1.0

LIMITING VALUES (Absolute limits)

For altitudes up to 30 km

| | | CCS | ICAS | |
|---------------------------|-----------|------------|-------------|-----------------|
| Anode voltage | V_a | = max. 260 | 320 | V |
| Negative grid voltage | $-V_g$ | = max. 100 | 100 | V |
| Anode current | I_a | = max. 33 | 33 | mA |
| Grid current | I_g | = max. 15 | 15 | mA |
| Anode input power | W_{Ia} | = max. 8.5 | 10.5 | W |
| Anode dissipation | W_a | = max. 5 | 5.5 | W ¹⁾ |
| Grid circuit resistance | R_g | = max. 0.1 | 0.1 | MΩ |
| Cathode to heater voltage | V_{kf} | = max. 90 | 90 | V |
| | $-V_{kf}$ | = max. 90 | 90 | V |

OPERATING CONDITIONS in grounded grid circuit at 500 MHz

| | | CCS | ICAS | |
|---------------------|----------|------------|-------------|---------------------|
| Anode voltage | V_a | = | 250 | 300 V |
| Grid voltage | V_g | = | -36 | -45 V ²⁾ |
| Anode current | I_a | = | 30 | 30 mA |
| Grid current | I_g | = | 11 | 12 mA |
| Driver output power | W_{dr} | = | 1.8 | 2.0 W |
| Output power | W_o | = | 5.5 | 6.5 W |

¹⁾ In applications where the anode dissipation exceeds 2.5 watts, it is important that a large area of contact be provided between the anode cylinder and the connector in order to provide adequate heat conduction

²⁾ Obtained from grid resistor.

R. F. POWER AMPLIFIER AND OSCILLATOR CLASS C TELEGRAPHY

Key down conditions per tube without amplitude modulation. Modulation essentially negative may be used if the peak of the audio frequency envelope does not exceed 115% of the carrier conditions.

LIMITING VALUES (Absolute limits)

For altitudes up to 30 km

| | | | CCS | ICAS |
|---------------------------|-----------|--------|------------|-------------------|
| Anode voltage | V_a | = max. | 320 | 400 V |
| Negative grid voltage | $-V_g$ | = max. | 100 | 100 V |
| Anode current | I_a | = max. | 35 | 40 mA |
| Grid current | I_g | = max. | 15 | 15 mA |
| Anode input power | W_{ia} | = max. | 11 | 16 W |
| Anode dissipation | W_a | = max. | 7 | 8 W ¹⁾ |
| Grid circuit resistance | R_g | = max. | 0.1 | 0.1 MΩ |
| Cathode to heater voltage | V_{kf} | = max. | 90 | 90 V |
| | $-V_{kf}$ | = max. | 90 | 90 V |

OPERATING CONDITIONS as RF amplifier in grounded grid circuit at 500 MHz

| | | | CCS | ICAS |
|---------------------|----------|---|------------|---------------------|
| Anode voltage | V_a | = | 300 | 350 V |
| Grid voltage | V_g | = | -47 | -51 V ²⁾ |
| Anode current | I_a | = | 33 | 35 mA |
| Grid current | I_g | = | 13 | 13 mA |
| Driver output power | W_{dr} | = | 2.0 | 2.5 W |
| Output power | W_o | = | 7.5 | 8.5 W |

¹⁾ In applications where the anode dissipation exceeds 2.5 watts, it is important that a large area of contact be provided between the anode cylinder and the connector in order to provide adequate heat conduction.

²⁾ Obtained from grid resistor.

R. F. POWER AMPLIFIER AND OSCILLATOR CLASS C TELEGRAPHY

(continued)

OPERATING CONDITIONS as RF amplifier in grounded grid circuit at 1000 MHz

| | | CCS | ICAS | |
|---------------------|----------|------------|-------------|-----------------|
| Anode voltage | V_a | = 300 | 350 | V |
| Grid voltage | V_g | = -30 | -33 | V ²⁾ |
| Anode current | I_a | = 33 | 33 | mA |
| Grid current | I_g | = 12 | 13 | mA |
| Driver output power | W_{dr} | = 1.9 | 2.4 | W |
| Output power | W_o | = 5.5 | 6.5 | W |

OPERATING CONDITIONS as oscillator in grounded grid circuit at 500 MHz

| | | CCS | ICAS | |
|---------------|-------|------------|-------------|-----------------|
| Anode voltage | V_a | = 300 | 350 | V |
| Grid voltage | V_g | = -47 | -51 | V ²⁾ |
| Anode current | I_a | = 33 | 35 | mA |
| Grid current | I_g | = 13 | 13 | mA |
| Output power | W_o | = 5 | 6 | W |

1) In applications where the anode dissipation exceeds 2.5 watts, it is important that a large area of contact be provided between the anode cylinder and the connector in order to provide adequate heat conduction.

2) Obtained from grid resistor.

FREQUENCY DOUBLER

LIMITING VALUES (Absolute limits)

For altitudes up to 30 km

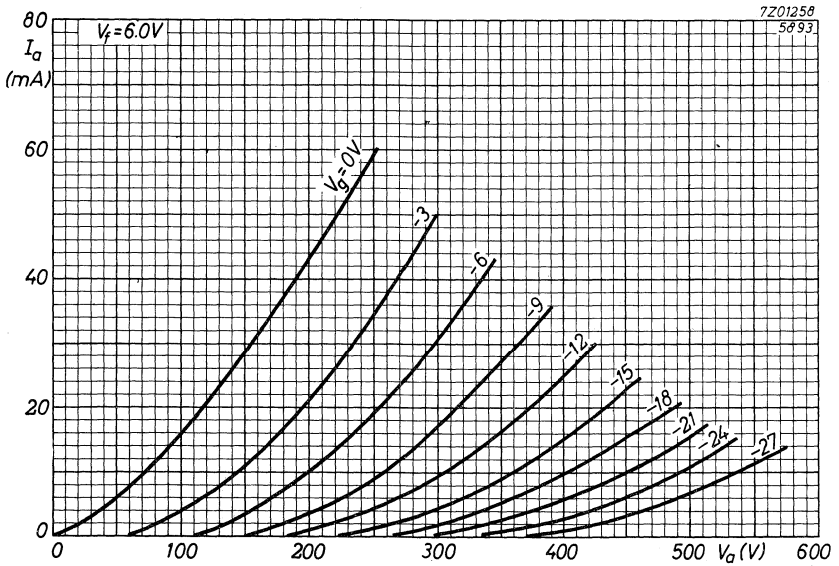
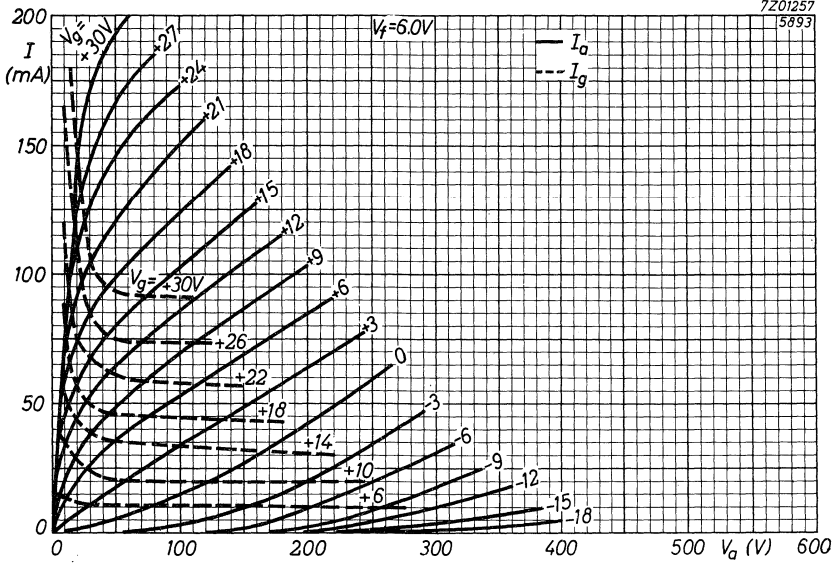
| | | CCS | ICAS |
|---------------------------|-----------|------------|---------------------|
| Anode voltage | V_a | = max. 260 | 320 V |
| Negative grid voltage | $-V_g$ | = max. 100 | 100 V |
| Anode current | I_a | = max. 33 | 33 mA |
| Grid current | I_g | = max. 12 | 12 mA |
| Anode input power | W_{i_a} | = max. 8.5 | 10.5 W |
| Anode dissipation | W_a | = max. 6 | 7.5 W ¹⁾ |
| Grid circuit resistance | R_g | = max. 0.1 | 0.1 M Ω |
| Cathode to heater voltage | V_{kf} | = max. 90 | 90 V |
| | $-V_{kf}$ | = max. 90 | 90 V |

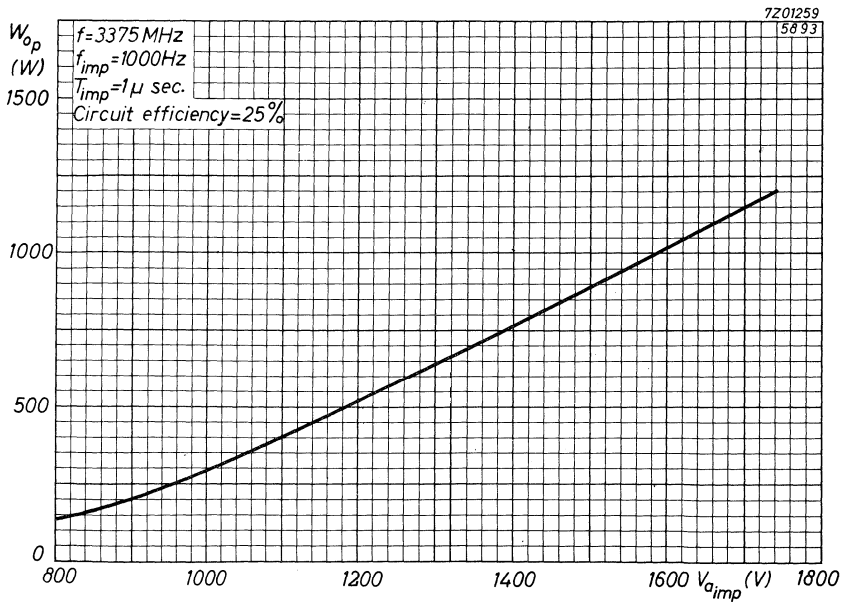
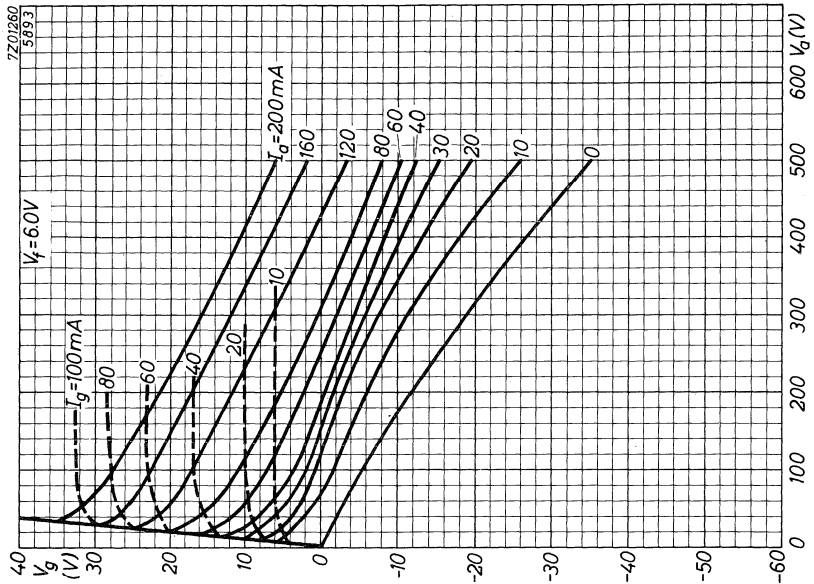
OPERATING CONDITIONS as frequency doubler up to 1000 MHz in grounded grid circuit

| | | CCS | ICAS |
|---------------------|----------|--------|---------------------|
| Anode voltage | V_a | = 250 | 300 V |
| Grid voltage | V_g | = -40 | -50 V ²⁾ |
| Anode current | I_a | = 33 | 33 mA |
| Grid current | I_g | = 7 | 8 mA |
| Driver output power | W_{dr} | = 3.2 | 3.5 W |
| Output power | W_o | = 2.75 | 3.0 W |

¹⁾ In applications where the anode dissipation exceeds 2.5 watts, it is important that a large area of contact be provided between the anode cylinder and the connector in order to provide adequate heat conduction.

²⁾ Obtained from grid resistor.





PENCIL TYPE UHF MEDIUM MU TRIODE

Pencil type UHF medium mu triode with external anode radiator for use in grounded grid service as RF power amplifier and oscillator. The tube can be used at altitudes up to 20 km without pressurized chambers.

| QUICK REFERENCE DATA | | | |
|---------------------------|-------|-------|-------------|
| Amplification factor | μ | = | 27 |
| Mutual conductance | S | = | 7 mA/V |
| Maximum anode dissipation | CCS | W_a | = max. 8 W |
| | ICAS | W_a | = max. 13 W |

HEATING: indirect by A.C. or D.C.

| | | | |
|----------------------------------------------|-------|---|-----------------|
| Heater voltage under stand by conditions | V_f | = | 6.3 V |
| Heater voltage under transmitting conditions | V_f | = | 6.0 V \pm 10% |
| Heater current at $V_f = 6.0$ V | I_f | = | 280 mA |

CAPACITANCES

| | | | |
|--------------------------------------------------|----------|---|---------|
| Anode to all except grid without external shield | C_a | < | 0.08 pF |
| Grid to all except anode without external shield | C_g | = | 2.9 pF |
| Anode to grid without external shield | C_{ag} | = | 1.7 pF |
| Anode to grid with external shield ¹⁾ | C_{ag} | = | 1.5 pF |

TYPICAL CHARACTERISTICS

| | | | |
|----------------------|-------|---|--------|
| Anode voltage | V_a | = | 200 V |
| Anode current | I_a | = | 27 mA |
| Amplification factor | μ | = | 27 |
| Mutual conductance | S | = | 7 mA/V |

¹⁾ Flat plate shield 31.75 mm diameter located parallel to the plane of the grid flange and midway between the grid flange and the anode terminal fin of the radiator. The shield is tied to the cathode.

COOLING

To keep the anode seal temperature below the maximum admissible value of 175 °C generally no forced air cooling will be required. Under conditions of free circulation of air an adequate cooling will be provided by means of the radiator in combination with a connector having adequate heat conduction capability. Under less favourable environmental conditions provision should be made to direct a blast of cooling air from a small blower through the radiator fins. The quantity of air should be sufficient to limit the anode seal temperature to 175 °C.

See also the cooling curves page 8.

Page 2

- 3) The tilt of the grid terminal flange with respect to the rotational axis of the cathode terminal is determined by chucking the cathode terminal, rotating the tube and gauging the total travel distance of the grid terminal flange parallel to the axis at a point approximately 0.5 mm inward from its edge for one complete rotation. The total travel distance will not exceed 0.64 mm.
- 4) Not tinned.
- 5) Distance at the terminal tips.
- 6) The straight edge on the perimeter of the large fin (anode terminal) is parallel to a plane through the centres of the heater leads at their seals within 15°.

R.F. CLASS C TELEGRAPHY

Key down conditions per tube without amplitude modulation. Modulation essentially negative may be used if the positive peak of the audio frequency does not exceed 115% of the carrier conditions.

LIMITING VALUES (Absolute limits)

The tube can be operated with full ratings at frequencies up to 500 MHz and at pressures down to 46 mm of Hg (corresponding to an altitude of about 20 km). With reduced ratings the tube can be operated at frequencies as high as 1700 MHz.

| | | CCS | ICAS |
|---------------------------|-----------|------------|-----------------------------|
| Anode voltage | V_a | = max. 330 | max. 400 V |
| Anode current | I_a | = max. 40 | max. 55 mA |
| Anode input power | W_{i_a} | = max. 13 | max. 22 W |
| Anode dissipation | W_a | = max. 8 | max. 13 W |
| Negative grid voltage | $-V_g$ | = max. 100 | max. 100 V |
| Grid current | I_g | = max. 25 | max. 25 mA |
| Grid circuit resistance | R_g | = max. 0.1 | max. 0.1 M Ω |
| Cathode current | I_k | = max. 55 | max. 70 mA |
| Heater to cathode voltage | V_{kf} | = max. 90 | max. 90 V |
| Anode seal temperature | t | = max. 175 | max. 175 $^{\circ}\text{C}$ |

OPERATING CHARACTERISTICS AS POWER AMPLIFIER in grounded grid circuit

| | | CCS | ICAS |
|--------------------------|------------|------------|----------------------|
| Frequency | f | = 500 | 500 MHz |
| Anode voltage | V_a | = 300 | 350 V |
| Anode current | I_a | = 35 | 40 mA |
| Grid voltage | V_g | = -48 | -58 V ¹⁾ |
| Grid current | I_g | = 13 | 15 mA |
| Driving power | W_{dr} | = 2.2 | 3.0 W |
| Output power in the load | W_{ℓ} | = 7 | 10 W ²⁾³⁾ |

¹⁾ From a grid resistor or from a suitable combination of grid resistor and fixed supply or grid resistor and cathode resistor.

²⁾ Measured in a circuit having an efficiency of about 75%.

³⁾ Power transferred from driving stage included.

R.F. CLASS C TELEGRAPHY (continued)

OPERATING CHARACTERISTICS AS OSCILLATOR

| | | CCS | ICAS |
|--------------------------|----------|-------|---------------------|
| Frequency | f | = 500 | 500 MHz |
| Anode voltage | V_a | = 300 | 350 V |
| Anode current | I_a | = 35 | 40 mA |
| Grid voltage | V_g | = -30 | -35 V ¹⁾ |
| Grid current | I_g | = 11 | 14 mA |
| Output power in the load | W_ℓ | = 5 | 7 W ²⁾ |

¹⁾ From a grid resistor or from a suitable combination of grid resistor and fixed supply or grid resistor and cathode resistor.

²⁾ Measured in a circuit having an efficiency of about 75 %

R.F. CLASS C ANODE MODULATED POWER AMPLIFIER

LIMITING VALUES (Absolute limits)

The tube can be operated with full ratings at pressures down to 46 mm of Hg (corresponding to an altitude of about 20 km)

| | | CCS | ICAS |
|---------------------------|-----------|------------|---------------------|
| Anode voltage | V_a | = max. 275 | max. 320 V |
| Anode current | I_a | = max. 33 | max. 46 mA |
| Anode input power | W_{i_a} | = max. 9 | max. 15 W |
| Anode dissipation | W_a | = max. 5.5 | max. 9 W |
| Negative grid voltage | $-V_g$ | = max. 100 | max. 100 V |
| Grid current | I_g | = max. 25 | max. 25 mA |
| Grid circuit resistance | R_g | = max. 0.1 | max. 0.1 M Ω |
| Cathode current | I_k | = max. 50 | max. 60 mA |
| Heater to cathode voltage | V_{kf} | = max. 90 | max. 90 V |
| Anode seal temperature | t | = max. 175 | max. 175 °C |

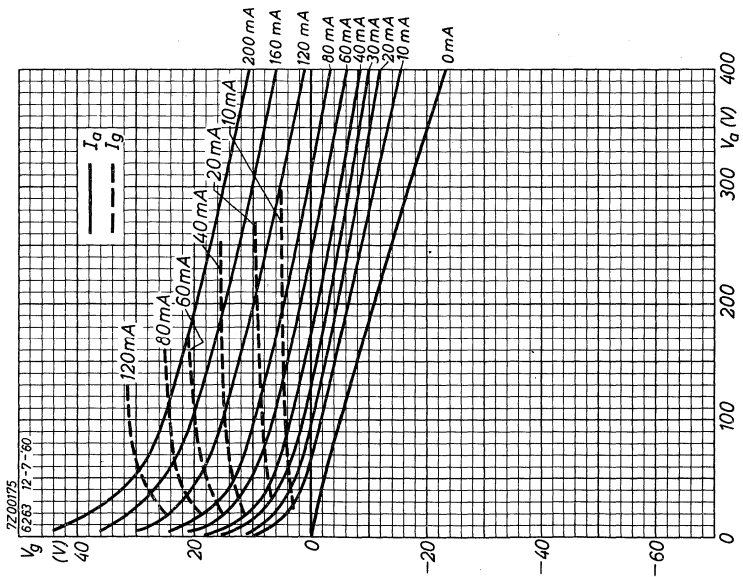
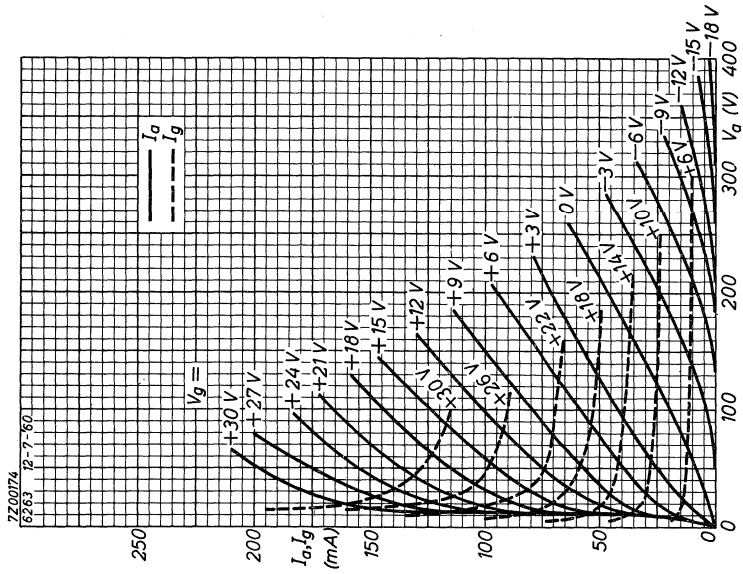
OPERATING CHARACTERISTICS in grounded grid circuit

| | | CCS | ICAS |
|--------------------------|----------|-------|---------------------|
| Frequency | f | = 500 | 500 MHz |
| Anode voltage | V_a | = 275 | 320 V |
| Anode current | I_a | = 33 | 35 mA |
| Grid voltage | V_g | = -42 | -52 V ¹⁾ |
| Grid current | I_g | = 13 | 12 mA |
| Driving power | W_{dr} | = 2.0 | 2.4 W |
| Output power in the load | W_l | = 6.7 | 8 W ²⁾³⁾ |

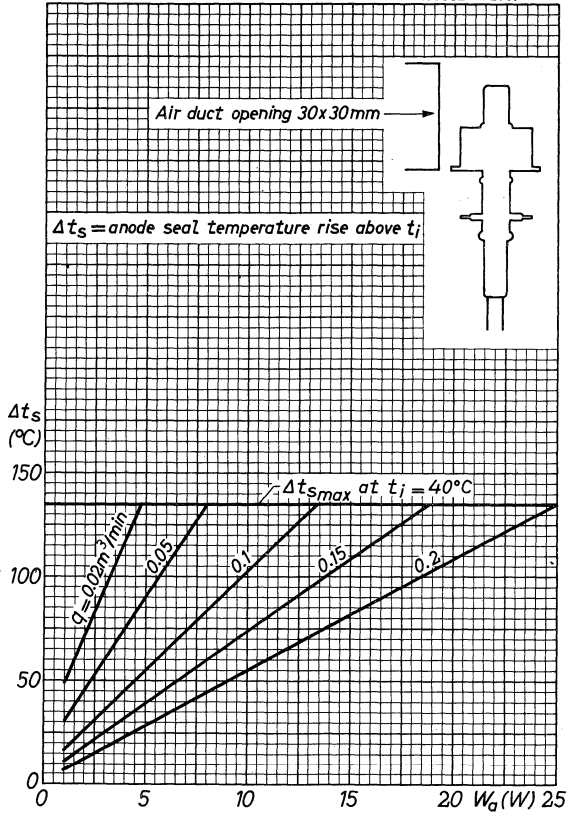
1) From a grid resistor or from a suitable combination of grid resistor and fixed supply or grid resistor and cathode resistor.

2) Measured in a circuit having an efficiency of about 75%.

3) Power transferred from driving stage included.



7Z05562-fbfc.



PENCIL TYPE UHF MEDIUM MU TRIODE

The 6263A is the ruggedized version of the 6263



PENCIL TYPE UHF MEDIUM MU TRIODE

Pencil type UHF medium mu triode with external anode radiator for use in grounded grid service as frequency multiplier; also useful as RF power amplifier and oscillator. The tube can be used at altitudes up to 20 km without pressurized chambers.

| QUICK REFERENCE DATA | | | |
|---------------------------|-------|-------|-------------|
| Amplification factor | μ | = | 40 |
| Mutual conductance | S | = | 6.8 mA/V |
| Maximum anode dissipation | CCS | W_a | = max. 8 W |
| | ICAS | W_a | = max. 13 W |

HEATING: indirect by A.C. or D.C.

| | | | |
|----------------------------------------------|-------|---|-----------------|
| Heater voltage under stand by conditions | V_f | = | 6.3 V |
| Heater voltage under transmitting conditions | V_f | = | 6.0 V \pm 10% |
| Heater current at $V_f = 6.0$ V | I_f | = | 280 mA |

CAPACITANCES

| | | | |
|--------------------------------------------------|----------|---|---------|
| Anode to all except grid without external shield | C_a | < | 0.07 pF |
| Grid to all except anode without external shield | C_g | = | 2.95 pF |
| Anode to grid without external shield | C_{ag} | = | 1.75 pF |
| Anode to grid with external shield ¹⁾ | C_{ag} | = | 1.5 pF |

TYPICAL CHARACTERISTICS

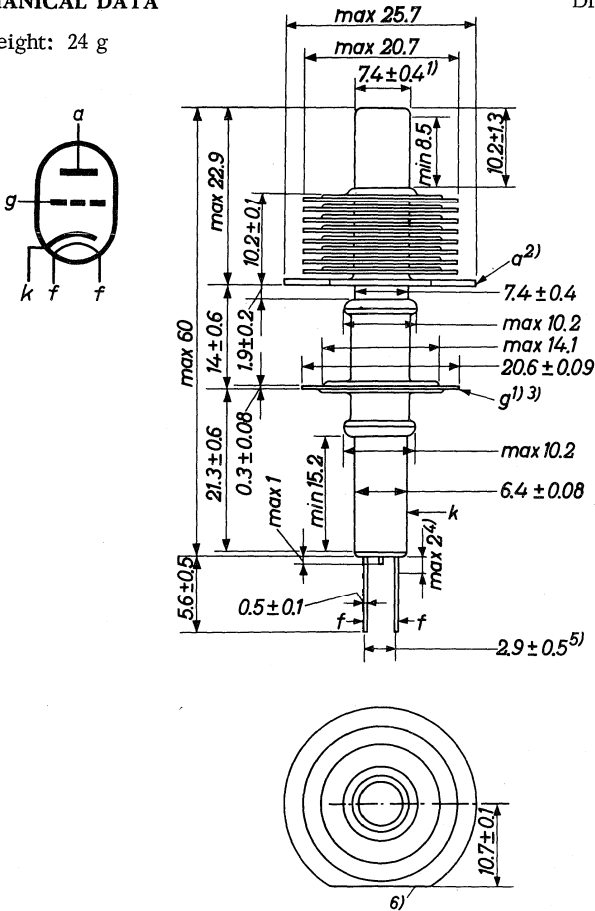
| | | | |
|----------------------|-------|---|----------|
| Anode voltage | V_a | = | 200 V |
| Anode current | I_a | = | 18.5 mA |
| Amplification factor | μ | = | 40 |
| Mutual conductance | S | = | 6.8 mA/V |

¹⁾ Flat plate shield 31.75mm diameter located parallel to the plane of the grid flange and midway between the grid flange and the anode terminal fin of the radiator. The shield is tied to the cathode.

MECHANICAL DATA

Dimensions in mm

Net weight: 24 g



Mounting position: arbitrary

- ¹⁾ Maximum eccentricity of the axes of the radiator core cap and the grid terminal flange with respect to the axis of the cathode terminal is 0.38 mm.
- ²⁾ The tilt of the anode terminal fin of the radiator with respect to the rotational axis of the cathode cylinder is determined by chucking the cathode terminal, rotating the tube and gauging the total travel distance of the anode terminal fin parallel to the axis at a point approximately 0.5 mm inward from the straight edge of the anode terminal fin for one complete rotation. The total travel distance will not exceed 0.9 mm.

COOLING

To keep the anode seal temperature below the maximum admissible value of 175 °C generally no forced air cooling will be required. Under conditions of free circulation of air an adequate cooling will be provided by means of the radiator in combination with a connector having adequate heat conduction capability. Under less favourable environmental conditions provision should be made to direct a blast of cooling air from a small blower through the radiator fins. The quantity of air should be sufficient to limit the anode seal temperature to 175 °C.

See also the cooling curves page 8.

Page 2

- 3) The tilt of the grid terminal flange with respect to the rotational axis of the cathode terminal is determined by chucking the cathode terminal, rotating the tube and gauging the total travel distance of the grid terminal flange parallel to the axis at a point approximately 0.5 mm inward from its edge for one complete rotation. The total travel distance will not exceed 0.64 mm.
- 4) Not tinned.
- 5) Distance at the terminal tips.
- 6) The straight edge on the perimeter of the large fin (anode terminal) is parallel to a plane through the centres of the heater leads at their seals within 15°.

R.F. CLASS C TELEGRAPHY

Key down conditions per tube without amplitude modulation. Modulation essentially negative may be used if the positive peak of the audio frequency does not exceed 115% of the carrier conditions.

LIMITING VALUES (Absolute limits)

The tube can be operated with full ratings at frequencies up to 500 MHz and at pressures down to 46 mm of Hg (corresponding to an altitude of about 20 km). With reduced ratings the tube can be operated at frequencies as high as 1700 MHz

| | | CCS | ICAS |
|---------------------------|-----------|------------|-----------------------------|
| Anode voltage | V_a | = max. 330 | max. 400 V |
| Anode current | I_a | = max. 40 | max. 50 mA |
| Anode input power | W_{i_a} | = max. 13 | max. 22 W |
| Anode dissipation | W_a | = max. 8 | max. 13 W |
| Negative grid voltage | $-V_g$ | = max. 100 | max. 100 V |
| Grid current | I_g | = max. 25 | max. 25 mA |
| Grid circuit resistance | R_g | = max. 0.1 | max. 0.1 M Ω |
| Cathode current | I_k | = max. 55 | max. 70 mA |
| Heater to cathode voltage | V_{k_f} | = max. 90 | max. 90 V |
| Anode seal temperature | t | = max. 175 | max. 175 $^{\circ}\text{C}$ |

OPERATING CHARACTERISTICS AS POWER AMPLIFIER in grounded grid

| | | CCS | ICAS |
|--------------------------|----------|------------|----------------------|
| Frequency | f | = 500 | 500 MHz |
| Anode voltage | V_a | = 300 | 350 V |
| Anode current | I_a | = 35 | 40 mA |
| Grid voltage | V_g | = -42 | -45 V ¹⁾ |
| Grid current | I_g | = 13 | 15 mA |
| Driving power | W_{dr} | = 2.4 | 3.0 W |
| Output power in the load | W_l | = 7.5 | 10 W ²⁾³⁾ |

1) From a grid resistor or from a suitable combination of grid resistor and fixed supply or grid resistor and cathode resistor.

2) Measured in a circuit having an efficiency of about 75 %

3) Power transferred from driving stage included.

R.F. CLASS C TELEGRAPHY (continued)

OPERATING CHARACTERISTICS AS OSCILLATOR

| | | CCS | ICAS |
|--------------------------|----------|-------|---------------------|
| Frequency | f | = 500 | 500 MHz |
| Anode voltage | V_a | = 300 | 350 V |
| Anode current | I_a | = 35 | 35 mA |
| Grid voltage | V_g | = -25 | -30 V ¹⁾ |
| Grid current | I_g | = 11 | 13 mA |
| Output power in the load | W_ℓ | = 5 | 6 W ²⁾ |

¹⁾ From a grid resistor or from a suitable combination of grid resistor and fixed supply or grid resistor and cathode resistor.

²⁾ Measured in a circuit having an efficiency of about 75 %

R.F. CLASS C FREQUENCY TRIPLER

LIMITING VALUES (Absolute limits)

The tube can be operated with full ratings at pressures down to 46 mm of Hg (corresponding to an altitude of about 20 km)

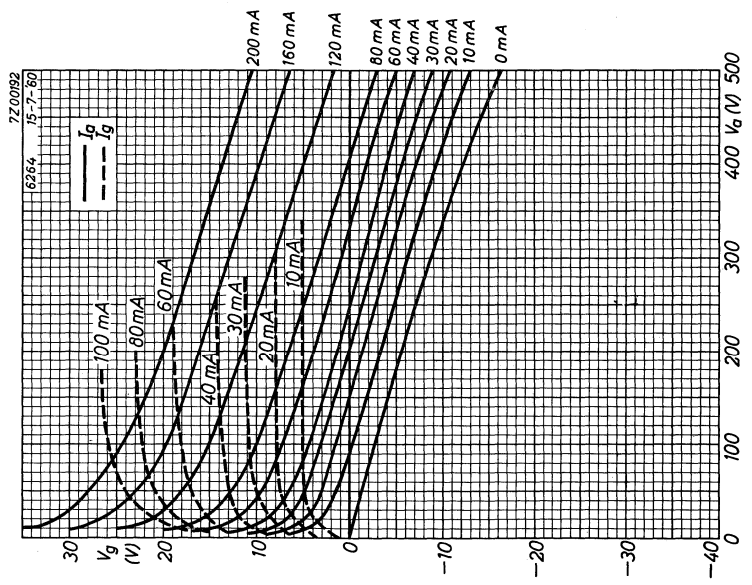
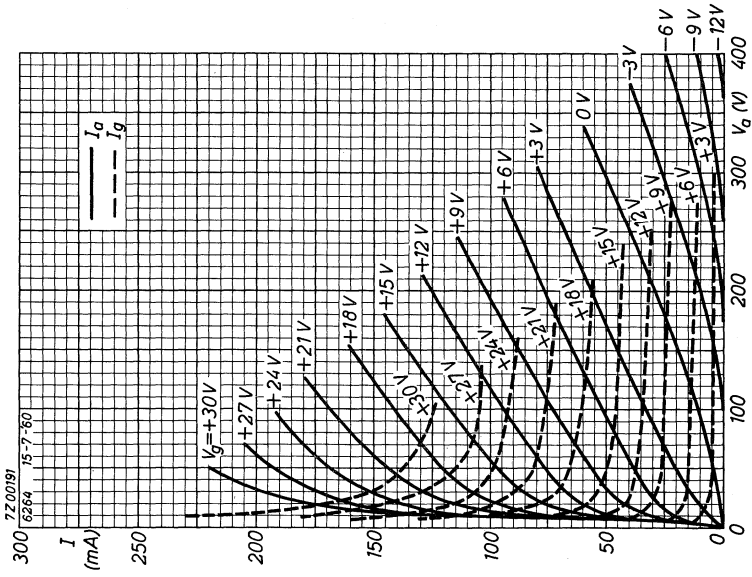
| | | CCS | ICAS |
|---------------------------|-----------|------------|---------------------|
| Anode voltage | V_a | = max. 300 | max. 350 V |
| Anode current | I_a | = max. 33 | max. 45 mA |
| Anode input power | W_{i_a} | = max. 9.9 | max. 15.8 W |
| Anode dissipation | W_a | = max. 6 | max. 9.5 W |
| Negative grid voltage | $-V_g$ | = max. 125 | max. 140 V |
| Grid current | I_g | = max. 15 | max. 15 mA |
| Grid circuit resistance | R_g | = max. 0.1 | max. 0.1 M Ω |
| Cathode current | I_k | = max. 45 | max. 55 mA |
| Heater to cathode voltage | V_{kf} | = max. 90 | max. 90 V |
| Anode seal temperature | t | = max. 175 | max. 175 °C |

OPERATING CHARACTERISTICS in grounded grid circuit

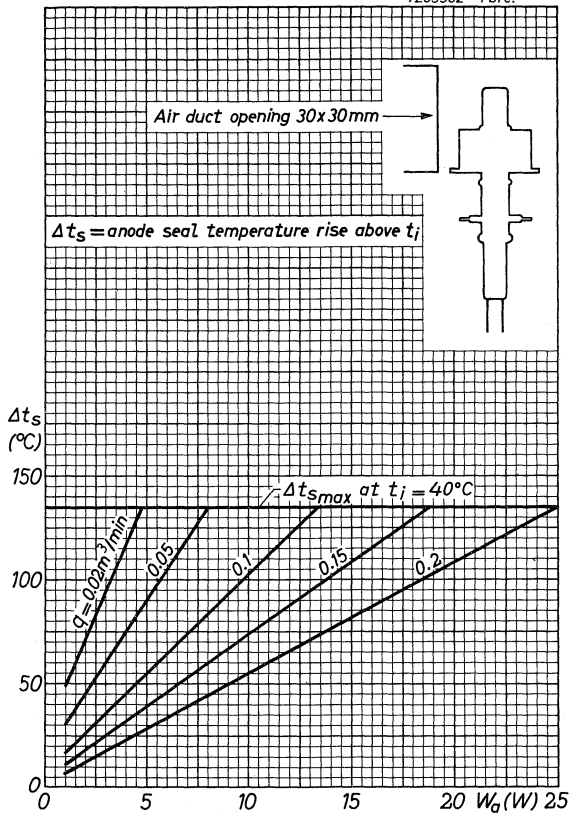
| | | CCS | ICAS |
|--------------------------|----------|-----------|----------------------|
| Frequency | f | = 170/510 | 170/510 MHz |
| Anode voltage | V_a | = 300 | 350 V |
| Anode current | I_a | = 26 | 36.5 mA |
| Grid voltage | V_g | = -110 | -122 V ¹⁾ |
| Grid current | I_g | = 4.1 | 5.8 mA |
| Driving power | W_{dr} | = 2.75 | 4.5 W |
| Output power in the load | W_l | = 2.1 | 3.4 W ²⁾ |

¹⁾ From a grid resistor or from a suitable combination of grid resistor and fixed supply or grid resistor and cathode resistor.

²⁾ Measured in a circuit having an efficiency of about 75%.



7205562-f.bfc.



PENCIL TYPE UHF MEDIUM MU TRIODE

The 6264A is the ruggedized version of the 6264

DISC SEAL TRIODE

Air cooled disc seal triode of metal-ceramic construction intended for use as oscillator, modulator, mixer, frequency multiplier and amplifier up to a frequency of 3000 MHz. Rugged construction.

| QUICK REFERENCE DATA | | |
|--------------------------------|---------------|---------|
| Output power at $f = 2500$ MHz | W_o | 24 W |
| Transconductance | S | 25 mA/V |
| Amplification factor | μ | 100 |
| Construction | metal-ceramic | |

HEATING: Indirect by A.C., parallel supply.

| | | | |
|----------------------|-------|---------------|-------|
| Heater voltage | V_f | 6.0 V | 1) 2) |
| Heater current | I_f | 0.9 to 1.05 A | |
| Cathode heating time | T_h | min. 1 min | |

CAPACITANCES

| | | | |
|-----------------------------------------------|----------|--------------|----|
| Anode to cathode | C_{ak} | < 0.035 | pF |
| Anode to grid | C_{ag} | 1.95 to 2.15 | pF |
| Grid to cathode | C_{gk} | 5.6 to 7.0 | pF |
| Anode to cathode ($V_f = 6.0$ V, $I_k = 0$) | C_{ak} | < 0.045 | pF |
| Grid to cathode ($V_f = 6.0$ V, $I_k = 0$) | C_{gk} | 7.5 | pF |

TYPICAL CHARACTERISTICS

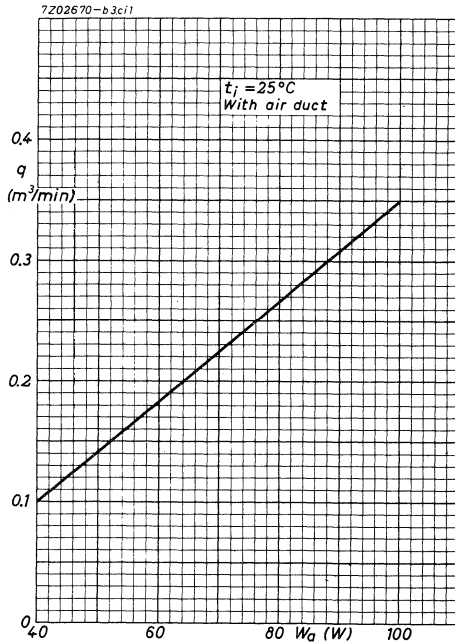
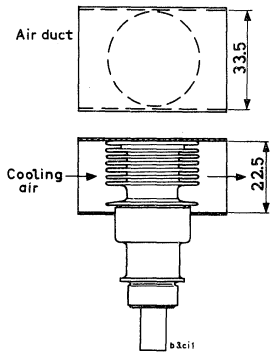
| | | |
|----------------------|-------|---------------|
| Anode voltage | V_a | 600 V |
| Cathode resistor | R_k | 30 Ω |
| Anode current | I_a | 60 to 95 mA |
| Transconductance | S | 20 to 30 mA/V |
| Amplification factor | μ | 100 |

1) The heater voltage should be reduced to a value depending on the cathode current and frequency. See curve on page 6. The maximum fluctuation should not exceed $\pm 5\%$.

2) For pulsed operation, 6 V is normally required for preheating. For C.W. operation preheating should be effected at the voltage indicated by the curve for $f = 500$ MHz on page 6. In the case of power-off periods of up to 5 s or C.W. operation with $V_a = \text{max. } 300$ V and $I_k = \text{max. } 30$ mA, preheating is not necessary.

COOLING

At maximum anode dissipation, an air duct of the dimensions indicated below being used and the inlet temperature being 25 °C, an air flow of approx. 350 l/min should be directed at the radiator. If necessary, the other surfaces should be cooled as well with a low-velocity air flow. As the ventilation system has to be adapted to the particular transmitter in which the tube will be used, it cannot be furnished as an accessory.



LIFE EXPECTANCY

The life of the tube depends on the operating conditions and particularly on the tube temperature and the anode voltage. It is therefore recommended that the tube output required be attained with the lowest possible anode voltage, and that the tube temperature be kept as low as possible by adequate cooling.

LIMITING VALUES (Absolute max. rating system)

| | | | | |
|--------------------------------|-----------|-------|------|-----|
| Frequency | f | up to | 3000 | MHz |
| Anode voltage (unmodulated) | V_a | max. | 1000 | V |
| Anode voltage (100% modulated) | V_a | max. | 600 | V |
| Anode dissipation | W_a | max. | 100 | W |
| Grid voltage, negative | $-V_g$ | max. | 150 | V |
| negative peak | $-V_{gp}$ | max. | 400 | V |
| positive peak | V_{gp} | max. | 30 | V |
| Grid dissipation | W_g | max. | 2 | W |
| Grid current | I_g | max. | 50 | mA |
| Cathode current | I_k | max. | 125 | mA |
| Envelope temperature | t_{env} | max. | 300 | °C |
| → Altitude | h | max. | 20 | km |

OPERATING CHARACTERISTICSC.W. Oscillator

| | | | | |
|----------------|-------|------|------|-----|
| Frequency | f | 2500 | 2500 | MHz |
| Heater voltage | V_f | 4.5 | 4.5 | V |
| Anode voltage | V_a | 600 | 800 | V |
| Anode current | I_a | 100 | 100 | mA |
| Grid current | I_g | 10 | 8 | mA |
| Output power | W_o | 16 | 24 | W |

Frequency doubler

| | | | |
|------------------|----------|-----------|-----|
| Frequency | f | 1000/2000 | MHz |
| Heater voltage | V_f | 5.6 | V |
| Anode voltage | V_a | 400 | V |
| Grid voltage | V_g | -15 | V |
| Anode current | I_a | 55 | mA |
| Grid input power | W_{ig} | 1.5 | W |
| Output power | W_o | 5.2 | W |

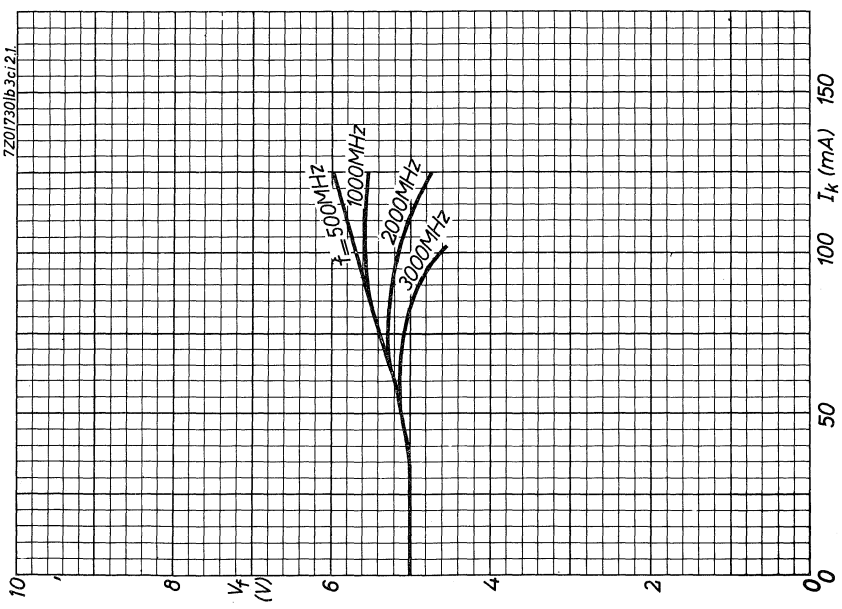
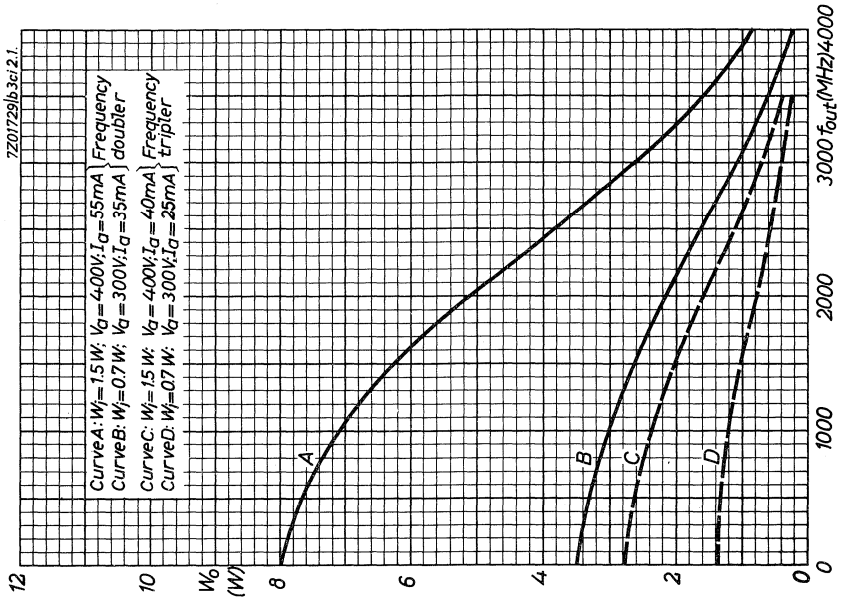
ANODE PULSED OSCILLATOR

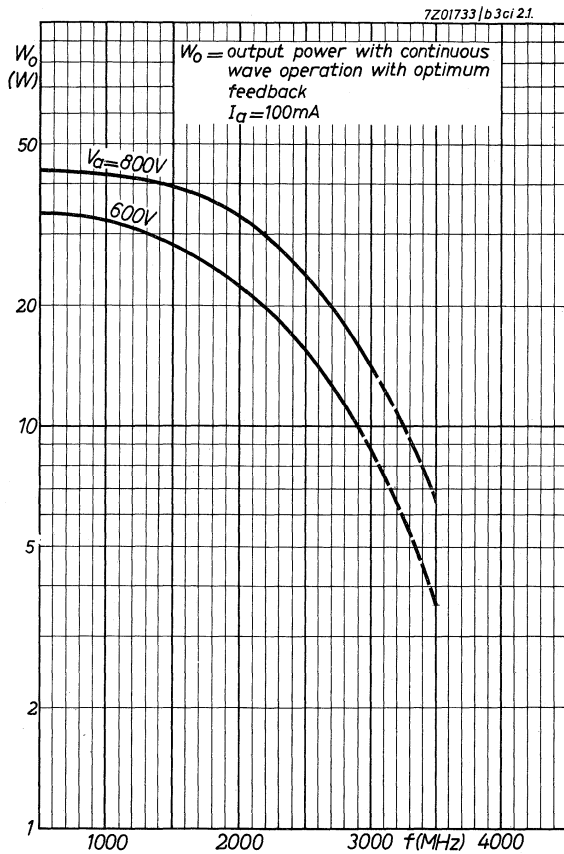
LIMITING VALUES (Absolute max. rating system)

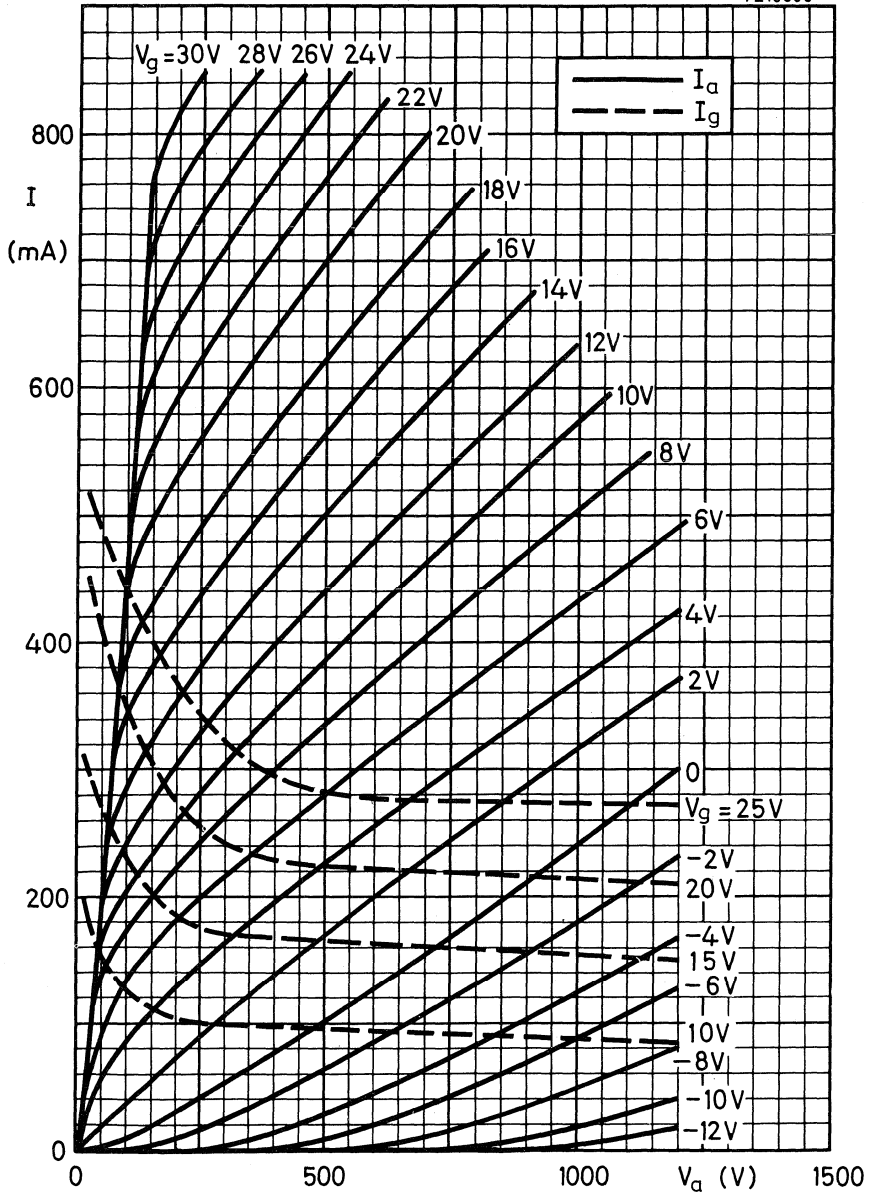
| | | | | |
|------------------------|-----------|------|--------|-------------|
| Frequency | f | max. | 3000 | MHz |
| Pulse duration | T_{imp} | max. | 3 | μs |
| Duty cycle | δ | max. | 0.0025 | |
| Anode voltage, peak | V_{ap} | max. | 3500 | V |
| Anode current, peak | I_{ap} | max. | 3 | A |
| Anode dissipation | W_a | max. | 27 | W |
| Grid voltage, negative | $-V_g$ | max. | 150 | V |
| negative peak | $-V_{gp}$ | max. | 750 | V |
| positive peak | V_{gp} | max. | 250 | V |
| Grid voltage, peak | I_{gp} | max. | 1.8 | A |
| Grid dissipation | W_g | max. | 2 | W |
| Envelope temperature | t_{env} | max. | 300 | $^{\circ}C$ |
| Altitude | h | max. | 20 | km ← |

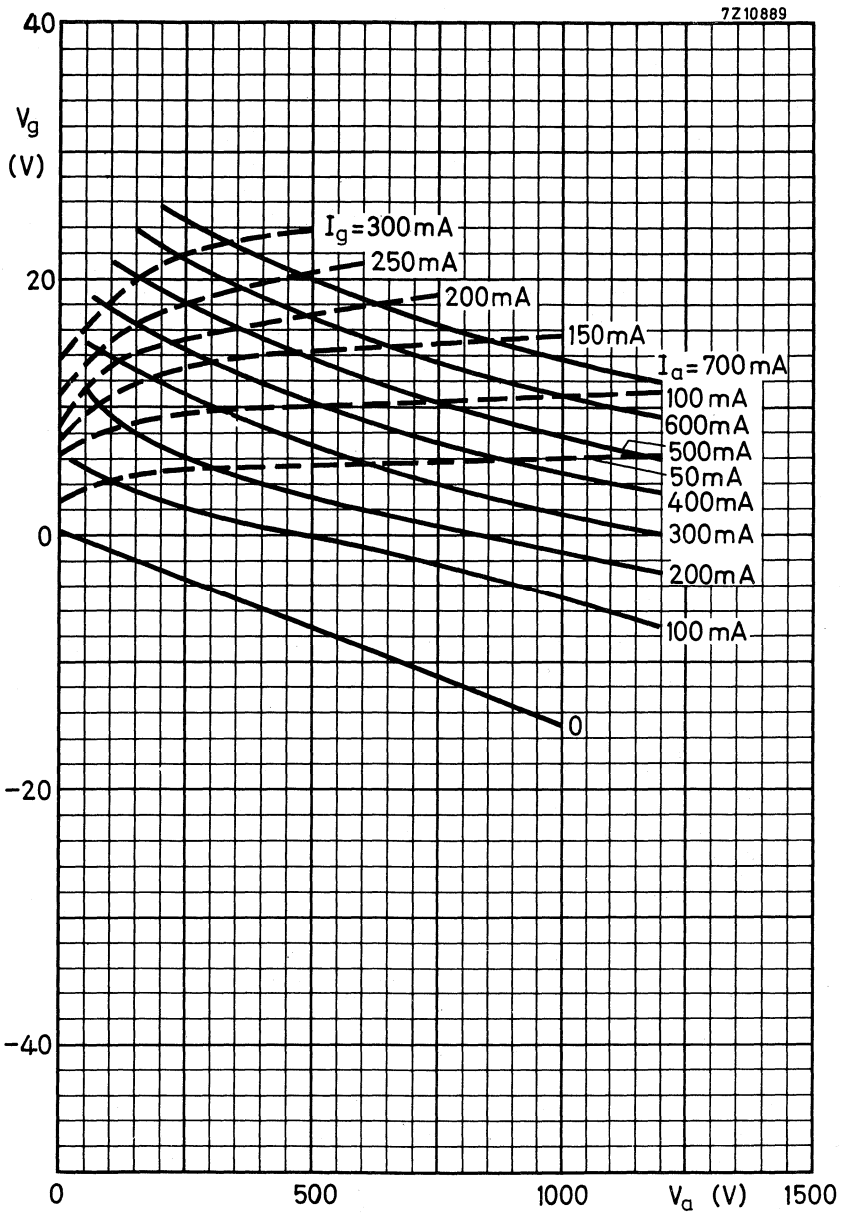
OPERATING CHARACTERISTICS

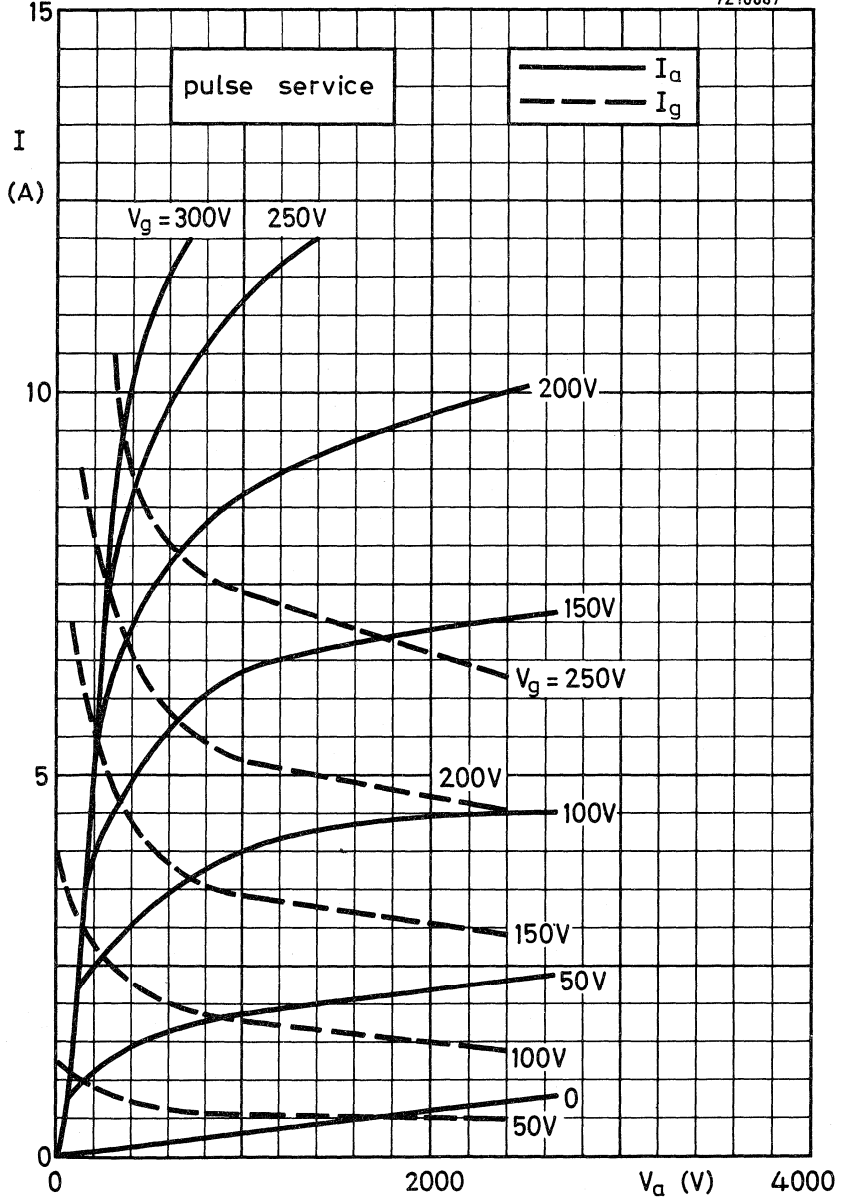
| | | | |
|---------------------|-----------|--------|---------|
| Frequency | f | 3000 | MHz |
| Pulse duration | T_{imp} | 3 | μs |
| Duty cycle | δ | 0.0025 | |
| Heater voltage | V_f | 5.8 | V |
| Anode voltage, peak | V_{ap} | 3500 | V |
| Anode current | I_a | 7.5 | mA |
| Grid current | I_g | 4.5 | mA |
| Output power, peak | W_{op} | 2 | kW |

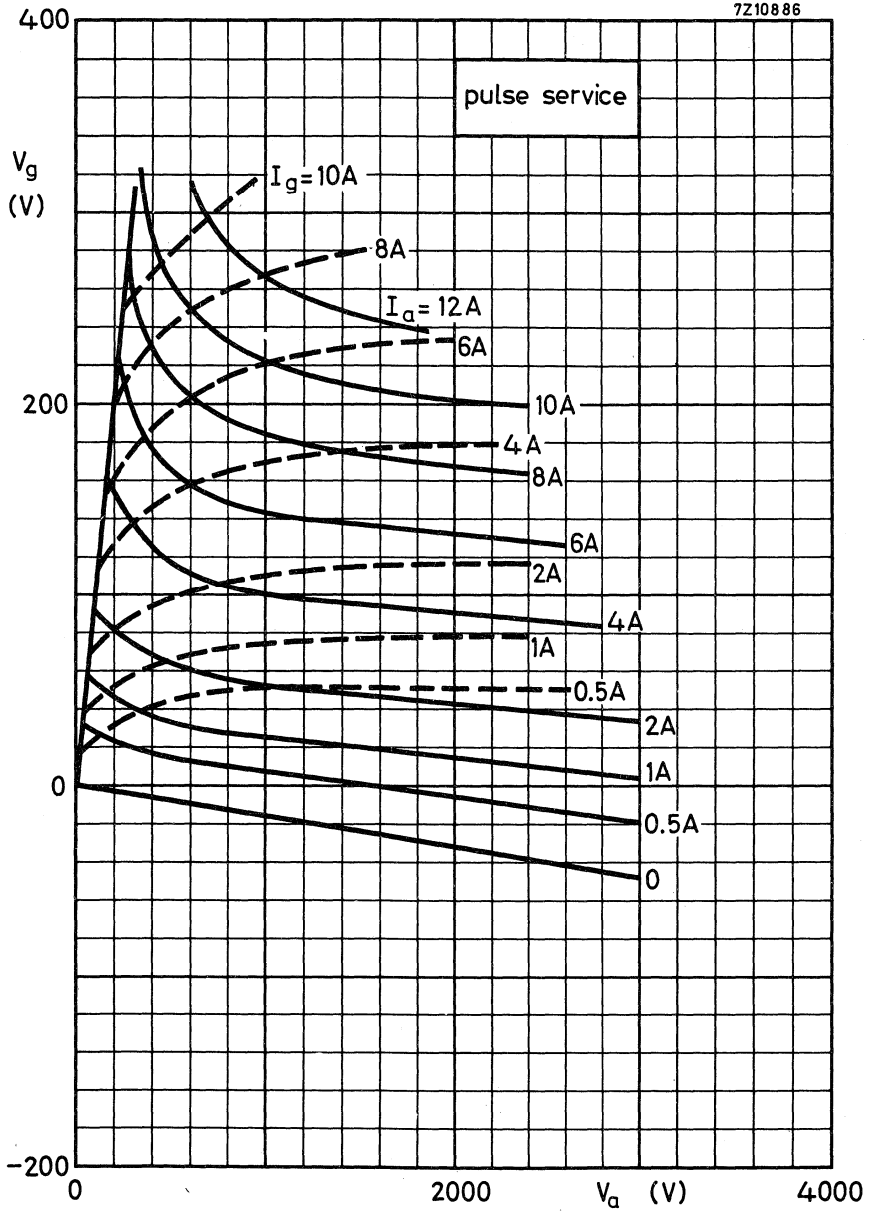












DISC SEAL TRIODE

Disc seal triode for use as power amplifier, oscillator or frequency multiplier for frequencies up to 4.3 GHz.

The 8108 is a ruggedized tube and is suitable for use at altitudes up to 18 km.

Mounting torque: max. 15 cmkg

For further data refer to data EC157

T-R Switches

DUAL T-R SWITCH

Broad band gas-filled dual T-R switch covering the 8490 to 9580 MHz frequency band. It consists basically of two single switches forming one unit with a common flange arrangement. The 56032 is designed for operation in slot-hybrid duplexers, based on waveguide RG-52/U(WR90).

ELECTRICAL DATA

LIMITING VALUES (Absolute max. rating system) AND CHARACTERISTICS

| | | | |
|--------------------------------------------------------------|------|------|-----------------|
| Peak power | min. | 3 | kW |
| | max. | 250 | kW |
| Ignitor D.C. supply voltage | min. | -600 | V ¹⁾ |
| Ignitor current | max. | 200 | μ A |
| Ignitor voltage drop at an
ignitor current of 100 μ A | min. | 170 | V |
| | max. | 300 | V |

LOW-LEVEL CHARACTERISTICS

| | | | | |
|-------------------------------------------|---------------------|------|-----|----|
| Voltage standing-wave ratio ²⁾ | at 8490 MHz | max. | 1.4 | |
| | at 9580 MHz | max. | 1.4 | |
| | at 8560 to 9490 MHz | max. | 1.2 | |
| Duplexer loss ³⁾ | at 8490 MHz | max. | 1.1 | dB |
| | at 9580 MHz | max. | 1.1 | dB |
| | at 8560 to 9490 MHz | max. | 1.0 | dB |

HIGH-LEVEL CHARACTERISTICS ³⁾

| | | | |
|----------------------|------|-----|------------|
| Flat leakage power | max. | 15 | mW |
| Spike leakage energy | max. | 15 | nJ |
| | | | (0.15 erg) |
| Arc loss | max. | 1.0 | dB |
| Recovery time | max. | 7.0 | μ s |

- 1) The ignitor voltage shall be applied to each electrode via a suitable resistor giving 80 to 150 μ A ignitor current.
- 2) When measuring the V. S. W. R. the short-slot hybrids used shall have a V. S. W. R. of 1.10 max. over the specified frequency band. Each hybrid shall split the power evenly to within 0.25 dB and shall have a minimum isolation of 25 dB.
- 3) 100 μ A D.C. through each ignitor electrode.

MECHANICAL DATA

Mounting position

any

Dimensions

See Fig. 1

Net weight

175 g

Accessories (supplied with switch)

2 gaskets, Fig. 3

Mating flange

See Fig. 2

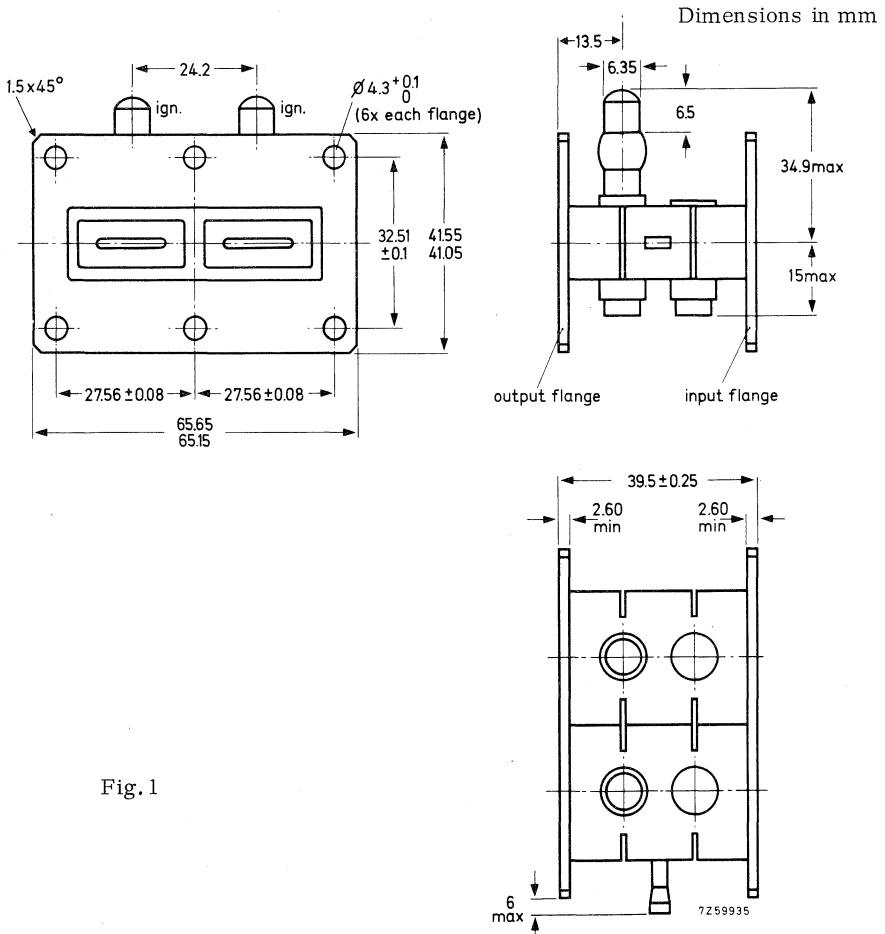
A gasket should be placed between each flange and the mating flanges of the short-slot hybrid junctions. See Figs. 2 and 3.

Pressurization

max. 3.5 kg/cm²
min. 0.5 kg/cm²

Altitude

max. 3 km



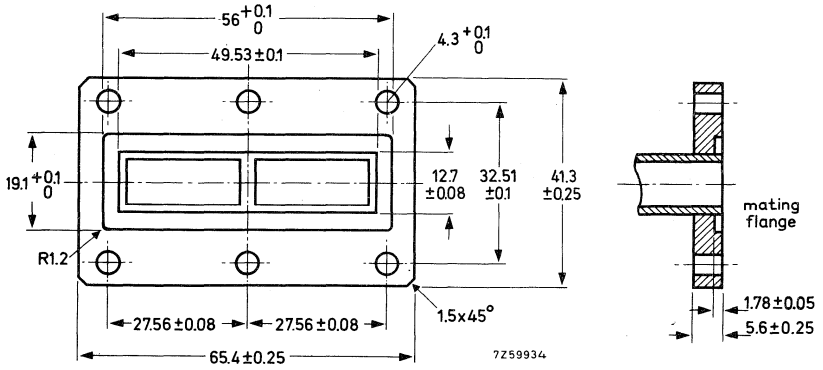


Fig. 2 Gasket assembly

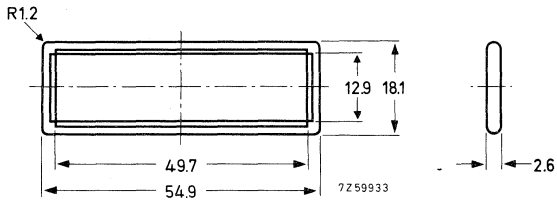


Fig. 3 Gasket

APPENDIX

Microwave devices



Microwave devices

| | |
|------------------------------|-----------|
| Survey | page D2 |
| ISOLATORS, general | page D3 |
| Waveguide isolators | page D7 |
| Coaxial isolators | page D49 |
| CIRCULATORS, general | page D59 |
| Waveguide 3 port circulators | page D65 |
| Waveguide 4 port circulators | page D83 |
| Coaxial 3 port circulators | page D103 |

SURVEY

| WAVEGUIDE ISOLATORS | | WAVEGUIDE 4 PORT CIRCULATORS | |
|------------------------------|------------------|------------------------------|------------------|
| frequency | catalogue number | frequency | catalogue number |
| 3.65 - 3.95 GHz | 2722 161 01011 | 5.925- 6.175 GHz | 2722 161 03081 |
| 3.8 - 4.2 GHz | 01081 | 5.925- 6.175 GHz | 03071 |
| 3.8 - 4.2 GHz | 01071 | 6.125- 6.425 GHz | 03021 |
| 3.9 - 4.2 GHz | 01021 | 6.125- 6.425 GHz | 03091 |
| 4.2 - 4.6 GHz | 01091 | 6.575- 6.875 GHz | 03031 |
| 4.6 - 5.0 GHz | 01101 | 6.825- 7.125 GHz | 03011 |
| 5.925- 6.425 GHz | 01191 | 7.125- 7.425 GHz | 03001 |
| 6.425- 7.150 GHz | 01251 | 7.425- 7.725 GHz | 03041 |
| 6.825- 7.425 GHz | 01231 | 10.700-11.700 GHz | 03061 |
| 7.125- 7.750 GHz | 01291 | 12.500-13.500 GHz | 03051 |
| 7.125- 7.750 GHz | 01281 | | |
| 7.25 - 7.75 GHz | 01241 | COAXIAL 3 PORT CIRCULATORS | |
| 7.400- 8.025 GHz | 01151 | frequency | catalogue number |
| 7.7 - 8.5 GHz | 01161 | 170- 200 MHz | 2722 162 01191 |
| 7.7 - 8.5 GHz | 01051 | 200- 230 MHz | 01201 |
| 8.5 - 9.6 GHz | 01211 | 370- 402 MHz | 01221 |
| 8.5 - 9.6 GHz | 01221 | 406- 470 MHz | 01051 |
| 8.5 - 9.6 GHz | 01261 | 406- 470 MHz | 01151 |
| 8.5 - 9.6 GHz | 01271 | 445- 485 MHz | 01231 |
| 10.7 -11.7 GHz | 01171 | 450- 550 MHz | 01091 |
| 12.5 -13.5 GHz | 01181 | 470- 590 MHz | 01251 |
| COAXIAL ISOLATORS | | 470- 600 MHz | 01061 |
| frequency | catalogue number | 470- 600 MHz | 01121 |
| 0.740- 0.810 GHz | 2722 162 02001 | 590- 720 MHz | 01131 |
| 0.890- 0.970 GHz | 02011 | 590- 720 MHz | 01071 |
| 1.48 - 1.95 GHz | 02041 | 590- 720 MHz | 01171 |
| 2.96 - 3.22 GHz | 02021 | 608- 783 MHz | 01101 |
| 3.56 - 3.90 GHz | 02031 | 710- 860 MHz | 01081 |
| WAVEGUIDE 3 PORT CIRCULATORS | | 710- 860 MHz | 01141 |
| frequency | catalogue number | 710- 860 MHz | 01181 |
| 3.4 - 3.7 GHz | 2722 161 02031 | 710- 860 MHz | 01241 |
| 3.6 - 3.9 GHz | 02041 | 1900-2300 MHz | 01001 |
| 3.6 - 4.2 GHz | 02001 | 2200-3000 MHz | 01041 |
| 3.6 - 4.2 GHz | 02011 | 2500-4000 MHz | 01211 |
| 5.925- 6.425 GHz | 02051 | 3600-4300 MHz | 01111 |
| 5.925- 6.425 GHz | 02101 | | |
| 6.425- 7.125 GHz | 02081 | | |
| 7.125- 7.750 GHz | 02091 | | |
| 7.7 - 8.5 GHz | 02021 | | |

On the following pages the various components are arranged according to catalogue numbers.

INTRODUCTION

An isolator is a passive non-reciprocal device which permits microwave energy to pass through it in one direction whilst absorbing energy in the reverse direction.

In the forward direction, that is the direction in which the energy is passed, the insertion loss is usually 0.3 to 0.5 dB in the frequency range for which the isolator has been designed. In the opposite direction the isolation is normally 30 dB but for certain applications isolation can be made as high as 55 to 60 dB.

In the field displacement type of isolator, which is described underneath, a ferrite bar is mounted in a waveguide and biased by a magnetic field. The non-reciprocal behaviour of this type of isolator is produced by gyromagnetic effects which occur between the high frequency magnetic field and the electrons in the ferrite.

For the coaxial isolators in this section, which are coaxial 3-port circulators with a matched load on one port, we refer to section "Circulators, general". ←

APPLICATION

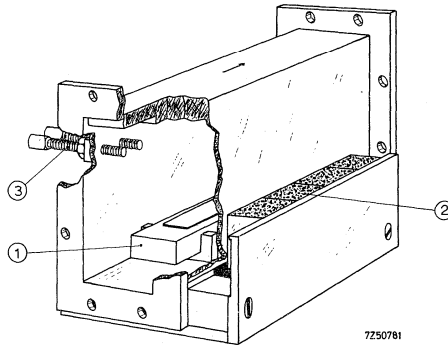
The main application of an isolator is to improve the behaviour of klystrons, magnetrons or travelling wave tubes by isolating the source from the load. The main factor is that an antenna or amplifier can not be ideally matched to the preceding function over the required frequency range so that energy would be reflected back into the tube and upset the frequency stability. The isolator will absorb this reflected energy so that the tube is effectively protected from these disturbing influences.

The isolators, provided with matching screws, offer the possibility to match the isolator so that over a certain frequency range the VSWR is minimum. It is therefore possible to optimise the efficiency of waveguide runs by matching the isolator to minimum reflection. This means that long line effects can be drastically reduced.

CONSTRUCTION

Waveguide isolator

In the fig. below a field displacement isolator is shown. In the waveguide the ferrite bar (1) can be seen, flanked by two sets of magnets (2) outside the waveguide. These magnets bias the ferrite bar.



Field displacement type of isolator

The screws (3) protruding into the waveguide are used to match the isolator for minimum voltage standing wave ratio.

→ Coaxial isolator

For construction and mounting see section "Circulators, general" at Fig.8.

TERMS AND DEFINITIONS

Frequency range is the range within which the isolator meets the guaranteed specification.

Outside this range the electrical properties deteriorate rapidly.

Isolation is the ratio, expressed in dB, of the input power to the output power in the reverse direction, measured with matched source and matched load.

Insertion loss is the attenuation resulting from the insertion of an isolator into a transmission system, expressed in dB, of the power delivered to a matched load before insertion of the isolator, to the power delivered to that load after insertion of the isolator.

Voltage standing wave ratio (VSWR) is the ratio of the maximum to the minimum voltages along the line.

Typical data. These data are derived by taking the mean measured values of several production runs of the component.

→ Maximum power is the largest power that may be passed through the isolator in forward direction into a load with a VSWR of 2.

Temperature range is the ambient temperature range within which the isolators function to specification.

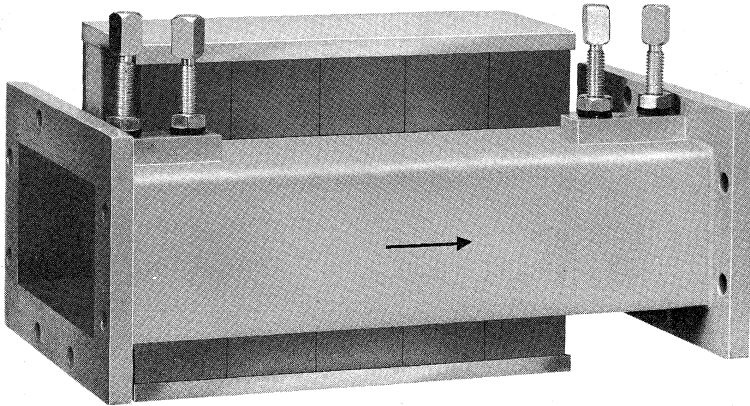
The isolator will continue to function outside the given temperature range, but some of its characteristics may change.

The storage temperature of the isolators may be from $-40\text{ }^{\circ}\text{C}$ to $+125\text{ }^{\circ}\text{C}$.

CAUTION

The isolators have rather strong internal magnetic fields which are carefully adjusted for optimal operation. They are not to be subjected to strong external magnetic fields.

ISOLATOR



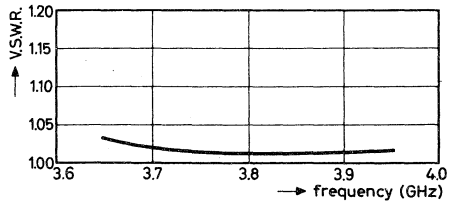
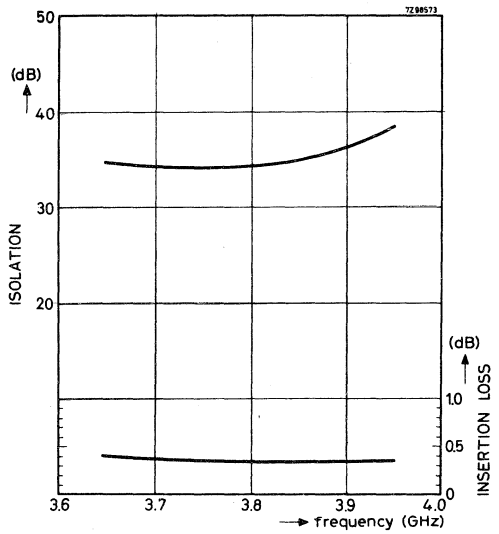
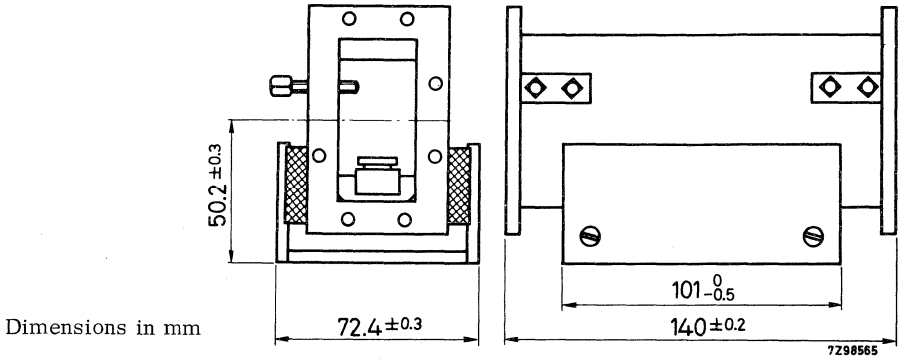
RZ 21478-5

ELECTRICAL DATA

| | |
|----------------------|---------------------------------------------|
| Frequency range | 3.65-3.95 GHz |
| Isolation | > 30 dB |
| Insertion loss | < 0.5 dB |
| V.S.W.R. | < 1.05 |
| Nominal power (c.w.) | 15 W |
| Temperature range | +10 to +70 °C |
| | For other temperature ranges please inquire |

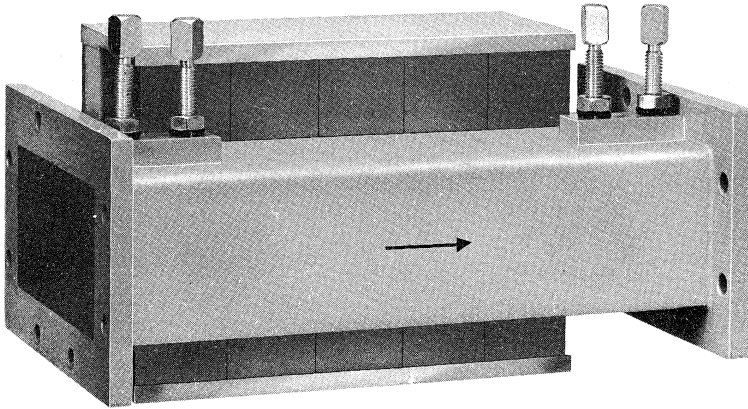
MECHANICAL DATA

| | |
|---------------------------------|----------------------------------------|
| Material | brass |
| Waveguide type | R40 (I.E.C.) |
| Flange type | UER40 (I.E.C.); other flanges to order |
| Finish of waveguide and flanges | goldplated upon silverplated |
| | outside enamelled grey |
| | nickel standard mat |
| | of magnet system |



Typical performance as a function of frequency at a working temperature of 20 °C.

ISOLATOR



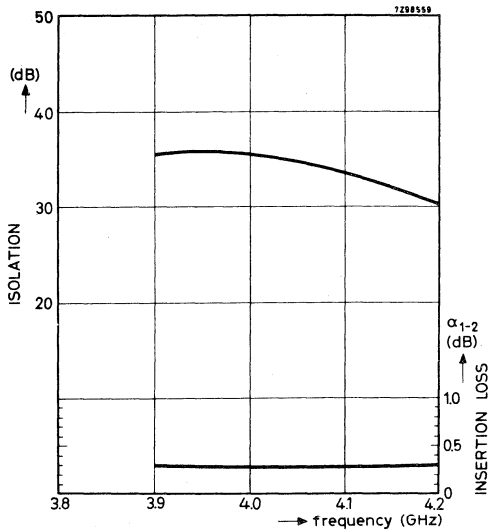
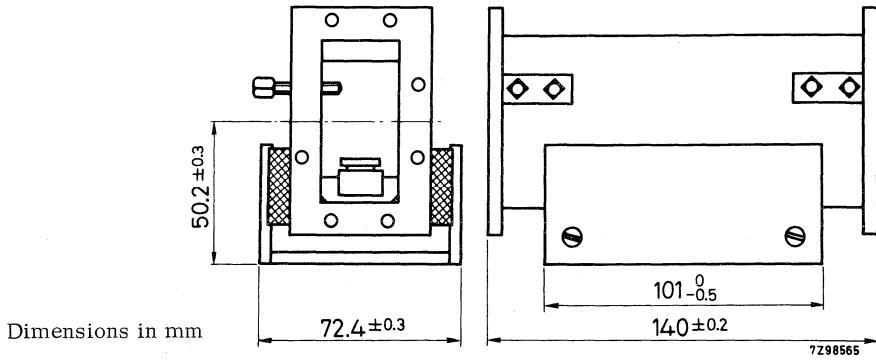
RZ 21478-5

ELECTRICAL DATA

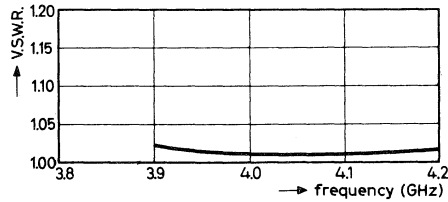
| | |
|----------------------|---------------------------------------------|
| Frequency range | 3.9-4.2 GHz |
| Isolation | > 30 dB |
| Insertion loss | < 0.5 dB |
| V.S.W.R. | < 1.05 |
| Nominal power (c.w.) | 15 W |
| Temperature range | +10 to +80 °C |
| | For other temperature ranges please inquire |

MECHANICAL DATA

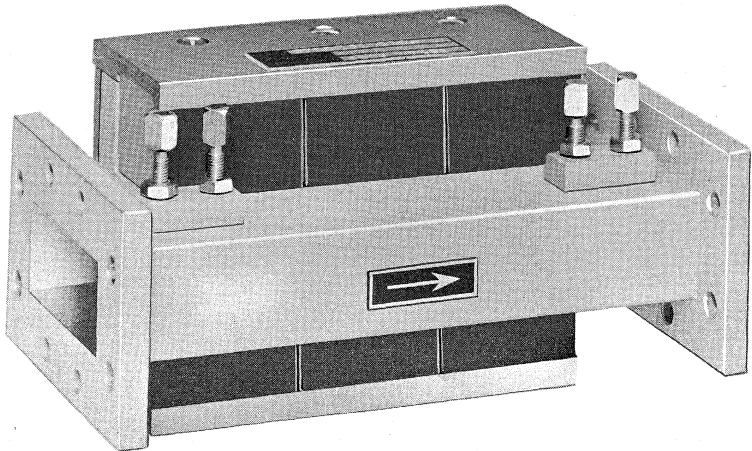
| | |
|---------------------------------|----------------------------------------|
| Material | brass |
| Waveguide type | R40 (I.E.C.) |
| Flange type | UER40 (I.E.C.); other flanges to order |
| Finish of waveguide and flanges | goldplated upon silverplated |
| | outside enamelled grey |
| | nickel standard mat |
| | of magnet system |



Typical performance as a function of frequency at a working temperature of 20 °C.



ISOLATOR



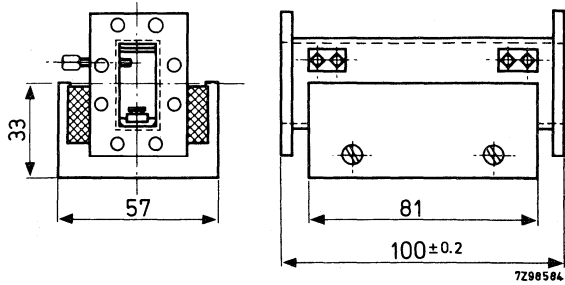
RZ 25233-3

ELECTRICAL DATA

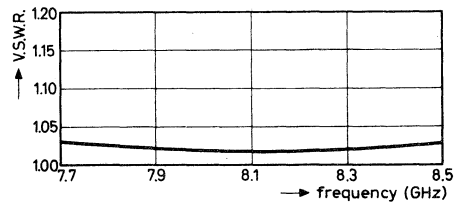
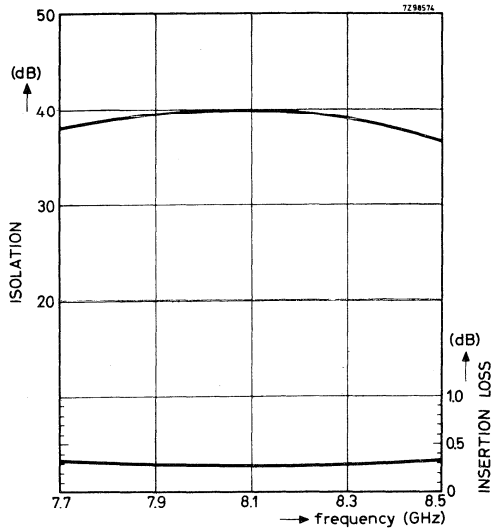
| | |
|----------------------|---------------------------------------------|
| Frequency range | 7.7-8.5 GHz |
| Isolation | > 30 dB |
| Insertion loss | < 0.5 dB |
| V.S.W.R. | < 1.05 |
| Nominal power (c.w.) | 10 W |
| Temperature range | +10 to +70 °C |
| | For other temperature ranges please inquire |

MECHANICAL DATA

| | |
|---------------------------------|--------------------------------------------------------|
| Material | brass |
| Waveguide type | R84 (I.E.C.) |
| Flange type | UER84 (I.E.C.); other flanges to order |
| Finish of waveguide and flanges | goldplated upon silverplated
outside enamelled grey |
| | nickel standard mat |
| of magnet system | |
| Weight | 1260 g |



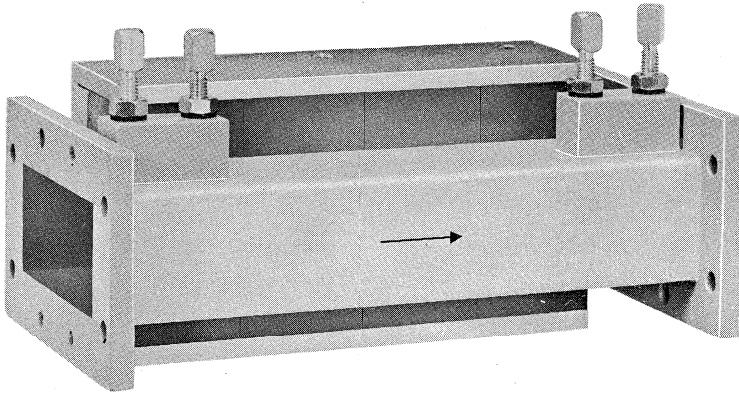
Dimensions in mm



Typical performance as a function of frequency at a working temperature of 20 °C.

ISOLATOR

RZ 21478-21

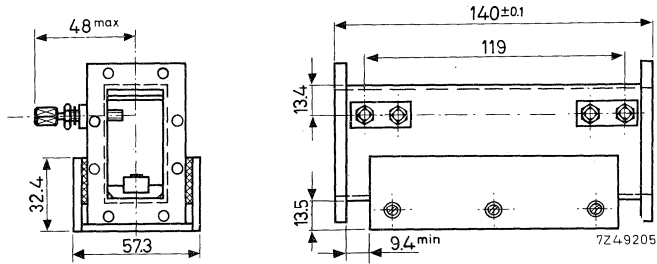


ELECTRICAL DATA

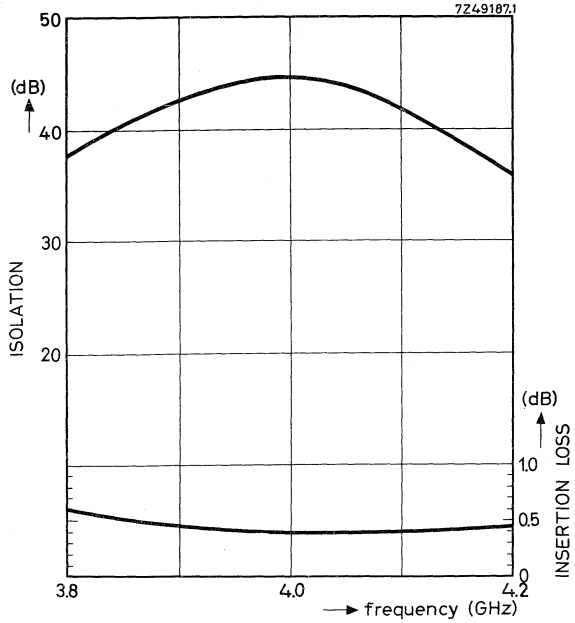
| | |
|----------------------|---------------------------------------------|
| Frequency range | 3.8 - 4.2 GHz |
| Isolation | > 30 dB |
| Insertion loss | < 0.8 dB |
| V.S.W.R. | < 1.05 |
| Nominal power (c.w.) | 10 W |
| Temperature range | +10 to +40 °C |
| | For other temperature ranges please inquire |

MECHANICAL DATA

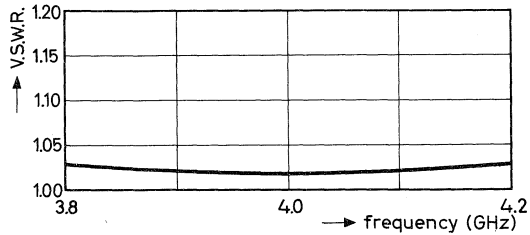
| | |
|---------------------------------|--------------------------------------------------------|
| Material | brass |
| Waveguide type | R 48 (I.E.C.) |
| Flange type | UER 48 (I.E.C.); other flanges to order |
| Finish of waveguide and flanges | goldplated upon silverplated
outside enamelled grey |
| of magnet system | nickel standard mat |
| Weight | 1700 g |



Dimensions in mm.

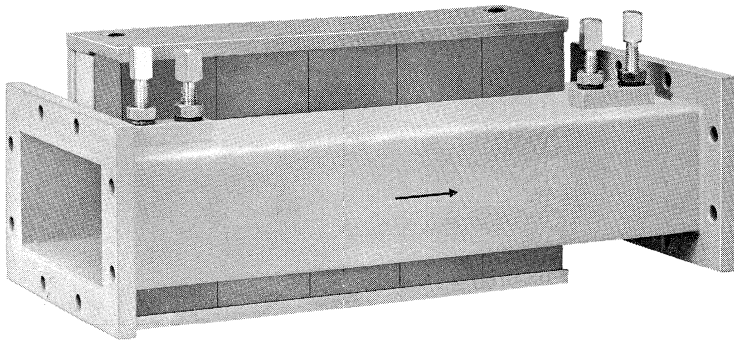


Typical performance as a function of frequency at a working temperature of 20 °C.



ISOLATOR

RZ 21478-22



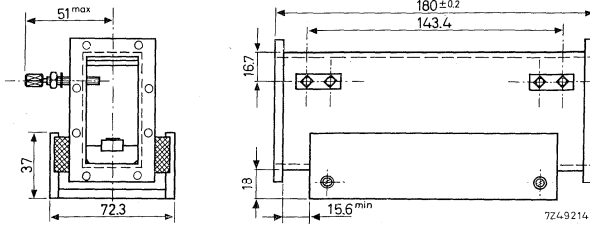
ELECTRICAL DATA

| | |
|----------------------|---------------|
| Frequency range | 3.8-4.2 GHz |
| Isolation | > 30 dB |
| Insertion loss | < 0.5 dB |
| V.S.W.R. | < 1.05 |
| Nominal power (c.w.) | 10 W |
| Temperature range | +10 to +80 °C |

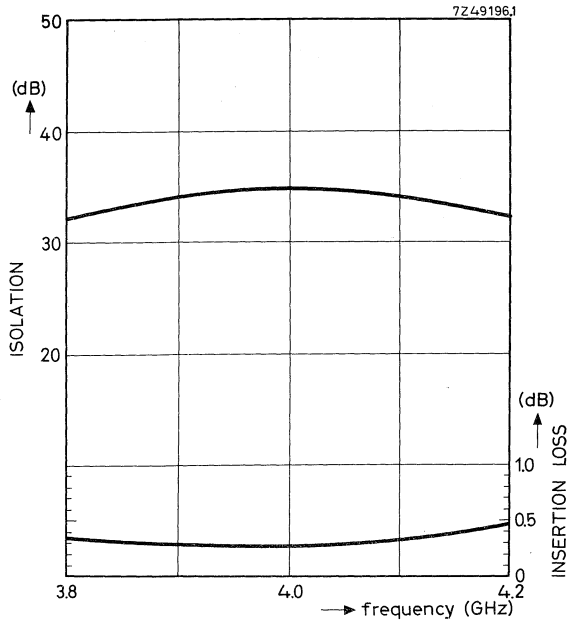
For other temperature ranges please inquire

MECHANICAL DATA

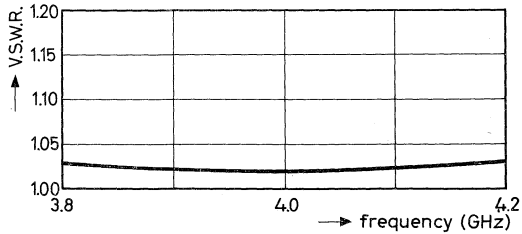
| | |
|---------------------------------|--------------------------------------------------------|
| Material | brass |
| Waveguide type | R 40 (I.E.C.) |
| Flange type | UER 40 (I.E.C.); other flanges to order |
| Finish of waveguide and flanges | goldplated upon silverplated
outside enamelled grey |
| of magnet system | nickel standard mat |
| Weight | 2450 g |



Dimensions in mm.

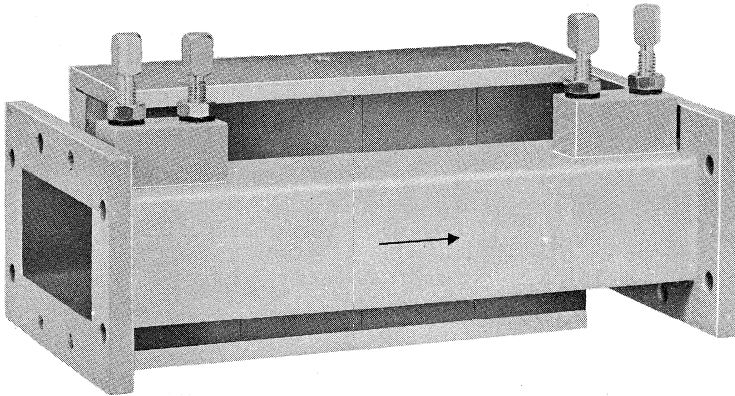


Typical performance as a function of frequency at a working temperature of 20 °C.



ISOLATOR

RZ 2147R-21



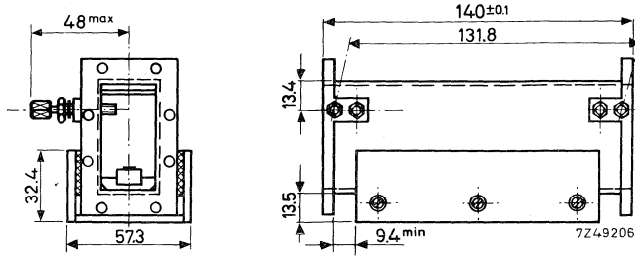
ELECTRICAL DATA

| | |
|----------------------|----------------|
| Frequency range | 4.2-4.6 GHz |
| Isolation | > 30 dB |
| Insertion loss | < 0.5 dB |
| V.S.W.R. | < 1.05 |
| Nominal power (c.w.) | 10 W |
| Temperature range | + 10 to +40 °C |

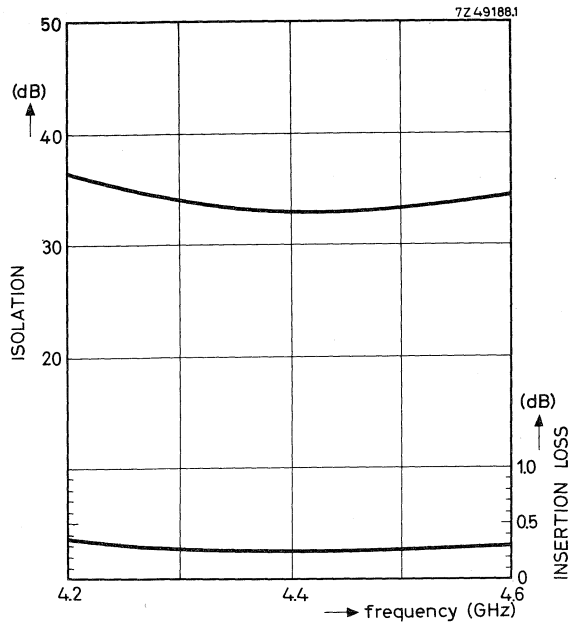
For other temperature ranges please inquire

MECHANICAL DATA

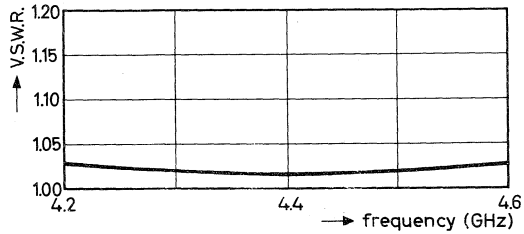
| | |
|---------------------------------|--------------------------------------------------------|
| Material | brass |
| Waveguide type | R 48 (I.E.C.) |
| Flange type | UER 48 (I.E.C.); other flanges to order |
| Finish of waveguide and flanges | goldplated upon silverplated
outside enamelled grey |
| of magnet system | nickel standard mat |
| Weight | 1680 g |



Dimensions in mm.

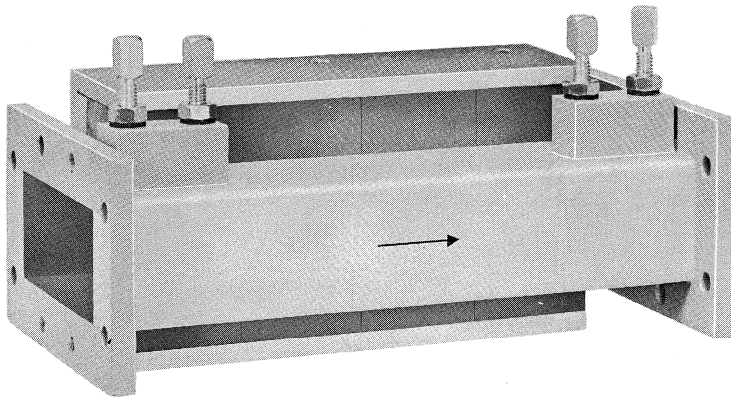


Typical performance as a function of frequency at a working temperature of 20 °C.



ISOLATOR

RZ 21478-21

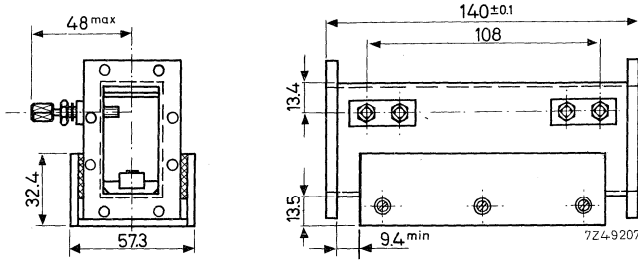


ELECTRICAL DATA

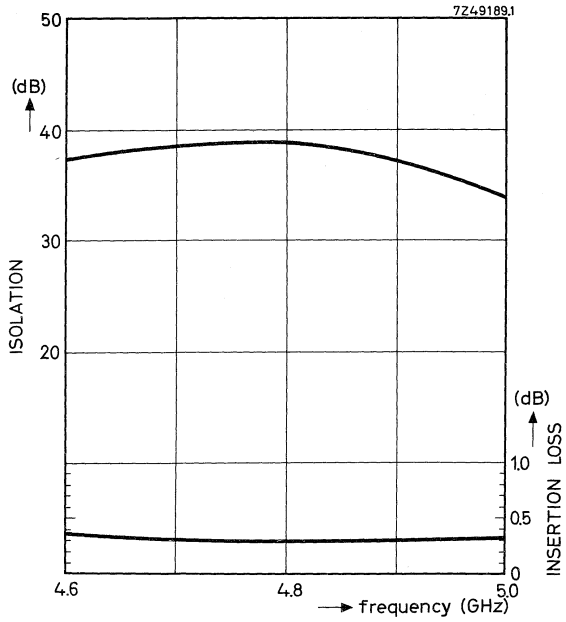
| | |
|----------------------|---------------------------------------------|
| Frequency range | 4.6 - 5.0 GHz |
| Isolation | > 30 dB |
| Insertion loss | < 0.8 dB |
| V.S.W.R. | < 1.05 |
| Nominal power (c.w.) | 10 W |
| Temperature range | +10 to +40 °C |
| | For other temperature ranges please inquire |

MECHANICAL DATA

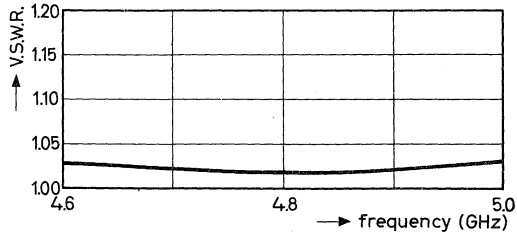
| | |
|---------------------------------|--------------------------------------------------------|
| Material | brass |
| Waveguide type | R 48 (I.E.C.) |
| Flange type | UER 48 (I.E.C.); other flanges to order |
| Finish of waveguide and flanges | goldplated upon silverplated
outside enamelled grey |
| of magnet system | nickel standard mat |
| Weight | 1680 g |



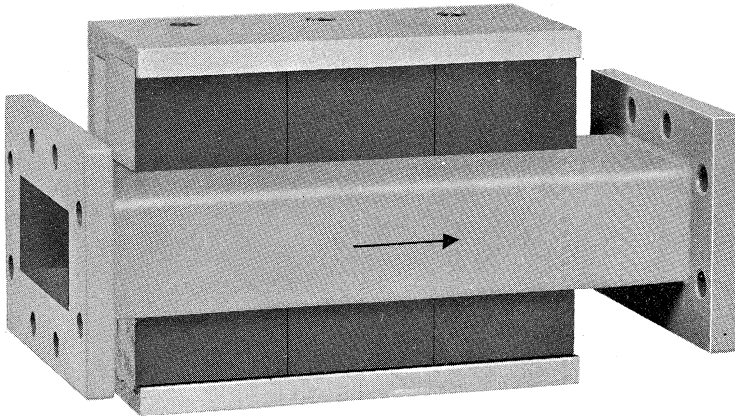
Dimensions in mm.



Typical performance as a function of frequency at a working temperature of 20 °C.



ISOLATOR



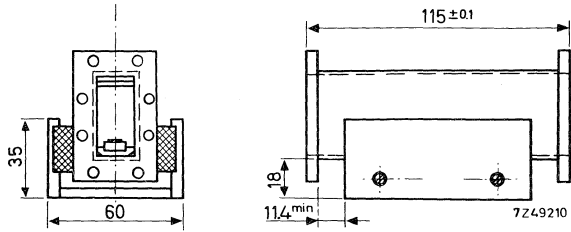
RZ 21478-16

ELECTRICAL DATA

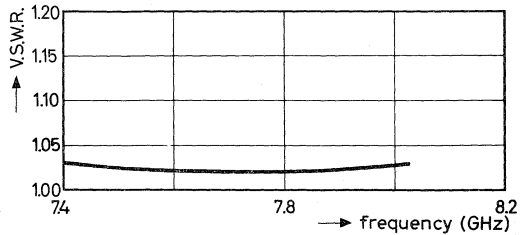
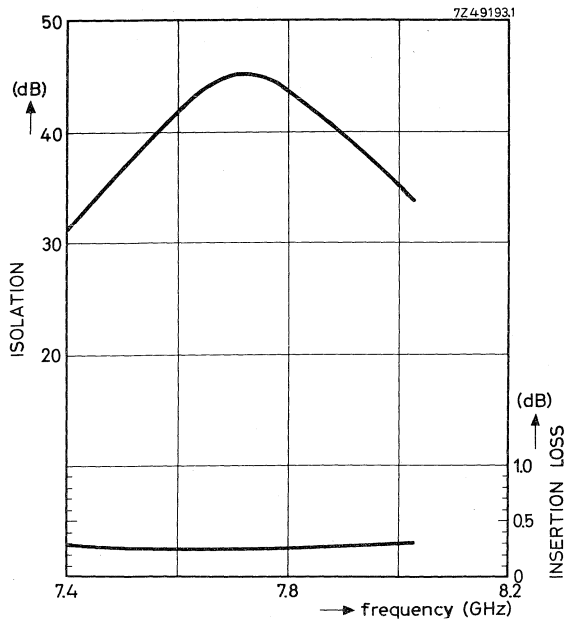
| | |
|----------------------|---------------------------------------------|
| Frequency range | 7.4-8.025 GHz |
| Isolation | > 30 dB |
| Insertion loss | < 0.5 dB |
| V.S.W.R. | < 1.05 |
| Nominal power (c.w.) | 10 W |
| Temperature range | -10 to +70 °C |
| | For other temperature ranges please inquire |

MECHANICAL DATA

| | |
|---------------------------------|----------------------------------------|
| Material | brass |
| Waveguide type | R70 (I.E.C.) |
| Flange type | UER70 (I.E.C.); other flanges to order |
| Finish of waveguide and flanges | goldplated upon silverplated |
| of magnet system | outside enamelled grey |
| Weight | nickel standard mat
1450 g |

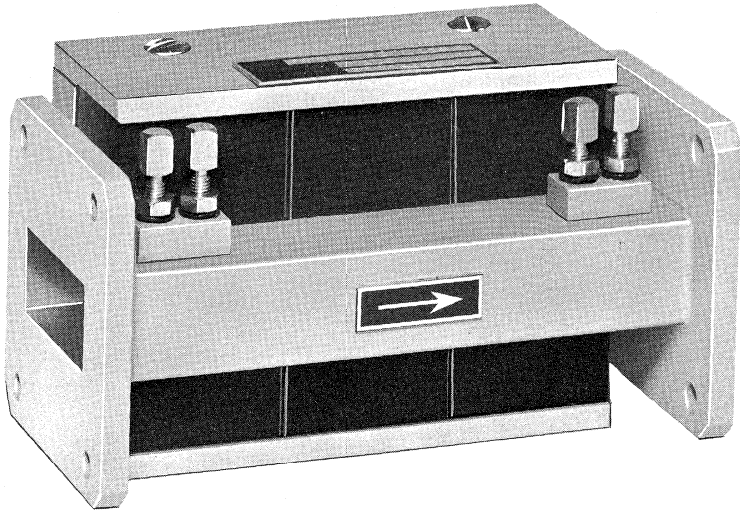


Dimensions in mm



Typical performance as a function of frequency at a working temperature of 20 °C.

ISOLATOR



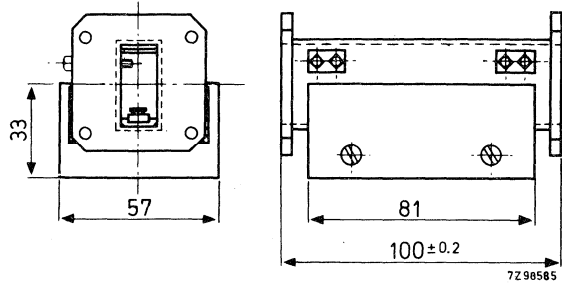
RZ 25233-12

ELECTRICAL DATA

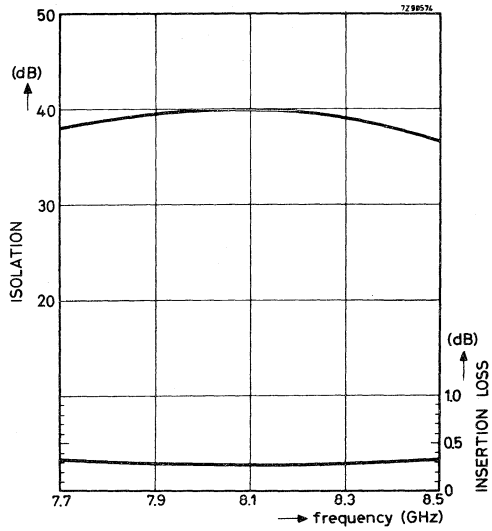
| | |
|----------------------|---------------------------------------------|
| Frequency range | 7.7-8.5 GHz |
| Isolation | > 30 dB |
| Insertion loss | < 0.5 dB |
| V.S.W.R. | < 1.05 |
| Nominal power (c.w.) | 10 W |
| Temperature range | +10 to +70 °C |
| | For other temperature ranges please inquire |

MECHANICAL DATA

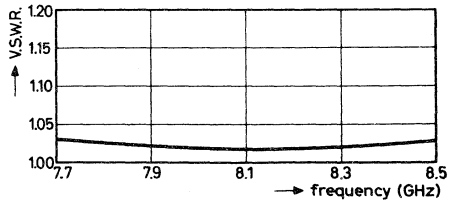
| | |
|---------------------------------|----------------------------------------|
| Material | brass |
| Waveguide type | R84 (I.E.C.) |
| Flange type | UBR84 (I.E.C.); other flanges to order |
| Finish of waveguide and flanges | goldplated upon silverplated |
| | outside enamelled grey |
| | nickel standard mat |
| of magnet system | |
| Weight | 1260 g |



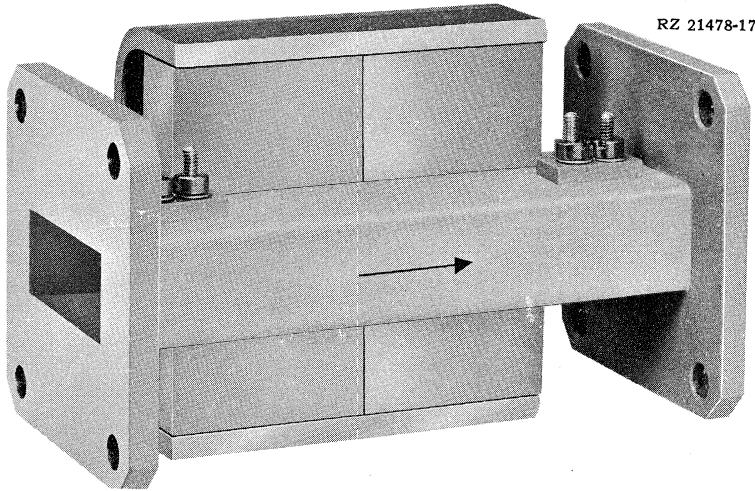
Dimensions in mm



Typical performance as a function of frequency at a working temperature of 20 °C.



ISOLATOR



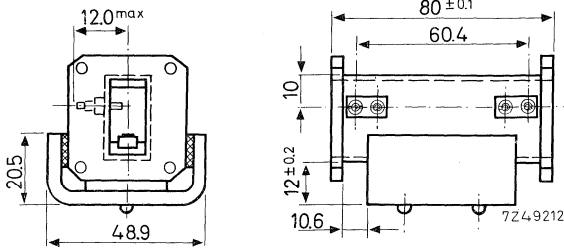
RZ 21478-17

ELECTRICAL DATA

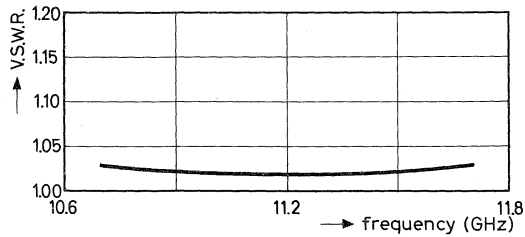
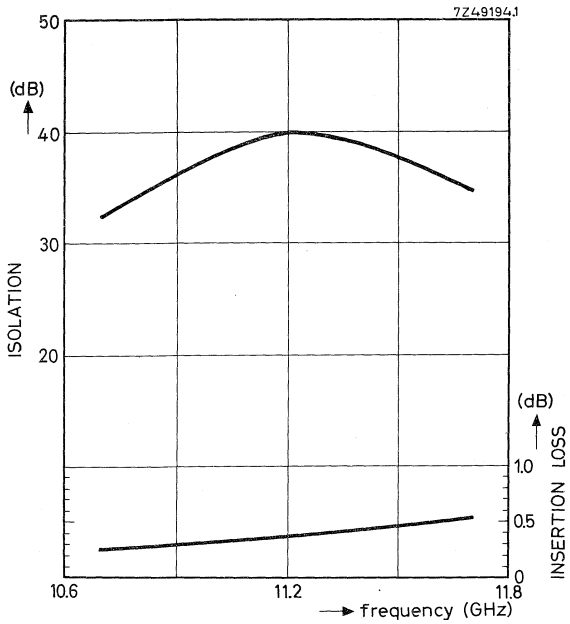
| | |
|----------------------|---------------------------------------------|
| Frequency range | 10.7 - 11.7 GHz |
| Isolation | > 30 dB |
| Insertion loss | < 0.8 dB |
| V.S.W.R. | < 1.05 |
| Nominal power (c.w.) | 5 W |
| Temperature range | +10 to +70 °C |
| | For other temperature ranges please inquire |

MECHANICAL DATA

| | |
|---------------------------------|------------------------------------------|
| Material | brass |
| Waveguide type | R 100 (I.E.C.) |
| Flange type | UBR 100 (I.E.C.); other flanges to order |
| Finish of waveguide and flanges | goldplated upon silverplated |
| | outside enamelled grey |
| | nickel standard mat |
| of magnet system | |
| Weight | 430 g |

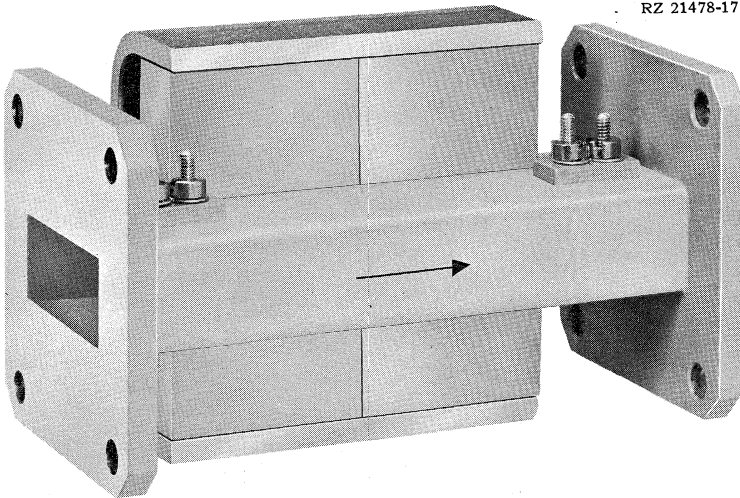


Dimensions in mm.



Typical performance as a function of frequency at a working temperature of 20 °C.

ISOLATOR



RZ 21478-17

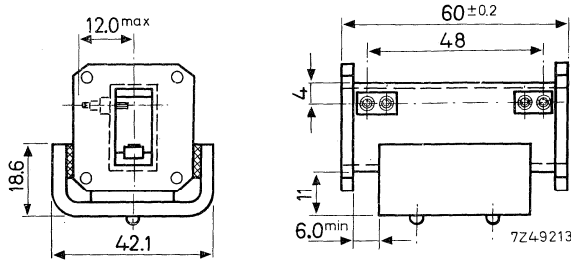
ELECTRICAL DATA

| | |
|----------------------|---------------------------------------------|
| Frequency range | 12.5-13.5 GHz |
| Isolation | > 30 dB |
| Insertion loss | < 0.5 dB |
| V.S.W.R. | < 1.05 |
| Nominal power (c.w.) | 10 W |
| Temperature range | +10 to +70 °C |
| | For other temperature ranges please inquire |

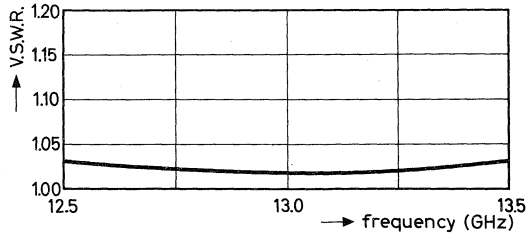
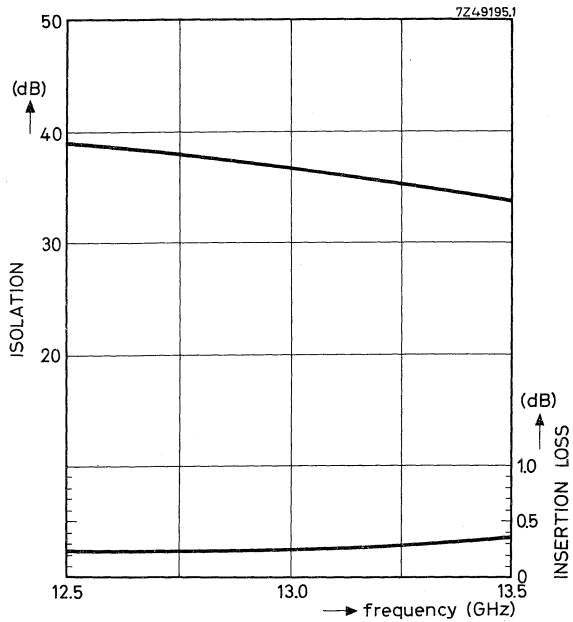
MECHANICAL DATA

| | |
|---------------------------------|-------------------------------------------------------------------------------|
| Material | brass |
| Waveguide type | R 140 (I.E.C.) |
| Flange type | UBR 140 (I.E.C.); other flanges to order |
| Finish of waveguide and flanges | goldplated upon silverplated
outside enamelled grey
nickel standard mat |
| Weight | 220 g |

of magnet system

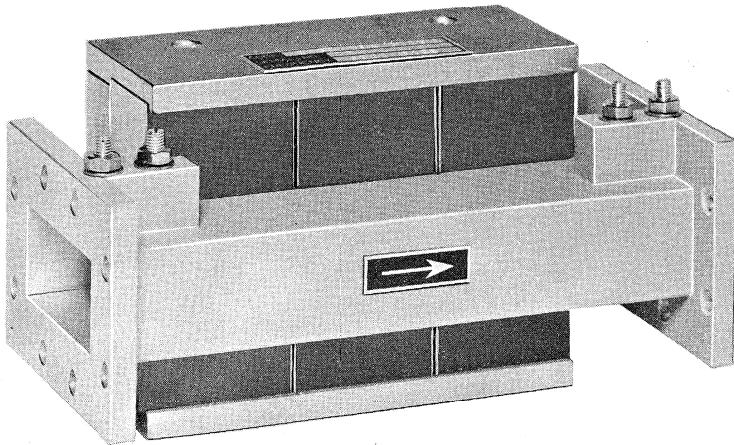


Dimensions in mm.



Typical performance as a function of frequency at a working temperature of 20 °C.

ISOLATOR



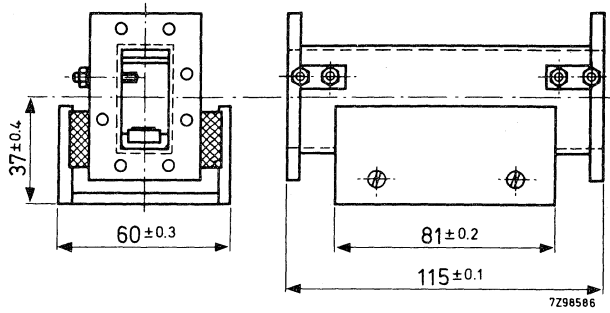
RZ 25233-15

ELECTRICAL DATA

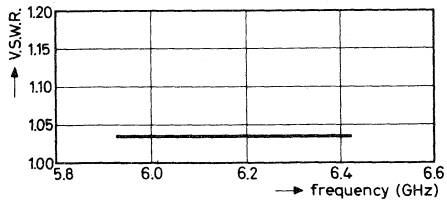
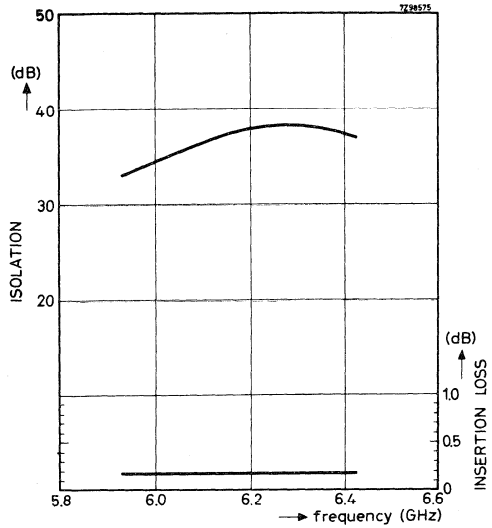
| | |
|----------------------|---------------------------------------------|
| Frequency range | 5.925-6.425 GHz |
| Isolation | > 30 dB |
| Insertion loss | < 0.3 dB |
| V.S.W.R. | < 1.05 |
| Nominal power (c.w.) | 20 W |
| Temperature range | -10 to +70 °C |
| | For other temperature ranges please inquire |

MECHANICAL DATA

| | |
|---------------------------------|--------------------------------------------------------|
| Material | brass |
| Waveguide type | R70 (I.E.C.) |
| Flange type | UER70 (I.E.C.); other flanges to order |
| Finish of waveguide and flanges | goldplated upon silverplated
outside enamelled grey |
| of magnet system | nickel standard mat |
| Weight | 1450 g |

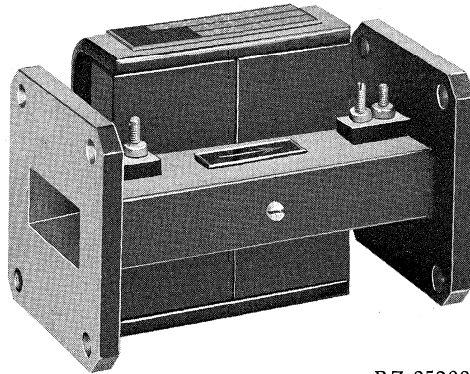


Dimensions in mm



Typical performance as a function of frequency at a working temperature of 20 °C.

ISOLATOR



RZ 25233-11

ELECTRICAL DATA

| | |
|----------------------|---------------------------------------------|
| Frequency range | 8.5-9.6 GHz |
| Isolation | > 30 dB |
| Insertion loss | < 0.5 dB |
| V.S.W.R. | < 1.05 |
| Nominal power (c.w.) | 10 W |
| Temperature range | -10 to +70 °C |
| | For other temperature ranges please inquire |

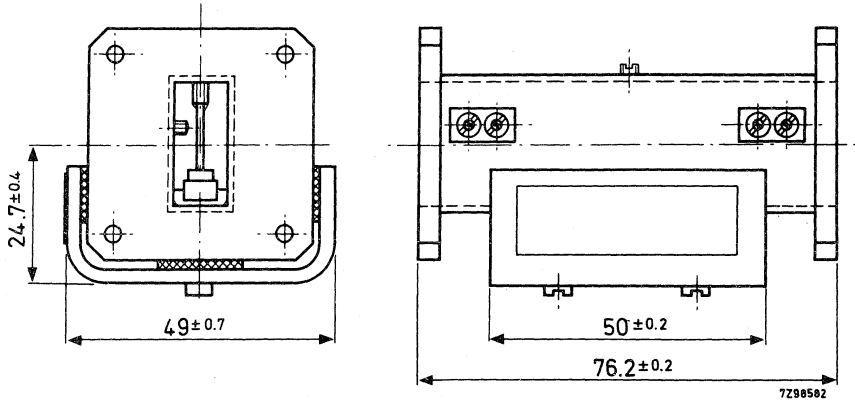
MECHANICAL DATA

| | |
|---------------------------------|-----------------------------------------|
| Material | brass |
| Waveguide type | R100 (I.E.C.) |
| Flange type | UBR100 (I.E.C.); other flanges to order |
| Finish of waveguide and flanges | nickelplated |
| | outside enamelled black |
| | nickel standard mat |
| of magnet system | |
| Weight | 420 g |

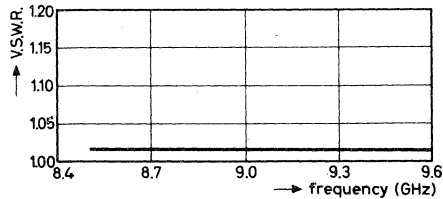
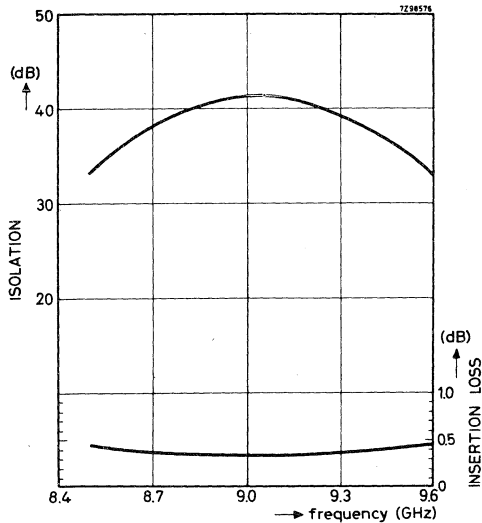
ENVIRONMENTAL DATA

The isolator withstands the following environmental tests of MIL-STD-202C:

- Moisture resistance, method 106B
- Temperature cycling, method 102A, condition D
- Thermal shock, method 107B, condition A
- Vibration, method 201A
- Shock, method 202B

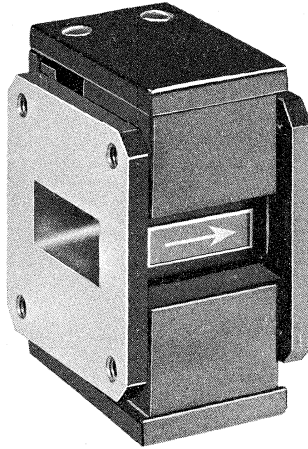


Dimensions in mm



Typical performance as a function of frequency at a working temperature of 20 °C.

ISOLATOR



RZ 25233-6

ELECTRICAL DATA

| | |
|----------------------|---------------------------------------------|
| Frequency range | 8.5-9.6 GHz |
| Isolation | > 15 dB |
| Insertion loss | < 0.6 dB |
| V.S.W.R. | < 1.15 |
| Nominal power (c.w.) | 1 W |
| Temperature range | +10 to +70 °C |
| | For other temperature ranges please inquire |

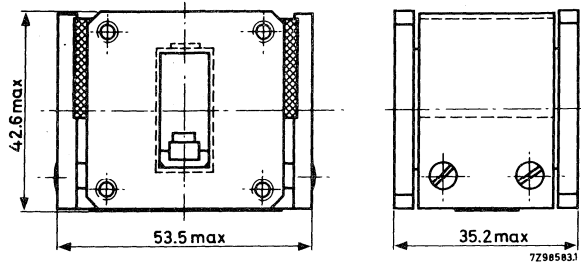
MECHANICAL DATA

| | |
|---------------------------------|-----------------------------------------|
| Material | brass |
| Waveguide type | R100 (I.E.C.) |
| Flange type | UBR100 (I.E.C.); other flanges to order |
| Finish of waveguide and flanges | nickelplated |
| | outside enamelled black |
| | nickel standard mat |
| of magnet system | |
| Weight | 400 g |

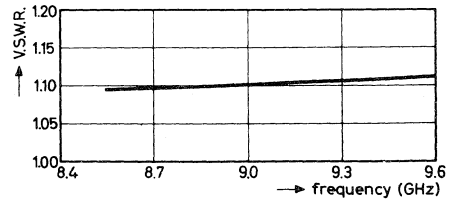
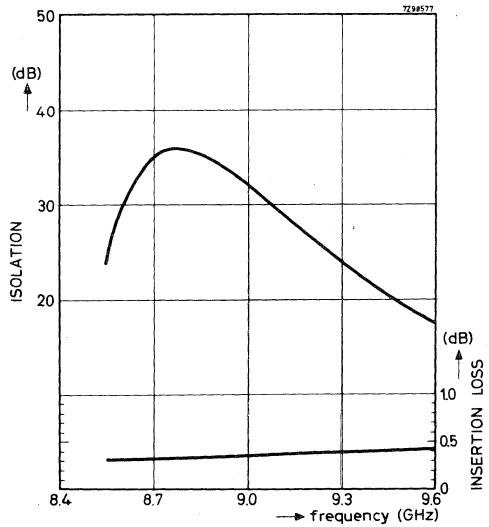
ENVIRONMENTAL DATA

The isolator withstands the following environmental tests of MIL-STD-202C:

- Moisture resistance, method 106B
- Temperature cycling, method 102A, condition D
- Thermal shock, method 107B, condition A
- Vibration, method 201A
- Shock, method 202B

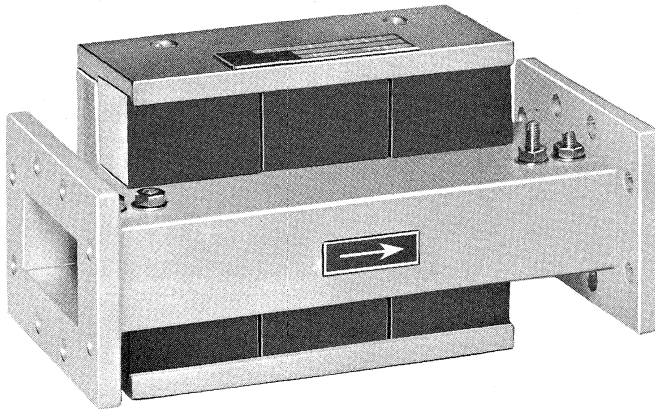


Dimensions in mm



Typical performance as a function of frequency at a working temperature of 20 °C.

ISOLATOR



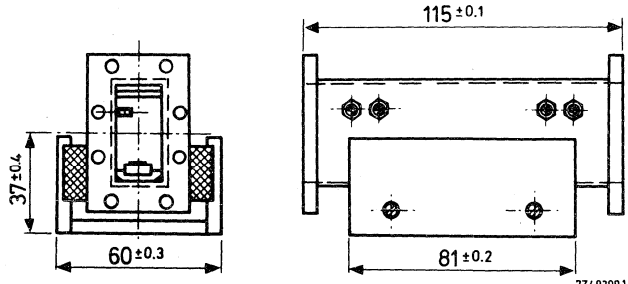
RZ 25233-16

ELECTRICAL DATA

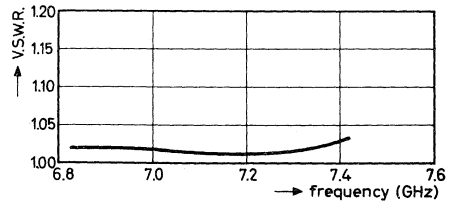
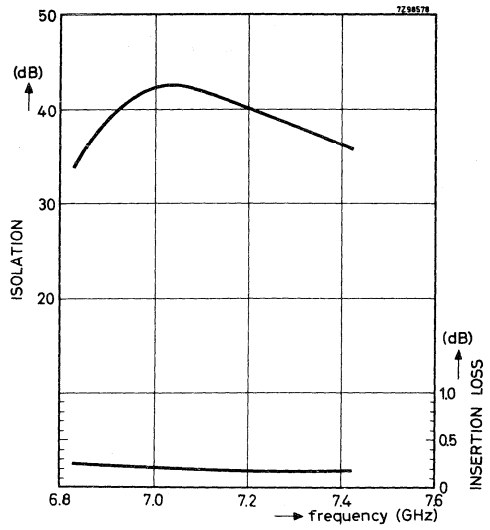
| | |
|----------------------|---------------------------------------------|
| Frequency range | 6.825-7.425 GHz |
| Isolation | > 30 dB |
| Insertion loss | < 0.3 dB |
| V.S.W.R. | < 1.05 |
| Nominal power (c.w.) | 20 W |
| Temperature range | -10 to +70 °C |
| | For other temperature ranges please inquire |

MECHANICAL DATA

| | |
|---------------------------------|--------------------------------------------------------|
| Material | brass |
| Waveguide type | R70 (I.E.C.) |
| Flange type | UER70 (I.E.C.); other flanges to order |
| Finish of waveguide and flanges | goldplated upon silverplated
outside enamelled grey |
| of magnet system | nickel standard mat |
| Weight | 1450 g |

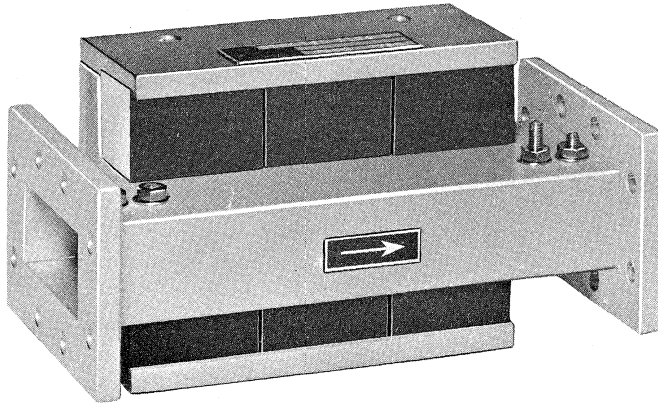


Dimensions in mm



Typical performance as a function of frequency at a working temperature of 20 °C.

ISOLATOR



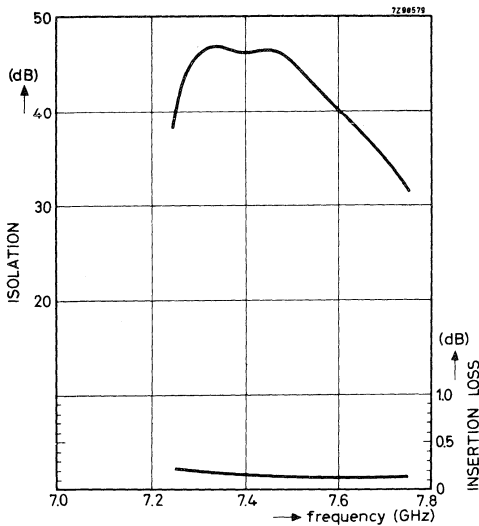
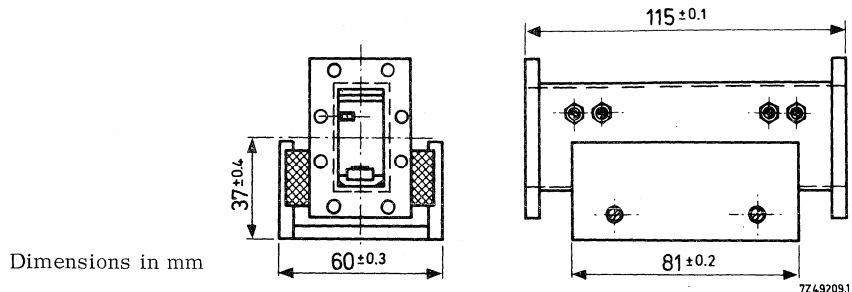
RZ 25233-16

ELECTRICAL DATA

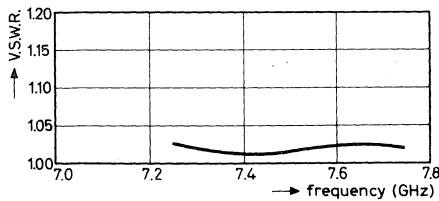
| | |
|----------------------|---------------------------------------------|
| Frequency range | 7.25-7.75 GHz |
| Isolation | > 30 dB |
| Insertion loss | < 0.3 dB |
| V.S.W.R. | < 1.05 |
| Nominal power (c.w.) | 20 W |
| Temperature range | -10 to +70 °C |
| | For other temperature ranges please inquire |

MECHANICAL DATA

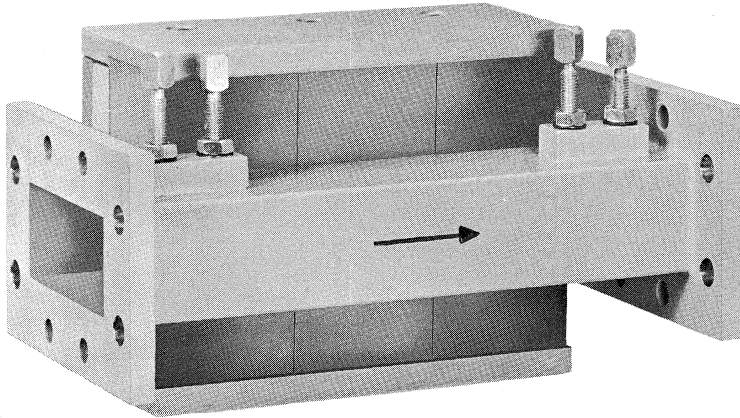
| | |
|---------------------------------|--------------------------------------------------------|
| Material | brass |
| Waveguide type | R70 (I.E.C.) |
| Flange type | UER70 (I.E.C.); other flanges to order |
| Finish of waveguide and flanges | goldplated upon silverplated
outside enamelled grey |
| | nickel standard mat |
| of magnet system | |
| Weight | 1450 g |



Typical performance as a function of frequency at a working temperature of 20 °C.



ISOLATOR



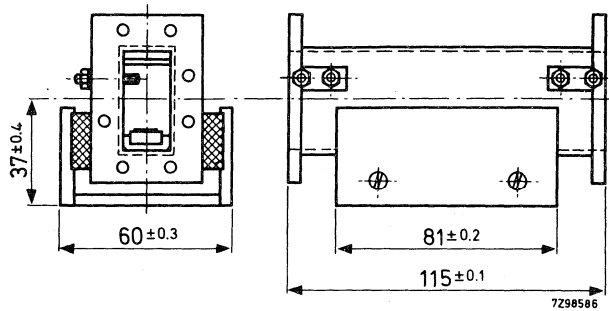
RZ 21478-11

ELECTRICAL DATA

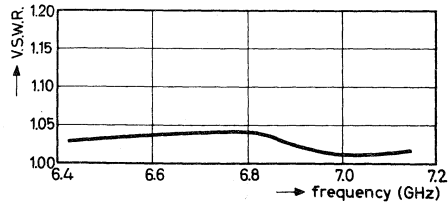
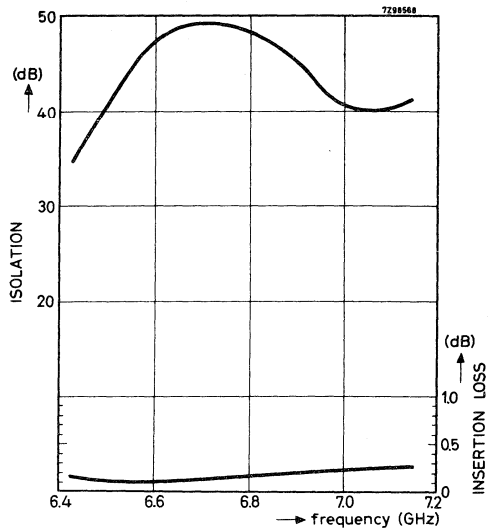
| | |
|----------------------|---------------------------------------------|
| Frequency range | 6.425-7.150 GHz |
| Isolation | > 30 dB |
| Insertion loss | < 0.3 dB |
| V.S.W.R. | < 1.05 |
| Nominal power (c.w.) | 20 W |
| Temperature range | -10 to +70 °C |
| | For other temperature ranges please inquire |

MECHANICAL DATA

| | |
|---------------------------------|--------------------------------------------------------|
| Material | brass |
| Waveguide type | R70 (I.E.C.) |
| Flange type | UER70 (I.E.C.); other flanges to order |
| Finish of waveguide and flanges | goldplated upon silverplated
outside enamelled grey |
| of magnet system | nickel standard mat |
| Weight | 1450 g |



Dimensions in mm



Typical performance as a function of frequency at a working temperature of 20 °C.

WAVEGUIDE ISOLATOR

Frequency 8.5 to 9.6 GHz

DIMENSIONS (in mm)

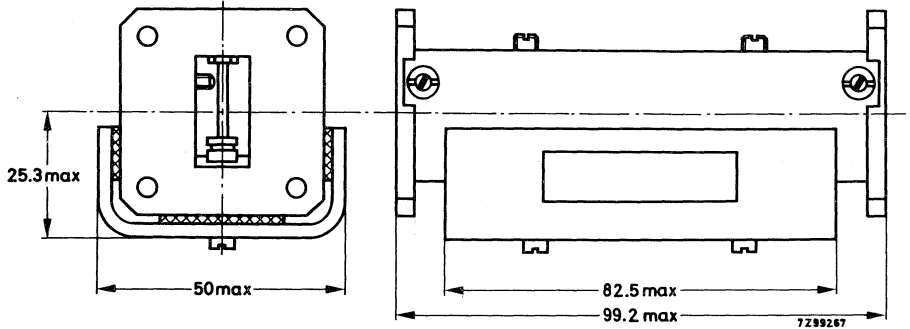


Fig. 1

ELECTRICAL DATA (see also Fig.2)

| | |
|-------------------|-------------------------------------------------|
| Frequency range | 8.5 to 9.6 GHz |
| Isolation | > 55 dB |
| Insertion loss | < 1.2 dB |
| V.S.W.R. | < 1.2 |
| Maximum power | 10 W |
| Temperature range | -10 to +70 °C |
| | For other temperature ranges
please inquire. |

MECHANICAL DATA

| | |
|----------------------------------|-----------------|
| Material of waveguide and flange | brass |
| Mating flange type | 154 IEC-UER 100 |
| Finish of flanges | nickel plated |
| Colour | black |
| Weight | 600 g. |

Typical performance as a function of frequency at an operating temperature of 20°C.

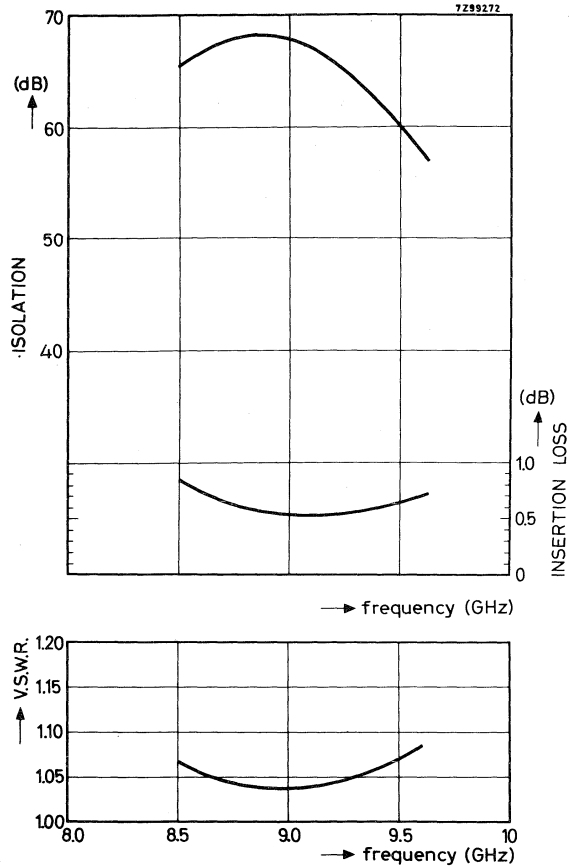


Fig. 2

ENVIRONMENTAL TESTS

The isolator withstands the following environmental tests of MIL-STD-202C

- Moisture resistance, method 106B
- Temperature cycling, method 102A, condition D
- Thermal shock, method 107B, condition A
- Vibration, method 201A
- Shock, method 202B

WAVEGUIDE ISOLATOR

Frequency 8.5 to 9.6 GHz

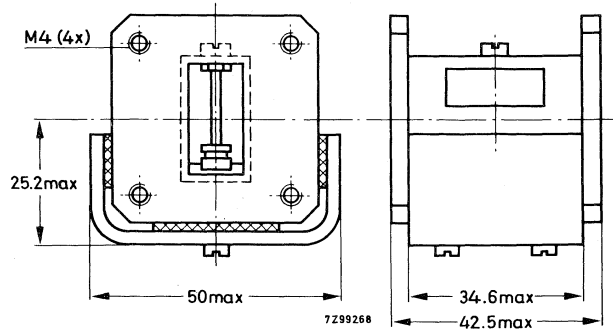
DIMENSIONS (in mm)

Fig.1

ELECTRICAL DATA (see also Fig.2)

| | |
|-------------------|---------------------------------------|
| Frequency range | 8.5 to 9.6 GHz |
| Isolation | > 20 dB |
| Insertion loss | < 1 dB |
| V.S.W.R. | < 1.15 |
| Maximum power | 10 W |
| Temperature range | -10 to +70 °C |
| | For other temperatures please inquire |

MECHANICAL DATA

| | |
|----------------------------------|-----------------|
| Material of waveguide and flange | brass |
| Mating flange type | 154 IEC-UBR 100 |
| Finish of flanges | nickel plated |
| Colour | black |
| Weight | 300 g |

Green Binder, Tab 11

Typical performance as a function of frequency at an operating temperature of 20°C.

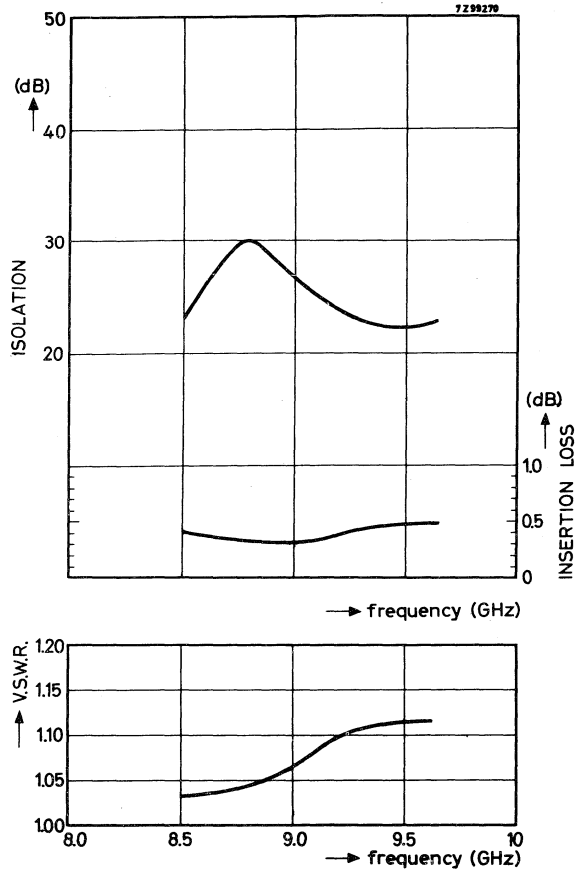


Fig. 2

ENVIRONMENTAL TESTS

The isolator withstands the following environmental tests of MIL-STD-202C

- Moisture resistance, method 106B
- Temperature cycling, method 102A, condition D
- Thermal shock, method 107B, condition A
- Vibration, method 201A
- Shock, method 202B

WAVEGUIDE ISOLATOR

Frequency 7.125 to 7.750 GHz

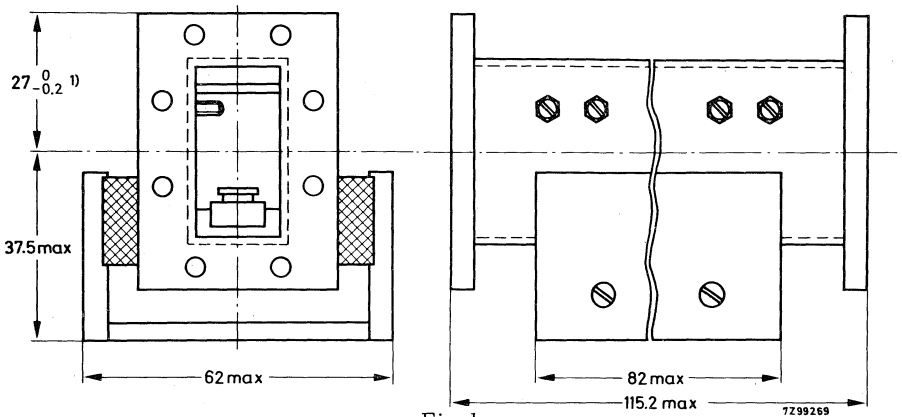
DIMENSIONS (in mm)

Fig. 1

ELECTRICAL DATA (See also Fig. 2)

| | |
|-------------------|------------------------------------------|
| Frequency range | 7.125 to 7.750 GHz |
| Isolation | > 30 dB |
| Insertion loss | < 0.3 dB |
| V. S. W. R. | < 1.05 |
| Maximum power | 20 W |
| Temperature range | -10 to +70 °C |
| | For other temperatures
please inquire |

MECHANICAL DATA

| | |
|----------------------------------|------------------------------|
| Material of waveguide and flange | brass |
| Mating flange type | 154 IEC-UER 70 ¹⁾ |
| Finish of flanges | gold plated |
| Colour of waveguide | grey |
| magnets | black |
| magnet yoke | nickel |
| Weight | 1450 g |

¹⁾ The flange of this isolator is a standard flange except for the dimension indicated with ¹⁾ (2 mm shorter)

Typical performance as a function of frequency at an operating temperature of 20 °C.

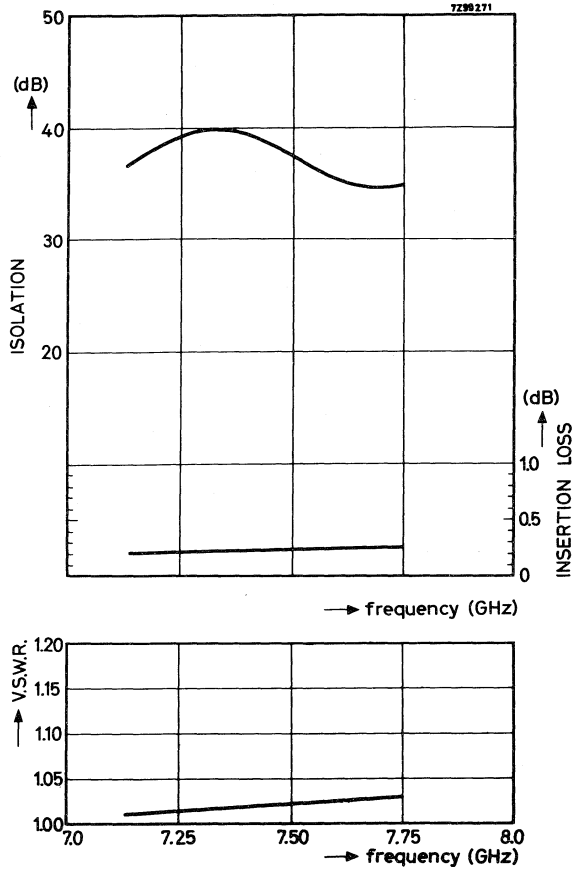
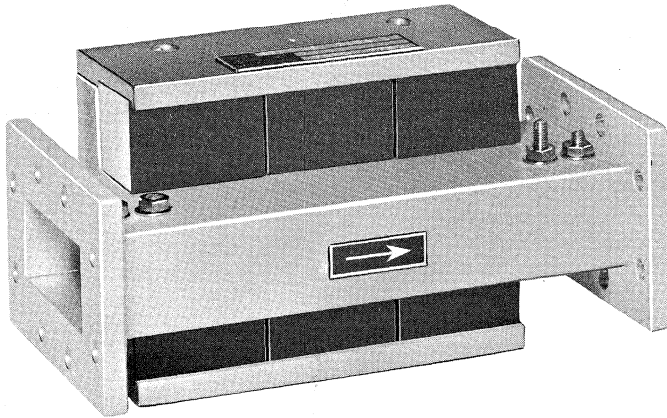


Fig. 2

ISOLATOR



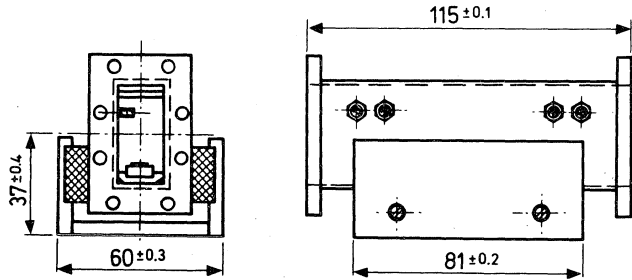
RZ 25233-16

ELECTRICAL DATA

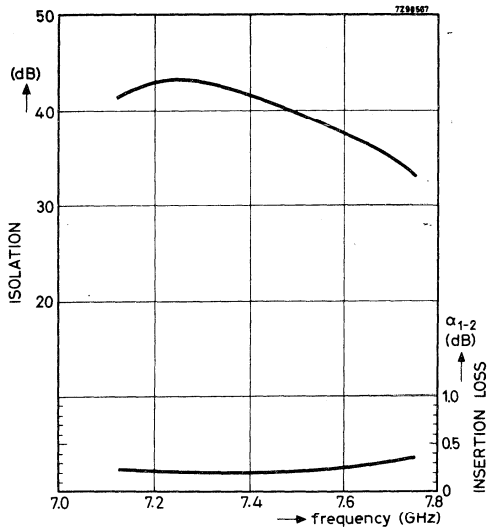
| | |
|----------------------|---------------------------------------------|
| Frequency range | 7.125-7.750 GHz |
| Isolation | > 30 dB |
| Insertion loss | < 0.3 dB |
| V.S.W.R. | < 1.05 |
| Nominal power (c.w.) | 20 W |
| Temperature range | -10 to +70 °C |
| | For other temperature ranges please inquire |

MECHANICAL DATA

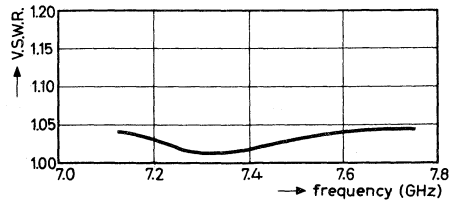
| | |
|---------------------------------|--------------------------------------------------------|
| Material | brass |
| Waveguide type | R70 (I.E.C.) |
| Flange type | UER70 (I.E.C.); other flanges to order |
| Finish of waveguide and flanges | goldplated upon silverplated
outside enamelled grey |
| | nickel standard mat |
| of magnet system | |
| Weight | 1450 g |



Dimensions in mm



Typical performance as a function of frequency at a working temperature of 20 °C.



COAXIAL ISOLATOR

Frequency 740 to 810 MHz

DIMENSIONS (in mm)

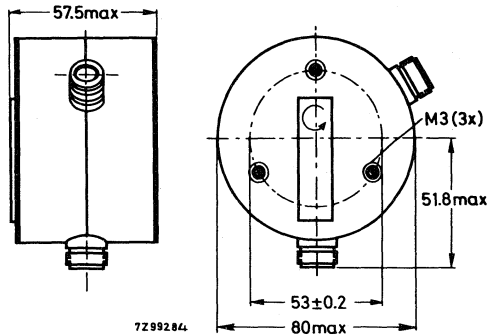


Fig. 1

ELECTRICAL DATA

| | |
|-------------------------------------|------------------------------------------------|
| Frequency range | 740 to 810 MHz |
| Isolation | > 22 dB |
| Insertion loss | < 0.3 dB |
| V.S.W.R. | < 1.2 |
| Maximum power | 100 W |
| Maximum permissible reflected power | 2 W |
| Temperature range | -10 to +70 °C |
| | For other temperature ranges
please inquire |

MECHANICAL DATA

| | |
|---------------------|---------------|
| Connector type | N female 50 Ω |
| Finish of connector | silver plated |
| Colour of housing | silver |
| top and bottom face | black |
| Weight | 1200 g |

COAXIAL ISOLATOR

Frequency 890 to 970 MHz

DIMENSIONS (in mm)

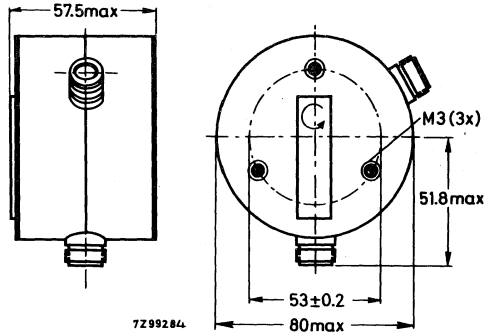


Fig.1

ELECTRICAL DATA (see also Fig.2)

| | |
|-------------------------------------|------------------------------------------------|
| Frequency range | 890 to 970 MHz |
| Isolation | > 22 dB |
| Insertion loss | < 0.3 dB |
| V.S.W.R. | < 1.2 |
| Maximum power | 100 W |
| Maximum permissible reflected power | 2 W |
| Temperature range | -10 to +70°C |
| | For other temperature ranges
please inquire |

MECHANICAL DATA

| | |
|---------------------|-----------------|
| Connector type | N female 50 Ω |
| Finish of connector | silver plated |
| Colour of housing | silver coloured |
| | black |
| Weight | 1200 g |

Typical performance as a function of frequency at an operating temperature of 20 °C

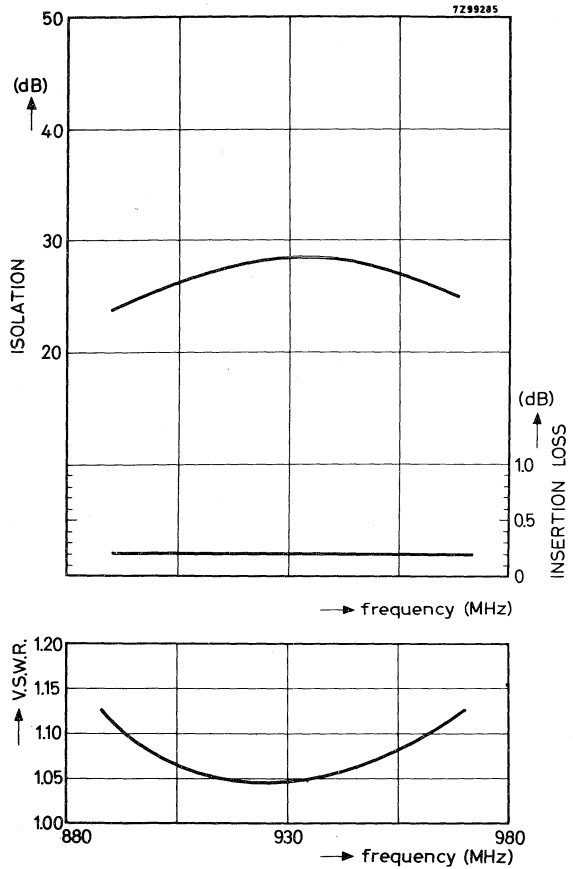


Fig. 2

Typical performance as a function of frequency at an operating temperature of 20°C.

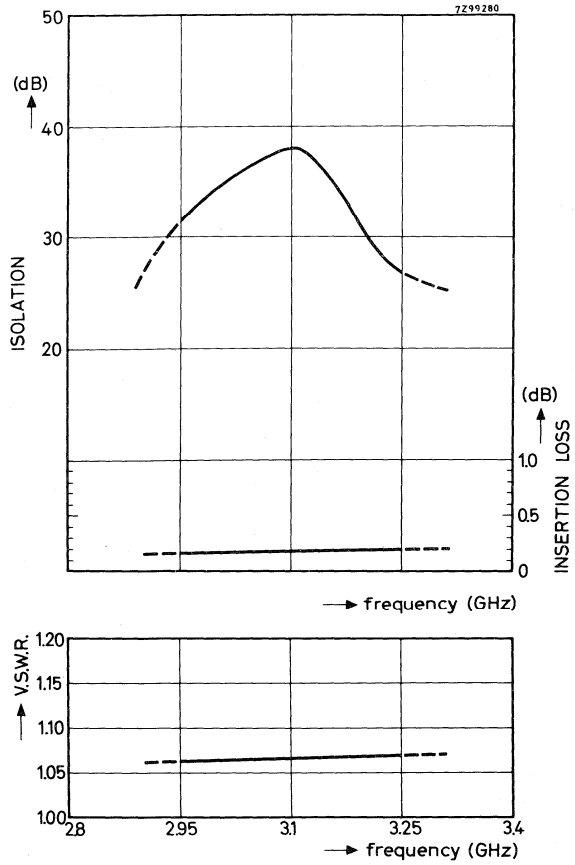


Fig.2

COAXIAL ISOLATOR

Frequency 3.56 to 3.90 GHz

DIMENSIONS (in mm)

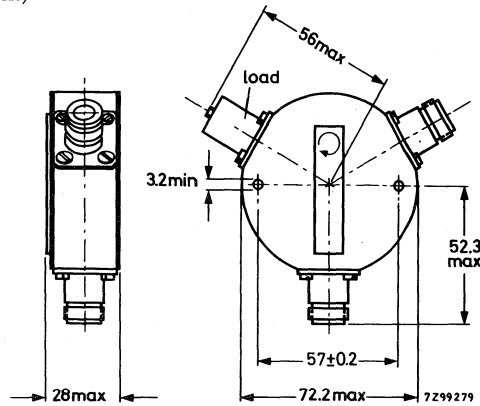


Fig.1

ELECTRICAL DATA (see also Fig.2)

| | |
|-------------------------------------|------------------------------------------------|
| Frequency range | 3.56 to 3.90 GHz |
| Isolation | > 20 dB |
| Insertion loss | < 0.3 dB |
| V.S.W.R. | < 1.2 |
| Maximum power | 100 W |
| Maximum permissible reflected power | 2 W |
| Temperature range | -10 to +70 °C |
| | For other temperature ranges
please inquire |

MECHANICAL DATA

| | |
|---------------------|---------------|
| Connector type | N female 50 Ω |
| Finish of connector | silver plated |
| Colour of housing | silver |
| top and bottom face | black |
| Weight | 550 g |

Typical performance as a function of frequency at an operating temperature of 20°C.

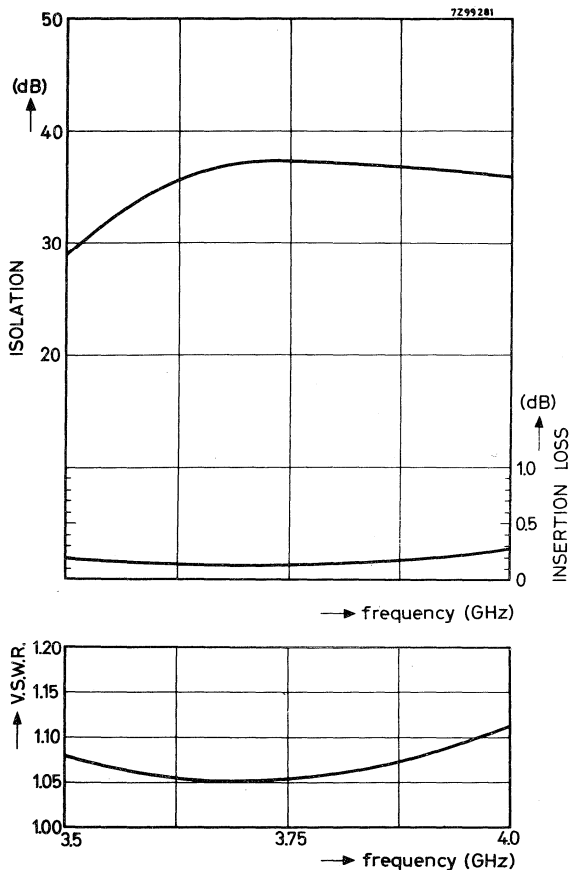


Fig. 2

COAXIAL ISOLATOR

Frequency 1.48 to 1.95 GHz

DIMENSIONS (in mm)

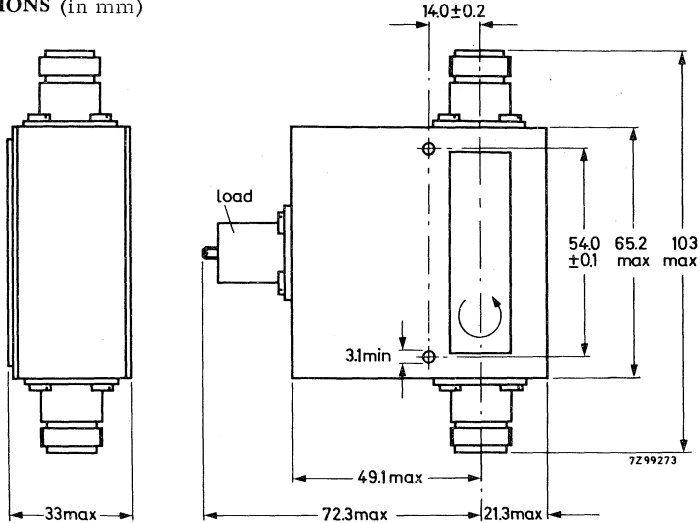


Fig.1

ELECTRICAL DATA (see also Fig.2)

| | |
|-------------------------------------|-------------------------------------------------|
| Frequency range | 1.48 to 1.95 GHz |
| Isolation | > 20 dB |
| Insertion loss | < 0.3 dB |
| V.S.W.R. | < 1.2 |
| Maximum power | 50 W |
| Maximum permissible reflected power | 2 W |
| Temperature range | -10 to +70 °C |
| | For other temperature ranges
please inquire. |

MECHANICAL DATA

| | |
|---------------------|---------------|
| Connector type | N female 50 Ω |
| Finish of connector | silver plated |
| Colour of housing | grey |
| top and bottom face | black |
| Weight | 500 g |

Typical performance as a function of frequency at an operating temperature of 20°C.

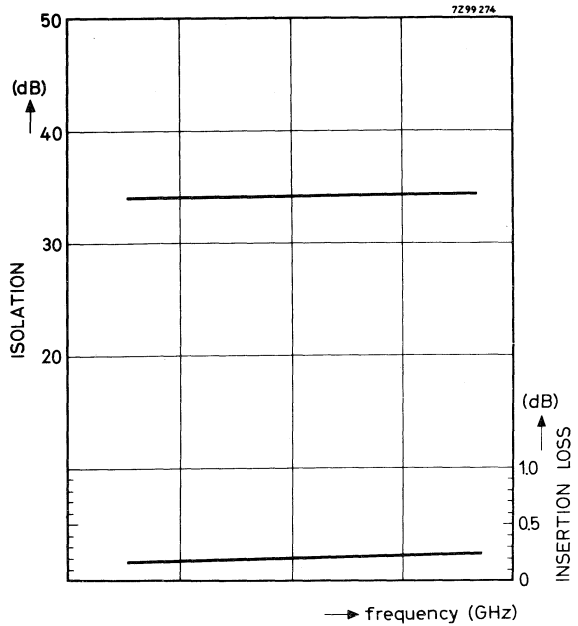
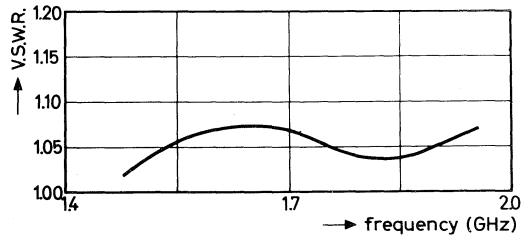


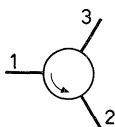
Fig. 2



INTRODUCTION

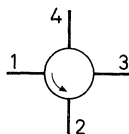
A circulator is a passive non-reciprocal device with three or more ports. It contains a core of ferrite material in which energy introduced into one port is transferred to an adjacent port, the other ports being isolated.

Although circulators can be made with any number of ports, the most commonly used are 3 ports and 4 ports, the symbols of which are given in Fig.1 and 2.



3 port circulator
Fig.1

symbols



4 port circulator
Fig.2

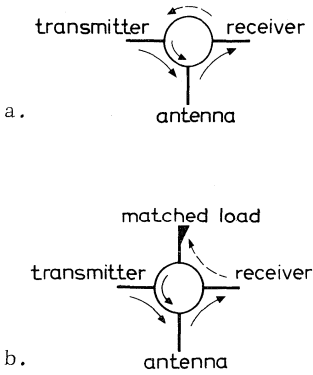
Energy entering into port 1 emerges from port 2, energy entering into port 2 emerges from port 3, and so on in cyclic order. In this direction of circulation an ideal circulator would have no losses, but in practical constructions there are some losses.

In an ideal circulator no energy would flow in the direction opposite to the circulation direction. Again in practice this isolation is in the order of 20 to 30 dB, in very narrow bands even higher.

The non-reciprocal behaviour of circulators is the result of gyromagnetic effects in the ferrite when this is biased with a magnetic field.

APPLICATION

The main application of circulators is duplexing of systems for simultaneous transmission and reception in low and medium power telecommunication equipment as illustrated in Fig.3 and 4.



7Z49201

Fig. 3.

Duplexing of one receiver and one transmitter

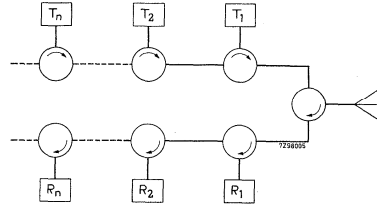


Fig. 4

Duplexing of a number of transmitters and receivers

R = receiver; T = transmitter

The reasons that both 3 port and 4 port circulators are used are:

- a. a 3 port circulator usually has a wider bandwidth than a 4 port circulator,
- b. a 4 port circulator (of which the fourth port is provided with a matched load, see Fig.3b), however, does not require a very accurately matched receiver so that a much simpler filter can be used on the receiver input.

A 3 port circulator can also be used as an isolator by putting a matched load on one port, Fig.5. Particularly at lower frequencies the characteristics of a circulator as to decoupling of functions are superior to those of an isolator. Decoupling can be increased by cascading circulators, see Fig.6. The decoupling is directly proportional to the number of circulators; so is the insertion loss.

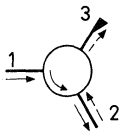


fig. 5

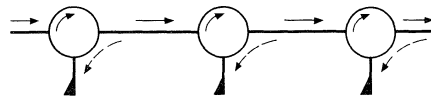
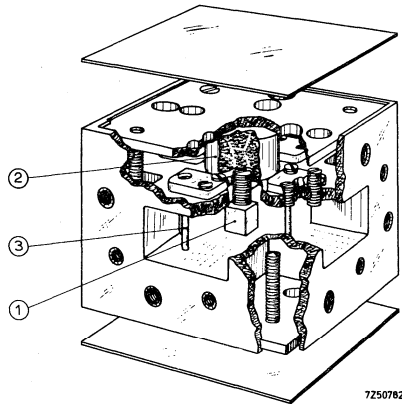


fig. 6

CONSTRUCTION

As for the construction of the circulators two types may be distinguished, the waveguide circulators and the coaxial circulators. Both are junction types.

Waveguide circulators

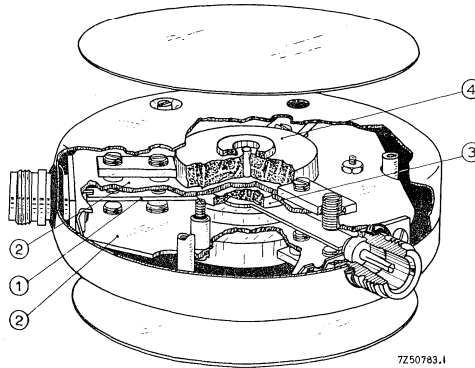
Construction of a waveguide
circulator
Fig.7

In this type three or four waveguides intersect each other at 120° or 90° angles. In Fig.7 a 4-port waveguide circulator of the junction type is shown. Exactly in the centre of the intersection a piece of ferrite (1) is located between two magnets (2).

In the waveguide some posts (3) are placed which are required to achieve a good match.

Coaxial circulators

In Fig.8 a coaxial circulator of the junction type is shown. Three copper strips (1) intersect at an angle of 120° in the centre of the circulator, thus forming a Y-arrangement¹⁾. These strips are mounted between two earth plates (2), in this way forming a matched high frequency conductor. In the exact centre of the circulator two ferrite discs (3) and magnets (4) are mounted.



Construction of a coaxial circulator
Fig.8

Mounting

Mounting of a coaxial circulator can be done by removing the three screws in the cover plates. The screw size is 3 x 10 mm metric. The circulator can then be placed directly against a metal support and be secured by the three screws.

TERMS AND DEFINITIONS

Frequency range is the range within which the circulator meets the guaranteed specification.

Outside this range the electrical properties deteriorate rapidly. The circulator will not be damaged, however, if erroneously subjected to frequencies outside the range.

Isolation is the ratio, expressed in dB, of the energy entering into a port to the energy scattered into the adjacent port on the side opposite to normal circulation. It is measured with a matched source and all other ports correctly terminated.

The isolation α_{1-3} , i.e. the isolation between ports 1 and 3, is equal to α_{3-2} and α_{2-1} . (See Fig.1).

¹⁾ A T-arrangement can be made on request.

Insertion loss is the attenuation resulting from the insertion of a circulator into a transmission system, expressed in dB, of the power delivered to a matched load before insertion of the circulator, to the power delivered to that load after insertion of the circulator.

Voltage standing wave ratio (VSWR) is the ratio of the maximum to the minimum voltages along the line. It is measured with all other ports terminated with a matched load.

The coaxial circulators are designed with a characteristic impedance of 50 ohms.

Typical data. These data are derived by taking the mean measured values of several production runs of the component.

Maximum power is the largest power that a circulator can handle when one port is terminated with a mismatch of $VSWR = 2$, whilst the next port is matched with $VSWR \leq 1.2$.

Temperature range is the ambient temperature range within which the circulators will function to specification.

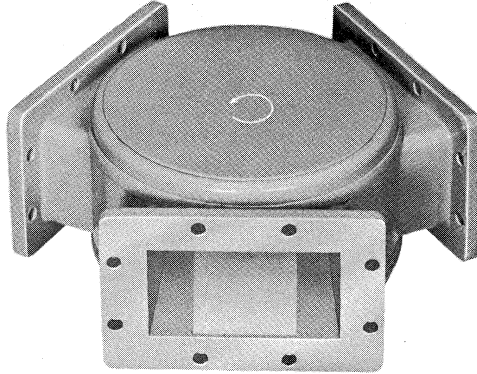
(When necessary special temperature compensation is built in.)

CAUTION

- a. The circulators have rather strong internal magnetic fields which are carefully adjusted for optimal operation,
- b. They are not to be subjected to strong external magnetic fields.

CIRCULATOR

RZ 21604-1

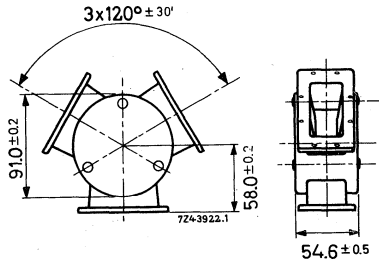


ELECTRICAL DATA

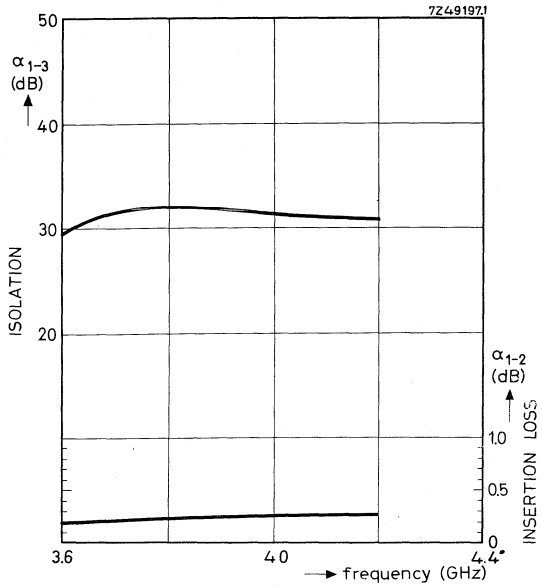
| | |
|-------------------------------|---------------------------------------------|
| Frequency range | 3.6-4.2 GHz |
| Isolation α_{1-3} | > 25 dB |
| Insertion loss α_{1-2} | < 0.4 dB |
| V.S.W.R. | < 1.12 |
| Nominal power (c.w.) | 100 W |
| Temperature range | +10 to +60 °C |
| | For other temperature ranges please inquire |

MECHANICAL DATA

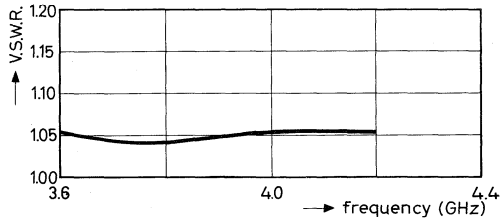
| | |
|--------------|-------------------------------------------|
| Construction | waveguide 3 port |
| Material | aluminium |
| Flange type | UER 40 (I.E.C.) |
| Finish | iridium flashed,
covers enamelled grey |



Dimensions in mm.



Typical performance as a function of frequency at a working temperature of 20 °C.



WAVEGUIDE 3-PORT CIRCULATOR

Frequency 3.6 to 4.2 GHz

DIMENSIONS (in mm)

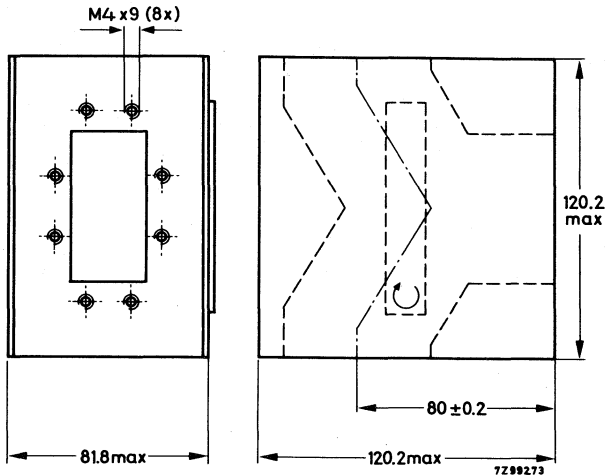


Fig.1

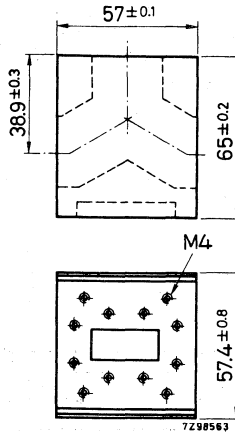
ELECTRICAL DATA

| | |
|-------------------------------|------------------------------------------------|
| Frequency range | 3.6 to 4.2 GHz |
| Isolation α_{1-3} | > 28 dB |
| Insertion loss α_{1-2} | < 0.3 dB |
| V.S.W.R. | < 1.1 |
| Maximum power | 50 W |
| Temperature range | 0 to +70 °C |
| | For other temperature ranges
please inquire |

MECHANICAL DATA

| | |
|-----------------------------------|----------------|
| Material of waveguide and flanges | aluminium |
| Mating flange type | 154 IEC-UER 40 |
| Finish of flanges | alodine |
| Colour of top and bottom face | grey |
| Weight | 2900 g |

CIRCULATOR



Dimensions in mm

ELECTRICAL DATA

Frequency range
 Isolation α_{1-3}
 Insertion loss α_{1-2}
 V.S.W.R.
 Nominal power (c.w.)
 Temperature range

7.7-8.5 GHz

> 25 dB

< 0.3 dB

< 1.1

50 W

+10 to +40 °C

For other temperature ranges please
 inquire

MECHANICAL DATA

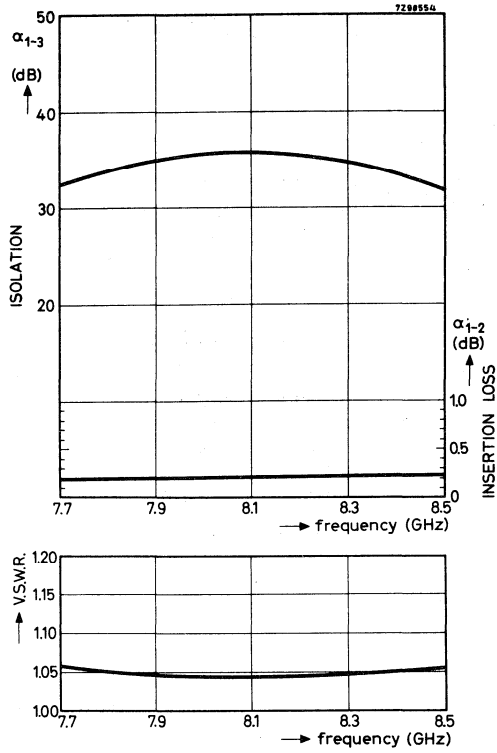
Construction
 Material
 Flange type
 Finish

waveguide 3 port

brass

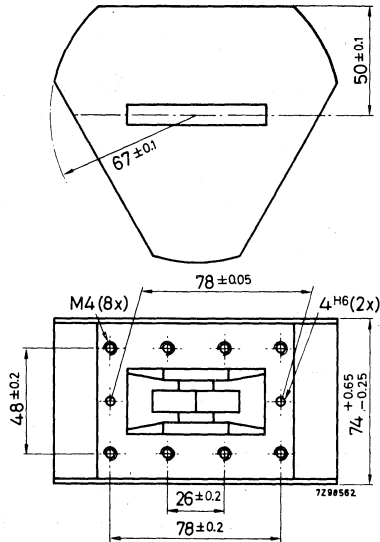
UER84/UBR84 (I.E.C.)

goldplated upon silverplated
 outside enamelled grey



Typical performance as a function of frequency at a working temperature of 20 °C.

CIRCULATOR



Dimensions in mm

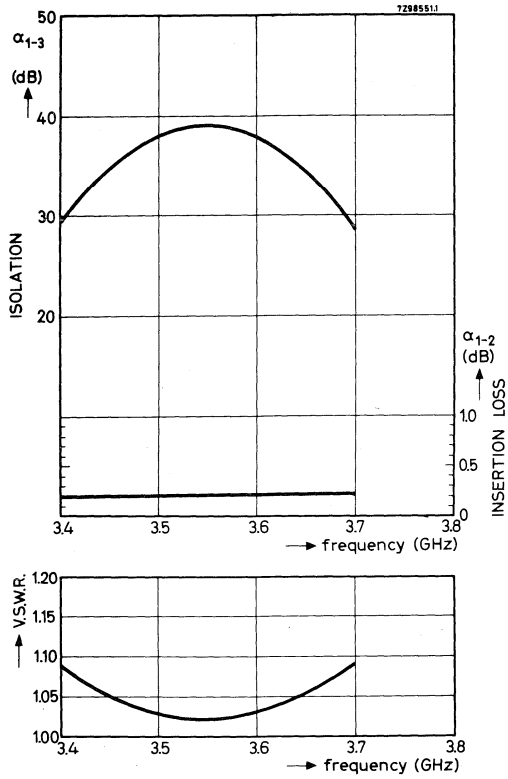
ELECTRICAL DATA

| | |
|-------------------------------|---------------------------------------------|
| Frequency range | 3.4-3.7 GHz |
| Isolation α_{1-3} | > 25 dB |
| Insertion loss α_{1-2} | < 0.3 dB |
| V.S.W.R. | < 1.1 |
| Nominal power (c.w.) | 50 W |
| Temperature range | +5 to +45 °C |
| | For other temperature ranges please inquire |

MECHANICAL DATA

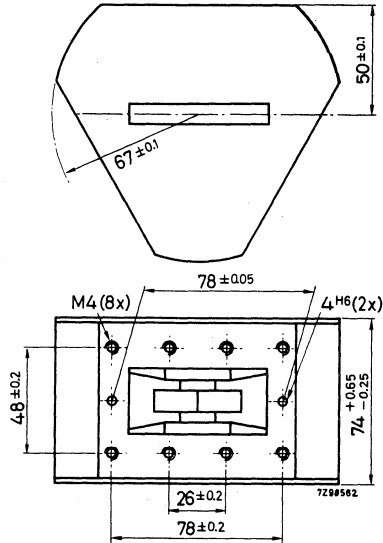
| | |
|--------------|-----------------------------------|
| Construction | waveguide 3 port |
| Material | aluminium |
| Flange type | C.C.T.U. No.6 *) |
| Finish | alodine
outside enamelled grey |

*) UER40 available on request



Typical performance as a function of frequency at a working temperature of 20 °C.

CIRCULATOR



Dimensions in mm

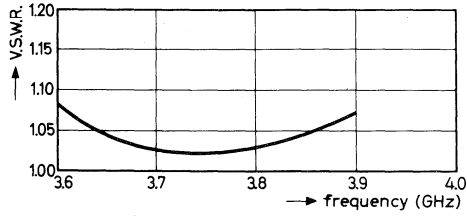
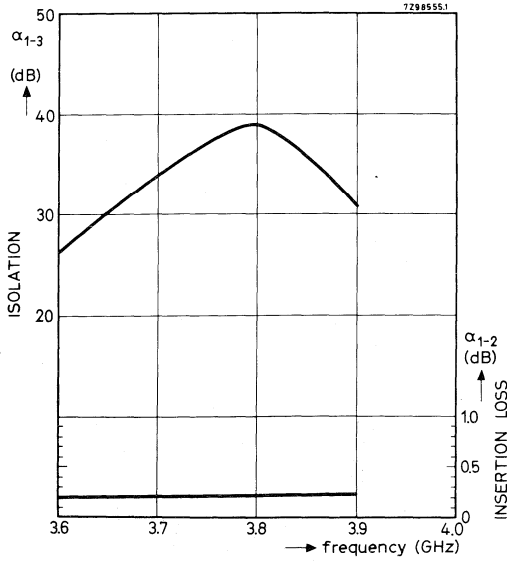
ELECTRICAL DATA

| | |
|-------------------------------|---------------------------------------------|
| Frequency range | 3.6-3.9 GHz |
| Isolation α_{1-3} | > 25 dB |
| Insertion loss α_{1-2} | < 0.3 dB |
| V.S.W.R. | < 1.1 |
| Nominal power (c.w.) | 50 W |
| Temperature range | +5 to +45 °C |
| | For other temperature ranges please inquire |

MECHANICAL DATA

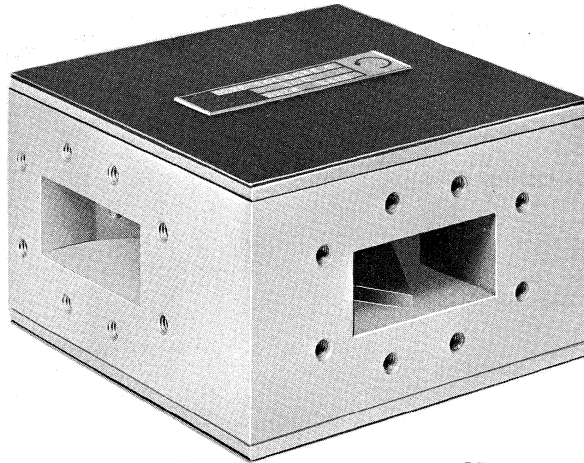
| | |
|--------------|------------------------------------|
| Construction | waveguide 3 port |
| Material | aluminium |
| Flange type | C.C.T.U. No.6 *) |
| Finish | alodine,
outside enamelled grey |

*) UER40 available on request



Typical performance as a function of frequency at a working temperature of 20 °C.

CIRCULATOR



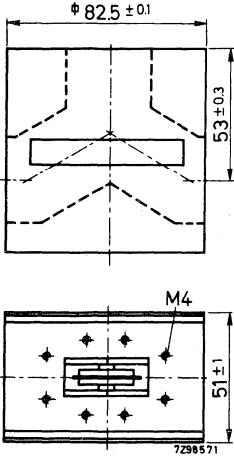
RZ 25233-2

ELECTRICAL DATA

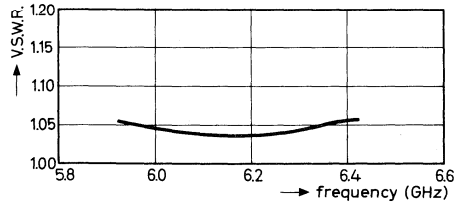
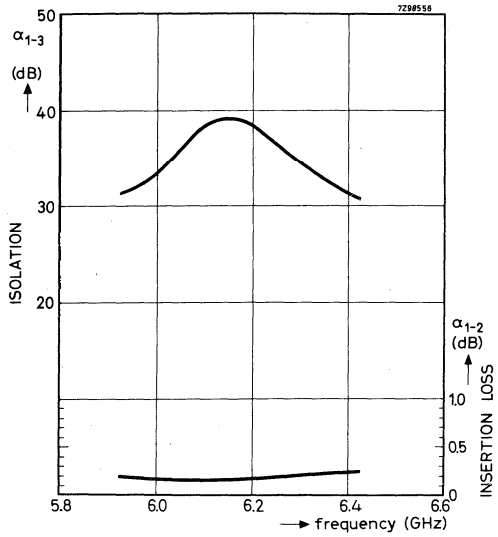
| | |
|-------------------------------|---------------------------------------------|
| Frequency range | 5.925-6.425 GHz |
| Isolation α_{1-3} | > 25 dB |
| Insertion loss α_{1-2} | < 0.3 dB |
| V.S.W.R. | < 1.12 |
| Nominal power (c.w.) | 100 W |
| Temperature range | +10 to +40 °C |
| | For other temperature ranges please inquire |

MECHANICAL DATA

| | |
|--------------|--------------------------|
| Construction | waveguide 3 port |
| Material | aluminium |
| Flange type | UER70 (I.E.C.) |
| Finish | alodine,
covers black |
| Weight | 950 g |



Dimensions in mm



Typical performance as a function of frequency at a working temperature of 20 °C.

WAVEGUIDE 3-PORT CIRCULATOR

Frequency 6.425 to 7.125 GHz

DIMENSIONS (in mm)

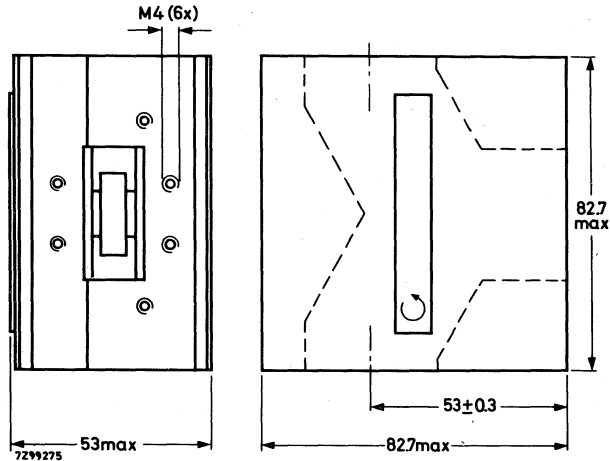


Fig.1

ELECTRICAL DATA (see also Fig.2)

| | |
|-------------------------------|------------------------------------------------|
| Frequency range | 6.425 to 7.125 GHz |
| Isolation α_{1-3} | > 30 dB |
| Insertion loss α_{1-2} | < 0.15 dB |
| V.S.W.R. | < 1.07 |
| Maximum power | 100 W |
| Temperature range | -10 to +70°C |
| | For other temperature ranges
please inquire |

MECHANICAL DATA

| | |
|-----------------------------------|----------------|
| Material of waveguide and flanges | aluminium |
| Mating flange type | 154 IEC-UER 70 |
| Finish of flanges | alodine |
| Colour of top and bottom face | black |
| Weight | 950 g |

Typical performance as a function of frequency at an operating temperature of 20°C

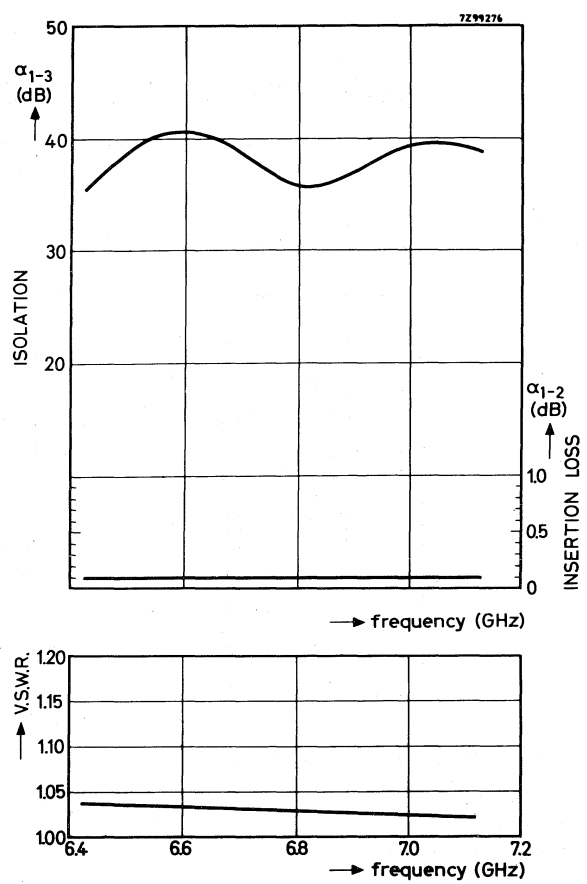


Fig. 2



WAVEGUIDE 3-PORT CIRCULATOR

Frequency 7.125 to 7.750 GHz

DIMENSIONS (in mm)

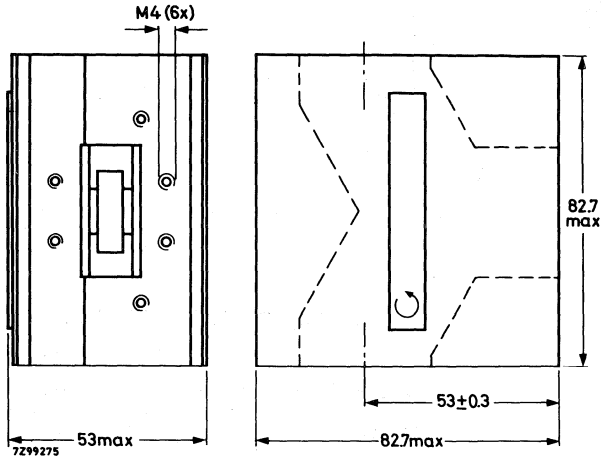


Fig.1

ELECTRICAL DATA (see also Fig.2)

| | |
|-------------------------------|------------------------------------------------|
| Frequency range | 7.125 to 7.750 GHz |
| Isolation α_{1-3} | > 30 dB |
| Insertion loss α_{1-2} | < 0.2 dB |
| V.S.W.R. | < 1.06 |
| Maximum power | 100 W |
| Temperature range | -10 to +70°C |
| | For other temperature ranges
please inquire |

MECHANICAL DATA

| | |
|-----------------------------------|----------------|
| Material of waveguide and flanges | aluminium |
| Mating flange type | 154 IEC-UER 70 |
| Finish of flanges | alodine |
| Colour of top and bottom face | black |
| Weight | 950 g |

Typical performance as a function of frequency at an operating temperature of 20°C.

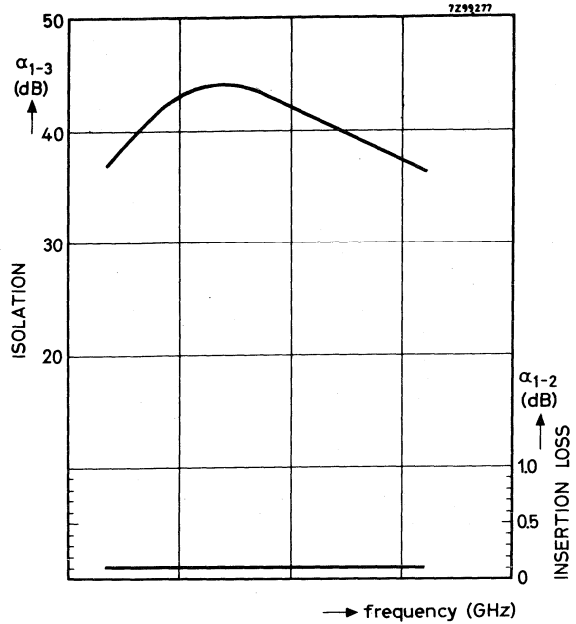
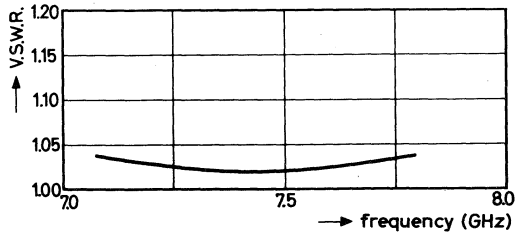


Fig.2



WAVEGUIDE 3-PORT CIRCULATOR

Frequency 5.925 to 6.425 GHz

DIMENSIONS (in mm)

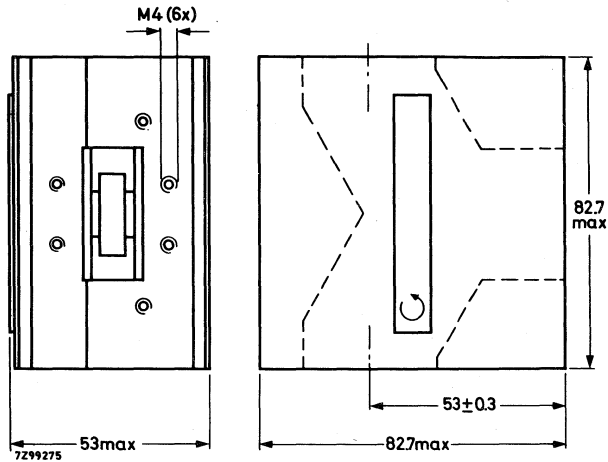


Fig.1

ELECTRICAL DATA

Frequency range
 Isolation α_{1-3}
 Insertion loss α_{1-2}
 V.S.W.R.
 Maximum power
 Temperature range

5.925 to 6.425 GHz
 > 30 dB
 < 0.2 dB
 < 1.06
 100 W
 -10°C to $+70^{\circ}\text{C}$
 For other temperature ranges
 please inquire

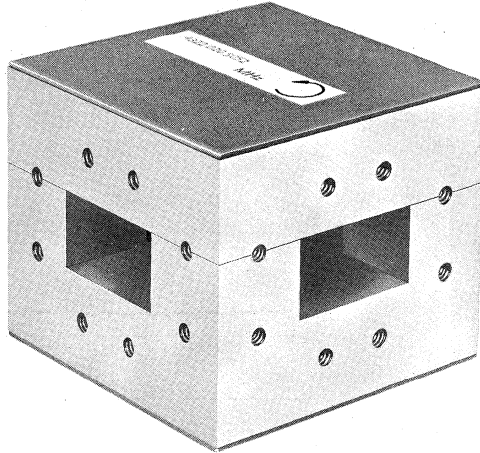
MECHANICAL DATA

Material of waveguide and flanges
 Mating flange type
 Finish of flanges
 Colour of top and bottom face
 Weight

Aluminium
 154 IEC-UER 70
 alodine
 black
 approx 950 g

CIRCULATOR

RZ 21478-1.1

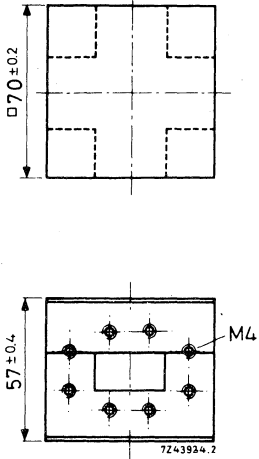


ELECTRICAL DATA

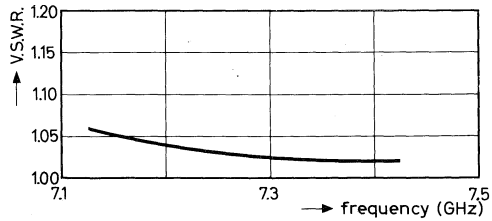
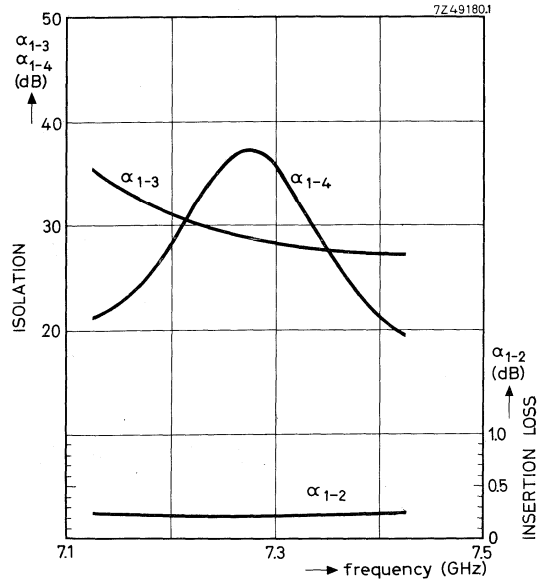
| | |
|-------------------------------|---------------------------------------------|
| Frequency range | 7.125-7.425 GHz |
| Isolation α_{1-3} | > 25 dB |
| α_{1-4} | > 18 dB |
| Insertion loss α_{1-2} | < 0.3 dB |
| V.S.W.R. | < 1.1 |
| Nominal power (c.w.) | 100 W |
| Temperature range | +10 to +60 °C |
| | For other temperature ranges please inquire |

MECHANICAL DATA

| | |
|--------------|-----------------------------------------------|
| Construction | waveguide 4 port |
| Material | brass |
| Flange type | UER70 (I.E.C.) |
| Finish | goldplated upon silverplated,
covers black |
| Weight | 920 g |



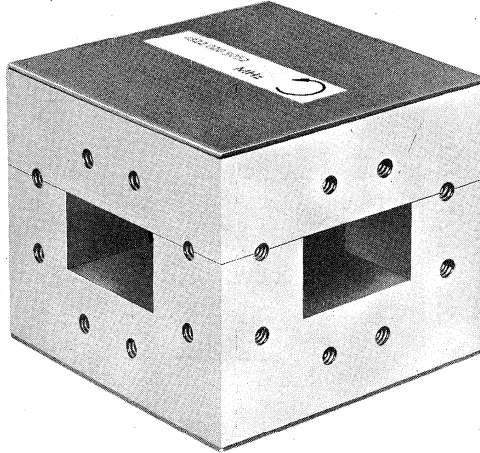
Dimensions in mm.



Typical performance as a function of frequency at a working temperature of 20 °C.

CIRCULATOR

RZ 21478-1.1

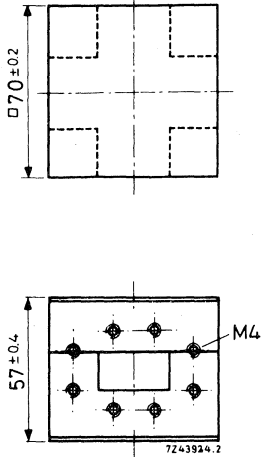


ELECTRICAL DATA

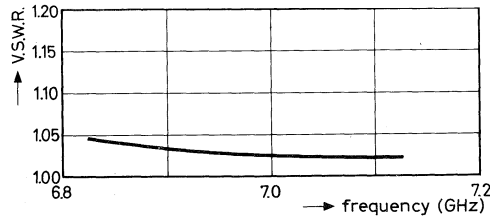
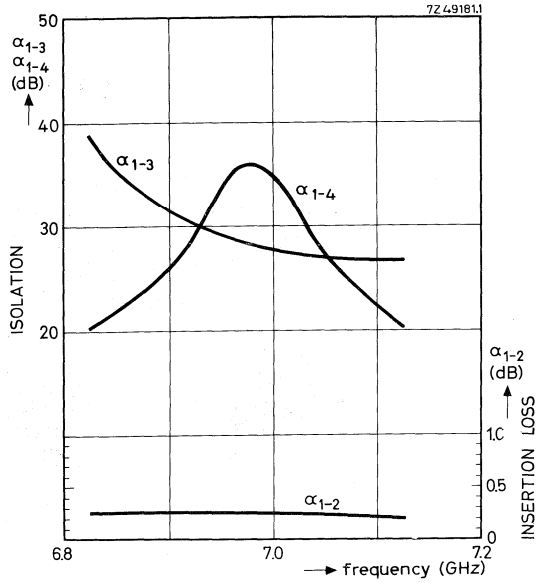
| | |
|-------------------------------|---------------------------------------------|
| Frequency range | 6.825-7.125 GHz |
| Isolation α_{1-3} | > 25 dB |
| α_{1-4} | > 18 dB |
| Insertion loss α_{1-2} | < 0.4 |
| V.S.W.R. | < 1.08 |
| Nominal power (c.w.) | 100 W |
| Temperature range | +10 to +60 °C |
| | For other temperature ranges please inquire |

MECHANICAL DATA

| | |
|--------------|-----------------------------------------------|
| Construction | waveguide 4 port |
| Material | brass |
| Flange type | UER 70 (I.E.C.) |
| Finish | goldplated upon silverplated,
covers black |
| Weight | 920 g |



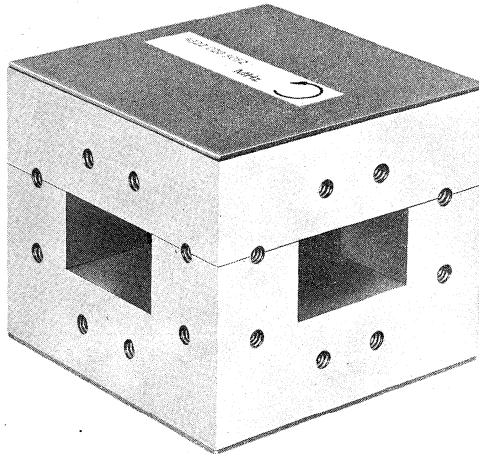
Dimensions in mm.



Typical performance as a function of frequency at a working temperature of 20 °C.

CIRCULATOR

RZ 21478-1.1

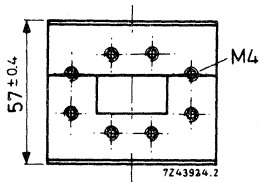
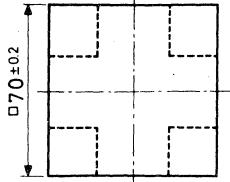


ELECTRICAL DATA

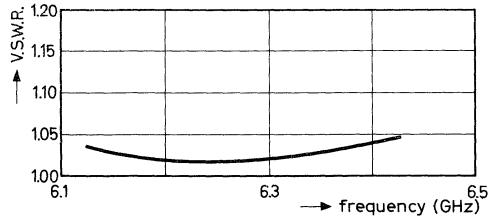
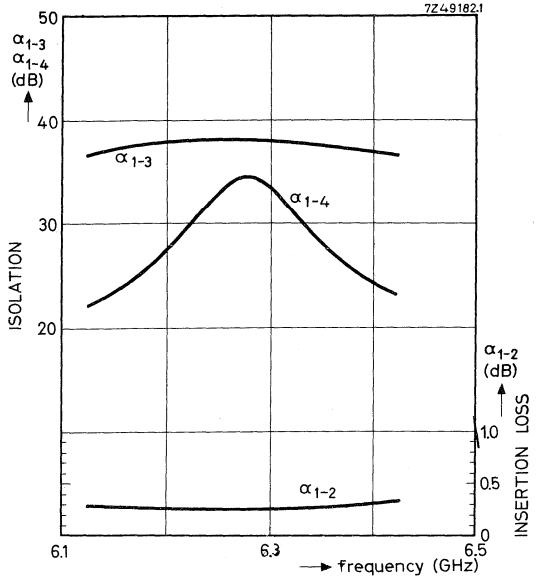
| | |
|------------------------------|---------------------------------------------|
| Frequency range | 6.125-6.425 GHz |
| Isolation α_1 -3 | > 30 dB |
| α_1 -4 | > 18 dB |
| Insertion loss α_1 -2 | < 0.4 dB |
| V.S.W.R. | < 1.1 |
| Nominal power (c.w.) | 100 W |
| Temperature range | +10 to +60 °C |
| | For other temperature ranges please inquire |

MECHANICAL DATA

| | |
|--------------|-----------------------------------------------|
| Construction | waveguide 4 port |
| Material | brass |
| Flange type | UER 70 (I.E.C.) |
| Finish | goldplated upon silverplated,
covers black |
| Weight | 920 g |



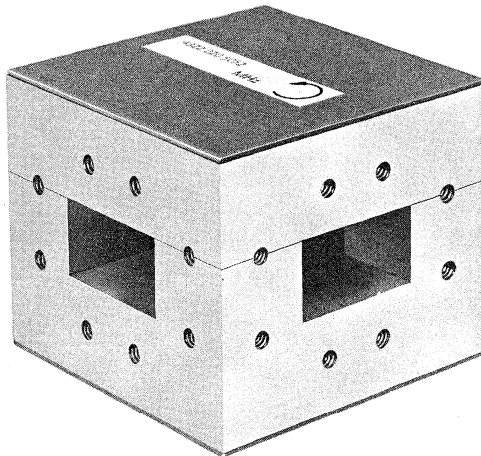
Dimensions in mm



Typical performance as a function of frequency at a working temperature of 20 °C.

CIRCULATOR

RZ 21478-1.1

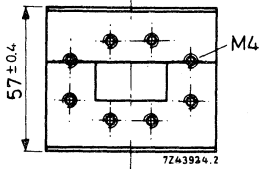
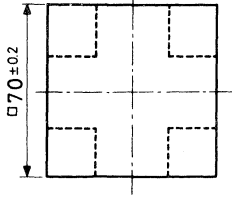


ELECTRICAL DATA

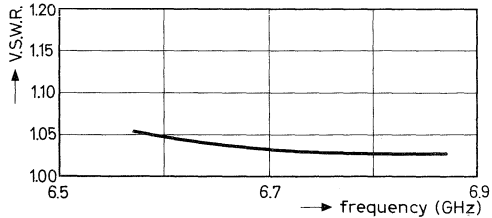
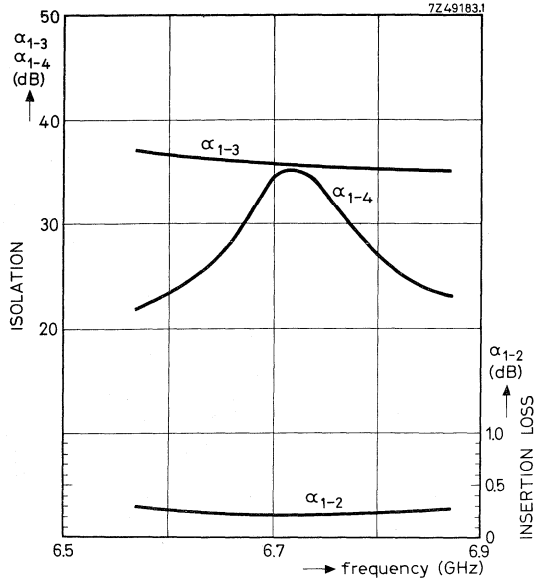
| | |
|-------------------------------|---------------------------------------------|
| Frequency range | 6.575-6.875 GHz |
| Isolation α_{1-3} | > 25 dB |
| α_{1-4} | > 20 dB |
| Insertion loss α_{1-2} | < 0.4 dB |
| V.S.W.R. | < 1.1 |
| Nominal power (c.w.) | 100 W |
| Temperature range | +10 to +60 °C |
| | For other temperature ranges please inquire |

MECHANICAL DATA

| | |
|--------------|-----------------------------------------------|
| Construction | waveguide 4 port |
| Material | brass |
| Flange type | UER 70 (I.E.C.) |
| Finish | goldplated upon silverplated,
covers black |
| Weight | 920 g |



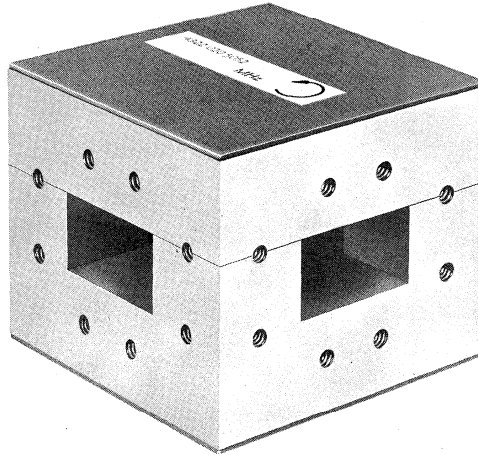
Dimensions in mm.



Typical performance as a function of frequency at a working temperature of 20 °C.

CIRCULATOR

RZ 21478-1.1

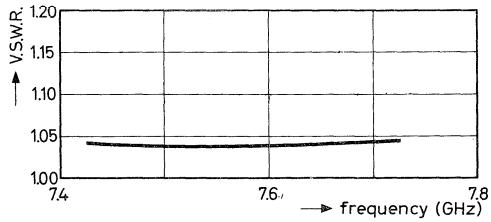
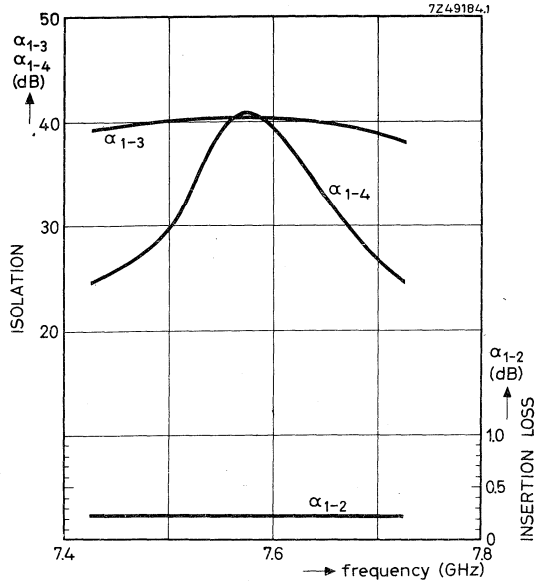
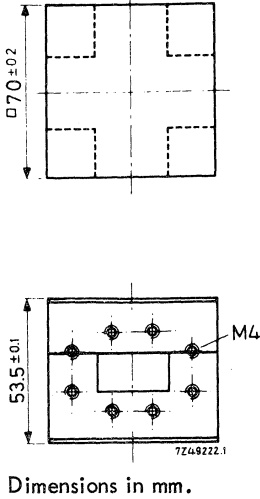


ELECTRICAL DATA

| | |
|-------------------------------|---------------------------------------------|
| Frequency range | 7.425-7.725 GHz |
| Isolation α_{1-3} | > 30 dB |
| α_{1-4} | > 20 dB |
| Insertion loss α_{1-2} | < 0.4 dB |
| V.S.W.R. | < 1.1 |
| Nominal power (c.w.) | 100 W |
| Temperature range | +10 to +60 °C |
| | For other temperature ranges please inquire |

MECHANICAL DATA

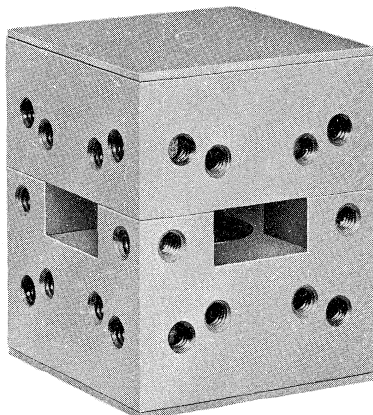
| | |
|--------------|-----------------------------------------------|
| Construction | waveguide 4 port |
| Material | brass |
| Flange type | UER 70 (I.E.C.) |
| Finish | goldplated upon silverplated,
covers black |
| Weight | 920 g |



Typical performance as a function of frequency at a working temperature of 20 °C.

CIRCULATOR

RZ 21478-3

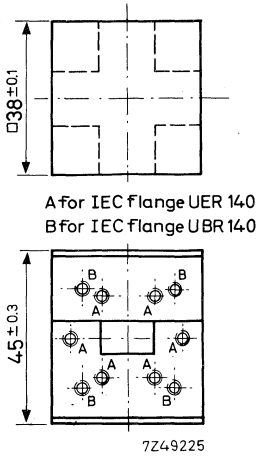


ELECTRICAL DATA

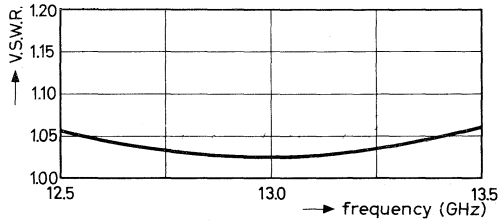
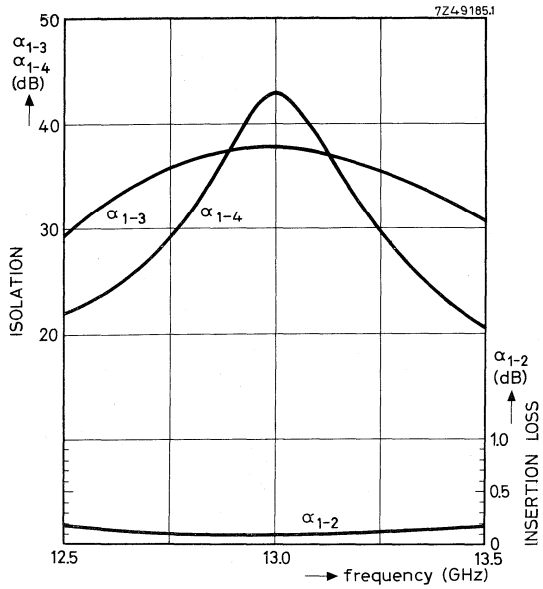
| | |
|-------------------------------|---------------------------------------------|
| Frequency range | 12.5 - 13.5 GHz |
| Isolation α_{1-3} | > 25 dB |
| α_{1-4} | > 20 dB |
| Insertion loss α_{1-2} | < 0.3 dB |
| V.S.W.R. | < 1.1 |
| Nominal power (c.w.) | 25 W |
| Temperature range | + 10 to + 60 °C |
| | For other temperature ranges please inquire |

MECHANICAL DATA

| | |
|--------------|--------------------------------------------------------|
| Construction | waveguide 4 port |
| Material | brass |
| Flange type | UER140 and UBR140 (I.E.C.) |
| Finish | goldplated upon silverplated
outside enamelled grey |
| Weight | 320 g |



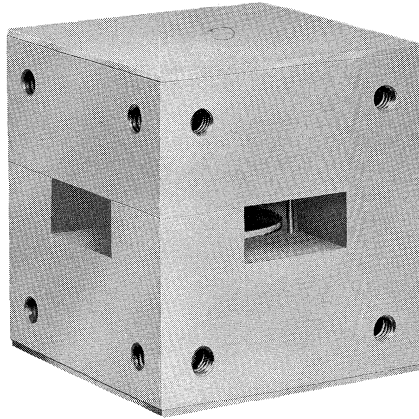
Dimensions in mm.



Typical performance as a function of frequency at a working temperature of 20 °C.

CIRCULATOR

RZ 21478-2

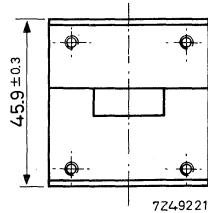
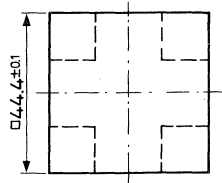


ELECTRICAL DATA

| | |
|------------------------------|---------------------------------------------|
| Frequency range | 10.7-11.7 GHz |
| Isolation α_1 -3 | > 30 dB |
| α_1 -4 | > 18 dB |
| Insertion loss α_1 -2 | < 0.3 dB |
| V.S.W.R. | < 1.1 |
| Nominal power (c.w.) | 25 W |
| Temperature range | +10 to +60 °C |
| | For other temperature ranges please inquire |

MECHANICAL DATA

| | |
|--------------|--------------------------------------------------------|
| Construction | waveguide 4 port |
| Material | brass |
| Flange type | UBR 100 (I.E.C.) |
| Finish | goldplated upon silverplated
outside enamelled grey |
| Weight | 390 g |

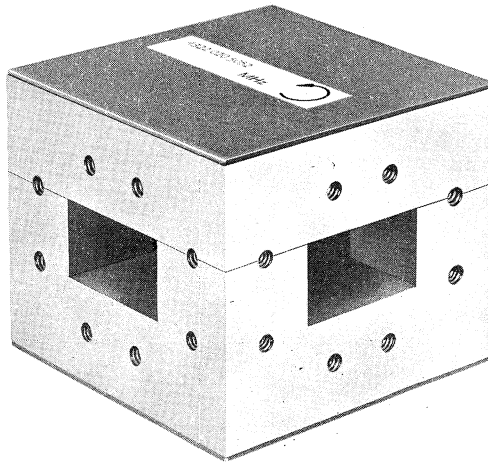


7249221

Dimensions in mm.

CIRCULATOR

RZ 21478-1.1

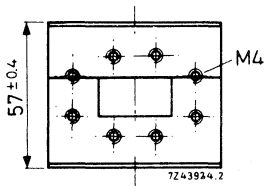
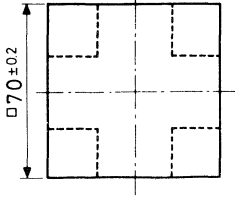


ELECTRICAL DATA

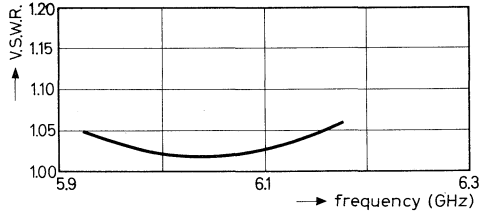
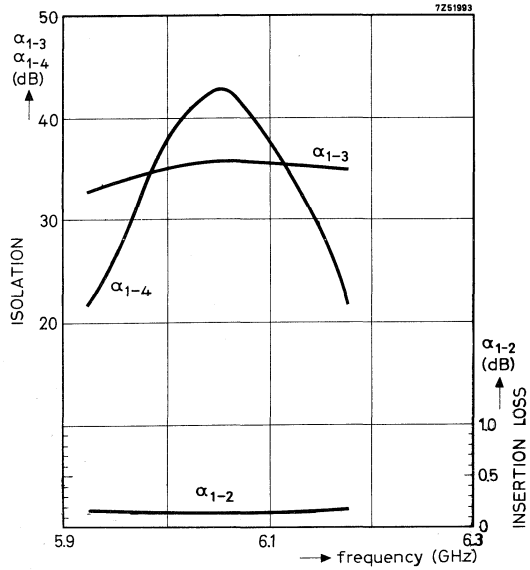
| | |
|-------------------------------|---------------------------------------------|
| Frequency range | 5.925 - 6.175 GHz |
| Isolation α_{1-3} | > 30 dB |
| α_{1-4} | > 20 dB |
| Insertion loss α_{1-2} | < 0.4 dB |
| V.S.W.R. | < 1.1 |
| Nominal power (c.w.) | 100 W |
| Temperature range | +10 to +60 °C |
| | For other temperature ranges please inquire |

MECHANICAL DATA

| | |
|--------------|--------------------------------------------------------|
| Construction | waveguide 4 port |
| Material | brass |
| Flange type | UER 70 (I.E.C.) |
| Finish | goldplated upon silverplated
outside enamelled grey |
| Weight | 920 g |

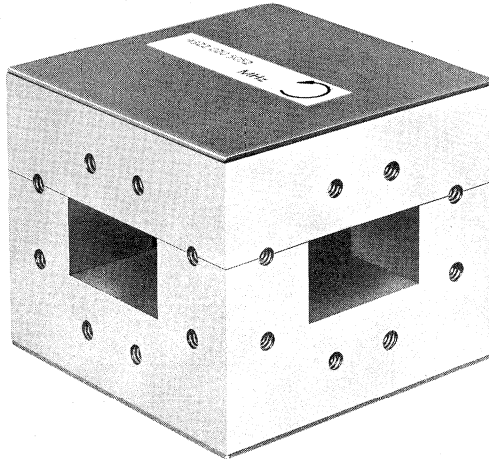


Dimensions in mm.



Typical performance as a function of frequency at a working temperature of 20 °C.

CIRCULATOR



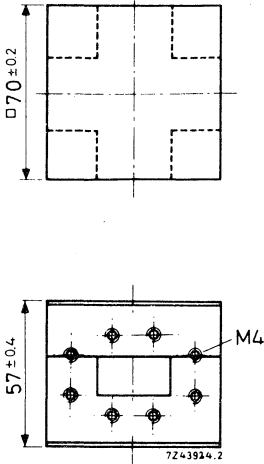
RZ 21478-1.1

ELECTRICAL DATA

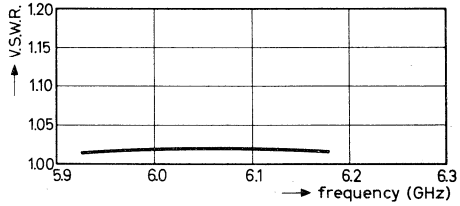
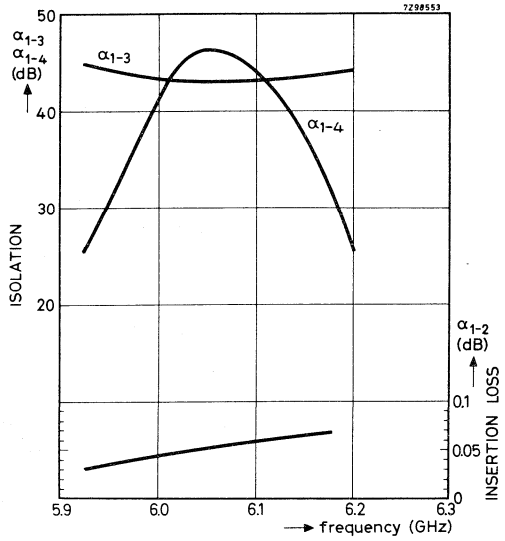
| | |
|-------------------------------|---------------------------------------------|
| Frequency range | 5.925-6.175 GHz |
| Isolation α_{1-3} | > 33 dB |
| α_{1-4} | > 20 dB |
| Insertion loss α_{1-2} | < 0.1 dB |
| V.S.W.R. | < 1.05 |
| Nominal power (c.w.) | 150 W |
| Temperature range | +10 to +60 °C |
| | For other temperature ranges please inquire |

MECHANICAL DATA

| | |
|--------------|-----------------------------------------------|
| Construction | waveguide 4 port |
| Material | brass |
| Flange type | UER 70 (I.E.C.) |
| Finish | goldplated upon silverplated,
covers black |
| Weight | 920 g |

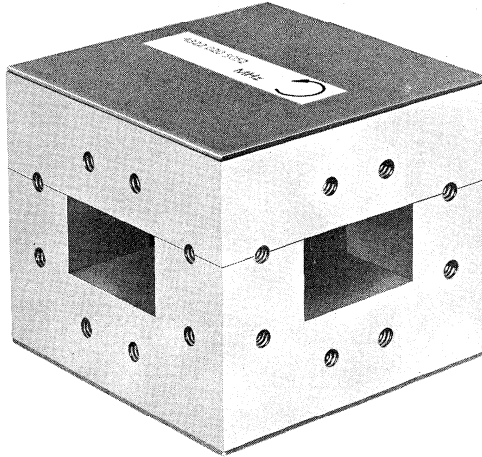


Dimensions in mm



Typical performance as a function of frequency at a working temperature of 20 °C.

CIRCULATOR



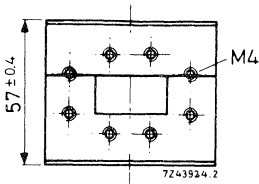
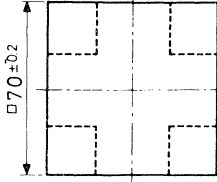
RZ 21478-1.1

ELECTRICAL DATA

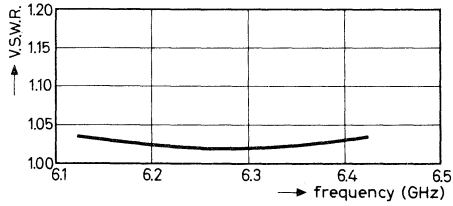
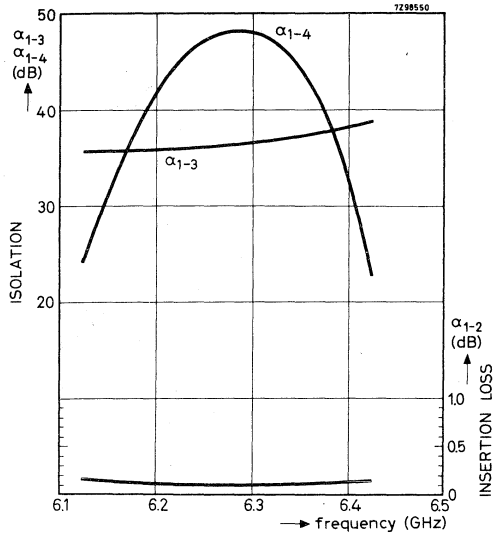
| | |
|-------------------------------|---------------------------------------------|
| Frequency range | 6.125–6.425 GHz |
| Isolation α_{1-3} | > 30 dB |
| α_{1-4} | > 20 dB |
| Insertion loss α_{1-2} | < 0.1 dB |
| V.S.W.R. | < 1.06 |
| Nominal power (c.w.) | 150 W |
| Temperature range | +10 to +60 °C |
| | For other temperature ranges please inquire |

MECHANICAL DATA

| | |
|--------------|-----------------------------------------------|
| Construction | waveguide 4 port |
| Material | brass |
| Flange type | UER 70 (I.E.C.) |
| Finish | goldplated upon silverplated,
covers black |
| Weight | 920 g |



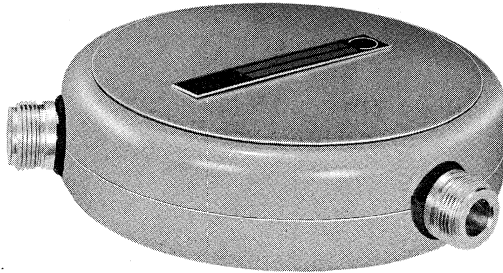
Dimensions in mm



Typical performance as a function of frequency at a working temperature of 20 °C.

CIRCULATOR

RZ 21478-9

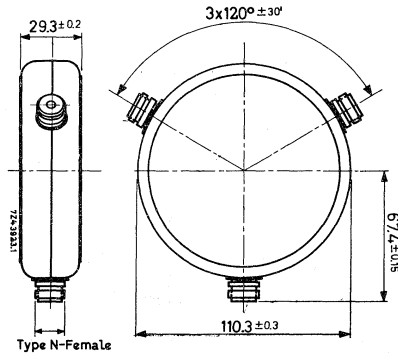


ELECTRICAL DATA

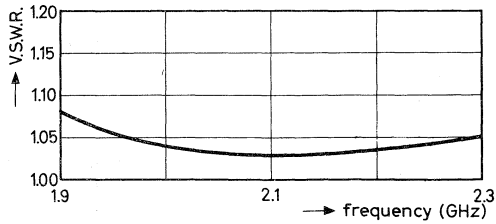
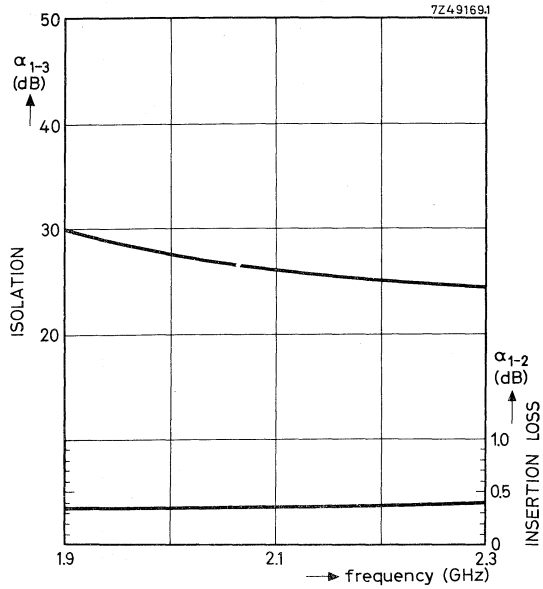
| | |
|-------------------------------|---------------------------------------------|
| Frequency range | 1.9-2.3 GHz |
| Isolation α_{1-3} | > 20 dB |
| Insertion loss α_{1-2} | < 0.75 dB |
| V.S.W.R. | < 1.15 |
| Nominal power (c.w.) | 50 W |
| Temperature range | -10 to +80 °C |
| | For other temperature ranges please inquire |

MECHANICAL DATA

| | |
|--------------|---------------------------------------------------------|
| Construction | coaxial 3 port |
| Terminations | type N-female |
| Finish | connectors silverplated,
body outside enamelled grey |
| Weight | 600 g |



Dimensions in mm

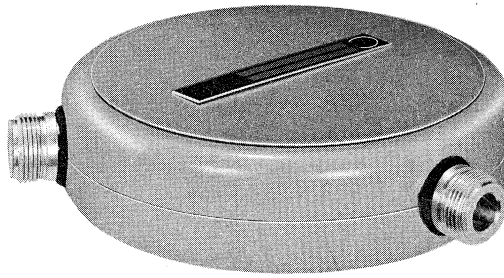


Typical performance as a function of frequency at a working temperature of 20 °C.



CIRCULATOR

RZ 21478-9

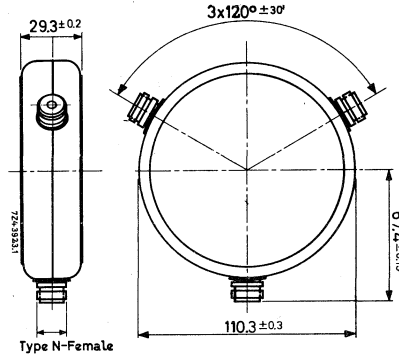


ELECTRICAL DATA

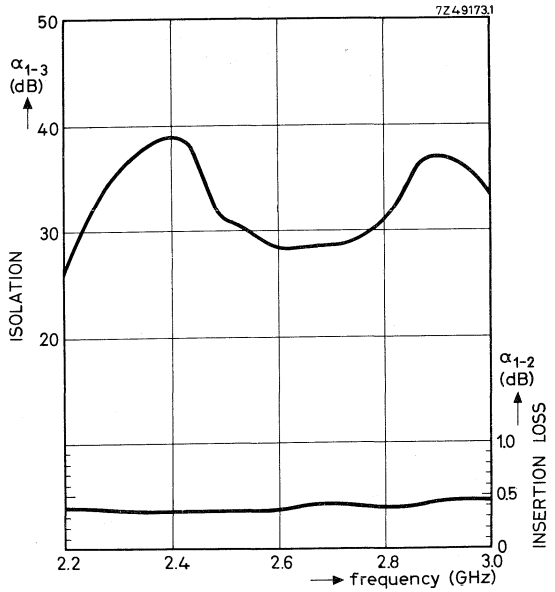
| | |
|-------------------------------|---------------------------------------------|
| Frequency range | 2.2-3.0 GHz |
| Isolation α_{1-3} | > 20 dB |
| Insertion loss α_{1-2} | < 0.6 dB |
| V.S.W.R. | < 1.2 |
| Nominal power (c.w.) | 50 W |
| Temperature range | -10 to +80 °C |
| | For other temperature ranges please inquire |

MECHANICAL DATA

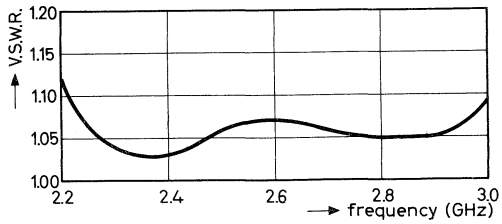
| | |
|--------------|---------------------------------------------------------|
| Construction | coaxial 3 port |
| Terminations | type N-female |
| Finish | connectors silverplated,
body outside enamelled grey |
| Weight | 600 g |



Dimensions in mm

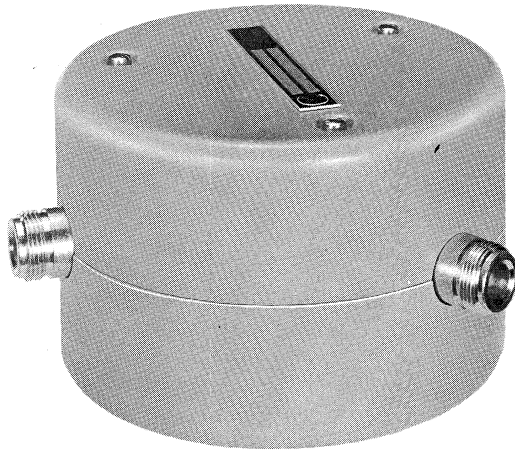


Typical performance as a function of frequency at a working temperature of 20°C .



CIRCULATOR

RZ 21478-8

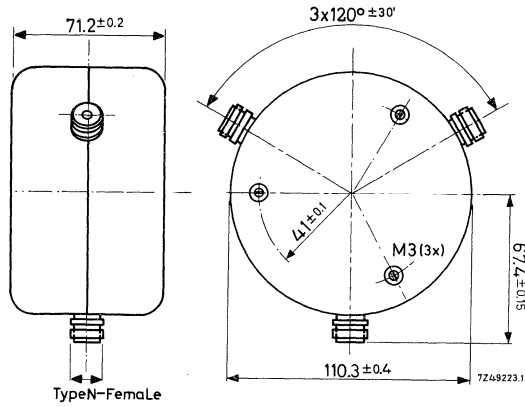


ELECTRICAL DATA

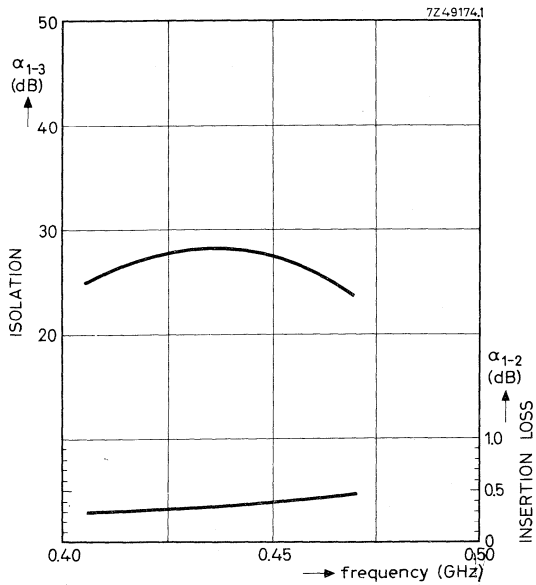
| | |
|-------------------------------|---------------------------------------------|
| Frequency range | 0.406-0.470 GHz |
| Isolation α_{1-3} | > 20 dB |
| Insertion loss α_{1-2} | < 0.6 dB |
| V.S.W.R. | < 1.2 |
| Nominal power (c.w.) | 100 W |
| Temperature range | -10 to +80 °C |
| | For other temperature ranges please inquire |

MECHANICAL DATA

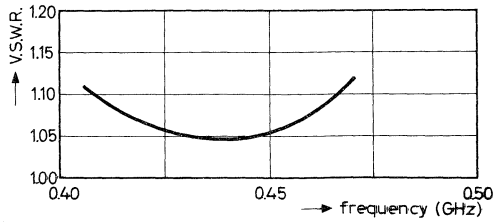
| | |
|--------------|---------------------------------------------------------|
| Construction | coaxial 3 port |
| Terminations | type N-female |
| Finish | connectors silverplated,
body outside enamelled grey |
| Weight | 2080 g |



Dimensions in mm

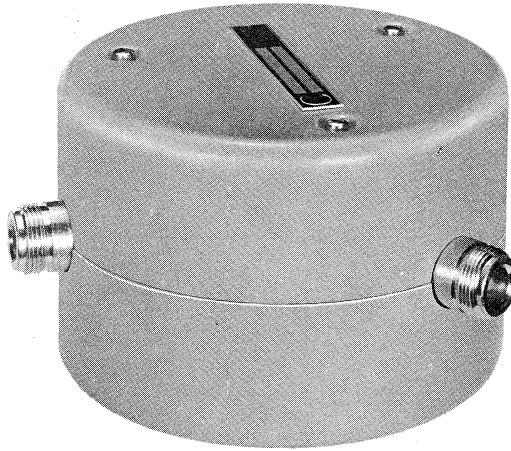


Typical performance as a function of frequency at a working temperature of 20°C .



CIRCULATOR

RZ 21478-8

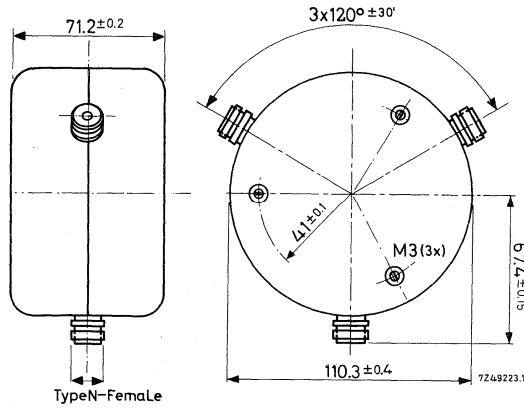


ELECTRICAL DATA

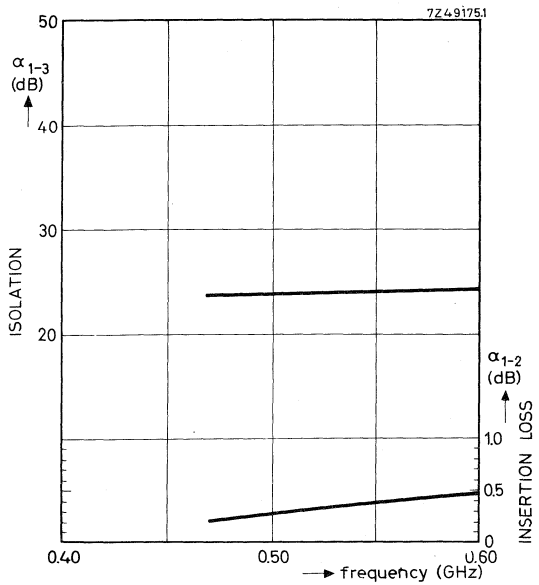
| | |
|------------------------------|---------------------------------------------|
| Frequency range | 0.47-0.60 GHz |
| Isolation α_1 -3 | > 20 dB |
| Insertion loss α_1 -2 | < 0.6 dB |
| V.S.W.R. | < 1.2 |
| Nominal power (c.w.) | 100 W |
| Temperature range | -10 to +80 °C |
| | For other temperature ranges please inquire |

MECHANICAL DATA

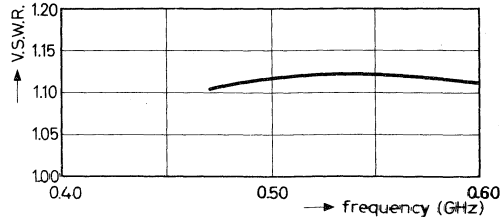
| | |
|--------------|---------------------------------------------------------|
| Construction | coaxial 3 port |
| Terminations | type N-female |
| Finish | connectors silverplated,
body outside enamelled grey |
| Weight | 2080 g |



Dimensions in mm

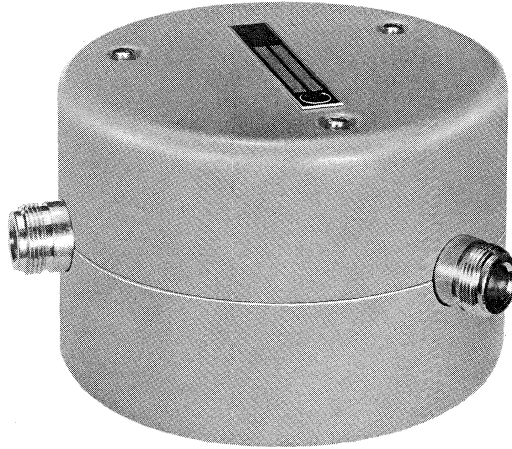


Typical performance as a function of frequency at a working temperature of 20°C .



CIRCULATOR

RZ 21478-8

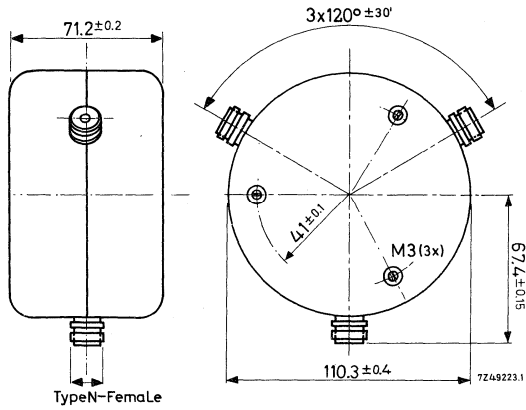


ELECTRICAL DATA

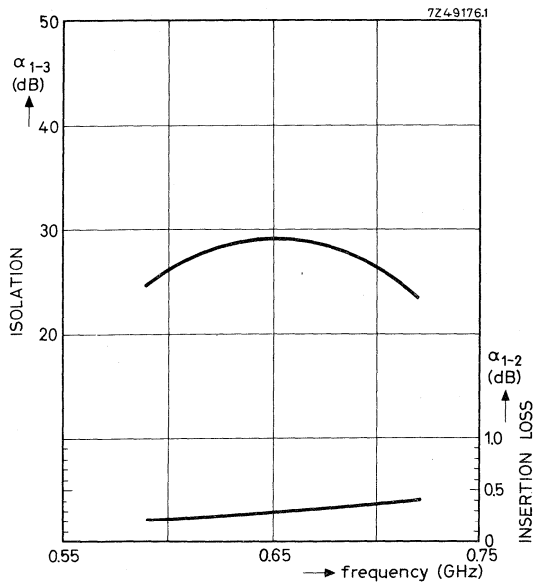
| | |
|-------------------------------|---------------------------------------------|
| Frequency range | 0.59-0.72 GHz |
| Isolation α_{1-3} | > 20 dB |
| Insertion loss α_{1-2} | < 0.6 dB |
| V.S.W.R. | < 1.2 |
| Nominal power (c.w.) | 100 W |
| Temperature range | -10 to +80 °C |
| | For other temperature ranges please inquire |

MECHANICAL DATA

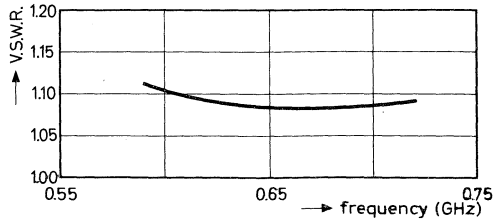
| | |
|--------------|---------------------------------------------------------|
| Construction | coaxial 3 port |
| Terminations | type N-female |
| Finish | connectors silverplated,
body outside enamelled grey |
| Weight | 2080 g |



Dimensions in mm

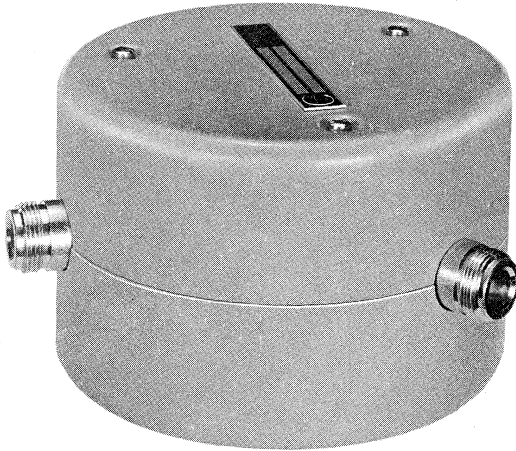


Typical performance as a function of frequency at a working temperature of 20 °C.



CIRCULATOR

RZ 21478-8

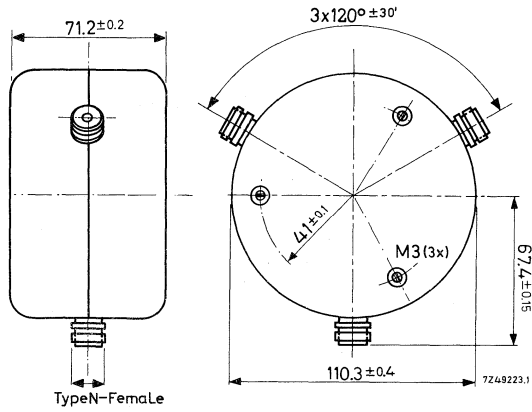


ELECTRICAL DATA

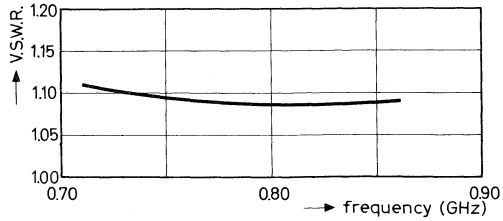
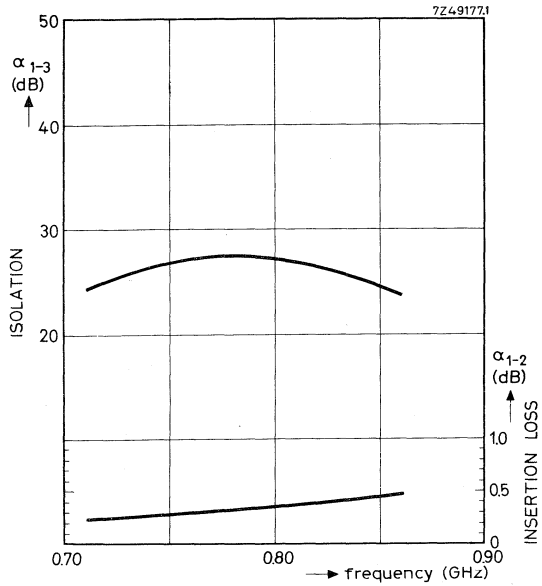
| | |
|-------------------------------|---------------------------------------------|
| Frequency range | 0.71-0.86 GHz |
| Isolation α_{1-3} | > 20 dB |
| Insertion loss α_{1-2} | < 0.6 dB |
| V.S.W.R. | < 1.2 |
| Nominal power (c.w.) | 100 W |
| Temperature range | -10 to +80 °C |
| | For other temperature ranges please inquire |

MECHANICAL DATA

| | |
|--------------|---------------------------------------------------------|
| Construction | coaxial 3 port |
| Terminations | type N-female |
| Finish | connectors silverplated,
body outside enamelled grey |
| Weight | 2080 g |



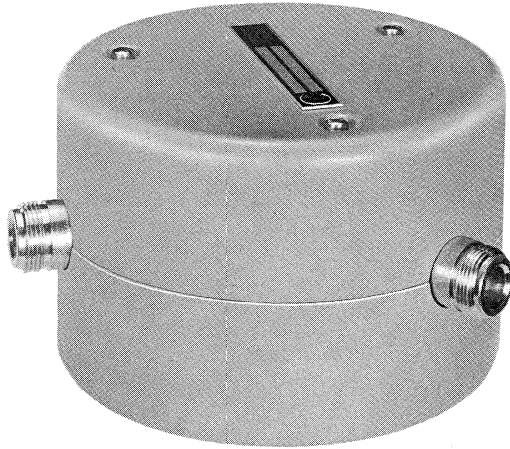
Dimensions in mm



Typical performance as a function of frequency at a working temperature of 20°C .

CIRCULATOR

RZ 21478-8



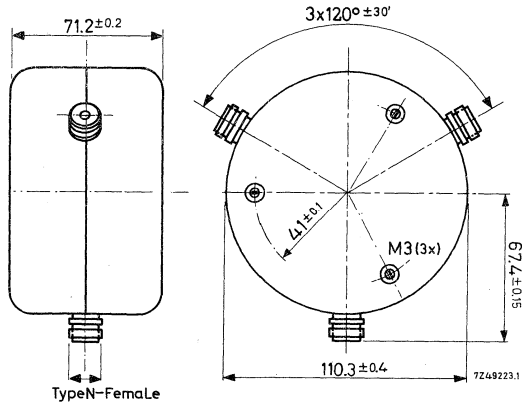
ELECTRICAL DATA

| | |
|------------------------------|---------------|
| Frequency range | 0.45-0.55 GHz |
| Isolation α_1 -3 | > 20 dB |
| Insertion loss α_1 -2 | < 0.6 dB |
| V.S.W.R. | < 1.2 |
| Nominal power (c.w.) | 100 W |
| Temperature range | -10 to +80 °C |

For other temperature ranges please inquire

MECHANICAL DATA

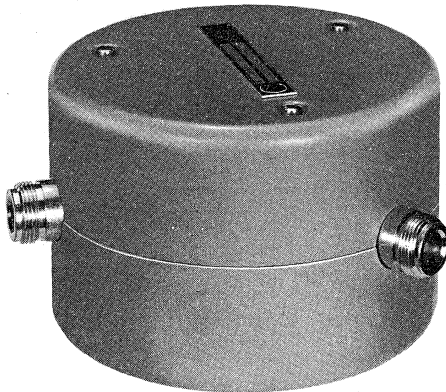
| | |
|--------------|---------------------------------------------------------|
| Construction | coaxial 3 port |
| Terminations | type N-female |
| Finish | connectors silverplated,
body outside enamelled grey |
| Weight | 2080 g |



Dimensions in mm

CIRCULATOR

RZ 21478-8

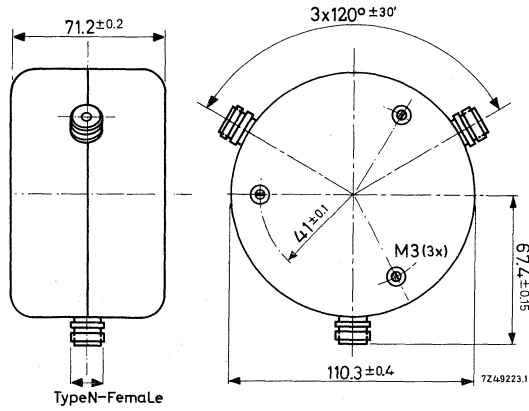


ELECTRICAL DATA

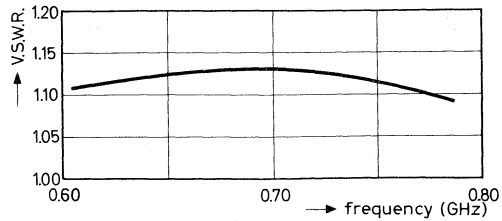
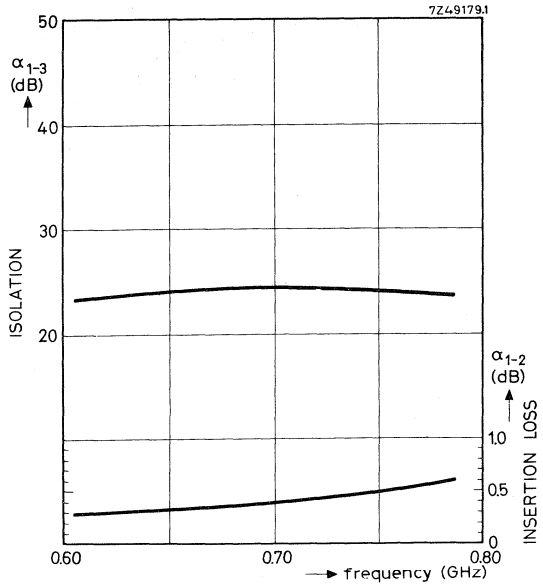
| | |
|-----------------------------|---------------------------------------------|
| Frequency range | 0.608-0.783 GHz |
| Isolation α_1-3 | > 20 dB |
| Insertion loss α_1-2 | < 0.75 dB |
| V.S.W.R. | < 1.2 |
| Nominal power (c.w.) | 100 W |
| Temperature range | -10 to +80 °C |
| | For other temperature ranges please inquire |

MECHANICAL DATA

| | |
|--------------|--------------------------------------------------------|
| Construction | coaxial 3 port |
| Terminations | type N-female |
| Finish | connectors silverplated
body outside enamelled grey |
| Weight | 2080 g |

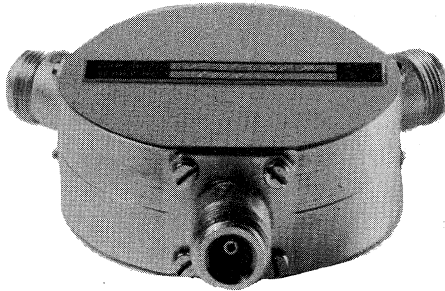


Dimensions in mm



Typical performance as a function of frequency at a working temperature of 20 °C.

CIRCULATOR



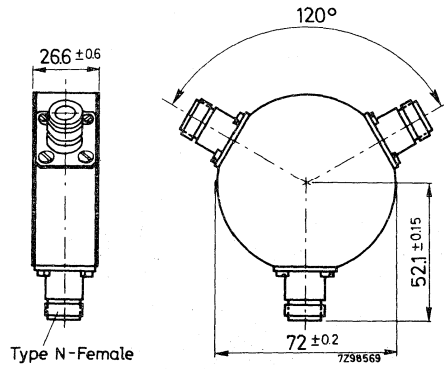
RZ 22967-1

ELECTRICAL DATA

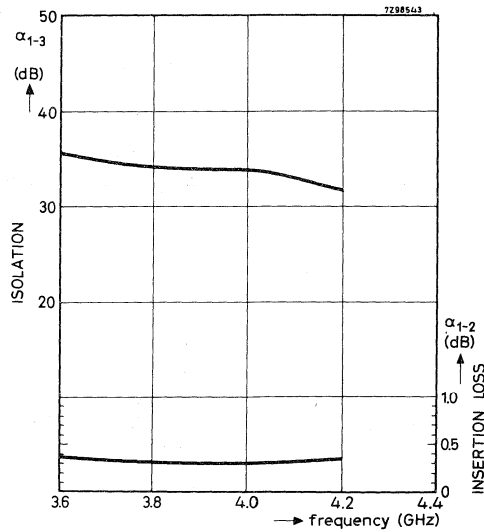
| | |
|-------------------------------|---------------------------------------------|
| Frequency range | 3.6-4.2 GHz |
| Isolation α_{1-3} | > 25 dB |
| Insertion loss α_{1-2} | < 0.5 dB |
| V.S.W.R. | < 1.15 |
| Nominal power (c.w.) | 50 W |
| Temperature range | +10 to +70 °C |
| | For other temperature ranges please inquire |

MECHANICAL DATA

| | |
|--------------|---------------------------------------------|
| Construction | coaxial 3 port |
| Material | brass |
| Terminations | type N-female |
| Finish | silverplated,
top and bottom cover black |
| Weight | 550 g |

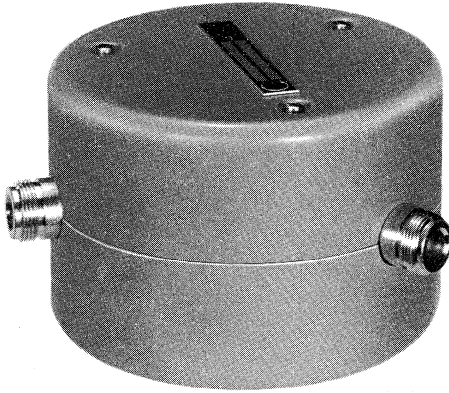


Dimensions in mm



Typical performance as a function of frequency at a working temperature of 20°C

CIRCULATOR



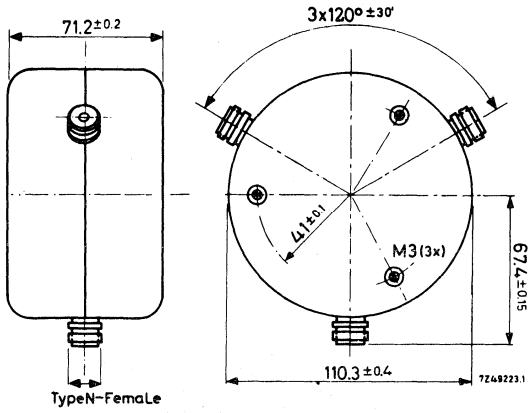
RZ 21478-8

ELECTRICAL DATA

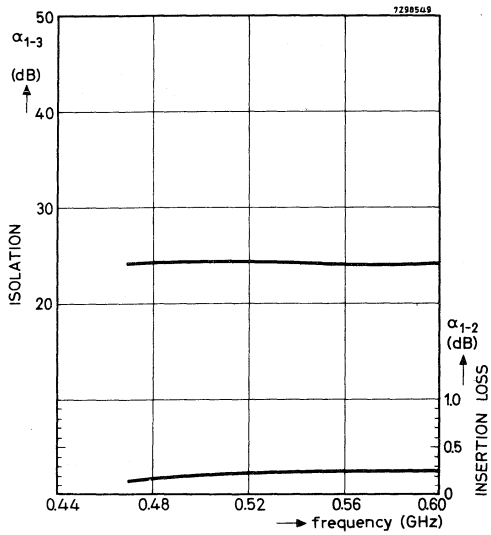
| | |
|-------------------------------|---------------------------------------------|
| Frequency range | 0.47-0.60 GHz |
| Isolation α_{1-3} | > 22 dB |
| Insertion loss α_{1-2} | < 0.35 dB |
| V.S.W.R. | < 1.2 |
| Nominal power (c.w.) | 500 W |
| Temperature range | -10 to +70 °C |
| | For other temperature ranges please inquire |

MECHANICAL DATA

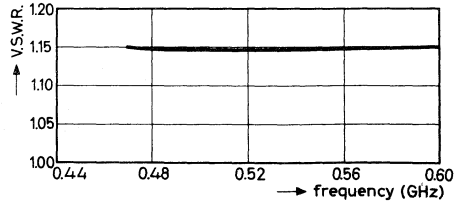
| | |
|--------------|----------------------------------------------------|
| Construction | coaxial 3 port |
| Terminations | type N-female |
| Finish | connectors silverplated,
outside enamelled grey |
| Weight | 2080 g |



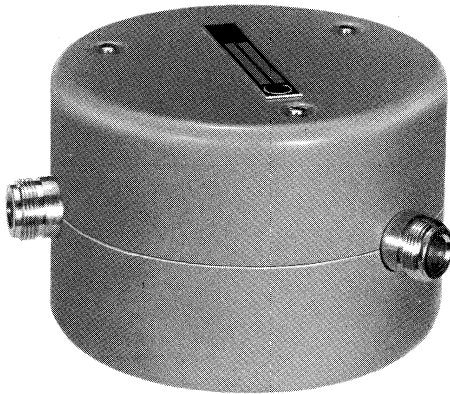
Dimensions in mm



Typical performance as a function of frequency at a working temperature of 20 °C.



CIRCULATOR



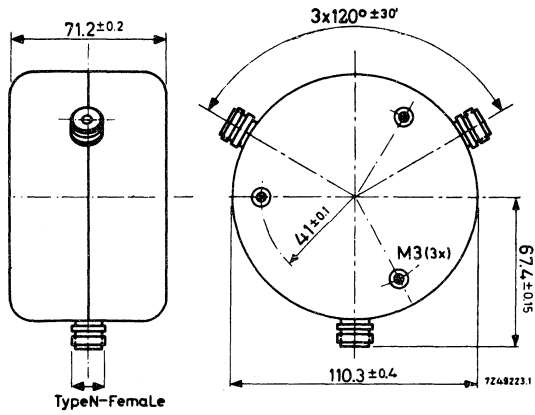
RZ 21478-8

ELECTRICAL DATA

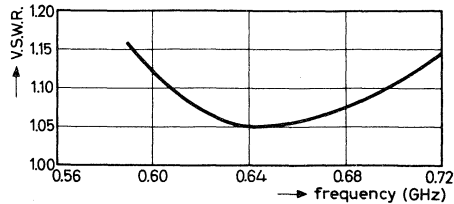
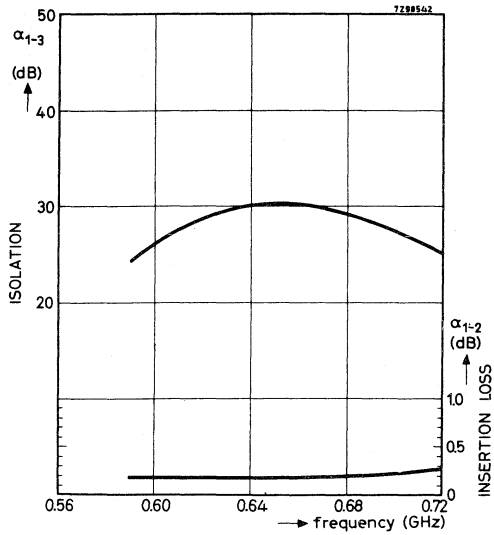
| | |
|-------------------------------|---------------------------------------------|
| Frequency range | 0.59-0.72 GHz |
| Isolation α_{1-3} | > 22 dB |
| Insertion loss α_{1-2} | < 0.35 dB |
| V.S.W.R. | < 1.2 |
| Nominal power (c.w.) | 500 W |
| Temperature range | -10 to +70 °C |
| | For other temperature ranges please inquire |

MECHANICAL DATA

| | |
|--------------|----------------------------------------------------|
| Construction | coaxial 3 port |
| Terminations | type N-female |
| Finish | connectors silverplated,
outside enamelled grey |
| Weight | 2080 g |

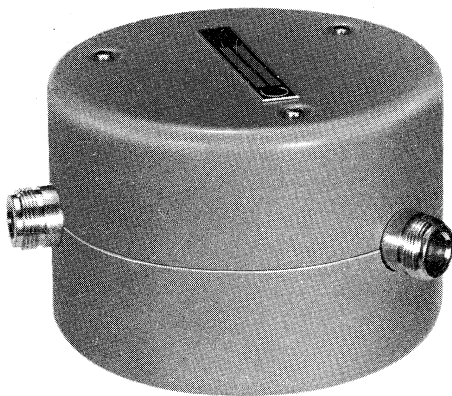


Dimensions in mm



Typical performance as a function of frequency at a working temperature of 20 °C.

CIRCULATOR



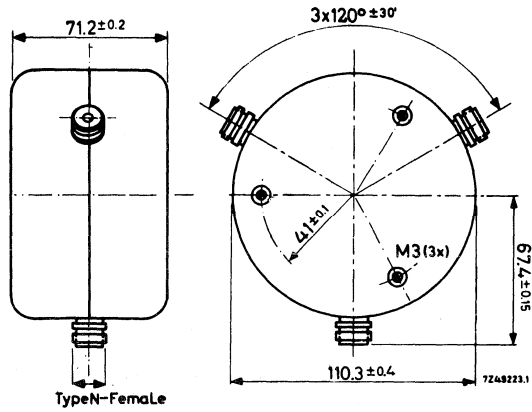
RZ 21478-8

ELECTRICAL DATA

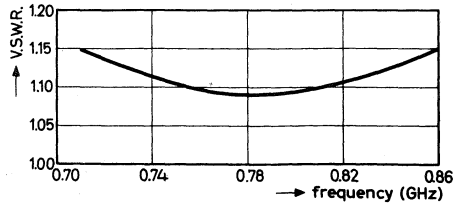
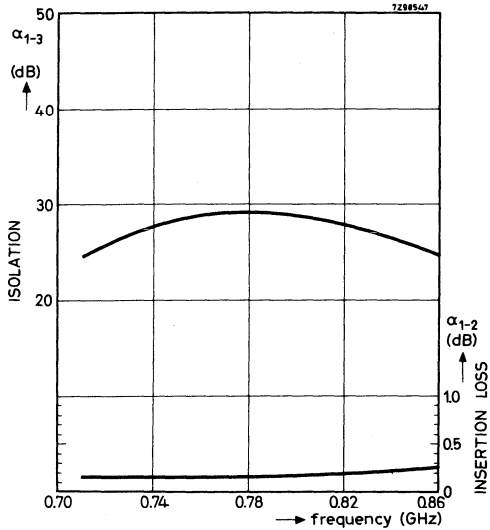
| | |
|-------------------------------|---------------------------------------------|
| Frequency range | 0.71-0.86 GHz |
| Isolation α_{1-3} | > 22 dB |
| Insertion loss α_{1-2} | < 0.35 dB |
| V.S.W.R. | < 1.2 |
| Nominal power (c.w.) | 500 W |
| Temperature range | -10 to +70 °C |
| | For other temperature ranges please inquire |

MECHANICAL DATA

| | |
|--------------|----------------------------------------------------|
| Construction | coaxial 3 port |
| Terminations | type N-female |
| Finish | connectors silverplated,
outside enamelled grey |
| Weight | 2080 g |

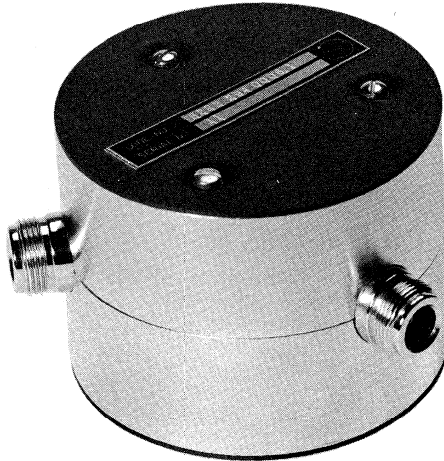


Dimensions in mm



Typical performance as a function of frequency at a working temperature of 20 °C.

CIRCULATOR



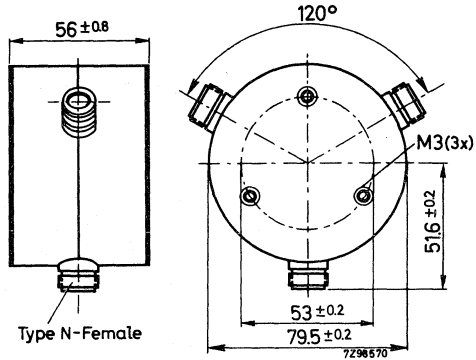
RZ 24733-1

ELECTRICAL DATA

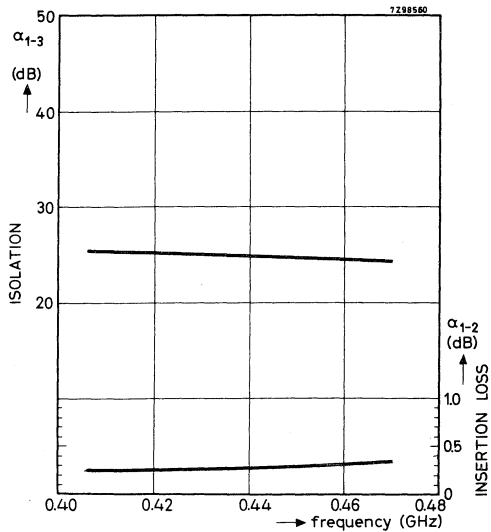
| | |
|-------------------------------|---------------------------------------------|
| Frequency range | 0.406-0.470 GHz |
| Isolation α_{1-3} | > 20 dB |
| Insertion loss α_{1-2} | < 0.40 dB |
| V.S.W.R. | < 1.2 |
| Nominal power (c.w.) | 100 W |
| Temperature range | +10 to +70 °C |
| | For other temperature ranges please inquire |

MECHANICAL DATA

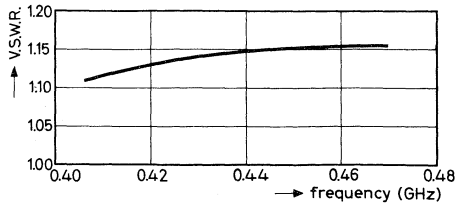
| | |
|--------------|----------------------------|
| Construction | coaxial 3 port |
| Terminations | type N-female |
| Finish | silverplated |
| | top and bottom cover black |
| Weight | 1200 g |



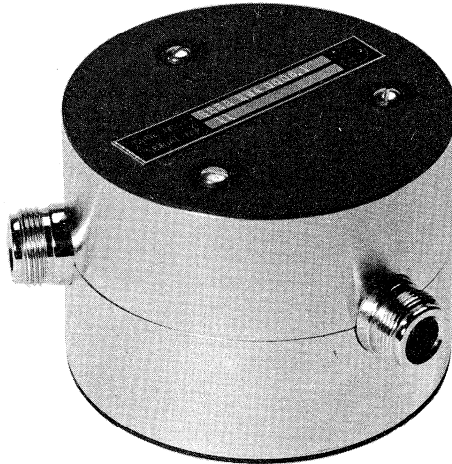
Dimensions in mm



Typical performance as a function of frequency at a working temperature of 20 °C.



CIRCULATOR



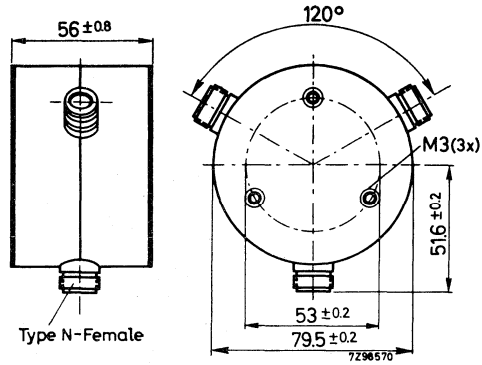
RZ 24733-1

ELECTRICAL DATA

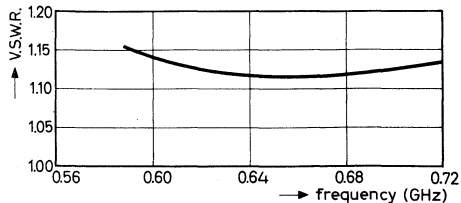
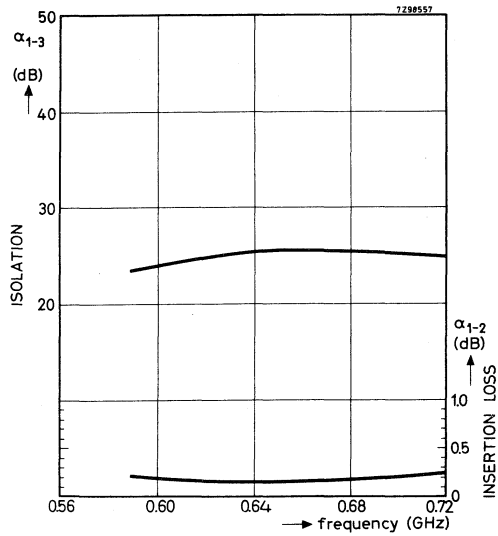
| | |
|-------------------------------|---------------------------------------------|
| Frequency range | 0.59-0.72 GHz |
| Isolation α_{1-3} | > 22 dB |
| Insertion loss α_{1-2} | < 0.35 dB |
| V.S.W.R. | < 1.2 |
| Nominal power (c.w.) | 100 W |
| Temperature range | +10 to +70 °C |
| | For other temperature ranges please inquire |

MECHANICAL DATA

| | |
|--------------|----------------------------|
| Construction | coaxial 3 port |
| Terminations | type N-female |
| Finish | silverplated |
| | top and bottom cover black |
| Weight | 1200 g |

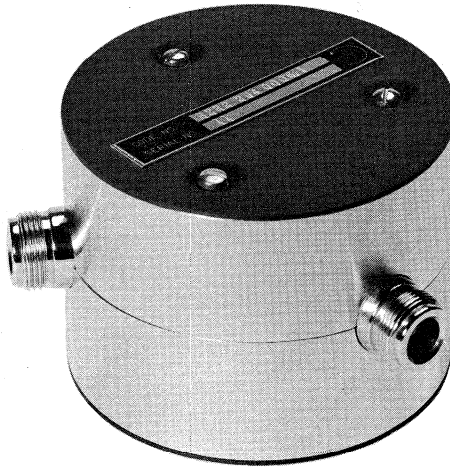


Dimensions in mm



Typical performance as a function of frequency at a working temperature of 20 °C.

CIRCULATOR



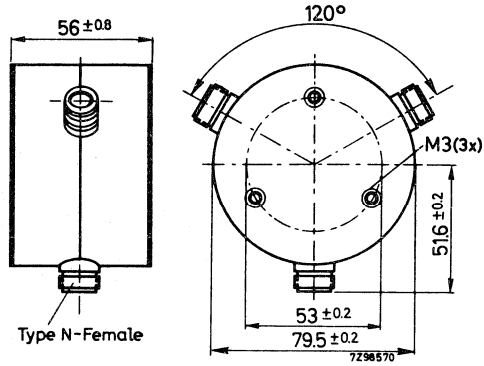
RZ 24733-1

ELECTRICAL DATA

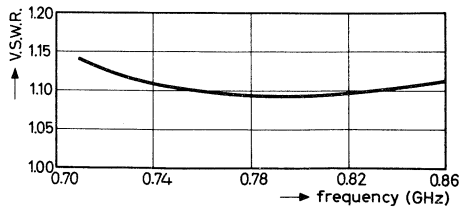
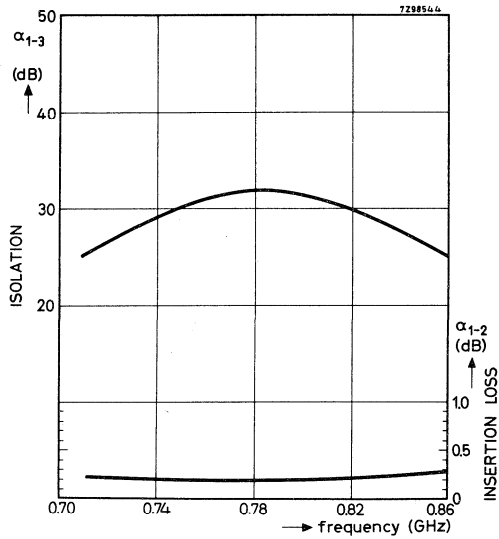
| | |
|-------------------------------|---------------------------------------------|
| Frequency range | 0.71-0.86 GHz |
| Isolation α_{1-3} | > 22 dB |
| Insertion loss α_{1-2} | < 0.35 dB |
| V.S.W.R. | < 1.2 |
| Nominal power (c.w.) | 100 W |
| Temperature range | +10 to +70 °C |
| | For other temperature ranges please inquire |

MECHANICAL DATA

| | |
|--------------|----------------------------|
| Construction | coaxial 3 port |
| Terminations | type N-female |
| Finish | silverplated |
| | top and bottom cover black |
| Weight | 1200 g |

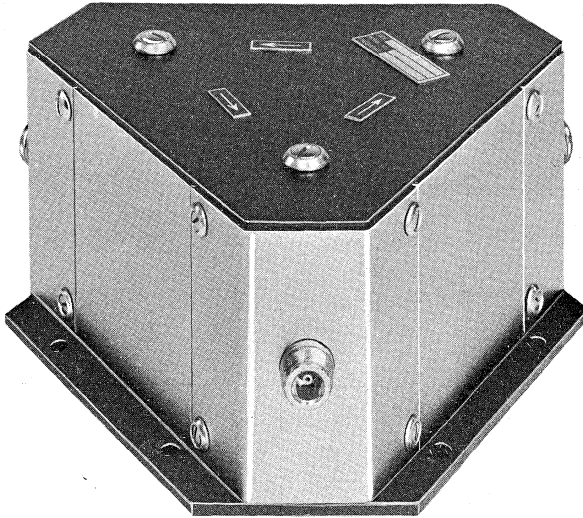


Dimensions in mm



Typical performance as a function of frequency at a working temperature of 20 °C.

CIRCULATOR



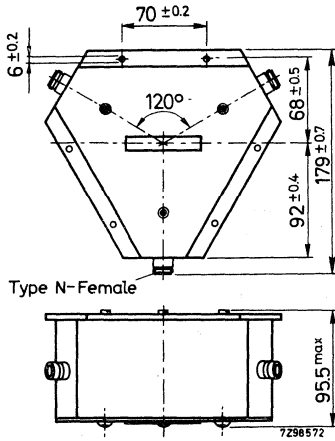
RZ 25233-1

ELECTRICAL DATA

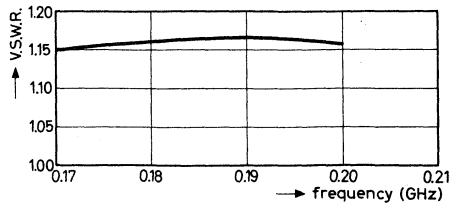
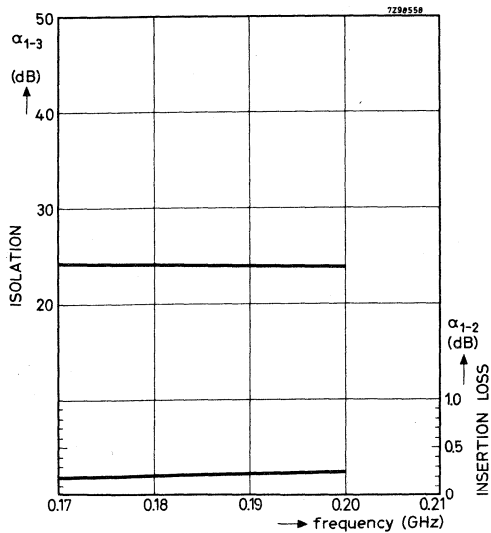
| | |
|-------------------------------|---------------------------------------------|
| Frequency range | 0.17-0.20 GHz |
| Isolation α_{1-3} | > 20 dB |
| Insertion loss α_{1-2} | < 0.40 dB |
| V.S.W.R. | < 1.2 |
| Nominal power (c.w.) | 500 W |
| Temperature range | +10 to +100 °C |
| | For other temperature ranges please inquire |

MECHANICAL DATA

| | |
|--------------|----------------------------------------------|
| Construction | coaxial 3 port |
| Terminations | type N-female |
| Finish | body nickelplated
connectors silverplated |
| Weight | top and bottom cover black
6400 g |

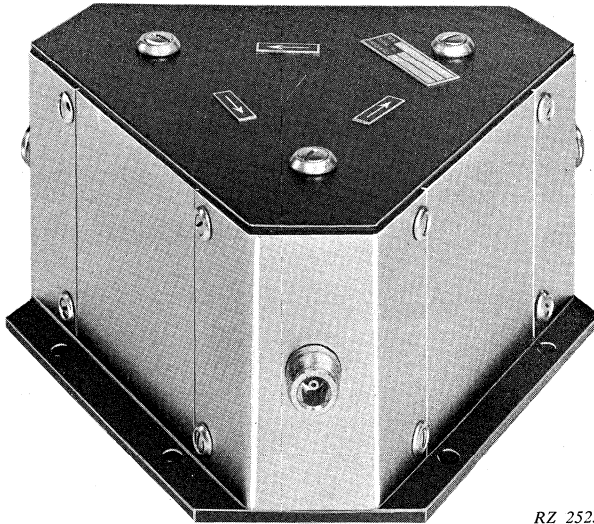


Dimensions in mm



Typical performance as a function of frequency at a working temperature of 20 °C.

CIRCULATOR



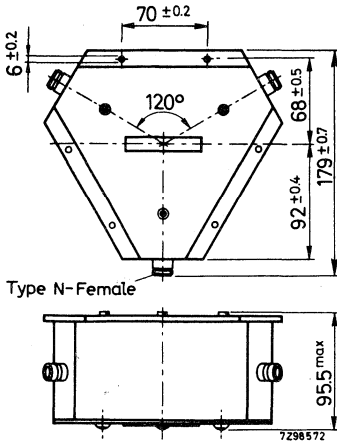
RZ 25233-1

ELECTRICAL DATA

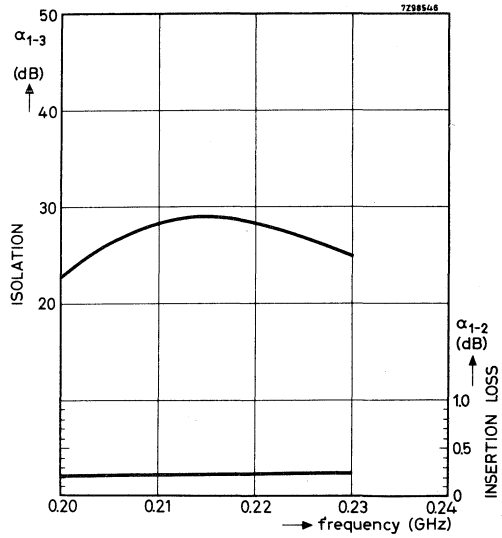
| | |
|-------------------------------|---------------------------------------------|
| Frequency range | 0.20-0.23 GHz |
| Isolation α_{1-3} | > 20 dB |
| Insertion loss α_{1-2} | < 0.40 dB |
| V.S.W.R. | < 1.2 |
| Nominal power (c.w.) | 500 W |
| Temperature range | +10 to +100 °C |
| | For other temperature ranges please inquire |

MECHANICAL DATA

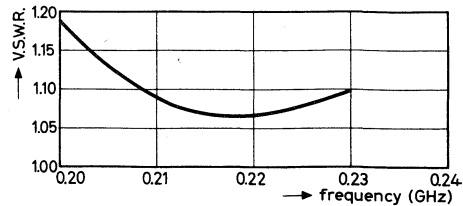
| | |
|--------------|----------------------------------------------------------------------------|
| Construction | coaxial 3 port |
| Terminations | type N-female |
| Finish | body nickelplated
connectors silverplated
top and bottom cover black |
| Weight | 6400 g |



Dimensions in mm



Typical performance as a function of frequency at a working temperature of 20 °C.



COAXIAL 3-PORT CIRCULATOR

Frequency 370 to 402 MHz

DIMENSIONS (in mm)

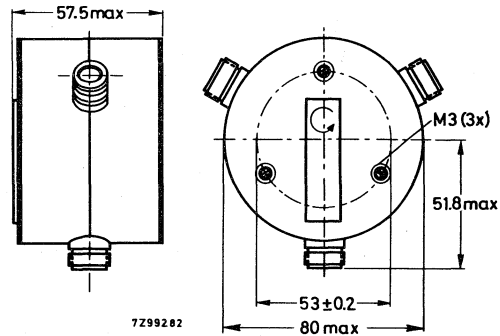


Fig.1

ELECTRICAL DATA

| | |
|-------------------------------|------------------------------------------------|
| Frequency range | 370 to 402 MHz |
| Isolation α_{1-3} | > 20 dB |
| Insertion loss α_{1-2} | < 0.3 dB |
| V.S.W.R. | < 1.2 |
| Maximum power | 100 W |
| Temperature range | -10 to +70 °C. |
| | For other temperature ranges
please inquire |

MECHANICAL DATA

| | |
|---------------------|----------------------|
| Connector type | N female 50 Ω |
| Finish of connector | silver plated |
| Colour of housing | silver |
| top and bottom face | black |
| Weight | 1200 g |

Typical performance as a function of frequency at an operating temperature of 20 °C

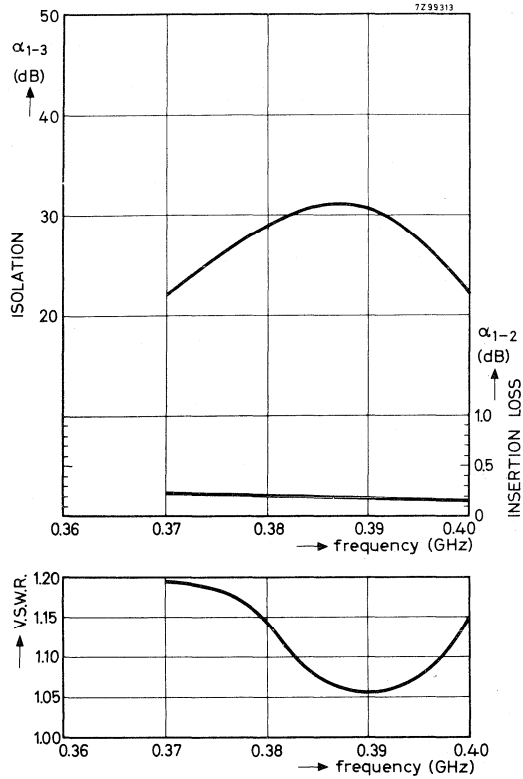


Fig. 2

COAXIAL 3-PORT CIRCULATOR

Frequency 445 to 485 MHz

DIMENSIONS (in mm)

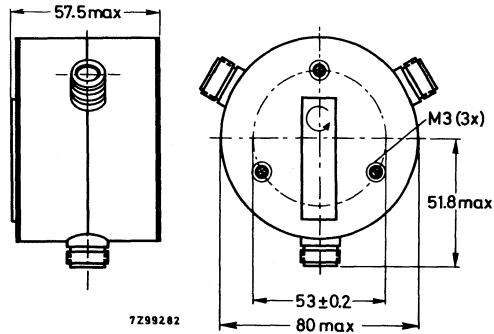


Fig. 1

ELECTRICAL DATA

| | |
|-------------------------------|------------------------------------------------|
| Frequency range | 445 to 485 MHz |
| Isolation α_{1-3} | > 22 dB |
| Insertion loss α_{1-2} | < 0.3 dB |
| V.S.W.R. | < 1.2 |
| Maximum power | 100 W |
| Temperature range | -10 to +70 °C |
| | For other temperature ranges
please inquire |

MECHANICAL DATA

| | |
|---------------------|----------------------|
| Connector type | N female 50 Ω |
| Finish of connector | silver plated |
| Colour of housing | silver |
| top and bottom face | black |
| Weight | 1200 g |

COAXIAL 3-PORT CIRCULATOR

Frequency 710 to 860 MHz

DIMENSIONS (in mm)

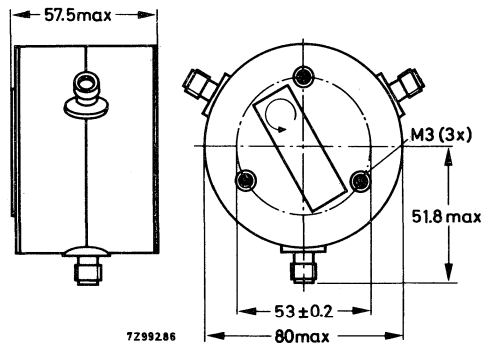


Fig.1

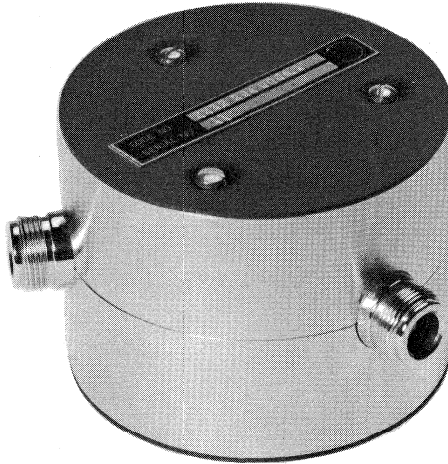
ELECTRICAL DATA

| | |
|-------------------------------|------------------------------------------------|
| Frequency range | 710 to 860 MHz |
| Isolation α_{1-3} | > 22 dB |
| Insertion loss α_{1-2} | < 0.35 dB |
| V.S.W.R. | < 1.2 |
| Maximum power | 100 W |
| Temperature range | +10 to +70 °C |
| | For other temperature ranges
please inquire |

MECHANICAL DATA

| | |
|---------------------|------------------------|
| Connector type | TNC female 50 Ω |
| Finish of connector | silver plated |
| Colour of housing | silver |
| | top and bottom face |
| | black |
| Weight | 1200 g |

CIRCULATOR



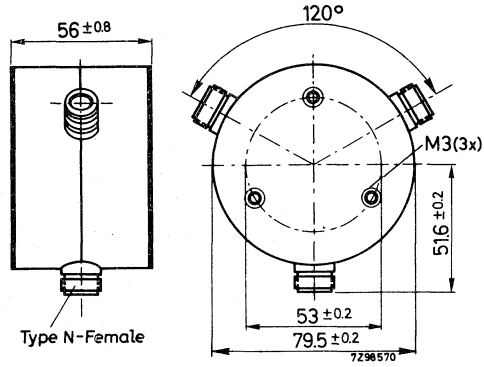
RZ 24733-1

ELECTRICAL DATA

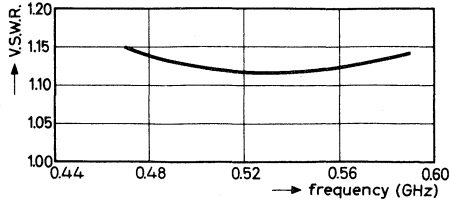
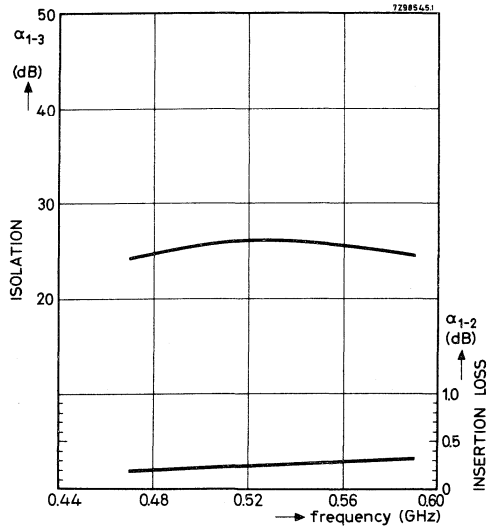
| | |
|-------------------------------|---------------------------------------------|
| Frequency range | 0.47-0.59 GHz |
| Isolation α_{1-3} | > 22 dB |
| Insertion loss α_{1-2} | < 0.35 dB |
| V.S.W.R. | < 1.2 |
| Nominal power (c.w.) | 100 W |
| Temperature range | +10 to +70 °C |
| | For other temperature ranges please inquire |

MECHANICAL DATA

| | |
|--------------|----------------------------|
| Construction | coaxial 3 port |
| Terminations | type N-female |
| Finish | silverplated |
| | top and bottom cover black |
| Weight | 1200 g |



Dimensions in mm



Typical performance as a function of frequency at a working temperature of 20 °C.

INDEX OF TYPE NUMBERS

| Type No. | Section | Type No. | Section | Type No. | Section |
|----------|---------|----------|---------|----------------|------------|
| DX206 | MH | YJ1110 | CM | 5J26 | CM |
| EA52 | D | YJ1111 | CM | 723A/B | K |
| EA53 | D | YJ1120 | CM | 725A | CM |
| EC55 | T | YJ1121 | CM | 5586 | CM |
| EC157 | T | YJ1140 | CM | 5876 | T |
| EC158 | T | YJ1160 | MH | 5876A | T |
| JP9-2.5D | CM | YJ1162 | MH | 5893 | T |
| JP9-2.5E | CM | YJ1190 | MH | 6027H | See YJ1060 |
| JP9-7A | CM | YJ1191 | MH | 6263 | T |
| JP9-7D | CM | YJ1200 | CM | 6263A | T |
| JP9-15 | CM | YJ1280 | MH | 6264 | T |
| JP9-15B | CM | YJ1290 | CM | 6264A | T |
| JP9-18 | CM | YJ1300 | CM | 6972 | CM |
| JPT9-01 | CM | YK1000 | PK | 7028 | CM |
| KS9-20B | K | YK1001 | PK | 7090 | MH |
| KS9-20D | K | YK1002 | PK | 7093 | CM |
| KS9-40 | K | YK1004 | PK | 7289 | T |
| KS9-40D | K | YK1005 | PK | 7537 | TWT |
| LB6-25 | TWT | YK1010 | K | 8020 | D |
| YD1050 | T | YK1090 | K | 8108 | T |
| YH1090 | TWT | YK1091 | K | 55029 | CM |
| YH1170 | TWT | YK1110 | PK | 55030 | CM |
| YJ1000 | CM | 2C39A | T | 55031/01 | CM |
| YJ1010 | CM | 2C39BA | T | 55031/02 | CM |
| YJ1011 | CM | 2J42 | CM | 55032/01 | CM |
| YJ1020 | CM | 2J51A | CM | 55032/02 | CM |
| YJ1021 | CM | 2J55 | CM | 55335 | K |
| YJ1030 | CM | 2K25 | K | 55340 | TWT |
| YJ1060 | CM | 4J50 | CM | 56032 | T-RS |
| YJ1071 | CM | 4J52A | CM | 2722 161 01011 | App |

App = Appendix

CM = Communication magnetrons

D = Diodes

MH = Magnetrons for micro-wave heating

K = Klystrons

PK = Power klystrons

T = Triodes

T-RS = T-R Switches

TWT = Travelling-wave tubes

| Type No. | Section | Type No. | Section |
|----------------|---------|----------------|---------|
| 2722 161 01021 | App | 2722 162 01041 | App |
| 2722 161 01051 | App | 2722 162 01051 | App |
| 2722 161 01071 | App | 2722 162 01061 | App |
| 2722 161 01081 | App | 2722 162 01071 | App |
| 2722 161 01091 | App | 2722 162 01081 | App |
| 2722 161 01101 | App | 2722 162 01091 | App |
| 2722 161 01151 | App | 2722 162 01101 | App |
| 2722 161 01161 | App | 2722 162 01111 | App |
| 2722 161 01171 | App | 2722 162 01121 | App |
| 2722 161 01181 | App | 2722 162 01131 | App |
| 2722 161 01191 | App | 2722 162 01141 | App |
| 2722 161 01211 | App | 2722 162 01151 | App |
| 2722 161 01221 | App | 2722 162 01171 | App |
| 2722 161 01231 | App | 2722 162 01181 | App |
| 2722 161 01241 | App | 2722 162 01191 | App |
| 2722 161 01251 | App | 2722 162 01201 | App |
| 2722 161 01261 | App | 2722 162 01221 | App |
| 2722 161 01271 | App | 2722 162 01231 | App |
| 2722 161 01281 | App | 2722 162 01241 | App |
| 2722 161 01291 | App | 2722 162 01251 | App |
| 2722 161 02001 | App | 2722 162 02001 | App |
| 2722 161 02011 | App | 2722 162 02011 | App |
| 2722 161 02021 | App | 2722 162 02021 | App |
| 2722 161 02031 | App | 2722 162 02031 | App |
| 2722 161 02041 | App | 2722 162 02041 | App |
| 2722 161 02051 | App | | |
| 2722 161 02081 | App | | |
| 2722 161 02091 | App | | |
| 2722 161 02101 | App | | |
| 2722 161 03001 | App | | |
| 2722 161 03011 | App | | |
| 2722 161 03021 | App | | |
| 2722 161 03031 | App | | |
| 2722 161 03041 | App | | |
| 2722 161 03051 | App | | |
| 2722 161 03061 | App | | |
| 2722 161 03071 | App | | |
| 2722 161 03081 | App | | |
| 2722 161 03091 | App | | |
| 2722 162 01001 | App | | |

General section

Communication magnetrons

Magnetrons for micro-wave heating

Klystrons, high power

Klystrons, medium and low power

Travelling-wave tubes

Diodes

Triodes

T-R Switches

Appendix
